

1:72 Scale

ITEM NO.:87258



Jaguar A

フランス空軍ジャギュアA

法国美洲虎A攻击机

PLEASE READ BEFORE OPERATION!

- * Tools recommended as below: (Not included)
Adhesives; Paints; Side Cutters; Sharp Edged Pliers; Modeling Knife; Modeling File; Nippers; Drill; Scissors; Sand Paper; Soft Cloth; Cyanoacrylate Glue.
- * Make sure to read this instruction listed below before assembling.
- * The kit contains the small parts, they can be dangerous if swallowed by mistake, so keep them away from reach of children.
- * Cut the all parts off carefully and remove the waste parts into the garbage can.
- * More caution and care should be needed for cutting and handling the photo etched parts.
- * Make attention that some parts should be attached the decal when assembled.
- * During assembling, please tear up and throw away the plastic bags, or may cause the dangerous if wearing over head by children's mistake.
- * When using the adhesives and paints, please do not use them in the closed room or near the fire, also must be very careful to protect your eyes, face and clothes.
- * Adult supervised when assembled by children under 14 years old.

装配前请仔细阅读:

- * 推荐使用的模型工具(请自备):
专用模型胶水, 专用模型油漆, 水口剪刀, 长咀钳, 刀片, 锉刀, 镊子钳, 钻, 剪刀, 软布, 砂纸, 瞬间快干胶等。
- * 用水口剪刀或刀片小心切下所有塑胶零件和蚀刻片零件, 不要遗失小零件。
- * 切取蚀刻片时应特别注意防止利边划伤手指。
- * 用模型锉刀小心锉平所有零件表面的注射浇口。
- * 用适量的强力快干胶水粘合蚀刻片零件和金属轴, 切忌过量, 否则可能导致可动零件被粘住。
- * 注意某些零件表面需在装配时同步贴上水贴纸。
- * 制作时应远离幼儿并将包装袋及时收妥, 谨防小孩玩耍而引起意外。



cyanoacrylate glue
强力胶



weight
配重



make hole
钻孔



cut / remove
切除



option
选择



no cement
不涂胶水



decal
贴纸



bend
弯曲



repair
填补

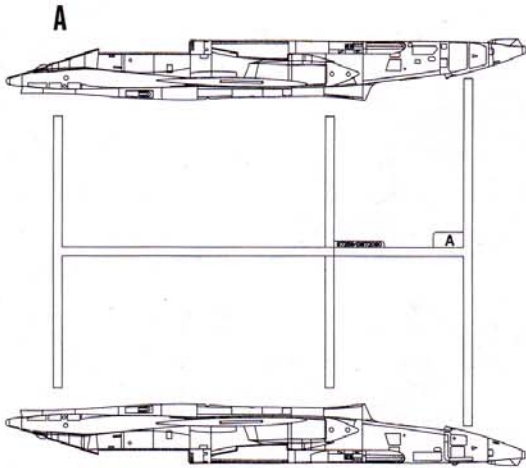
The method to apply the decals

1. Cut off the decal from the decal paper and put it into the warm water 40°C for 10 seconds.
2. Take the decal from the water and put it on a piece of clean cloth.
3. Remove the decal slowly from the paper to the targeted location by a wet finger.
4. Use a piece of dry and soft cloth to press it gently on the decal until it getting dry and no bubble existing.

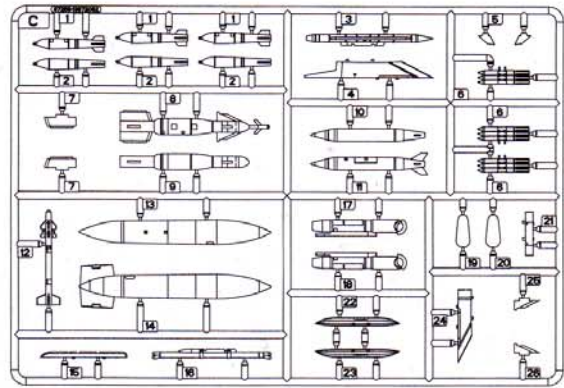
水贴纸的使用方法:

- 一. 把相关的印花从水贴上剪下, 放入40°C左右的温水中浸10秒。
- 二. 然后将印花放在干净的布上。
- 三. 拿上印花纸, 手指蘸水将印花移到适当的位置。
- 四. 用软干布轻压印花直至水干, 气泡消失。

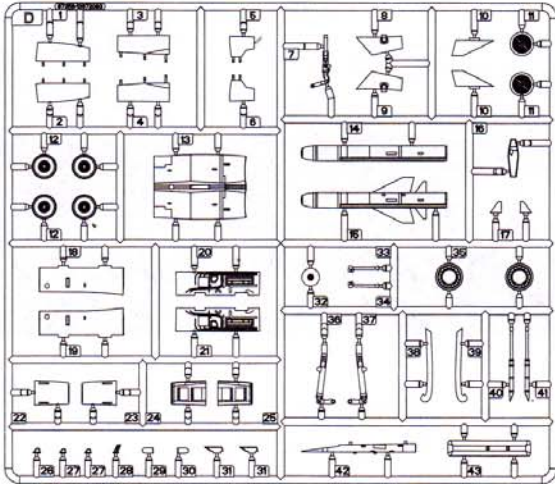
部品图
Parts



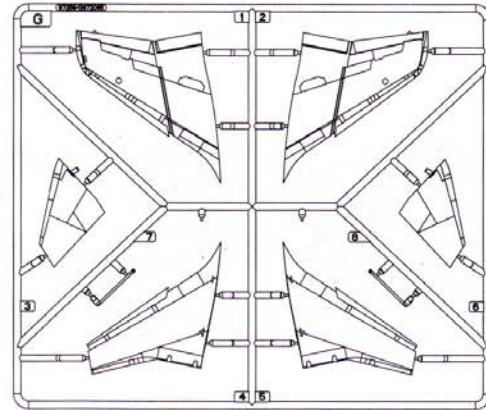
CX2



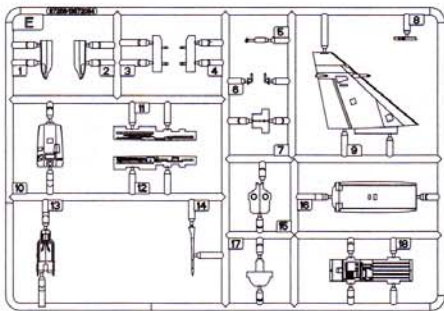
D



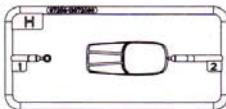
G



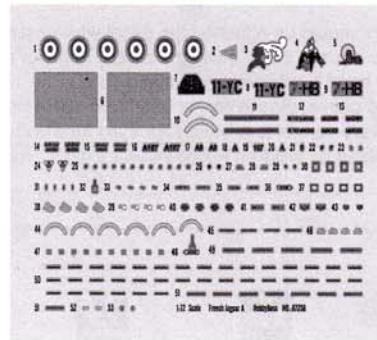
E



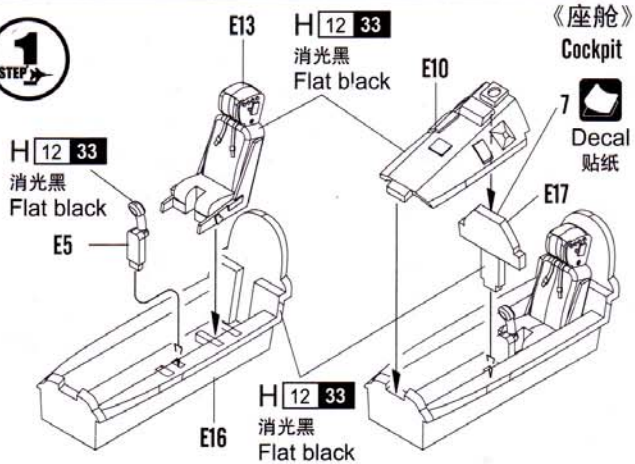
H



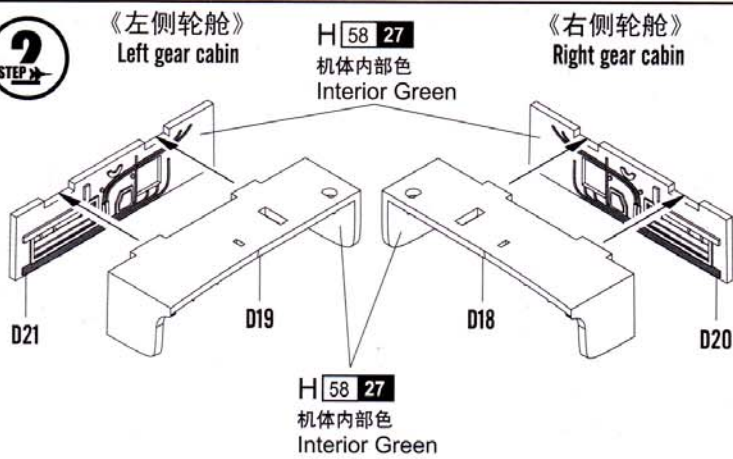
《水贴》
Decal



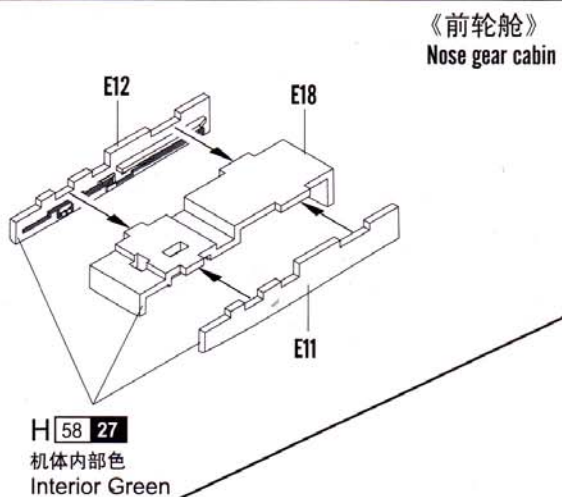
1
STEP



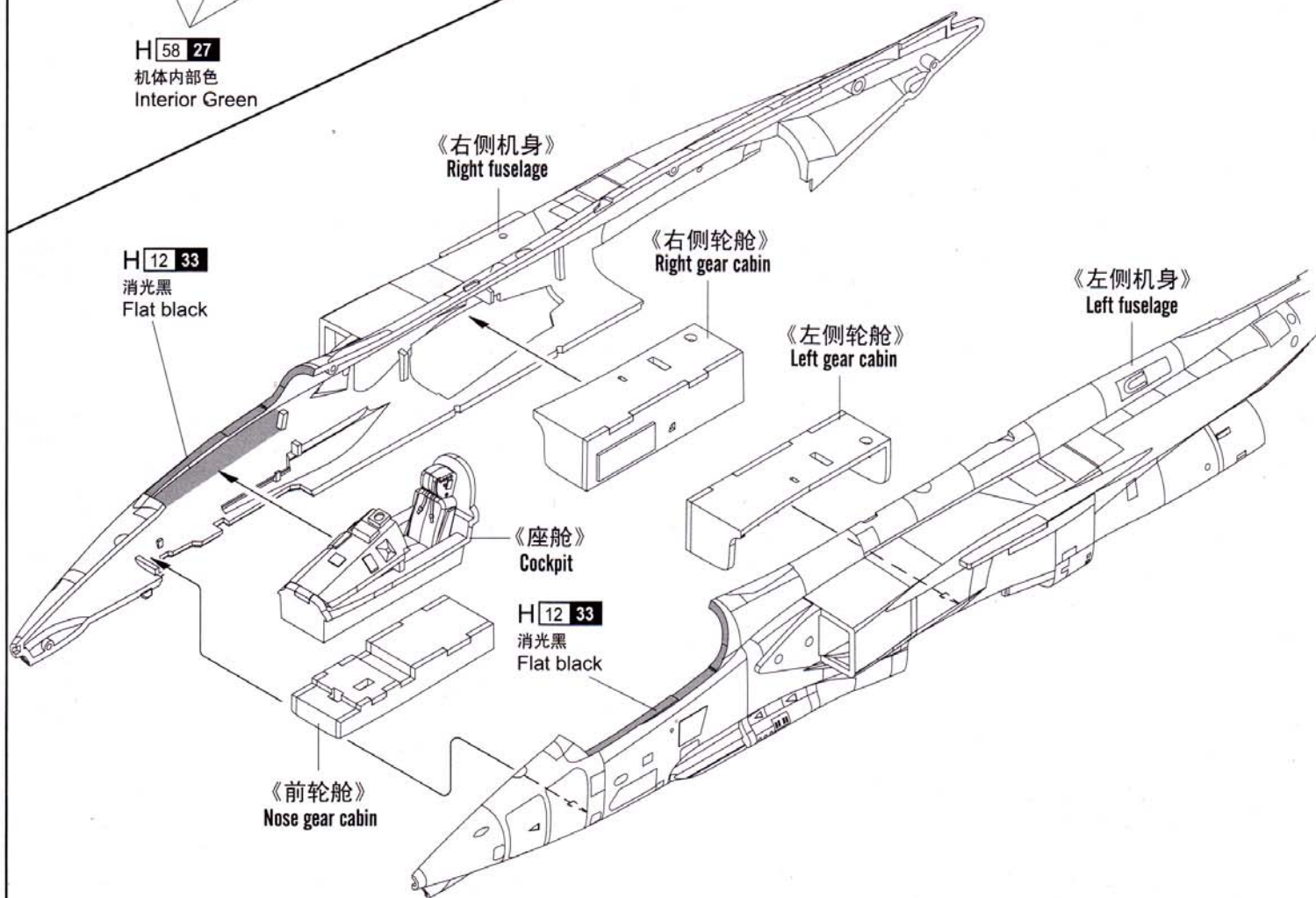
2
STEP

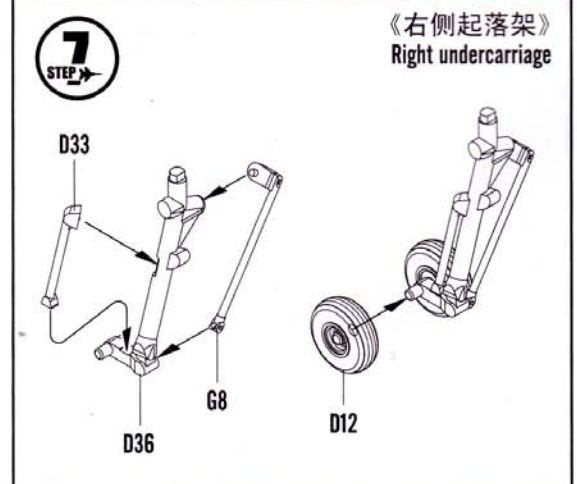
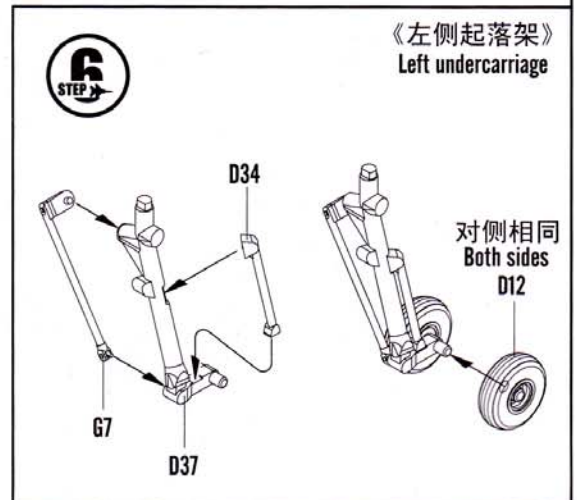
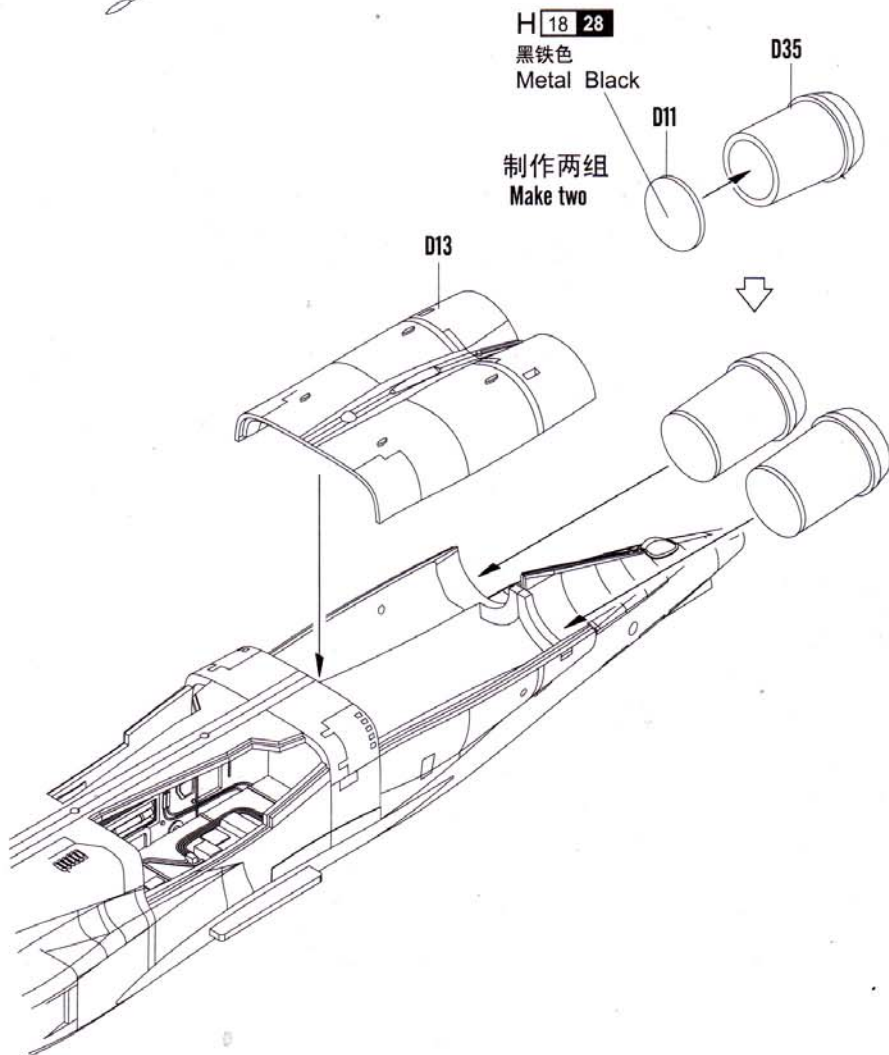
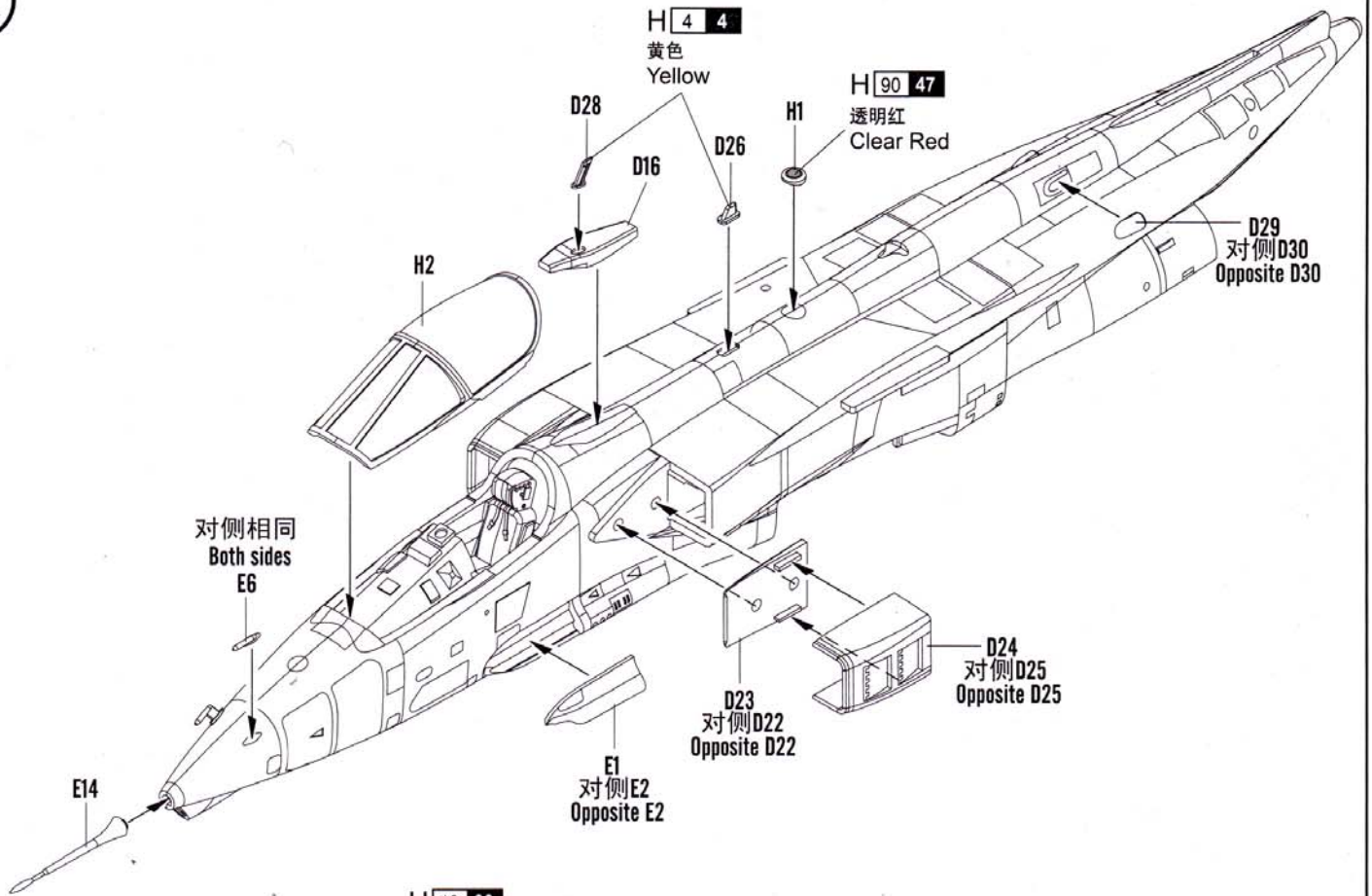


3
STEP



4
STEP

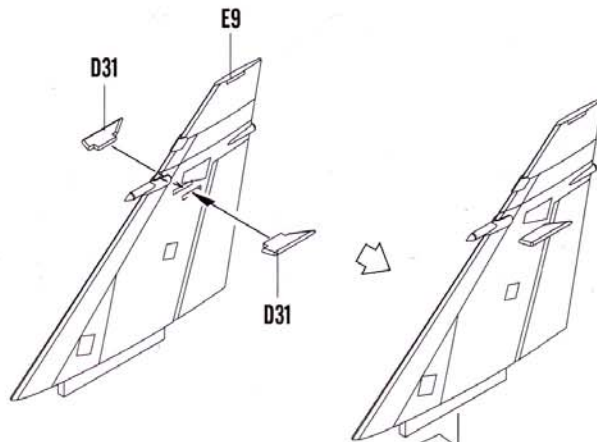
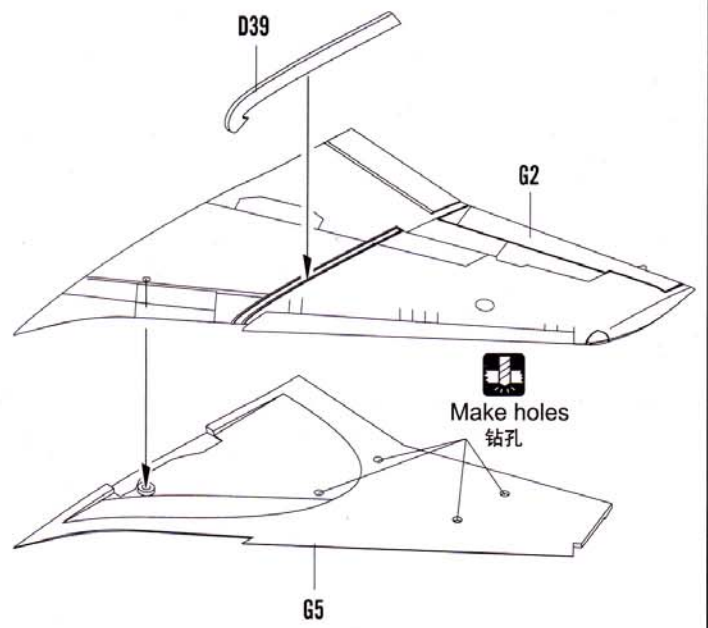
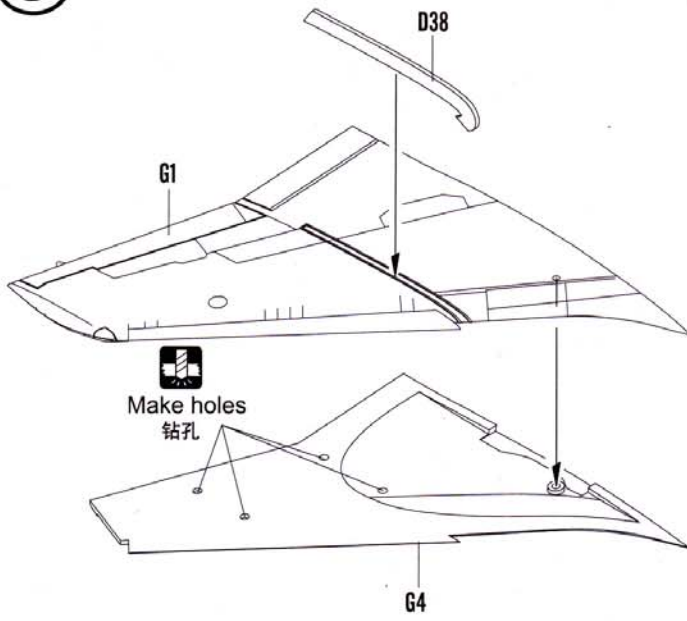






《右侧机翼》
Right wing

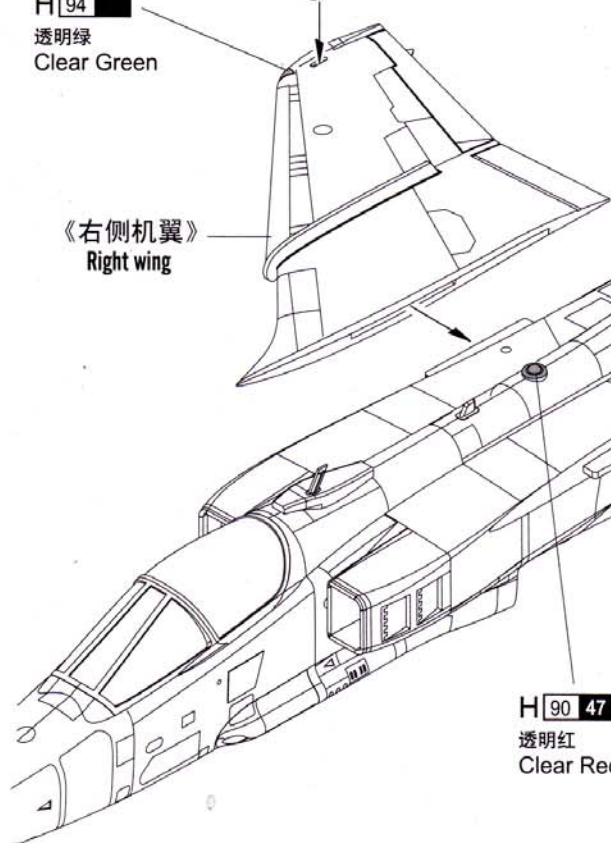
《左侧机翼》
Left wing



H 4 4
黄色
Yellow

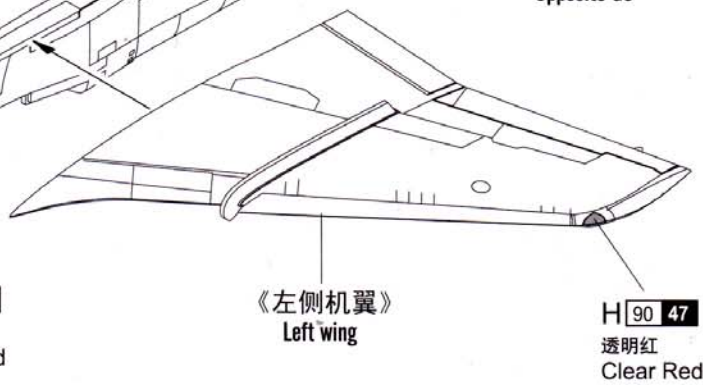
H 94
透明绿
Clear Green

《右侧机翼》
Right wing



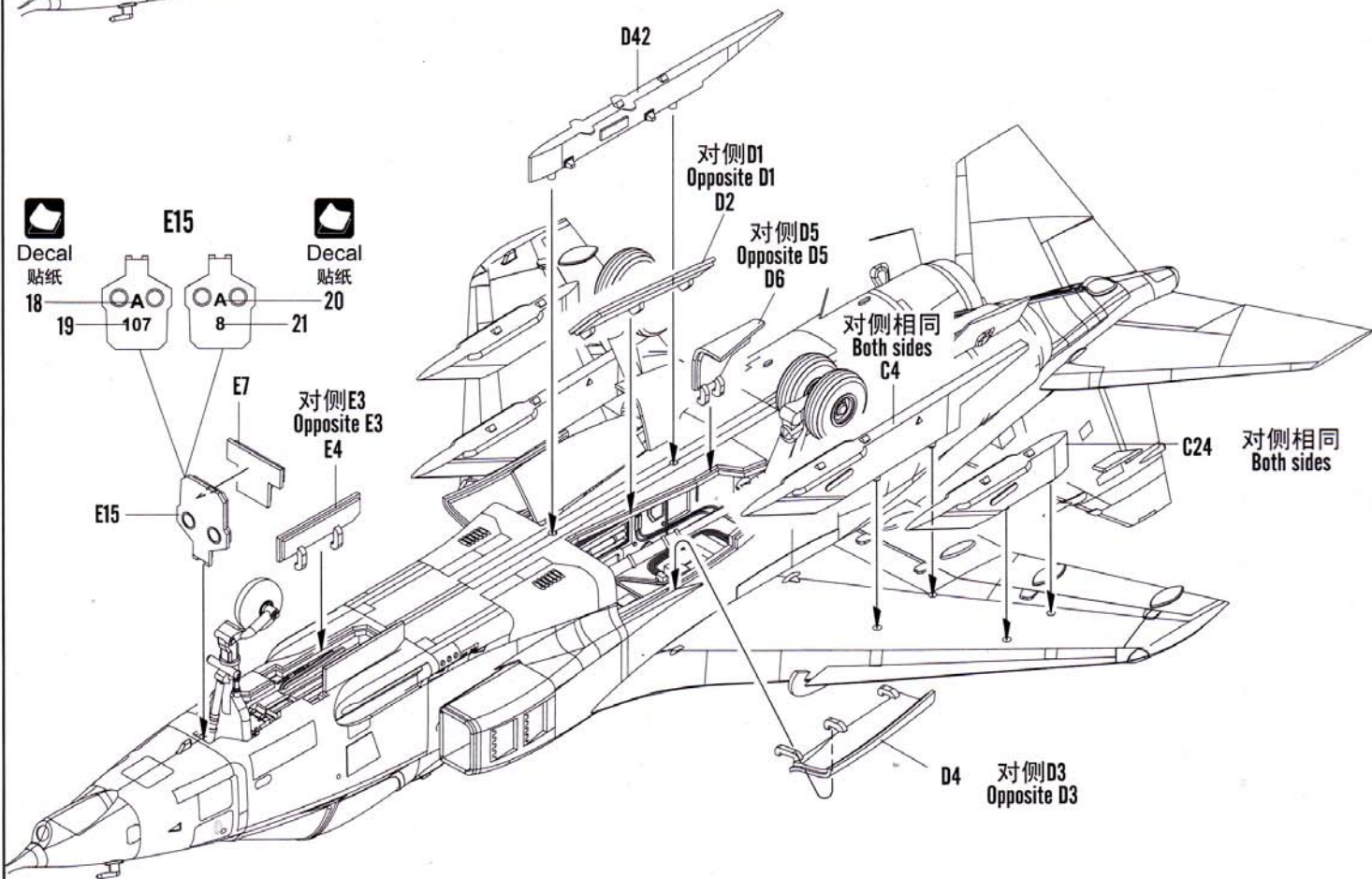
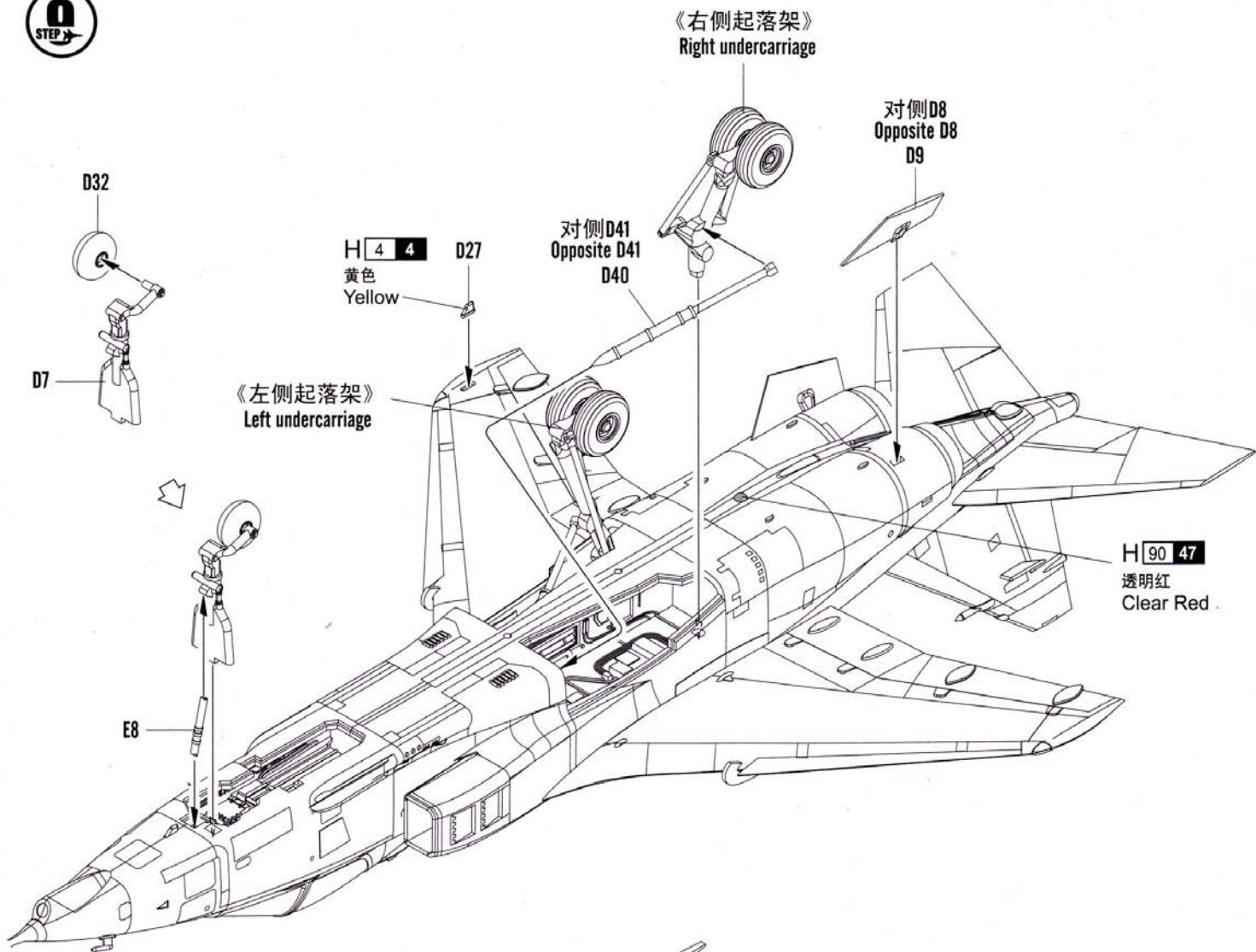
G3
对侧G6
Opposite G6

《左侧机翼》
Left wing



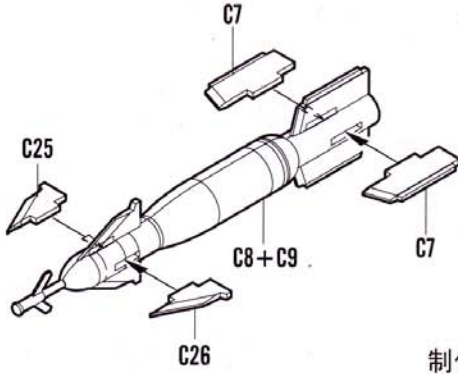
H 90 47
透明红
Clear Red

H 90 47
透明红
Clear Red



10
STEP

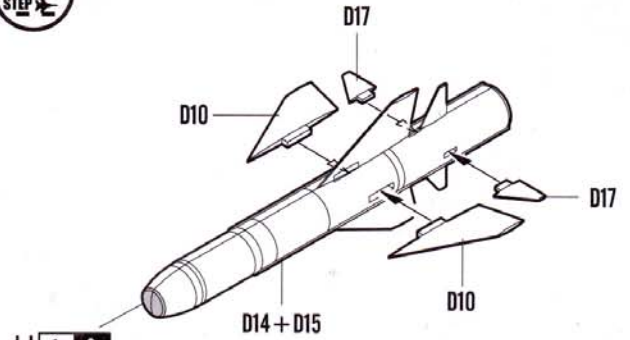
《MATRA BGL-1000 LGB》



制作两组
Make two

11
STEP

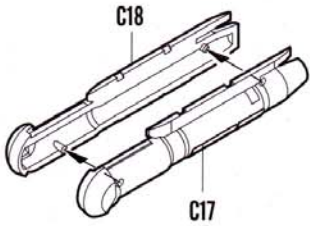
《AJ-168》



H 8 8
银色
Silver

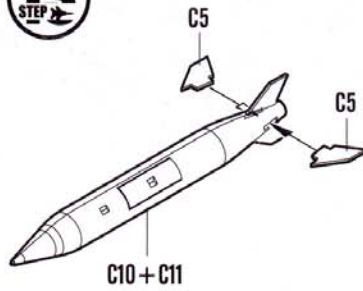
12
STEP

《ALTIIST II ARGETING POD》



13
STEP

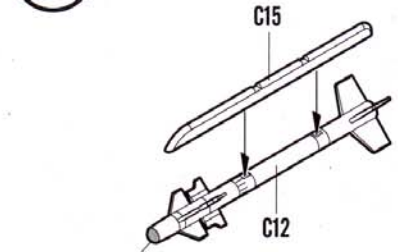
《BLG-66》



制作两组
Make two

14
STEP

《MATRA MAGIC II》

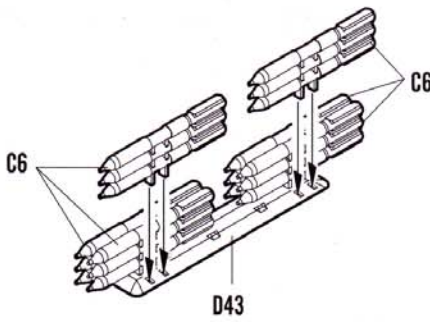


H 12 33
消光黑
Flat black

制作两组
Make two

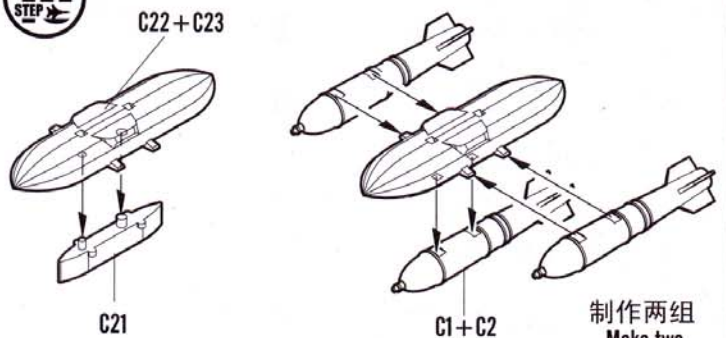
15
STEP

《BAT-120》



16
STEP

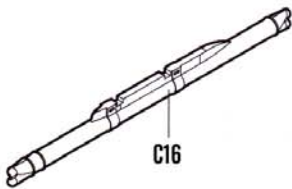
《MATRA BR. 250》



制作两组
Make two

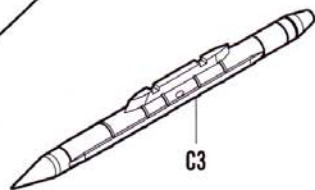
17
STEP

《BARACUDA ECM POD》



制作两组
Make two

18
STEP

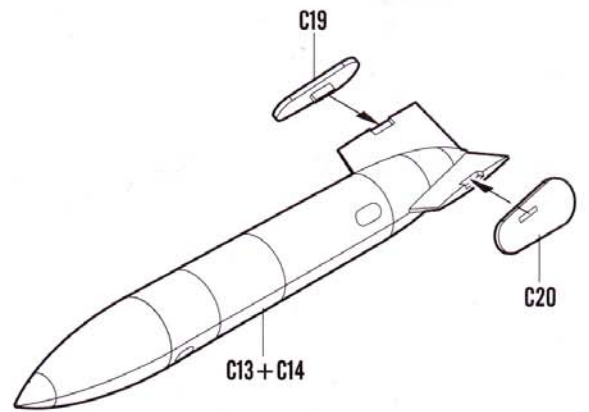


制作两组
Make two

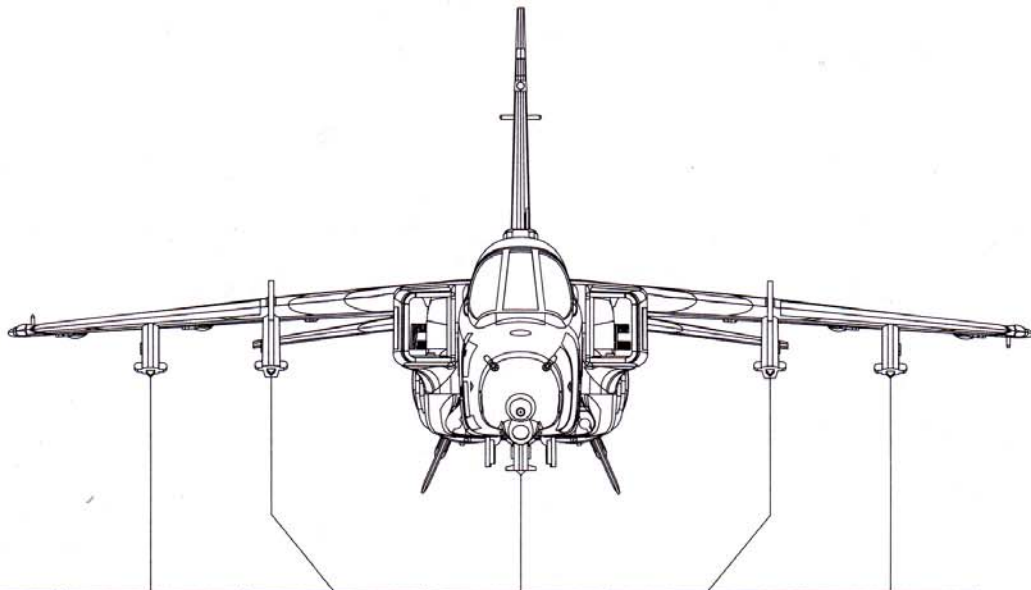
《PHIMAT FLARE/CHAFF DISPENSER》

19
STEP

《FUEL TANK》

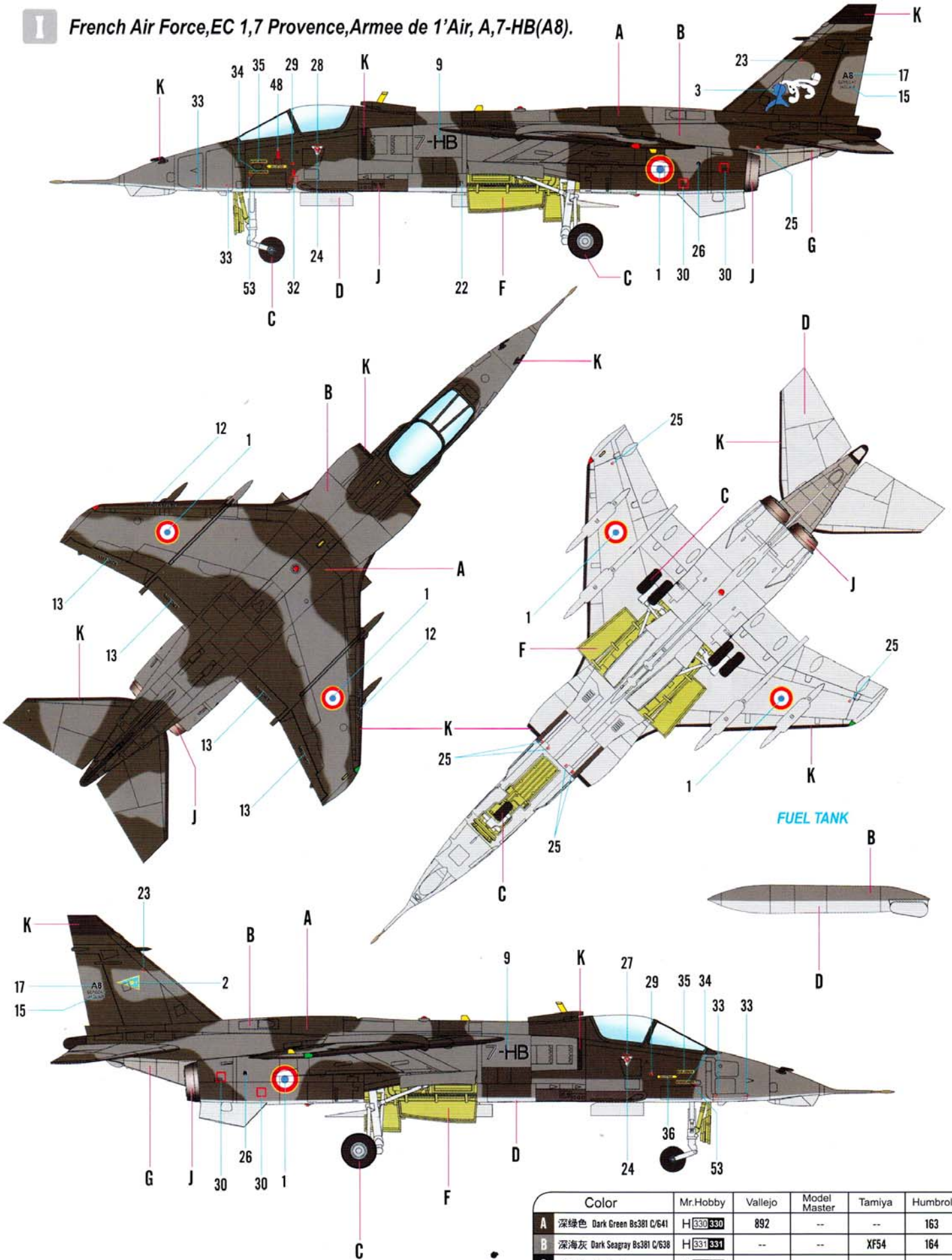


制作两组
Make two



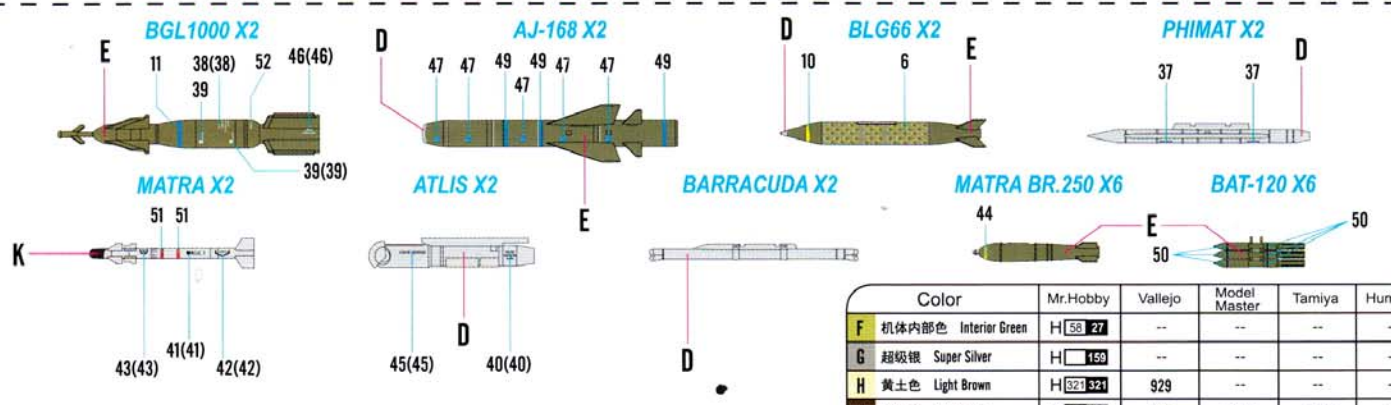
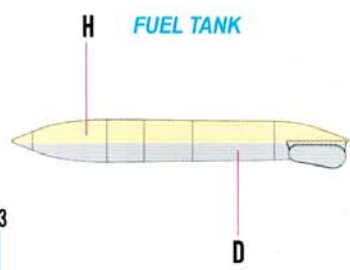
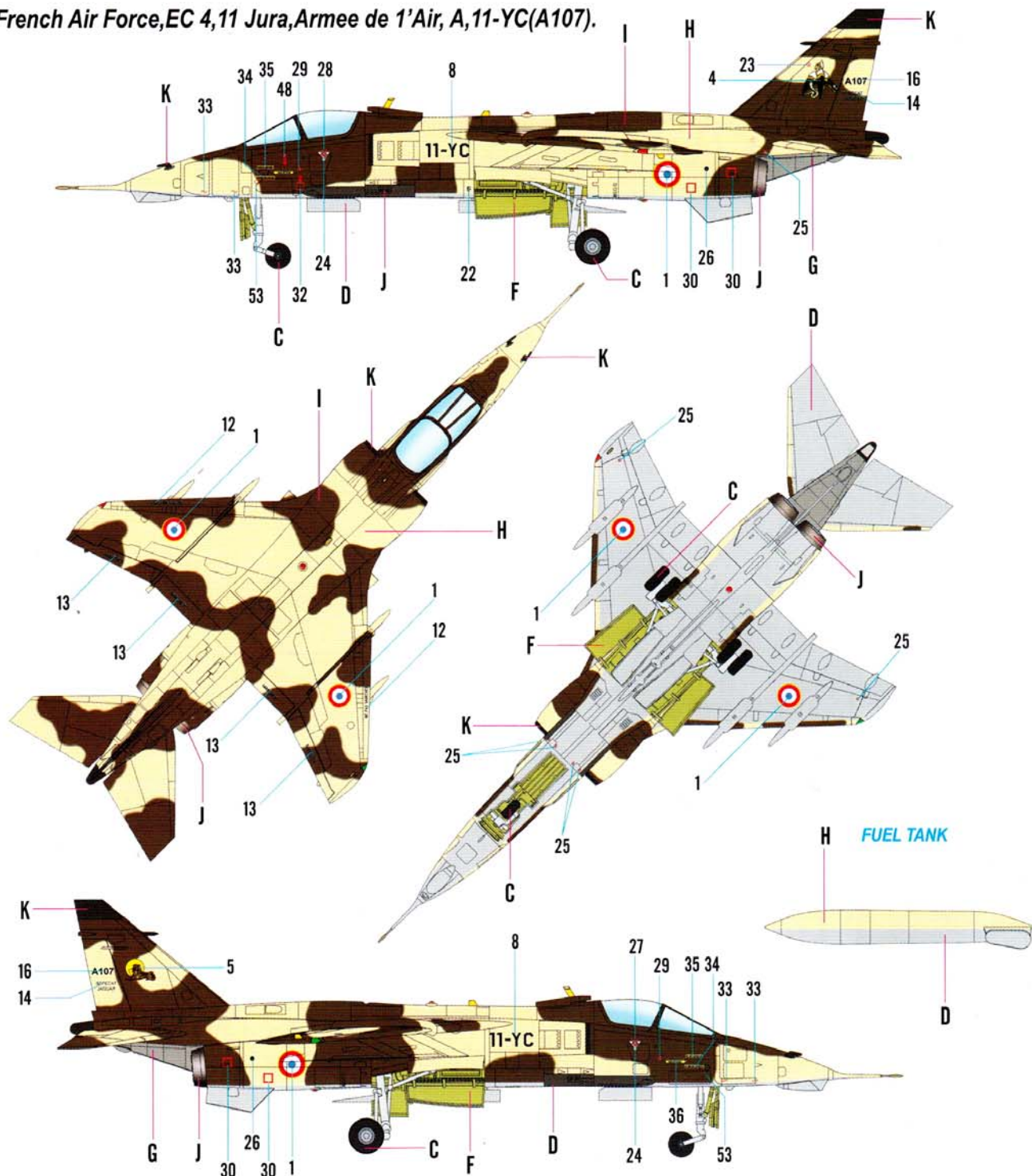
| Missile \ Sta.No. | 1 | 2 | 3 | 4 | 5 |
|----------------------------------|---|---|---|---|---|
| FUEL TANK | | ● | ● | ● | |
| BARACUDA ECM POD | ● | | | | ● |
| PHIMAT FLARE/ CHAFF DISPENSER | ● | | | | ● |
| ALTIS II TARGETING POD | | | ● | | |
| BAT-120 | | | ● | | |
| MATRA BR.250 | | ● | | ● | |
| BLG-66 | | ● | | ● | |
| MATRA BGL-1000 LGB | | ● | ● | ● | |
| AJ-168 | | | ● | | |
| MATRA MAGIC II | ● | | | | ● |

I French Air Force, EC 1,7 Provence, Armee de l'Air, A, 7-HB(A8).



| | Color | Mr.Hobby | Vallejo | Model Master | Tamiya | Humbrol |
|---|------------------------------|-----------|---------|--------------|--------|---------|
| A | 深绿色 Dark Green Bs381 C/641 | H 330 330 | 892 | -- | -- | 163 |
| B | 深海灰 Dark Seagray Bs381 C/638 | H 331 331 | -- | -- | XF54 | 164 |
| C | 胎黑色 Tire Black | H 77 137 | -- | -- | -- | -- |
| D | 银色 Silver | H 8 8 | 997 | 1546 | X11 | 11 |
| E | 橄榄色 Olive Drab (2) | H 78 38 | -- | -- | -- | -- |

II French Air Force, EC 4,11 Jura, Armee de l'Air, A, 11-YC (A107).



| Color | Mr.Hobby | Vallejo | Model Master | Tamiya | Humbrol |
|------------------------|------------|---------|--------------|--------|---------|
| F 机体内部色 Interior Green | H[58] 27 | -- | -- | -- | -- |
| G 超极银 Super Silver | H[150] | -- | -- | -- | -- |
| H 黄土色 Light Brown | H[321] 321 | 929 | -- | -- | -- |
| I 深土色 Dark Earth | H[72] 22 | 873 | 1702 | XF52 | 29 |
| J 烧铁色 Burnt Iron | H[76] 61 | 863 | 1795 | X10 | 53 |
| K 消光黑 Flat Black | H[12] 33 | 950 | 1749 | XF1 | 33 |