

Clear Prop!

**A5M2B
CLAUDE**

LATE
VERSION

1:72
model # 72009

ADVANCED



scale model kit

SPAN: 153 mm



LENGTH: 105 mm



NUMBER OF PARTS: 136 pcs

1 stages of assembly	? optional
A variants of assembly	glue by super glue
A1 part number	do not glue
1 separate details	make a hole
1 apply decals	detach with knife
1 apply the adhesive mask	paint
bend	repeat the operation N times

Role	Carrier-based fighter
Manufacturer	Mitsubishi Heavy Industries, Ltd
Designer	Jiro Horikoshi
First flight	4 February 1935
Introduction	1936
Retired	1945
Primary user	Imperial Japanese Navy Air Service
Number built	1,094

The Mitsubishi A5M, formal Japanese Navy designation Mitsubishi Navy Type 96 Carrier-based Fighter, experimental Navy designation Mitsubishi Navy Experimental 9-Shi Carrier Fighter, company designation Mitsubishi Ka-14, was a Japanese carrier-based fighter aircraft. It was the world's first monoplane shipboard fighter to enter service and the direct predecessor of the famous Mitsubishi A6M "Zero". The Allied reporting name was Claude.

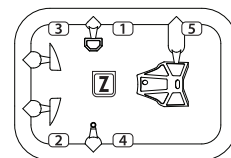
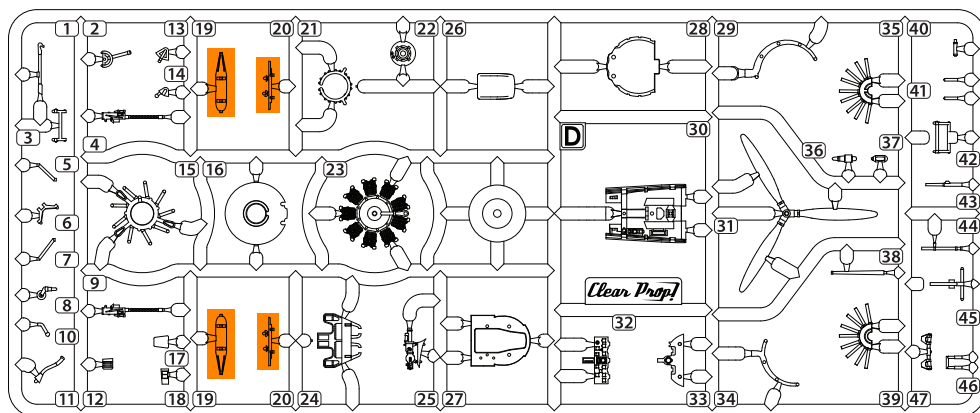
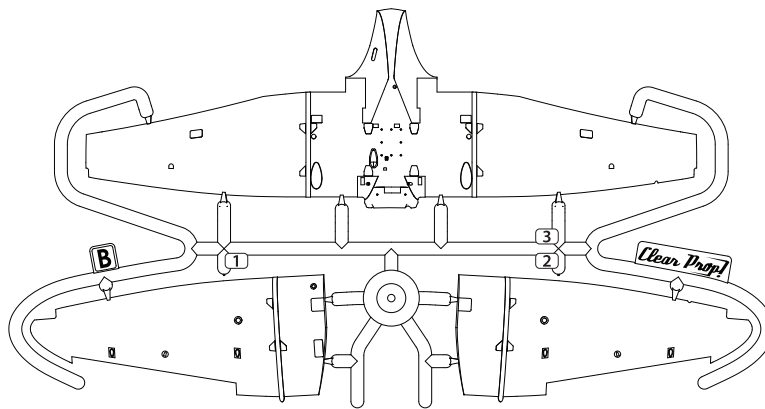
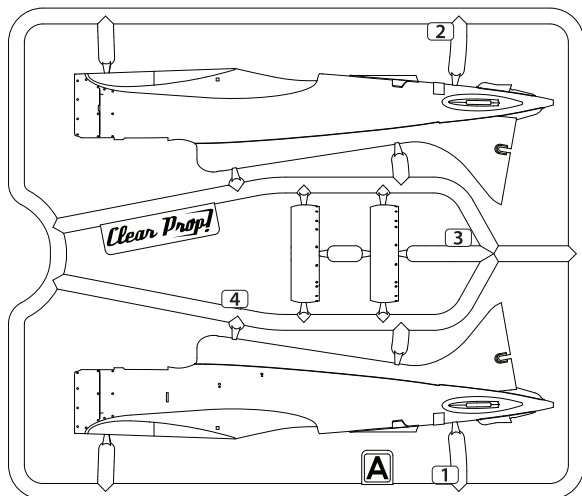
In 1934, the Imperial Japanese Navy prepared a specification for an advanced fighter, requiring a maximum speed of 350 km/h at 3,000 m and able to climb to 5,000 m in 6.5 minutes. This 9-shi (1934) specification produced designs from both Mitsubishi and Nakajima.

Mitsubishi assigned the task of designing the new fighter to a team led by Jiro Horikoshi. The resulting design, designated Ka-14 by Mitsubishi, was an all-metal low-wing fighter. The first prototype, powered by a 600 hp Nakajima Kotobuki 5 radial engine, flew on 4 February 1935. The aircraft far exceeded the requirements of the specification, with a maximum speed of 450 km/h being reached. The second prototype was fitted with a revised, ungulled wing, and was ordered into production as the A5M.

REQUIRED PAINTS

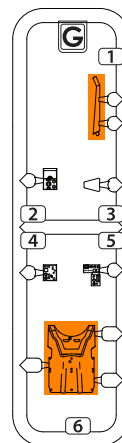
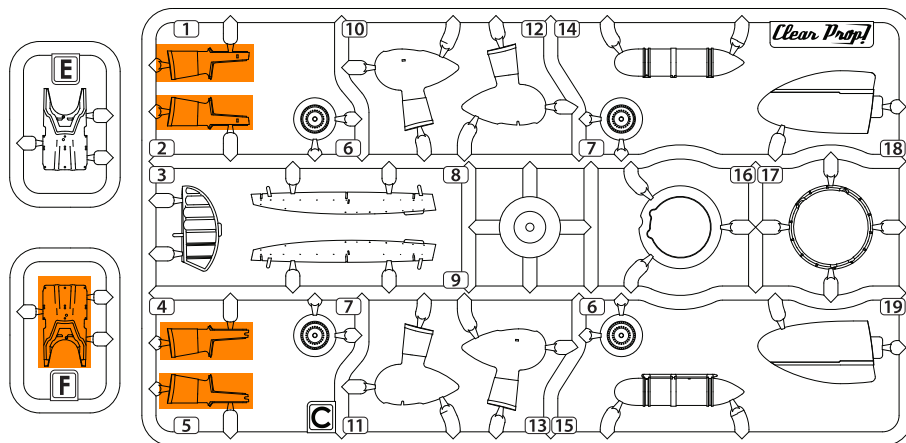
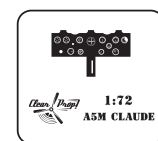
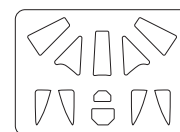
A MR. COLOR 8 AK RC020 SILVER	B MR. COLOR 3 AK RC005 RED	C MR. COLOR 47 AK RC503 CLEAR RED	D MR. COLOR 50 AK RC504 CLEAR BLUE	E MR. COLOR 131 AK RC068 PROPELLER COLOR	F MR. COLOR 125 AK AK2066 COWLING COLOR	G MR. COLOR 28 AK AK476 STEEL	H MR. COLOR 41 AK RC006 RED BROWN
I MR. COLOR 2 AK RC001 BLACK SCHWARZ	J MR. COLOR 126 AK RC306 COCKPIT COLOR	K MR. COLOR 35 AK RC302 IJN GRAY	L MR. COLOR 61 AK AK484 BURNT IRON	M MR. COLOR 137 AK RC022 TIRE BLACK	REAL COLORS by AK		

THIS MODEL IS PRODUCED FOR EXPERIENCED MODELERS OVER 14 YEARS

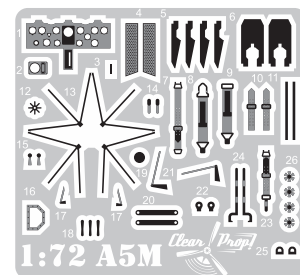


MASKS

CLEAR FILM

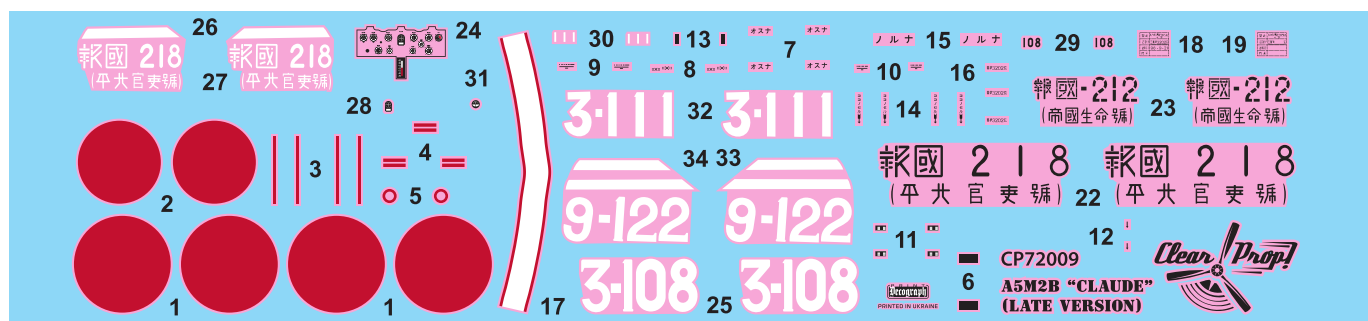


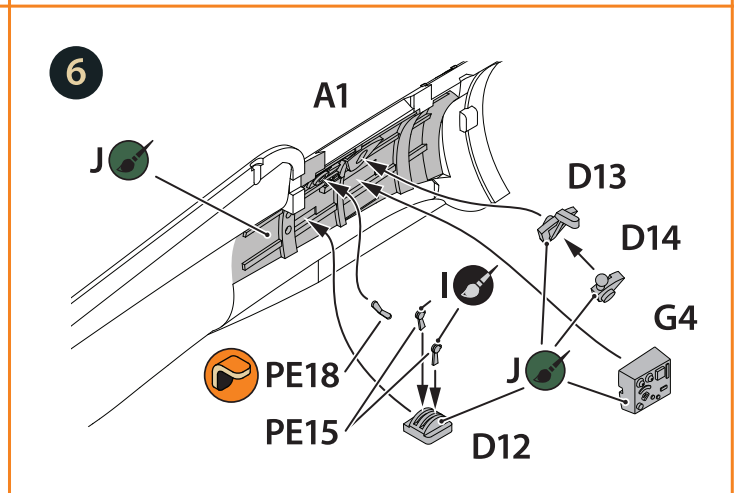
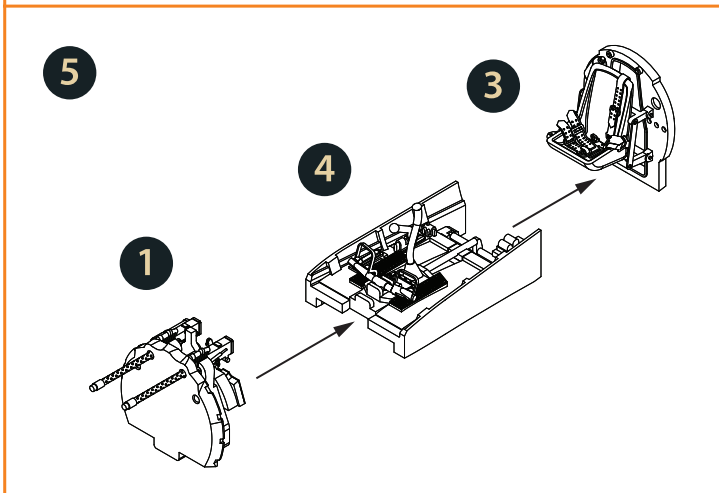
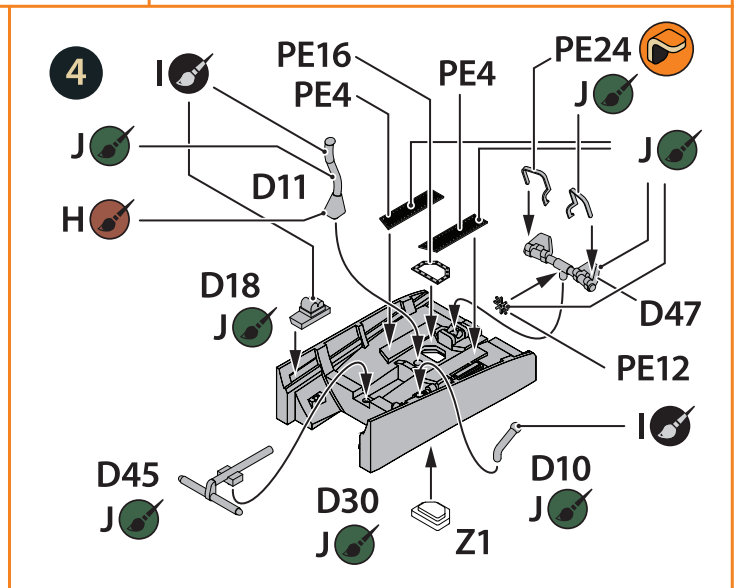
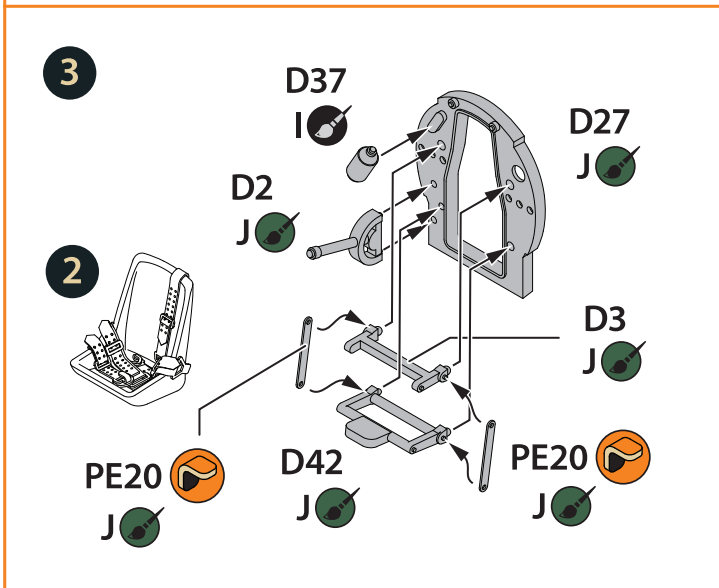
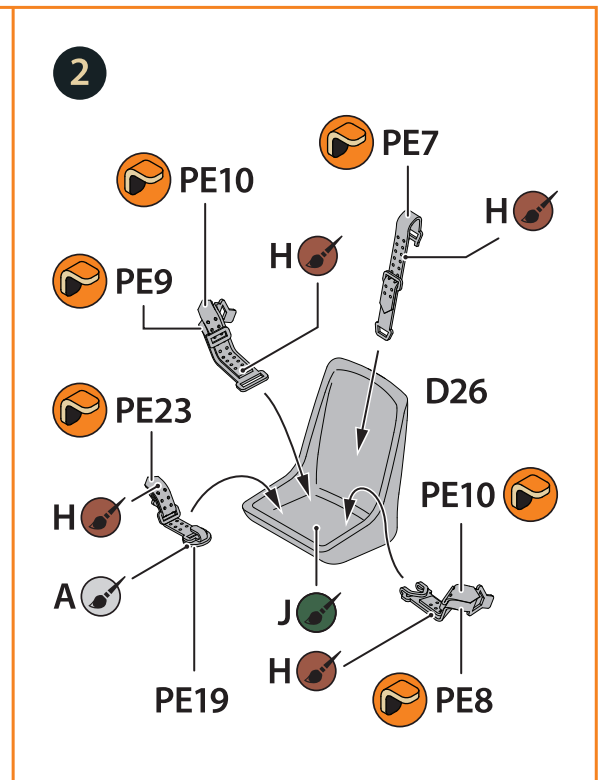
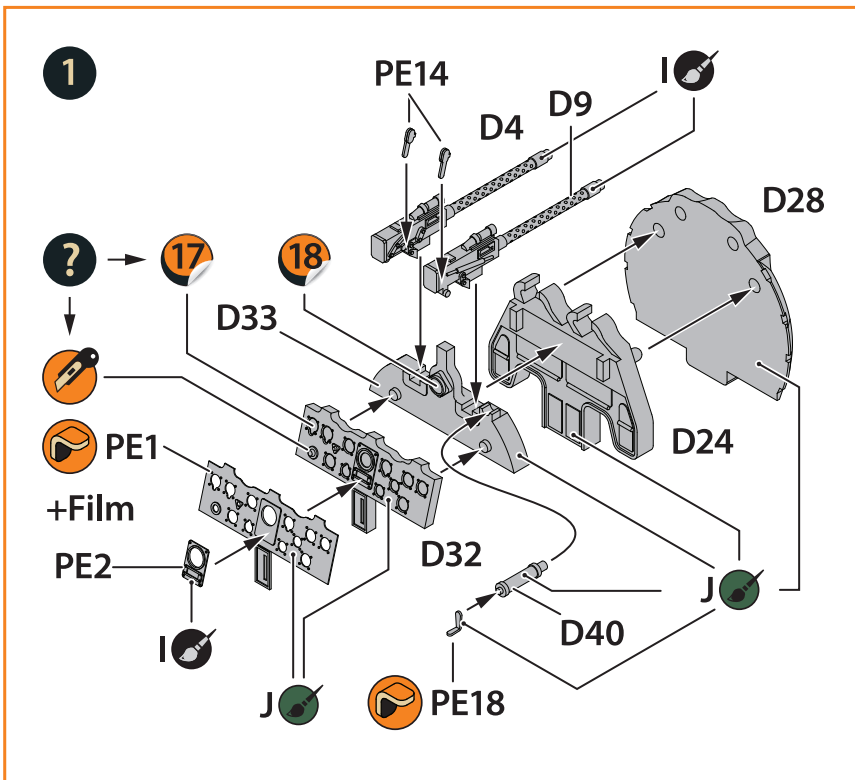
PHOTOETCHED PARTS

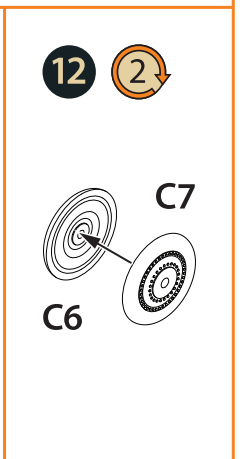
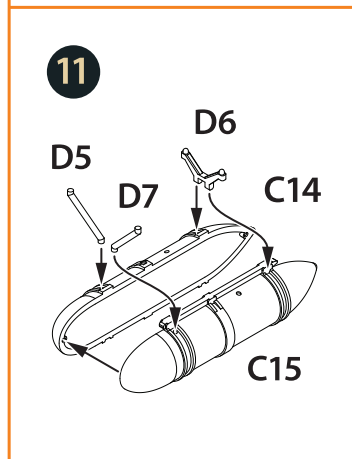
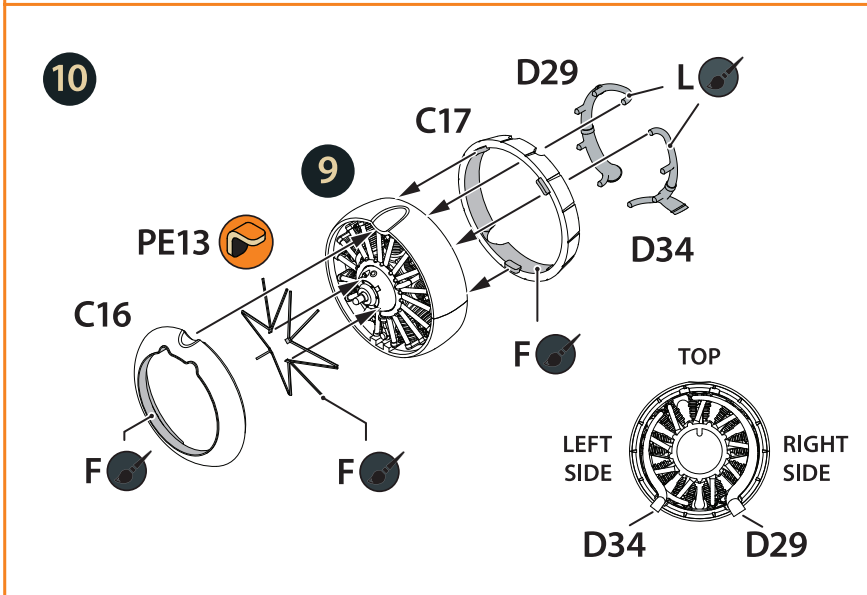
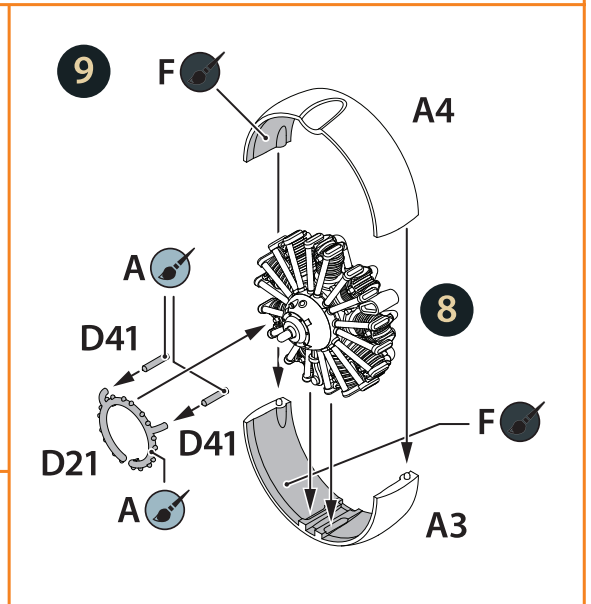
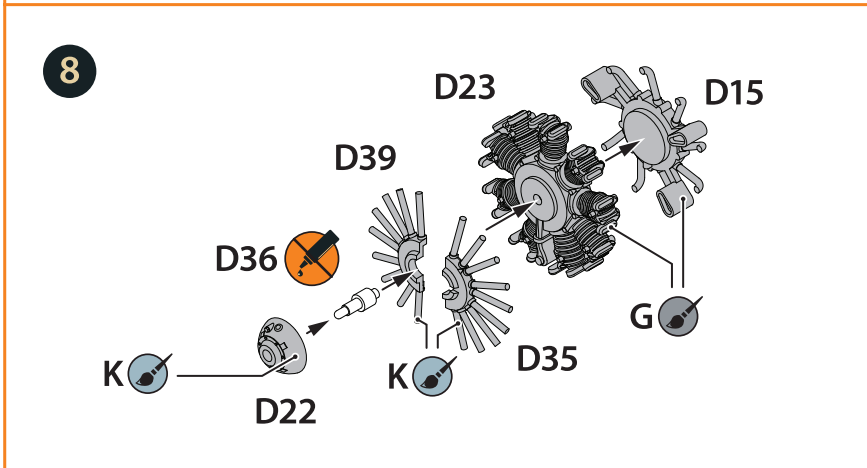
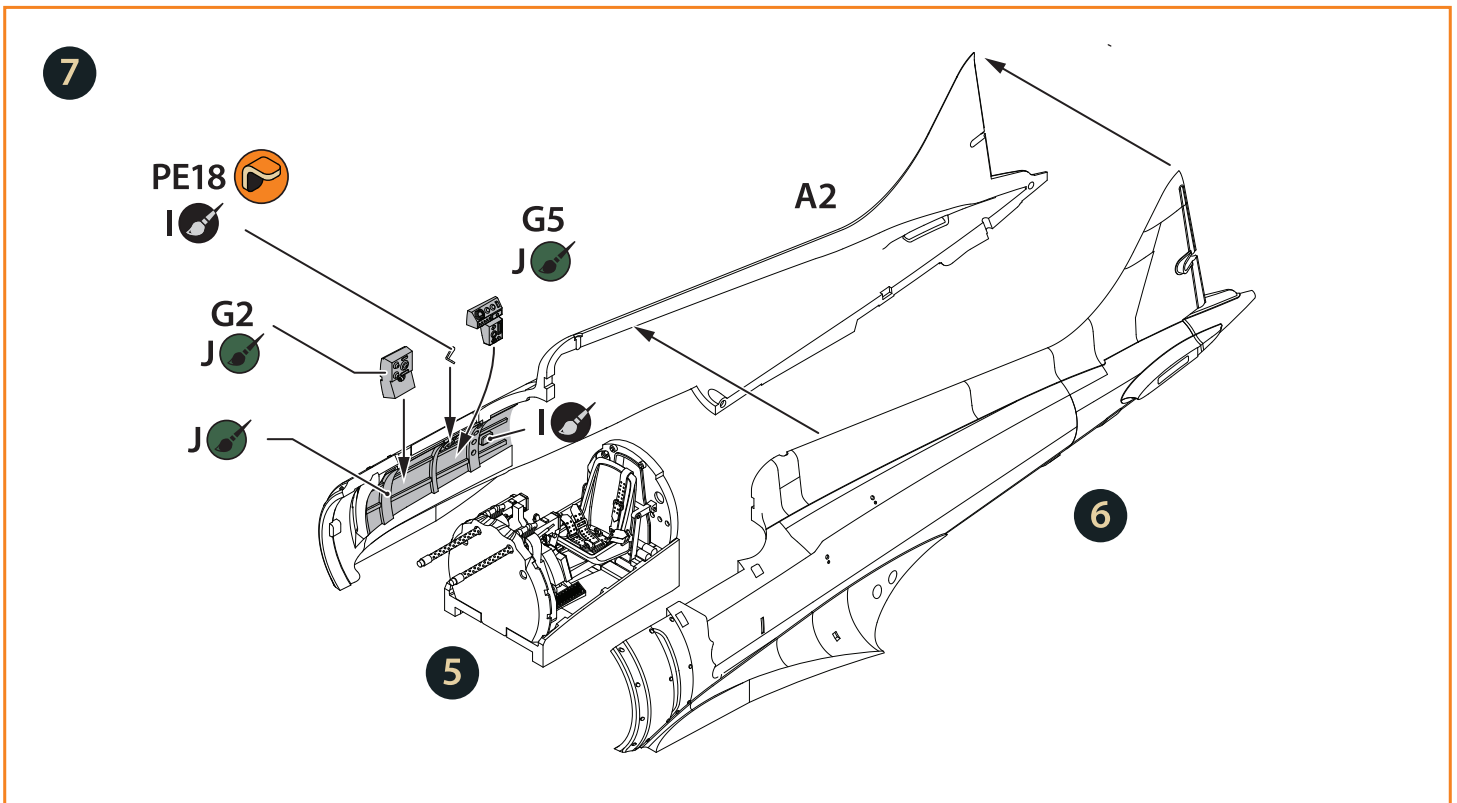


Parts not for use

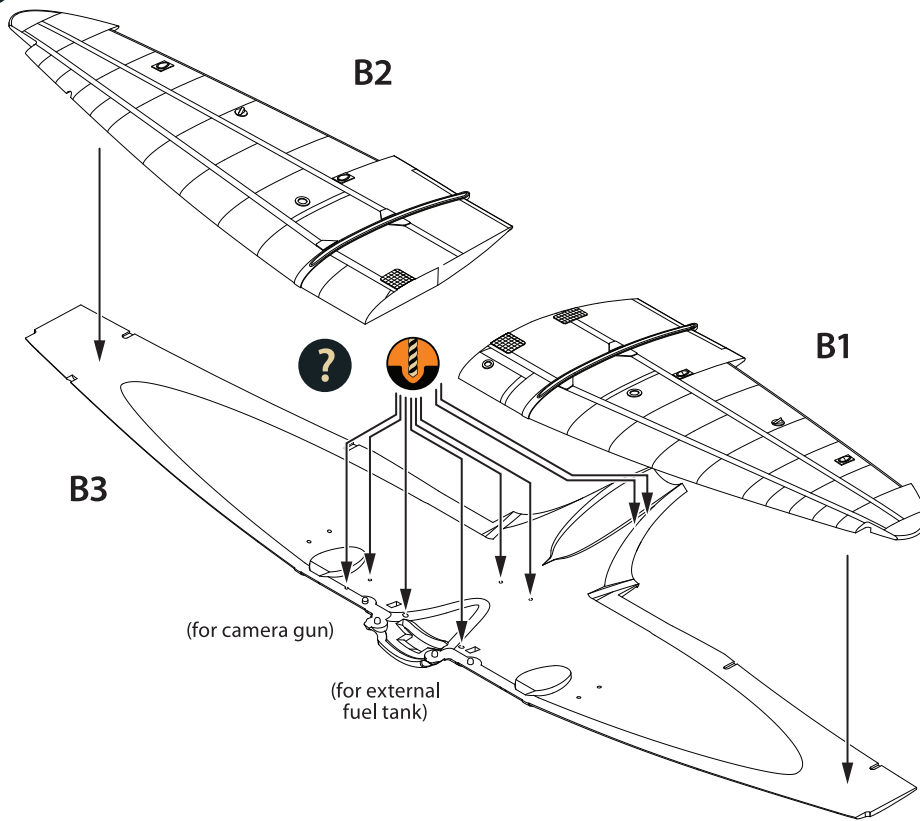
DECAL SHEET



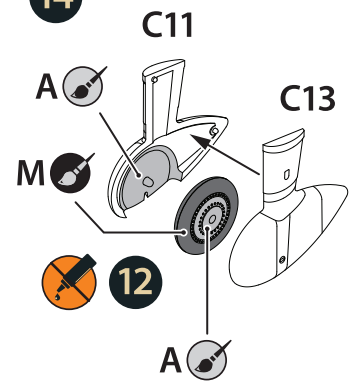




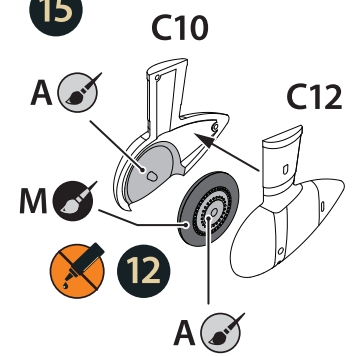
13



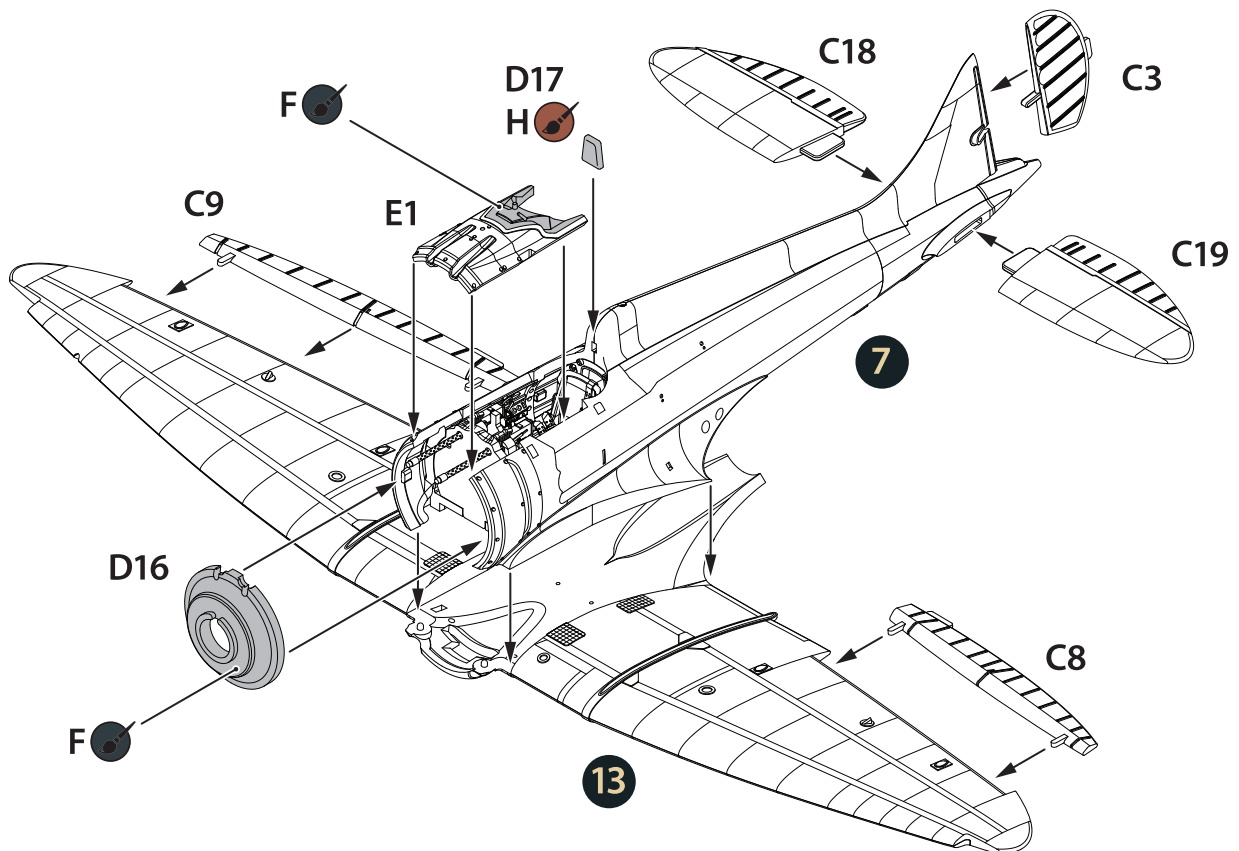
14



15



16





A
MR. COLOR 8
AK RC020
SILVER



B
MR. COLOR 3
AK RC005
RED



C
MR. COLOR 47
AK RC503
CLEAR RED



D
MR. COLOR 50
AK RC504
CLEAR BLUE



E
MR. COLOR 131
AK RC068
PROPELLER COLOR



F
MR. COLOR 125
AK AK2066
COWLING COLOR

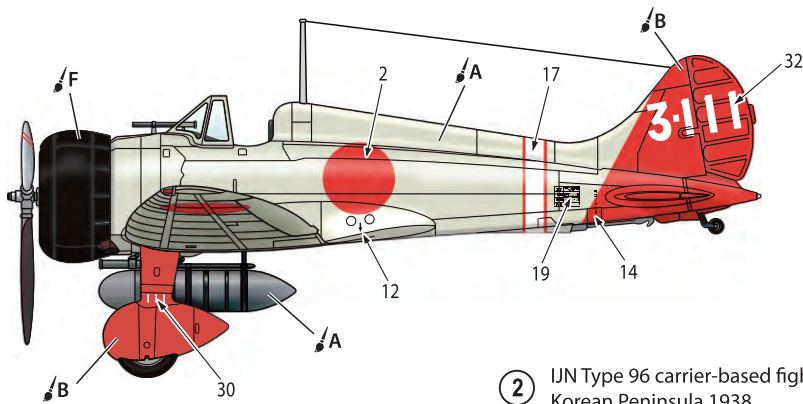


G
MR. COLOR 28
AK AK476
STEEL

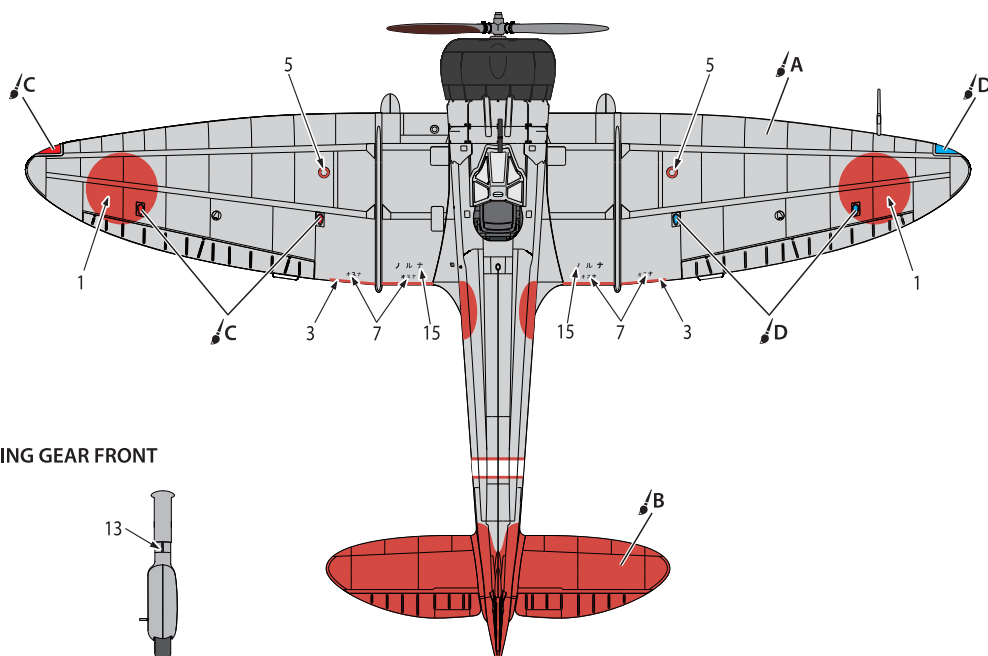
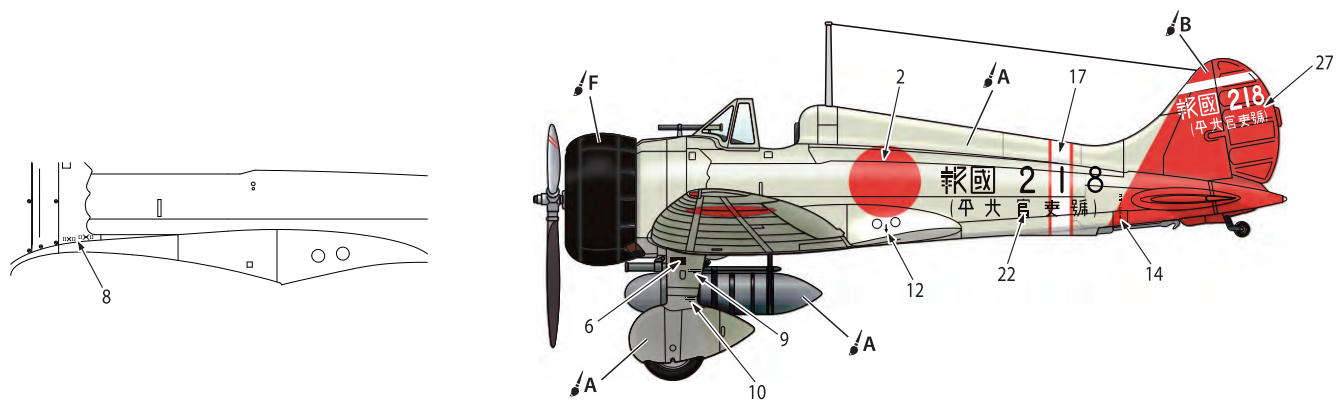


H
MR. COLOR 41
AK RC006
RED BROWN

- ① IJN Type 96 carrier-based fighter II, 12 Kokutai
China 1938.



- ② IJN Type 96 carrier-based fighter II, 14 Kokutai
Korean Peninsula 1938.





A
MR. COLOR 8
AK RC020
SILVER



B
MR. COLOR 3
AK RC005
RED



C
MR. COLOR 47
AK RC503
CLEAR RED



D
MR. COLOR 50
AK RC504
CLEAR BLUE



E
MR. COLOR 131
AK RC068
PROPELLER COLOR



F
MR. COLOR 125
AK AK2066
COWLING COLOR

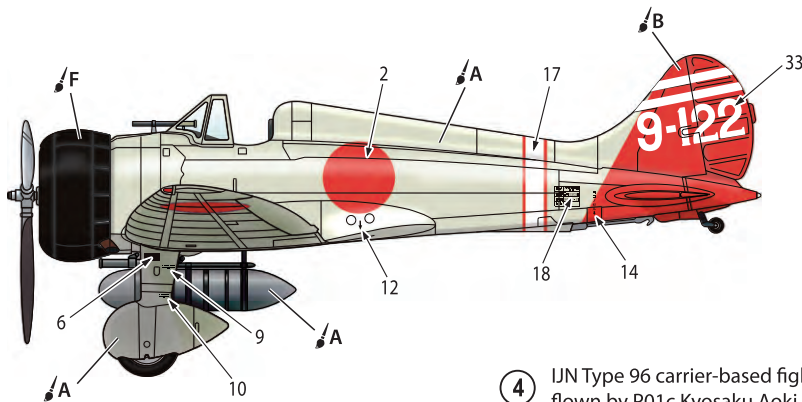


G
MR. COLOR 28
AK AK476
STEEL



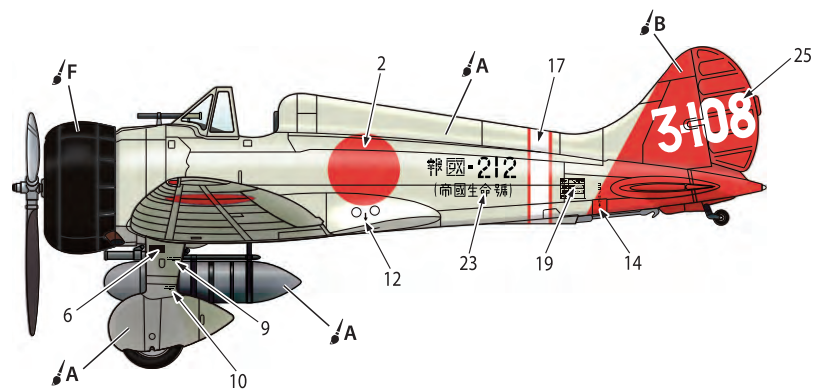
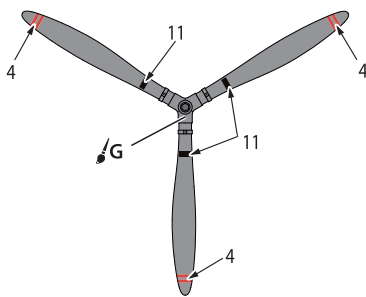
H
MR. COLOR 41
AK RC006
RED BROWN

- ③ IJN Type 96 carrier-based fighter II, 14 Kokutai
China 1938.



- ④ IJN Type 96 carrier-based fighter II, 12 Kokutai
flown by P01c Kyosaku Aoki, China 1938.

PROPELLER FRONT SIDE



PROPELLER BACK SIDE

