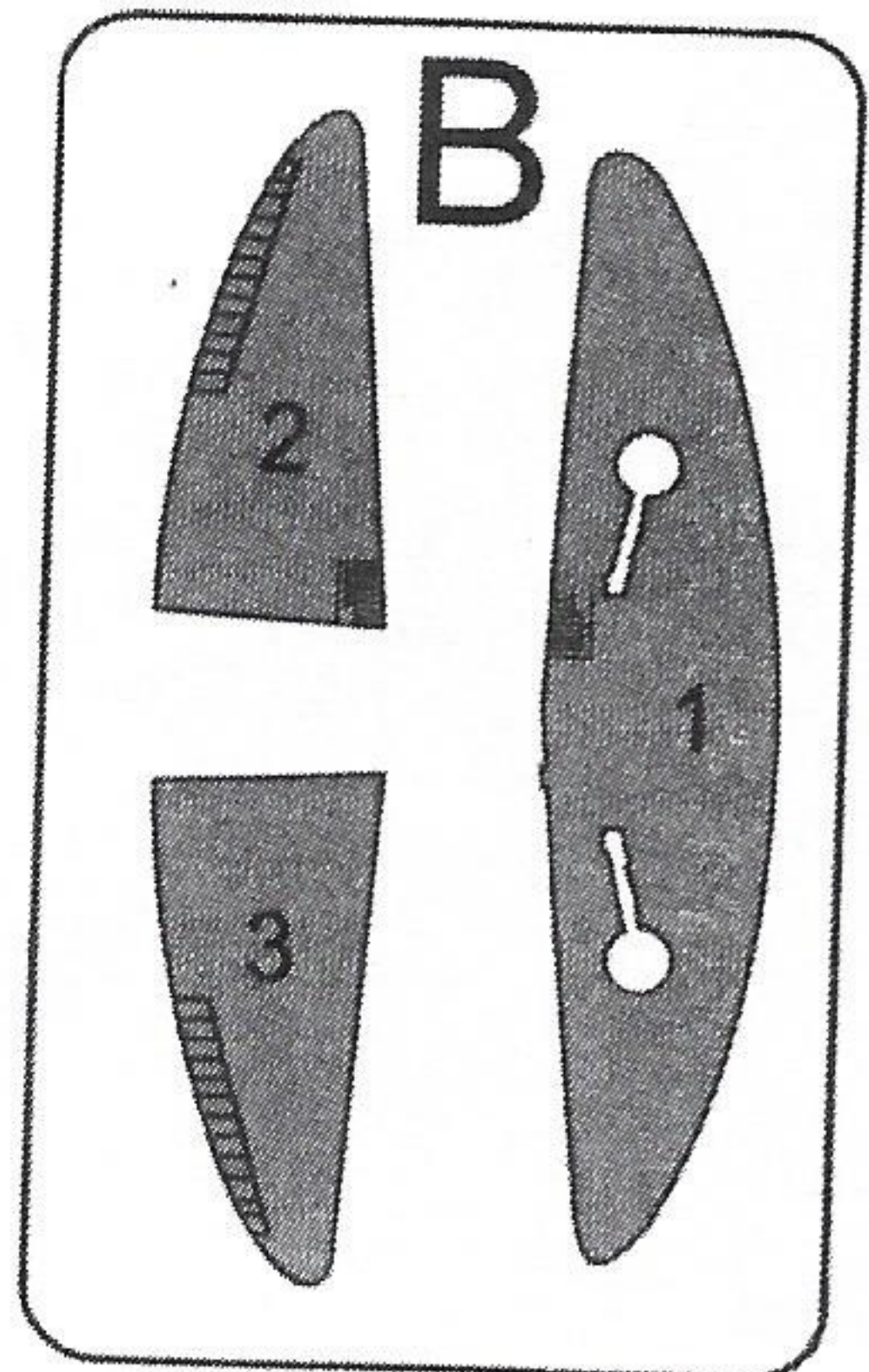
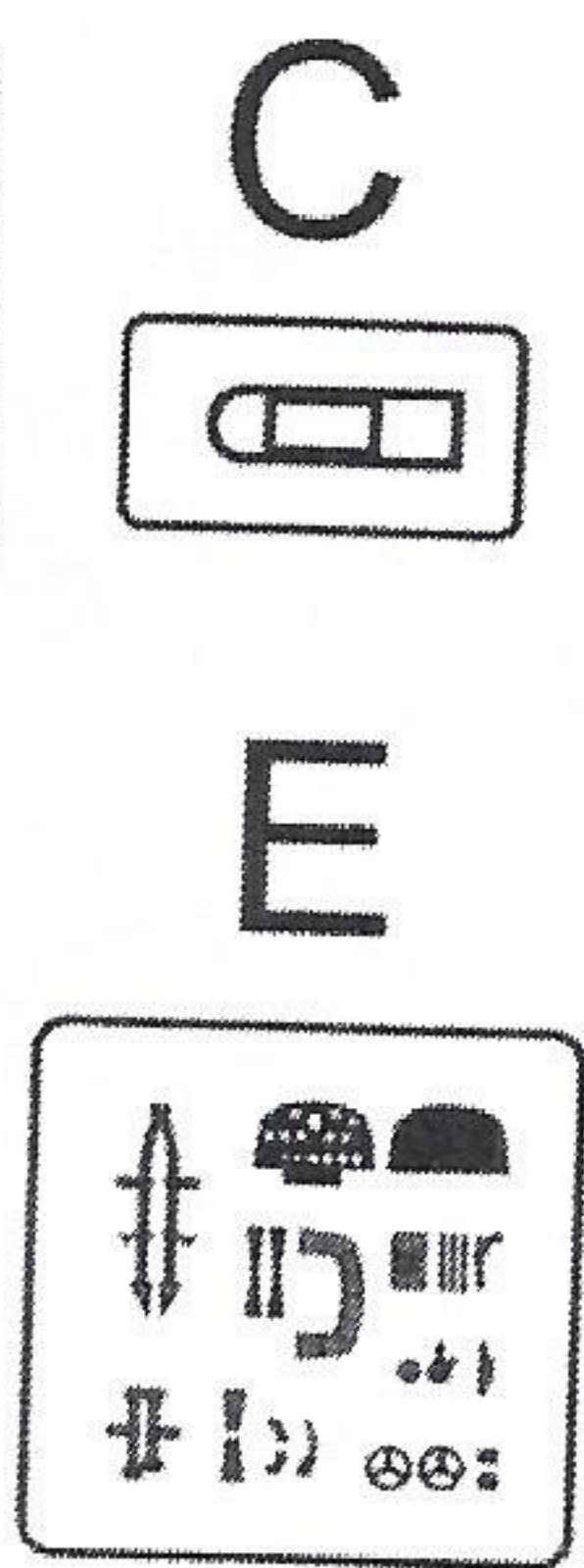
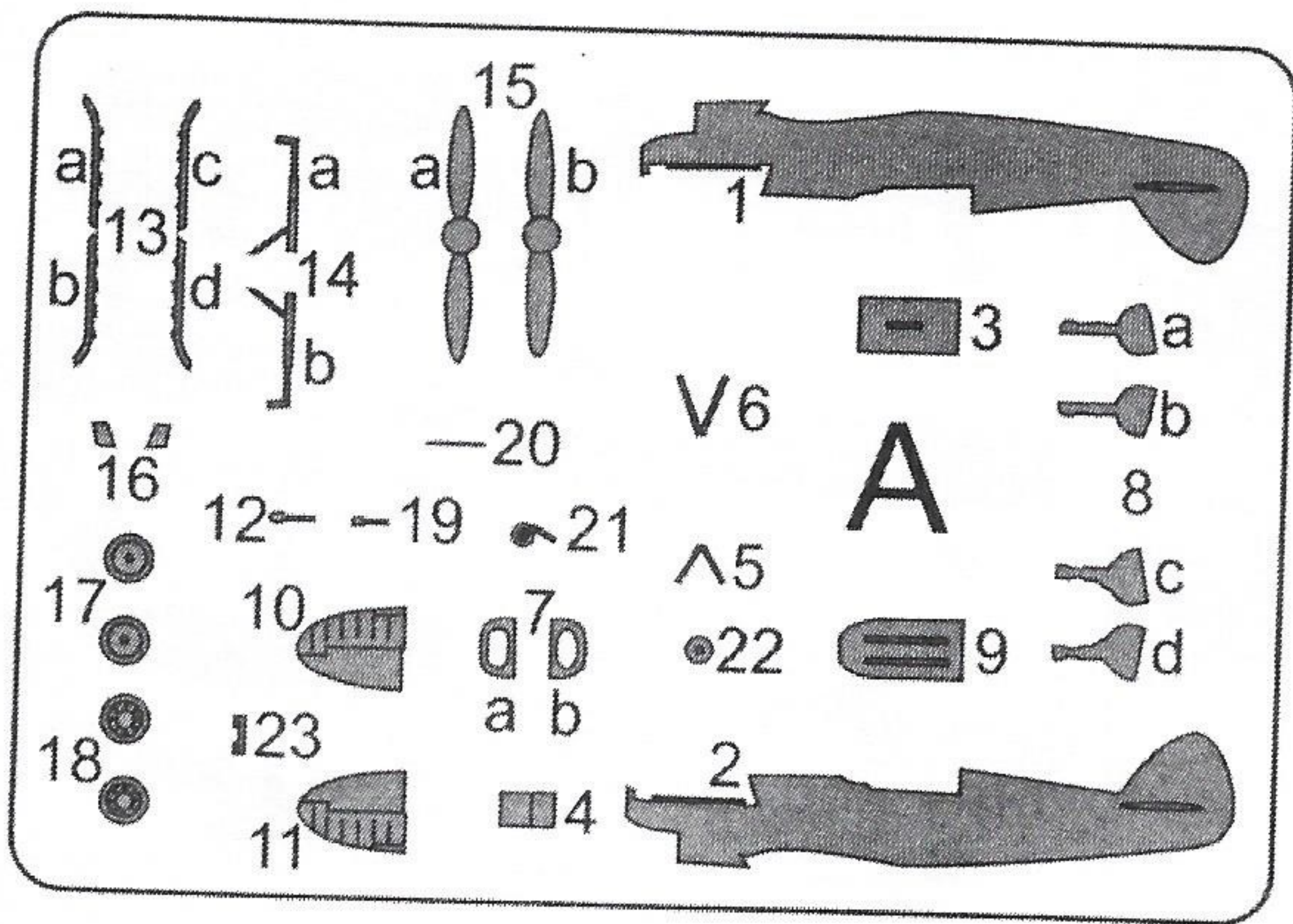


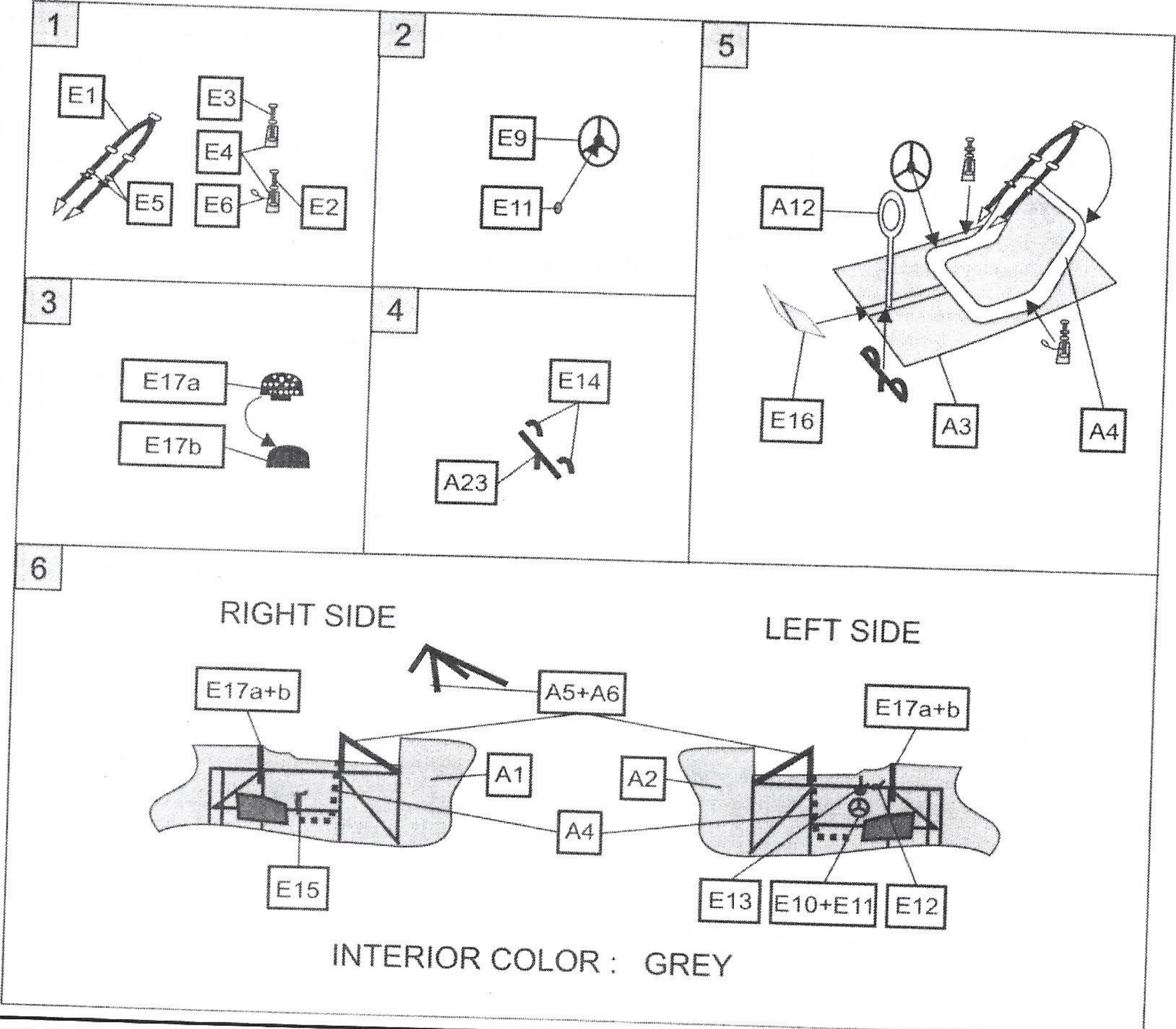
92241 AVIA B-135 1/72 SCALE

During the summer of 1939, ing. Novotný and his team initiated considerable re-design and refinement of the B.35, and a new prototype, the B-135, was completed late in the year. The fuselage of the B-135 was essentially similar to that of the B.35.3, the HS 12 Yers engine and armament of one 20 mm cannon and two 7,7 mm machine guns were retained, as was the hydraulically-retractable main undercarriage members of the B.35.3 prototype, but a controllable-pitch airscrew was introduced, the rudder was enlarged, and an entirely new wing of all-metal construction was fitted. The B-135 prototype was demonstrated to a Bulgarian mission in 1940, and the Bulgarian government placed an order for 12 production aircraft and also acquired a manufacturing licence for the fighter, although this was never taken up. B-135 was flown in Bulgaria as a trainer in 1944.

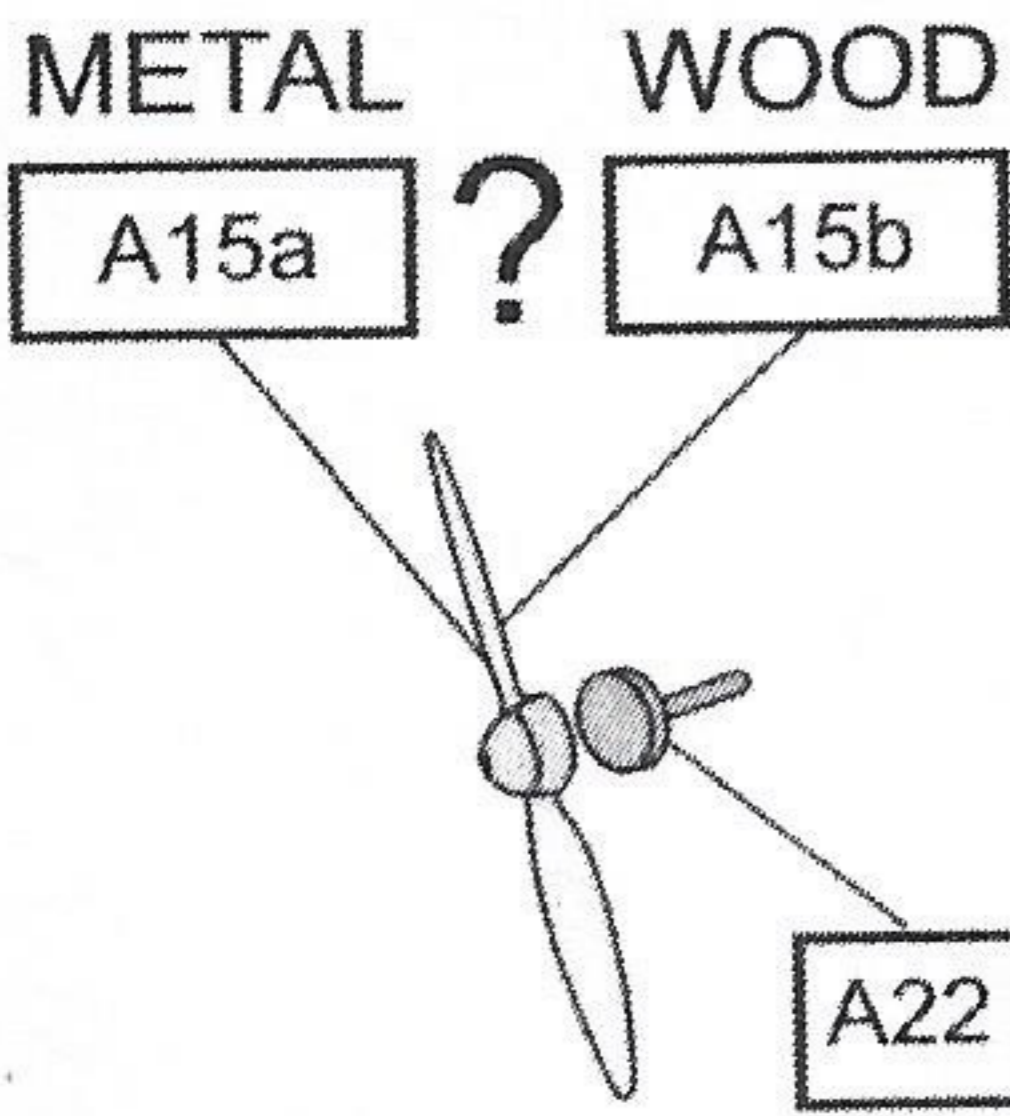
- Span / Spanweite / Rozpětí: **10,85 m**
- Length / Länge / Délka: **8,50 m**
- High / Höhe / Výška: **2,60 m**
- Empty weight / Leergewicht / Hm. prázdná: **1905 kg**
- Loaded weight / Startgewicht / Vzl. hmotnost: **2417 kg**
- Max. speed / Höchstgeschwindigkeit / Max. rychlost: **535 km/h**
- Max. ceiling / Dienstgipfelhöhe / Dostup: **8 500 m**
- Max. range / Reichweite / Dolet: **550 km**
- Engine / Triebwerk / Motor: **AVIA 12Yers, 860 hp**



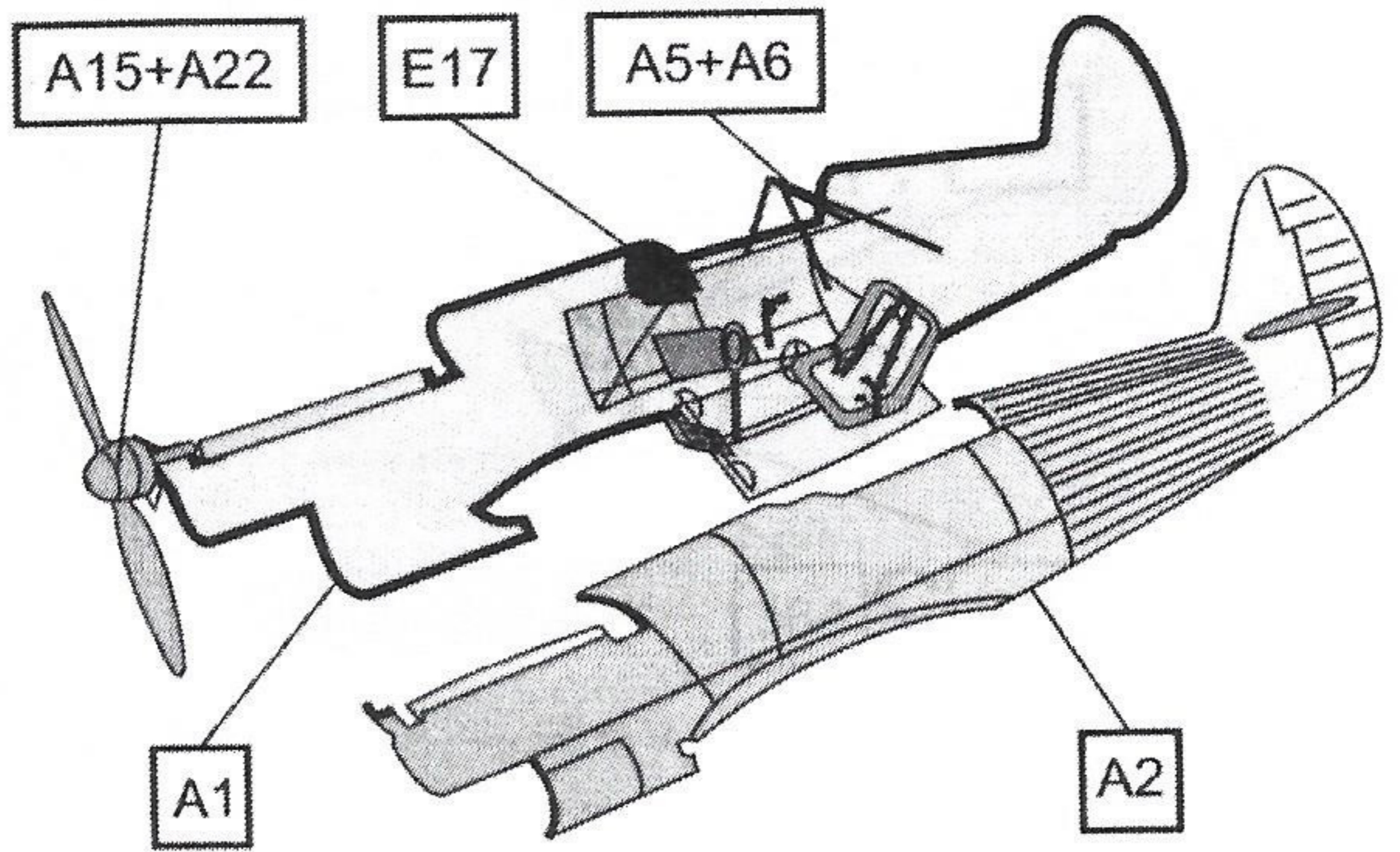
KIT No.	USED PARTS
92204	A7a, A13c, A13d, A15a, A15b, A18, A8a, A8b
92241	A7b, A13a, A13b, A15b, A17, A8c, A8d



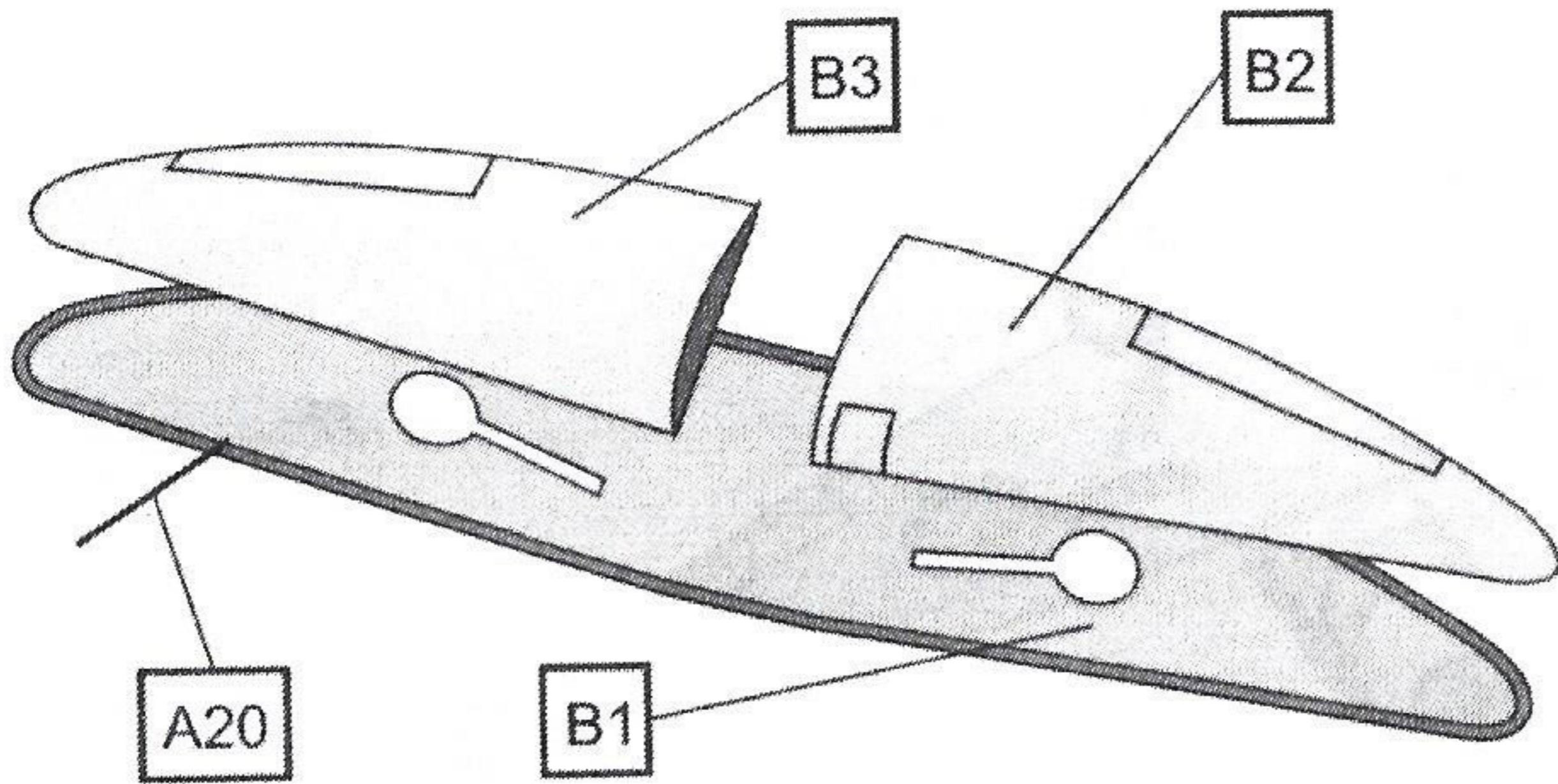
7



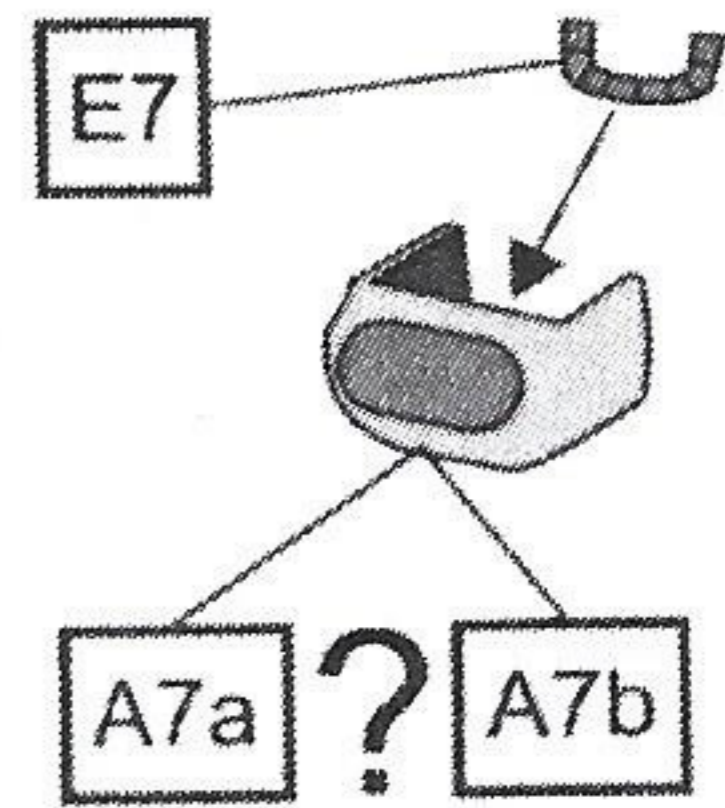
8



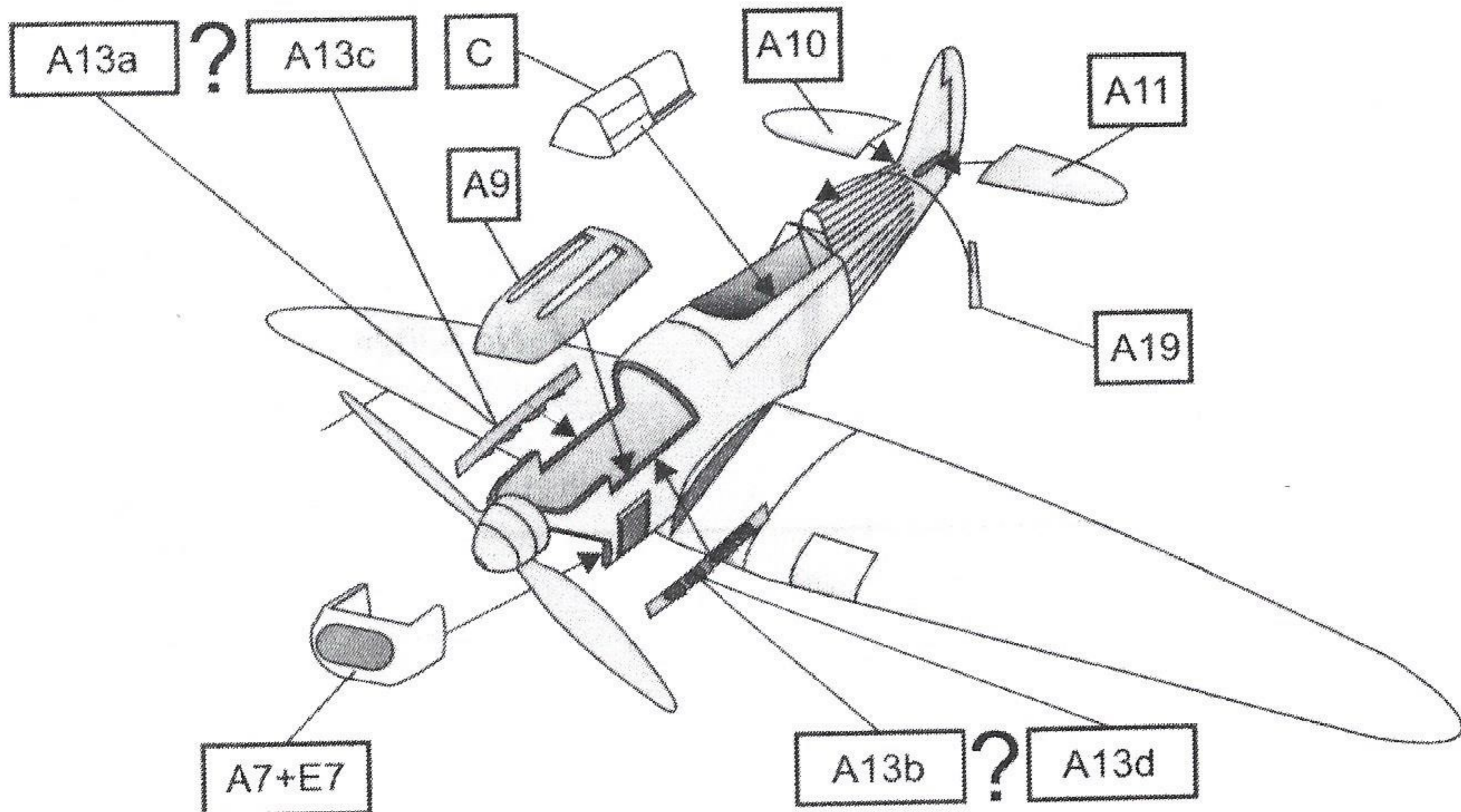
9



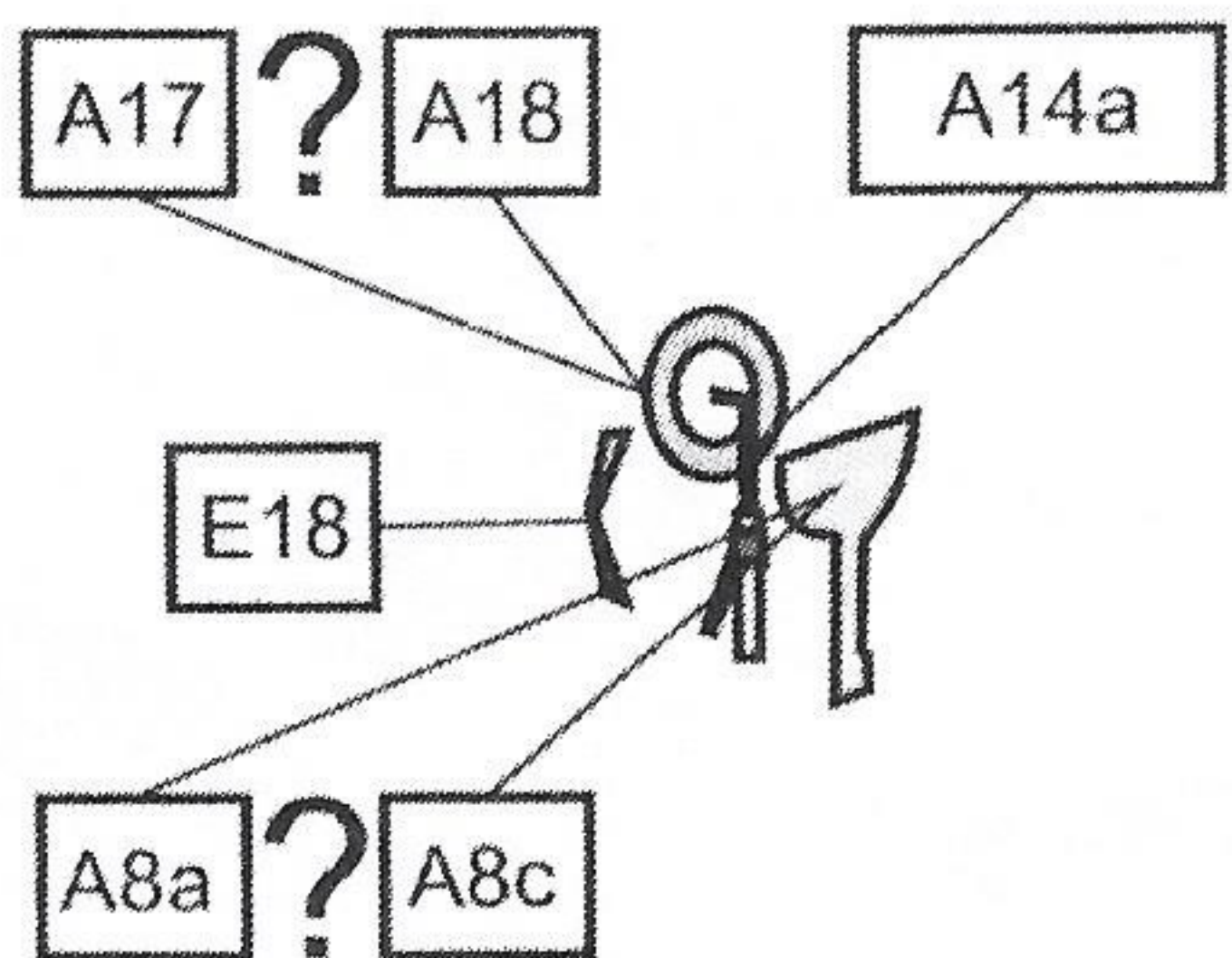
10



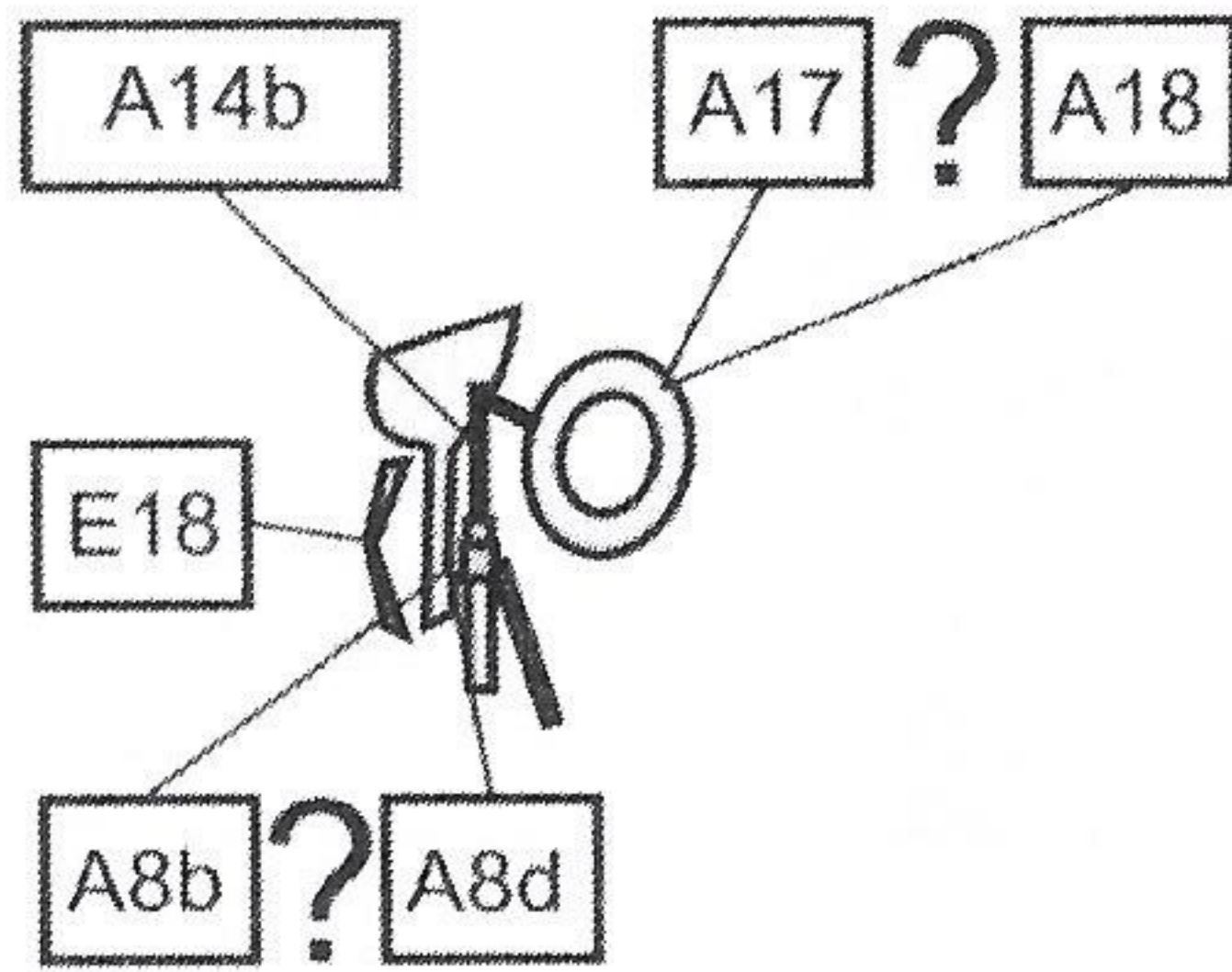
11



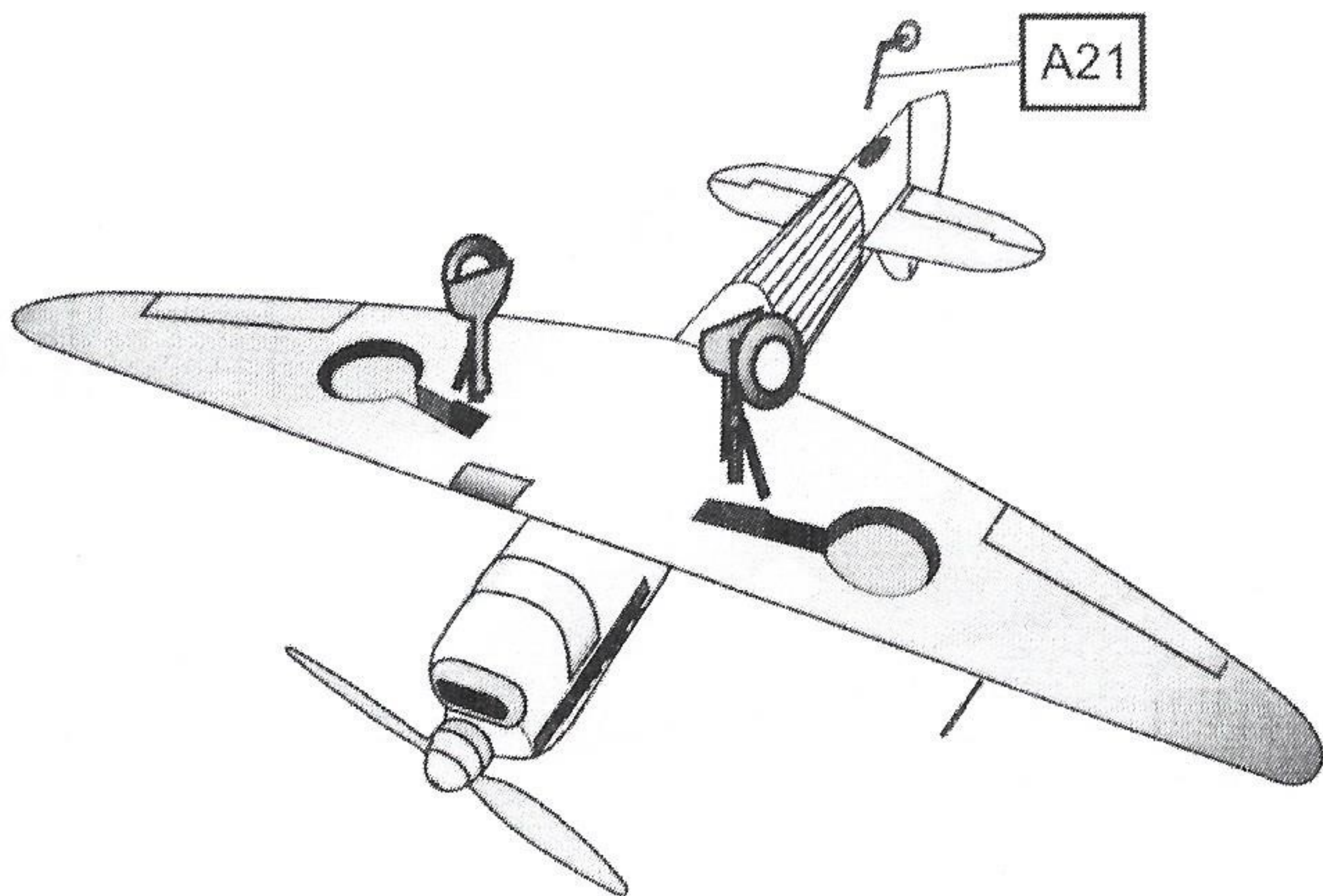
12



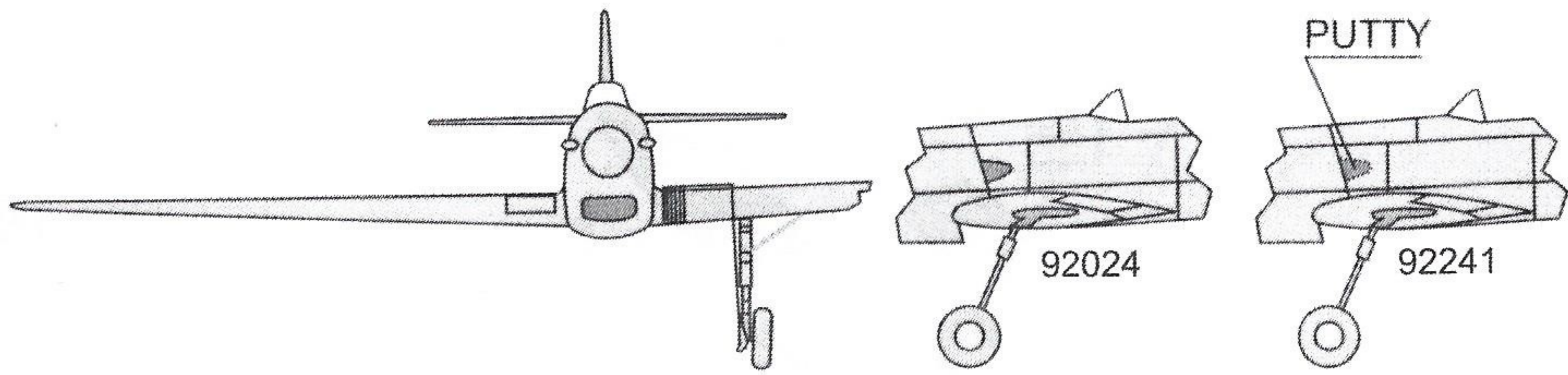
13



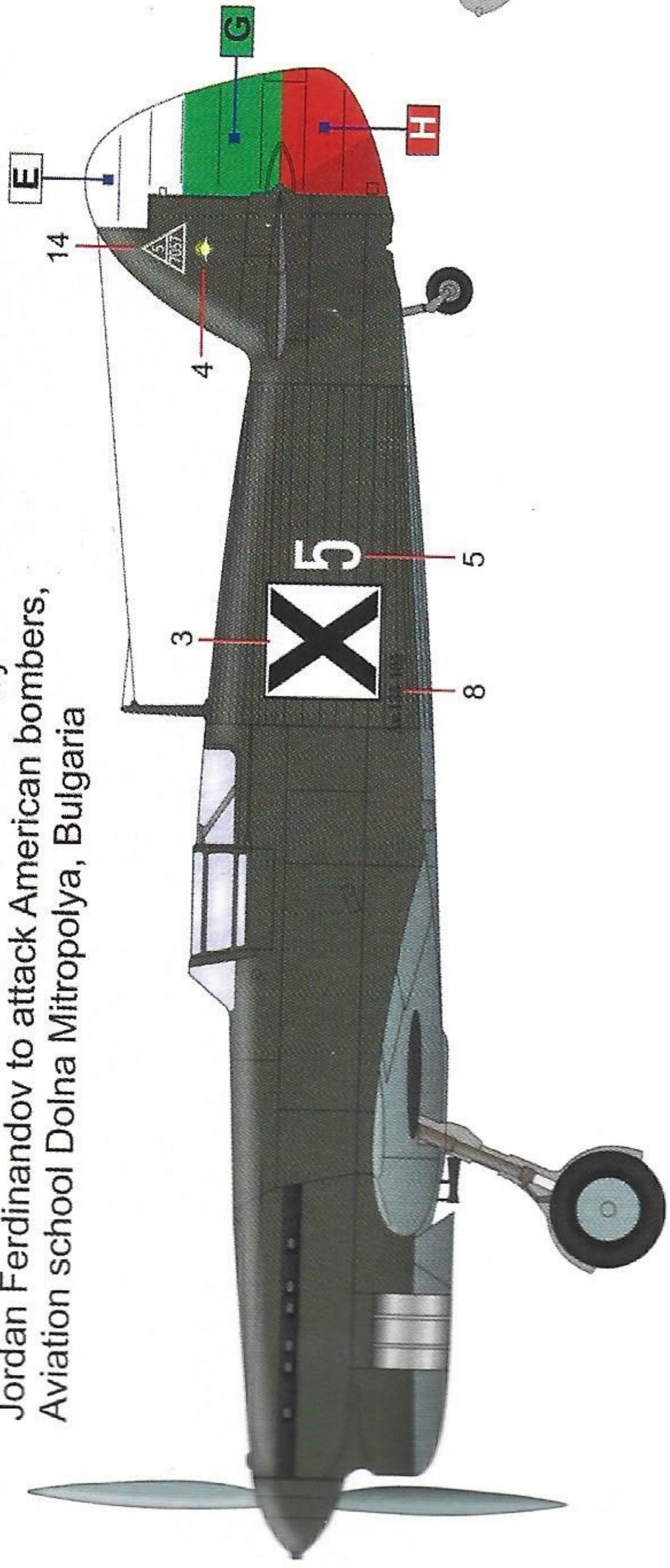
14



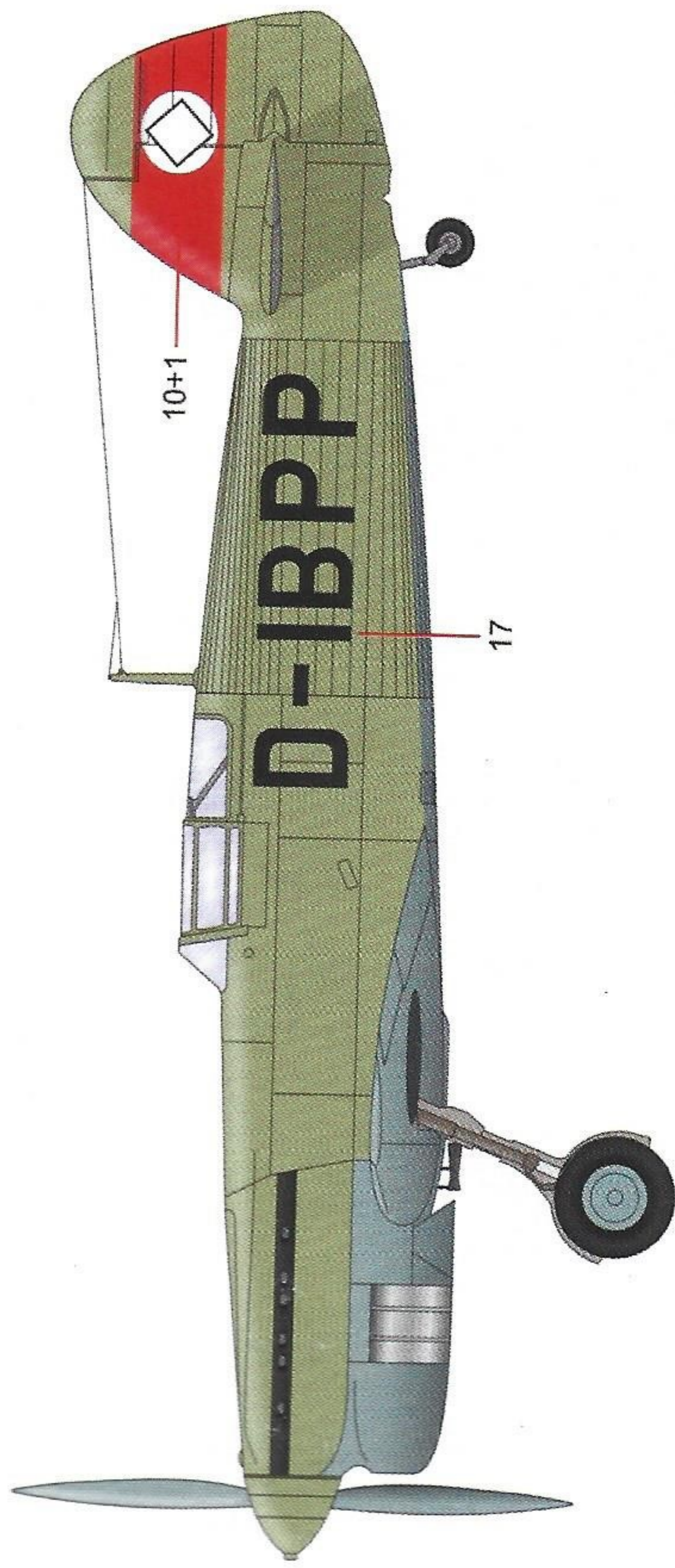
15



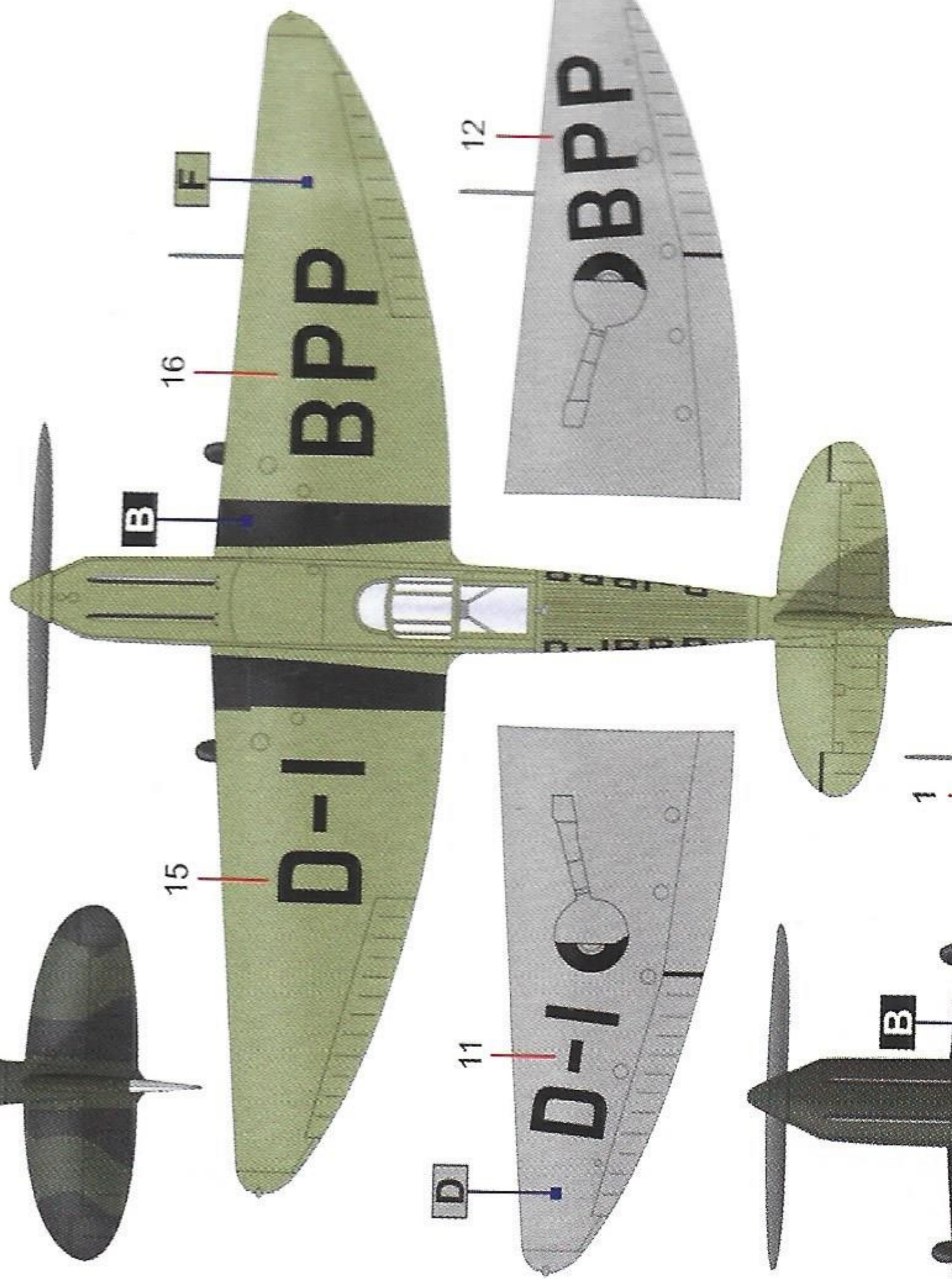
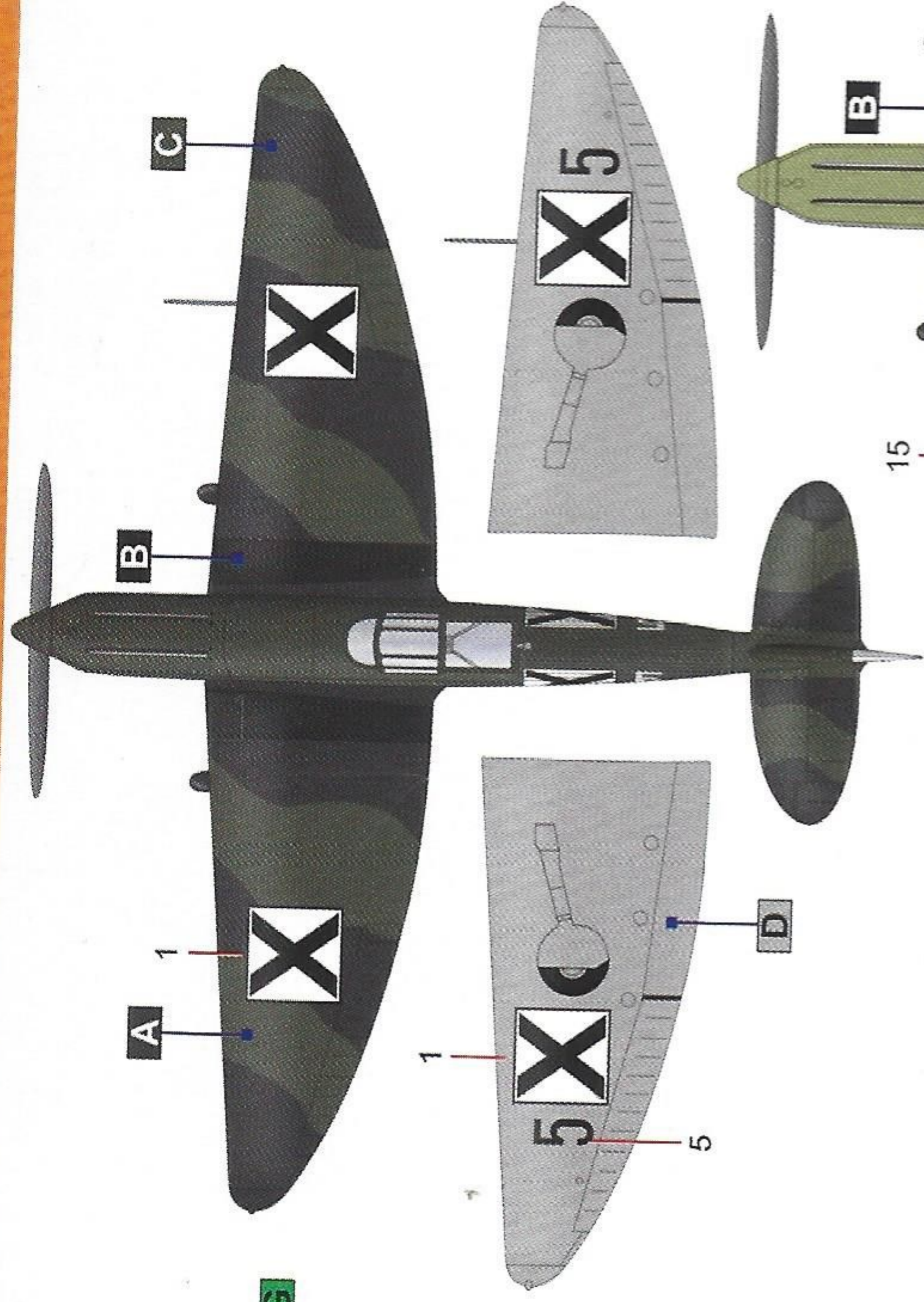
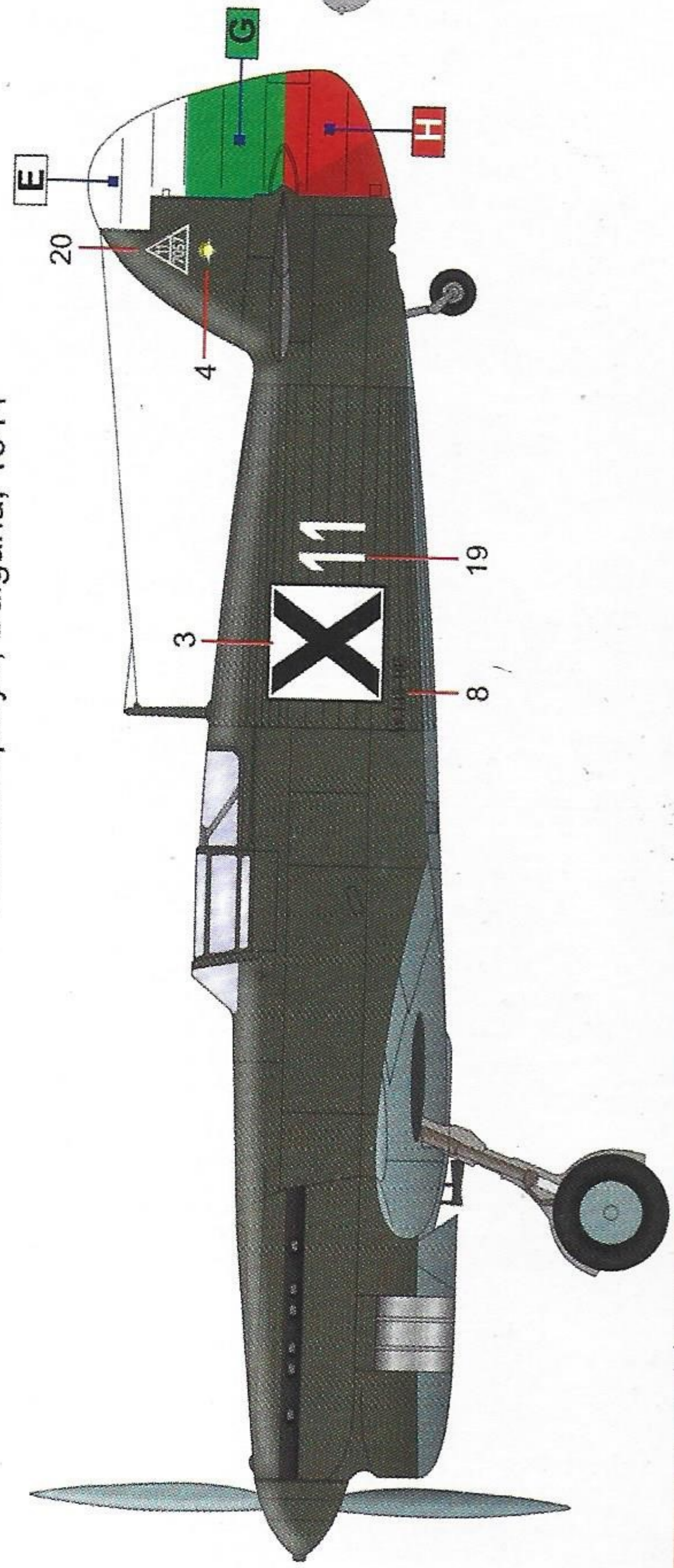
① Avia B-135, 105 flown on 30th March 1944 by Jordan Ferdinandov to attack American bombers, Aviation school Dolna Mitropolya, Bulgaria



② Avia B-135, FVA Flugtechnische Versuchsanstalt Prag, Letnany 1940



③ Avia B-135, Aviation school Dolna Mitropolya, Bulgaria, 1944



RS
MODELS

U Iomu 7
795 01 Rýmařov
rsmodels@rsmodels.cz
www.rsmodels.cz
Czech Republic

- A** RLM 71
- B** Black / Černá
- C** RLM 70
- D** RLM 65
- E** White / Bílá
- F** RLM 02
- G** Green / Zelená
- H** Red / Červená