

**eduard**  
LIMITED EDITION

# Instruction Sheet



# Desert Babe

# 1/48

ATTENTION



UPOZORNĚNÍ



ACHTUNG



ATTENTION



注意



Carefully read instruction sheet before assembling. When you use glue or paint, do not use near open flame and use in well ventilated room. Keep out of reach of small children. Children must not be allowed to suck any part, or pull vinyl bag over the head.



Před započítím stavby si pečlivě prostudujte stavební návod. Při používání barev a lepidel pracujte v dobře větrané místnosti. Lepidla ani barvy nepoužívejte v blízkosti otevřeného ohně. Model není určen malým dětem, mohlo by dojít k požití drobných dílů.

INSTRUCTION SIGNS \* INSTR. SYMBOLS \* INSTRUKTION SINNBILDEN \* SYMBOLES \* 記号の説明

OPTIONAL  
VOLBABEND  
OHNOUTSAND  
BROUSITOPEN HOLE  
VYVRTAT OTVORSYMETRICAL ASSEMBLY  
SYMETRICKÁ MONTÁŽREMOVE  
ODŘÍZNOUTREVERSE SIDE  
OTOČITAPPLY EDUARD MASK  
AND PAINT  
POUŽIT EDUARD MASK  
NABARVIT

PARTS



DÍLY



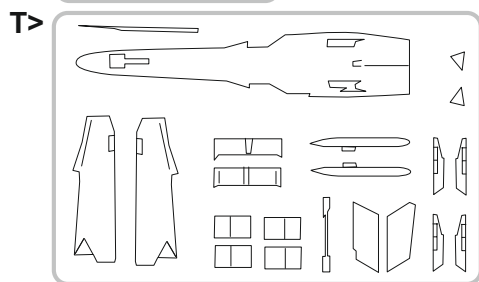
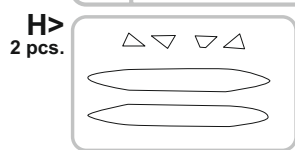
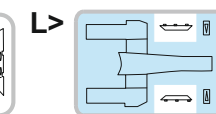
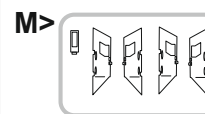
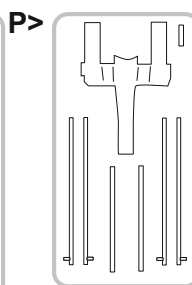
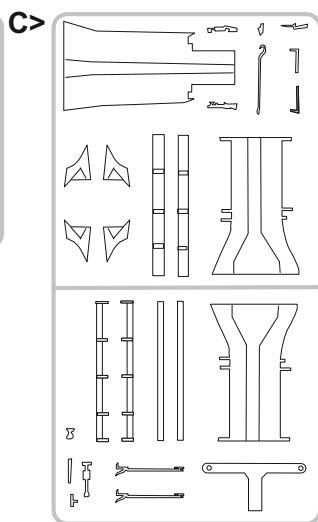
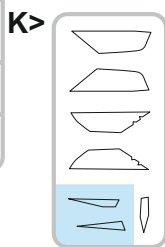
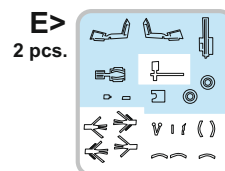
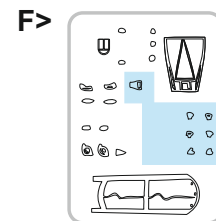
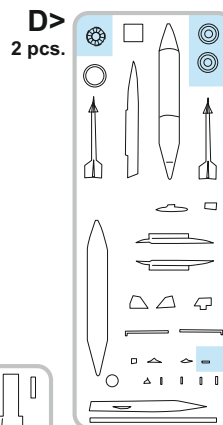
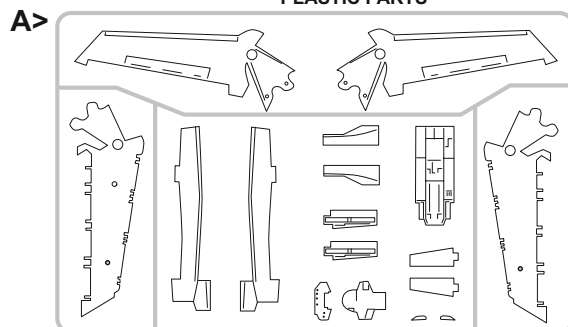
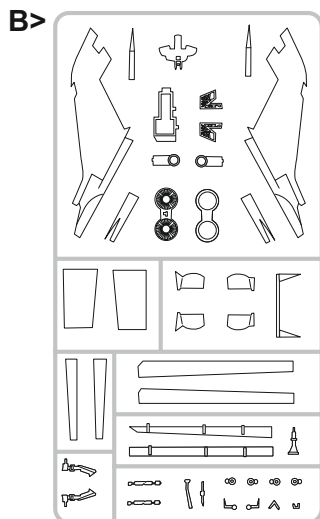
TEILE



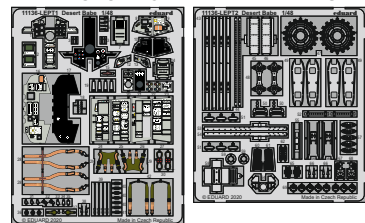
PIÈCES



部品



PE - PHOTO ETCHED DETAIL PARTS



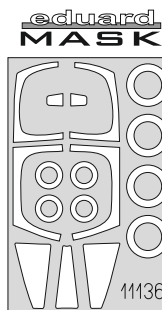
RP - RESIN PARTS



R1 2pcs.



FILM

11136  
Desert Babe

-Parts not for use. -Teile werden nicht verwendet. -Pièces à ne pas utiliser. -Tyto díly nepoužívejte při stavbě. - 使用しない部品

COLOURS



BARVY



FARBEN



PEINTURE

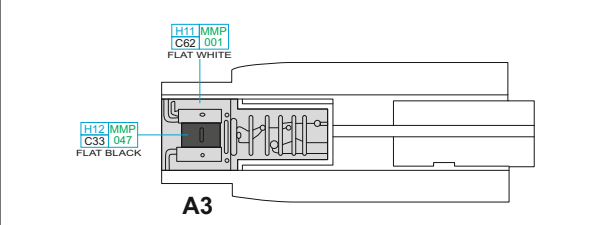
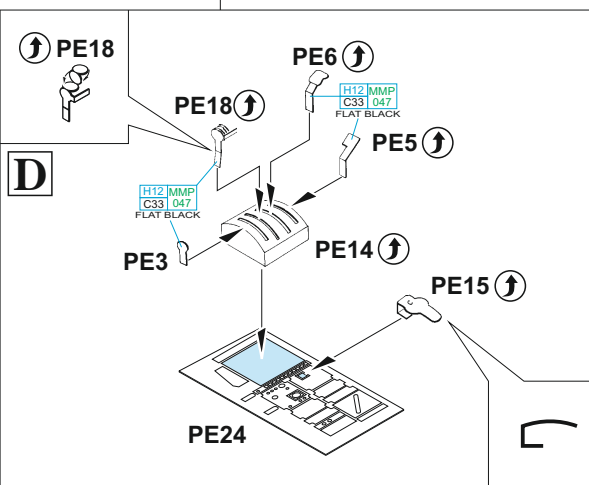
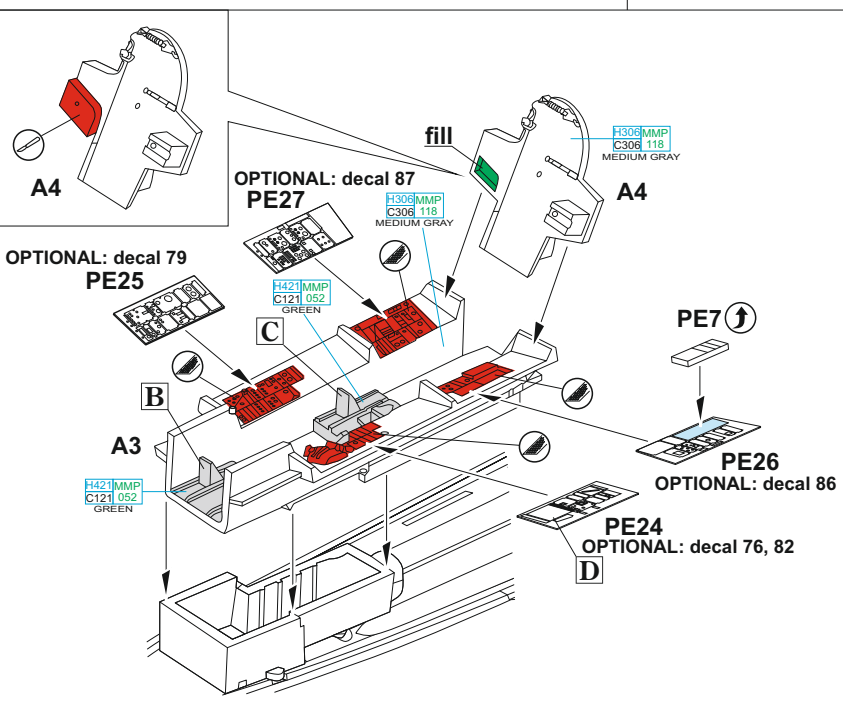
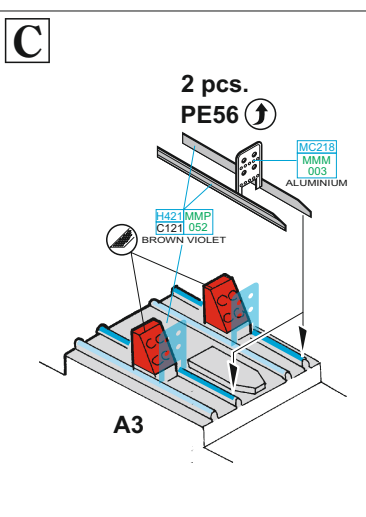
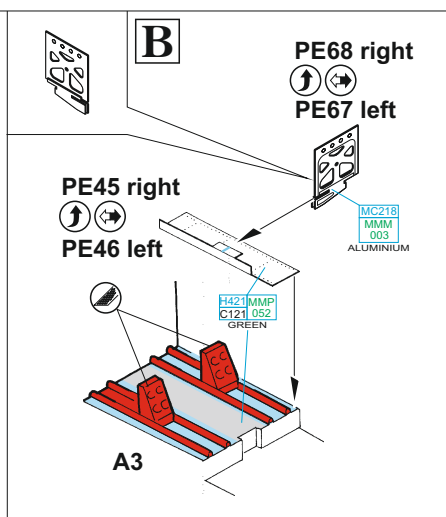
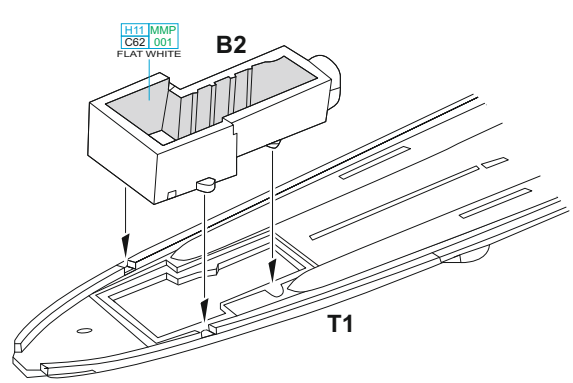
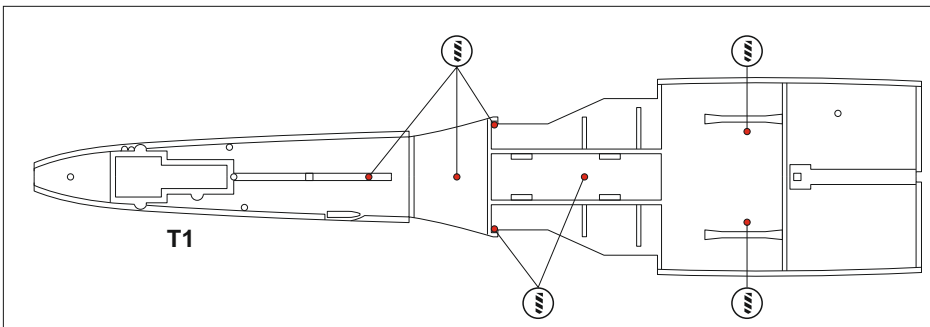
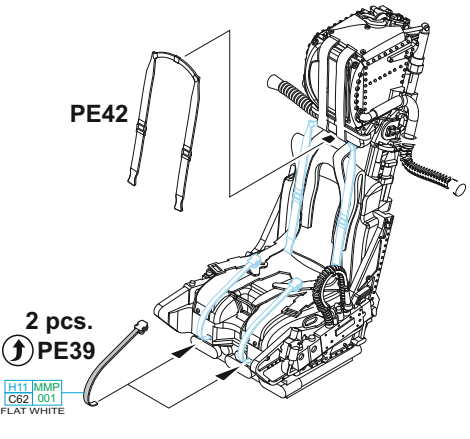
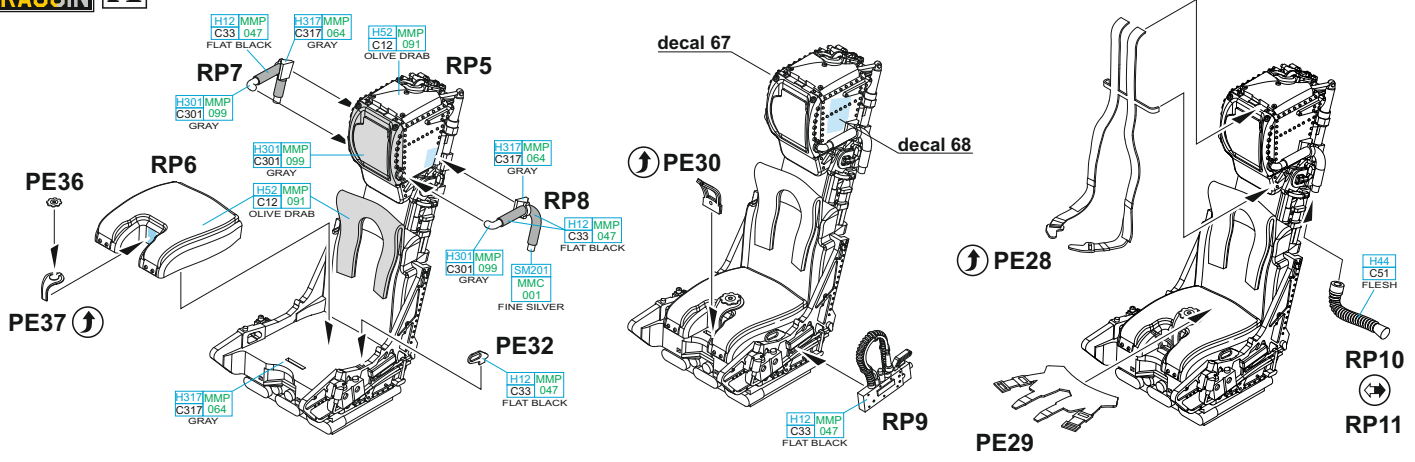


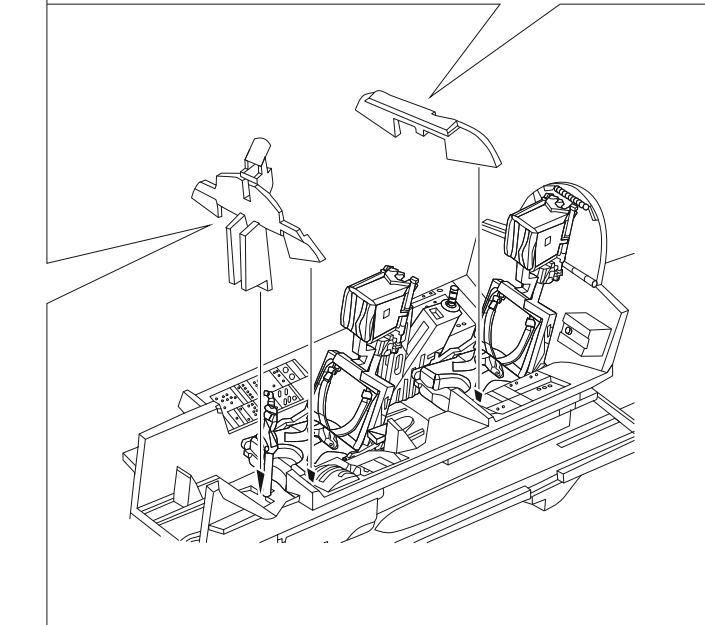
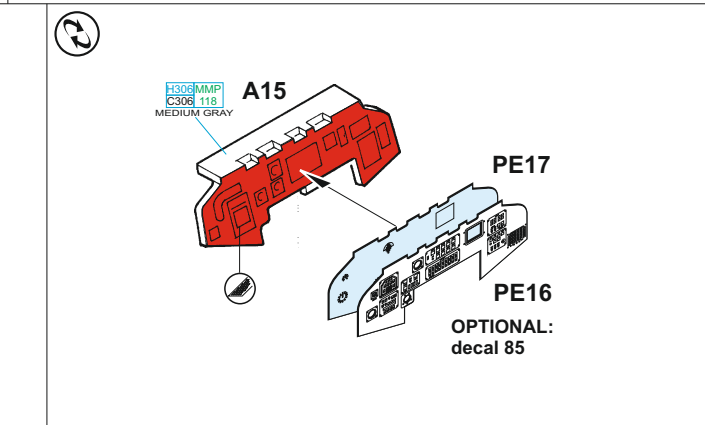
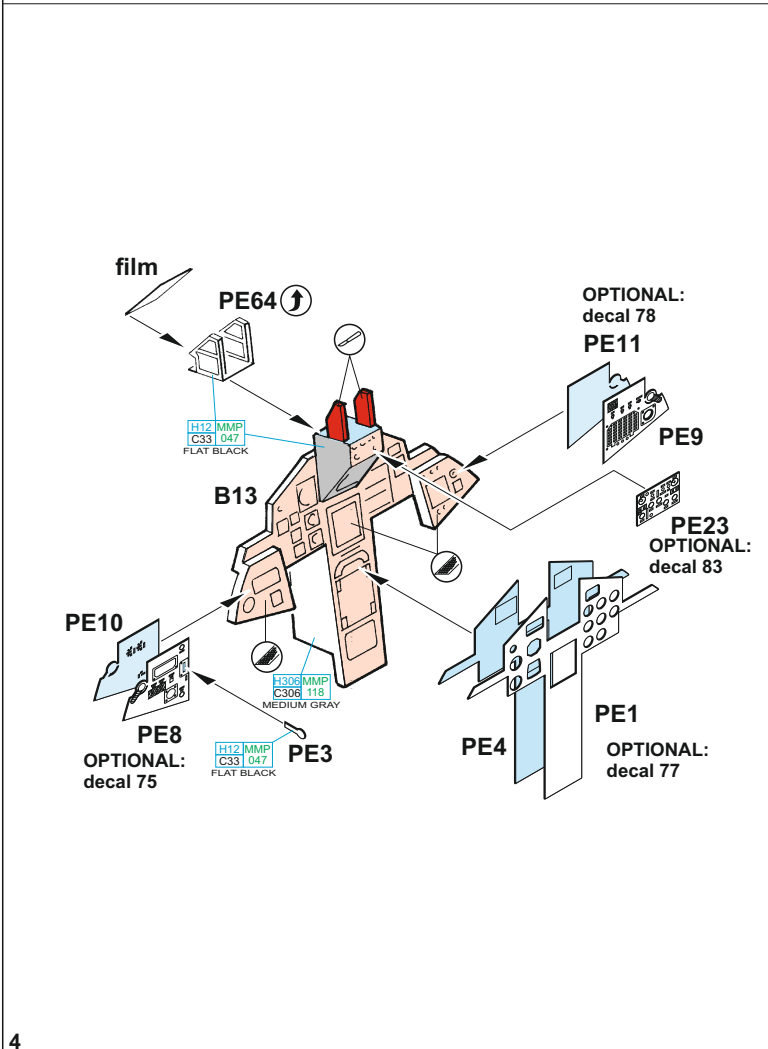
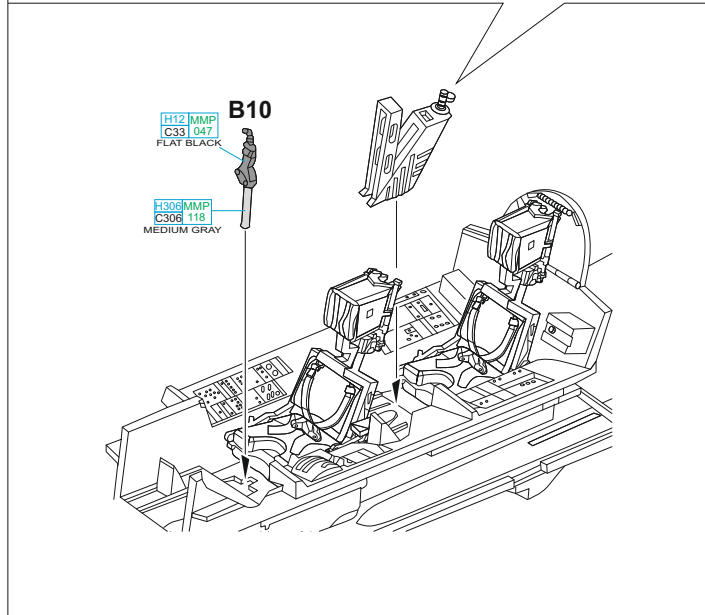
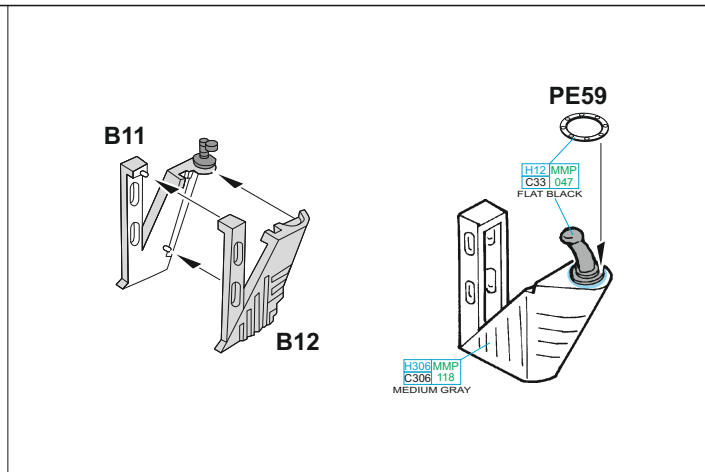
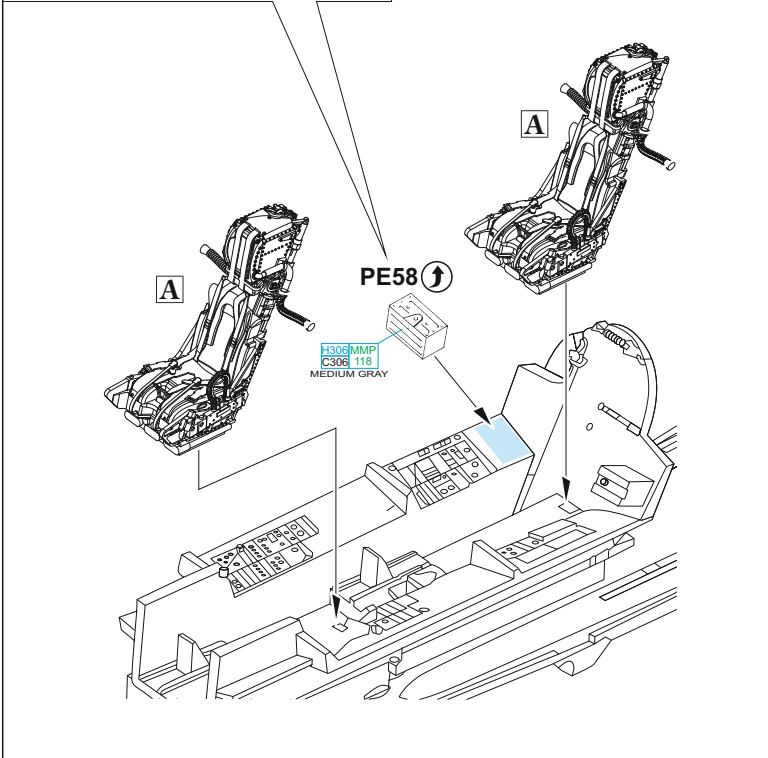
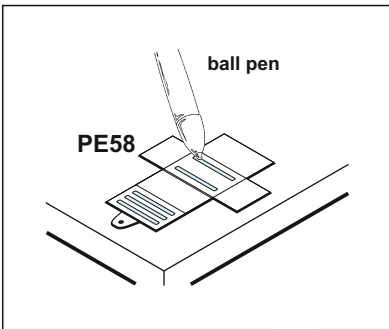
色

GSI Creos (GUNZE)		MISSION MODELS	
AQUEOUS	Mr.COLOR	PAINTS	
<a href="#">H11</a>	<a href="#">C62</a>	<a href="#">MMP-001</a>	FLAT WHITE
<a href="#">H12</a>	<a href="#">C33</a>	<a href="#">MMP-047</a>	FLAT BLACK
<a href="#">H44</a>	<a href="#">C51</a>		FLESH
<a href="#">H52</a>	<a href="#">C12</a>	<a href="#">MMP-091</a>	OLIVE DRAB
<a href="#">H77</a>	<a href="#">C137</a>	<a href="#">MMP-040</a>	TIRE BLACK
<a href="#">H90</a>	<a href="#">C47</a>		CLEAR RED
<a href="#">H94</a>	<a href="#">C138</a>		CLEAR GREEN
<a href="#">H301</a>	<a href="#">C301</a>	<a href="#">MMP-099</a>	GRAY
<a href="#">H306</a>	<a href="#">C306</a>	<a href="#">MMP-118</a>	MEDIUM GRAY
<a href="#">H310</a>	<a href="#">C310</a>		BROWN
<a href="#">H317</a>	<a href="#">C317</a>	<a href="#">MMP-064</a>	GRAY

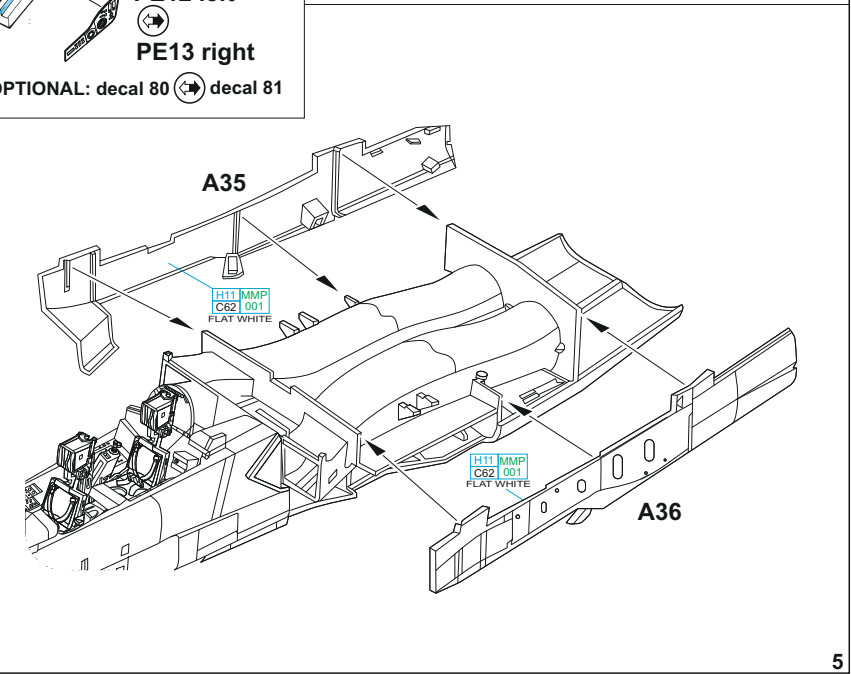
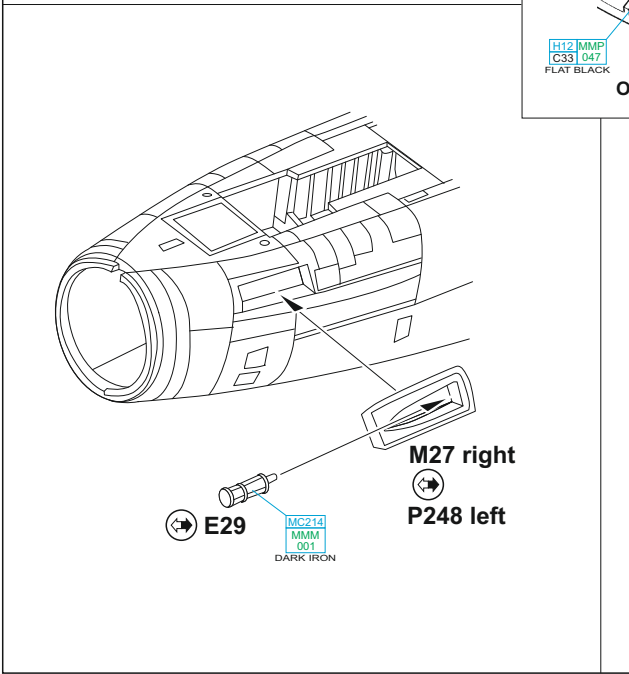
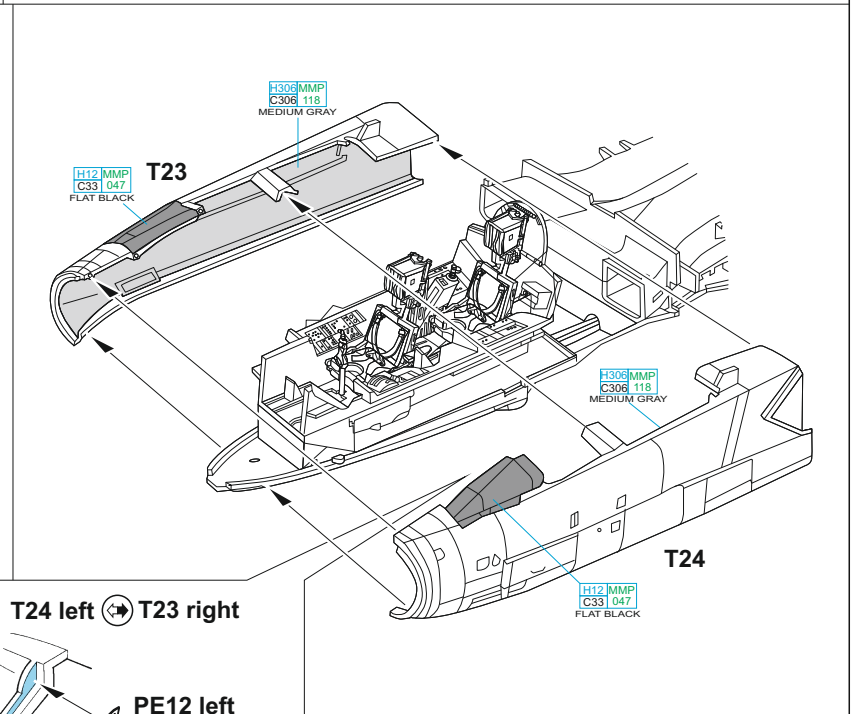
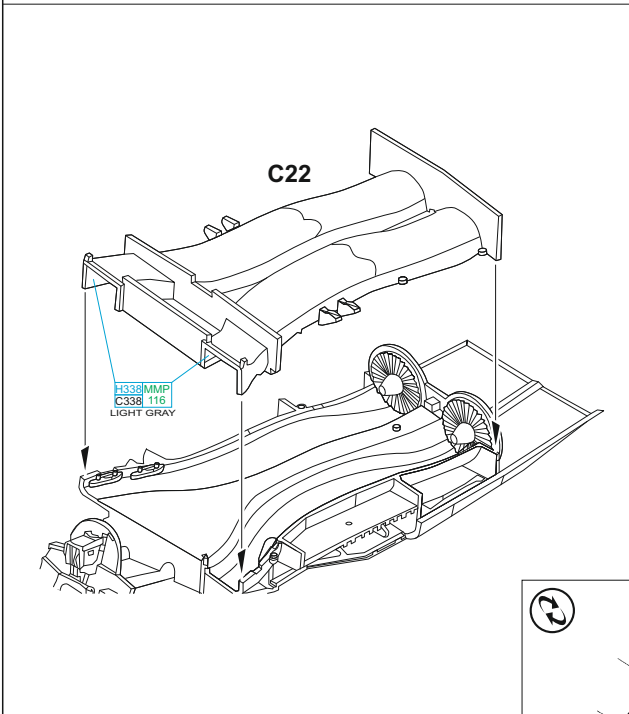
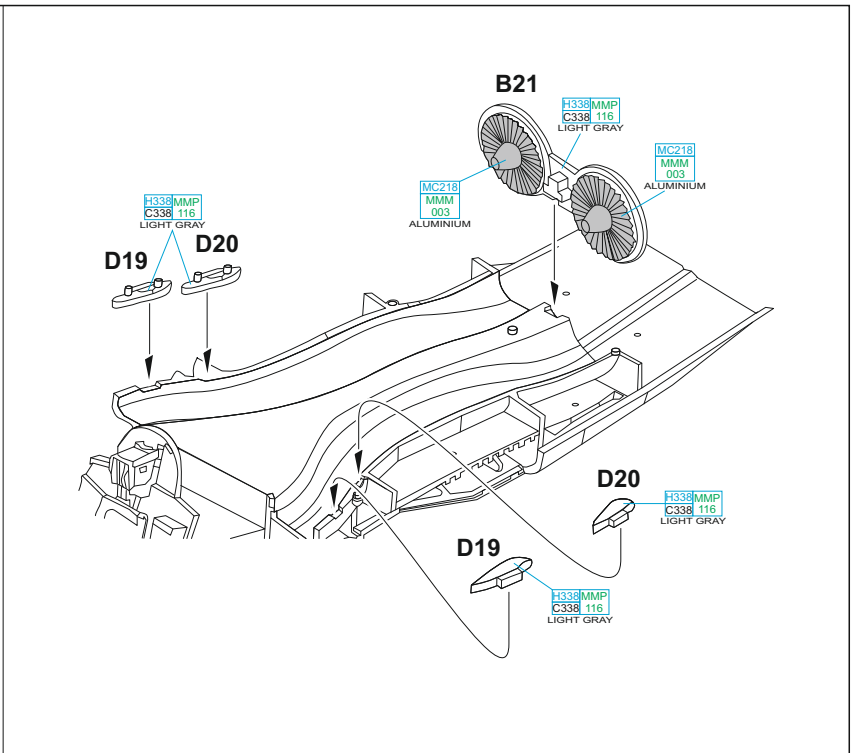
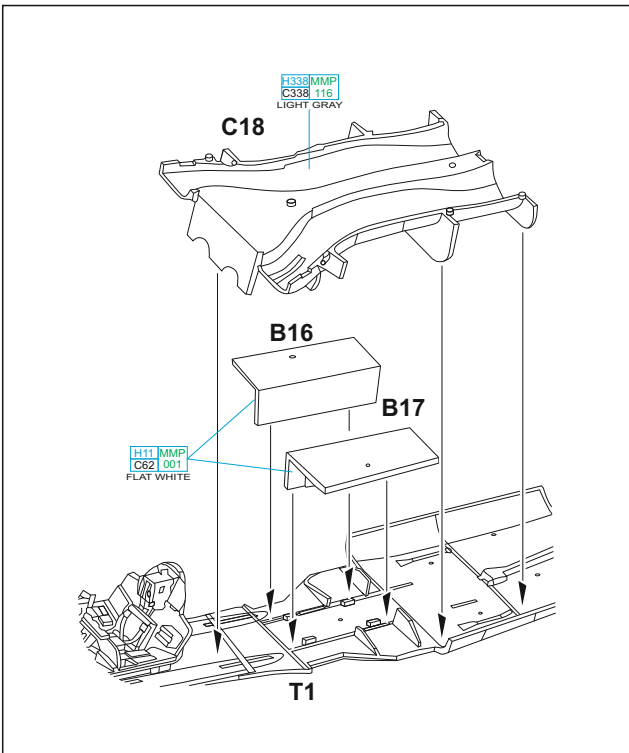
GSI Creos (GUNZE)			MISSION MODELS
AQUEOUS	Mr.COLOR	PAINTS	
<a href="#">H331</a>	<a href="#">C331</a>		DARK SEAGRAY
<a href="#">H338</a>	<a href="#">C338</a>	<a href="#">MMP-116</a>	LIGHT GRAY
<a href="#">H421</a>	<a href="#">C121</a>	<a href="#">MMP-052</a>	GREEN
	<a href="#">C124</a>		DARK GREEN
Mr.METAL COLOR			METALLICS
<a href="#">MC213</a>		<a href="#">MMM-006</a>	STAINLESS
<a href="#">MC214</a>		<a href="#">MMM-001</a>	DARK IRON
<a href="#">MC218</a>		<a href="#">MMM-001</a>	ALUMINIUM
Mr.COLOR SUPER METALLIC			METALLICS
<a href="#">SM201</a>		<a href="#">MMC-001</a>	SUPER FINE SILVER






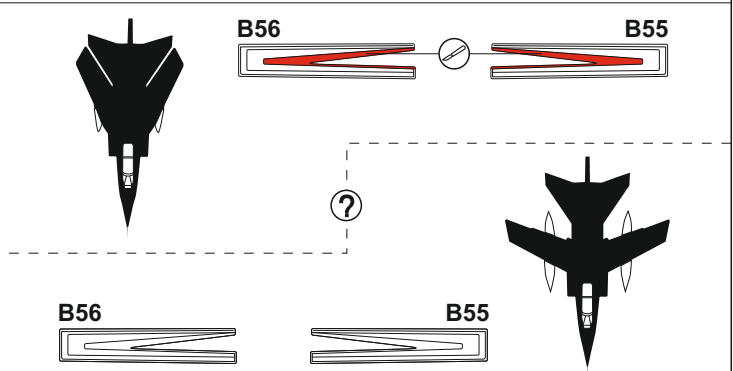
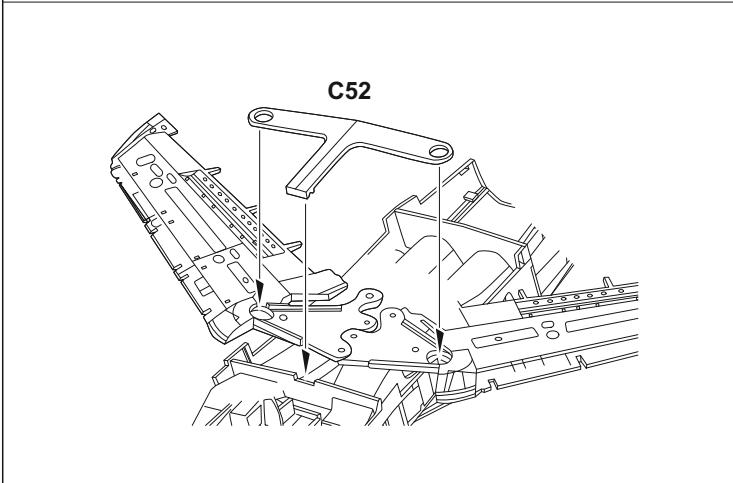
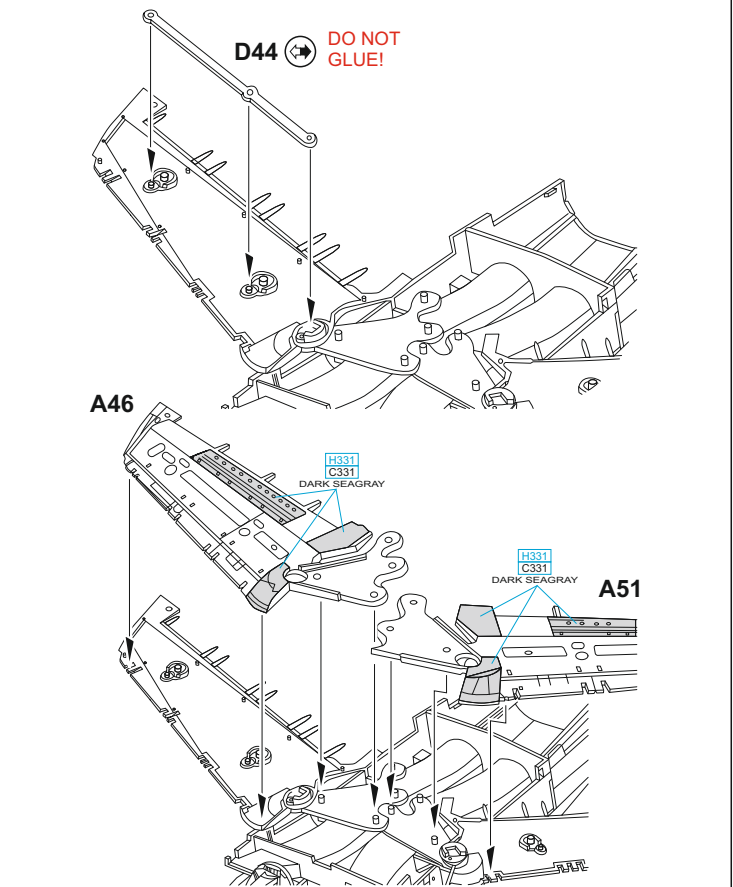
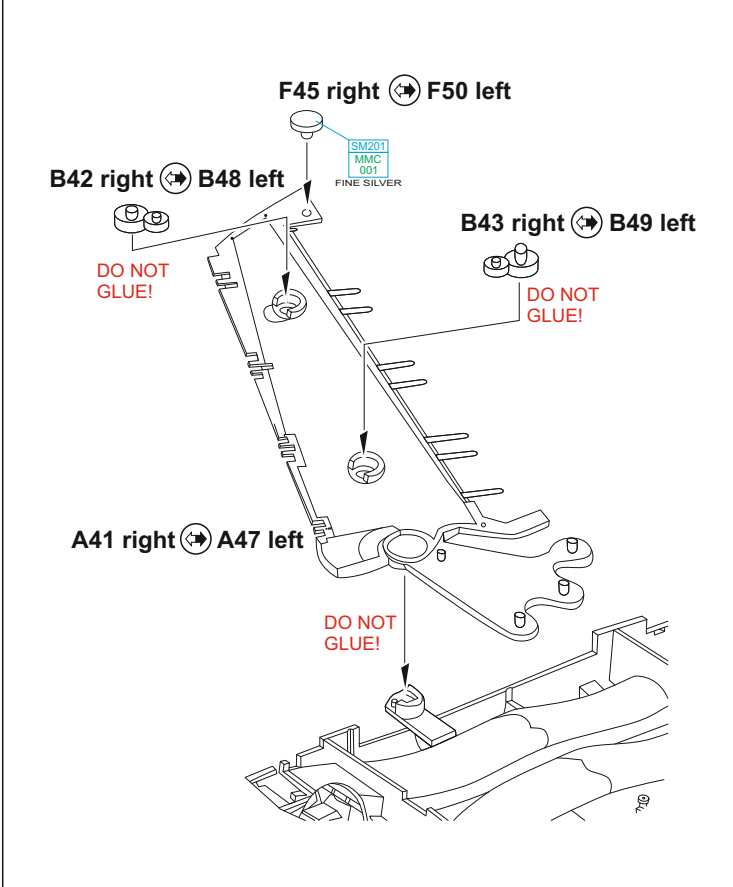
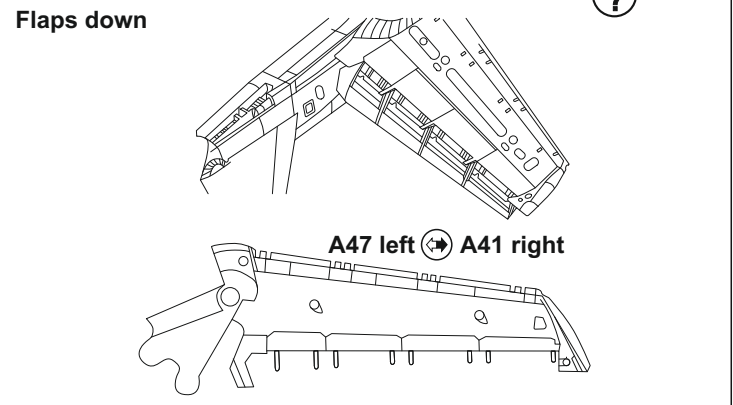
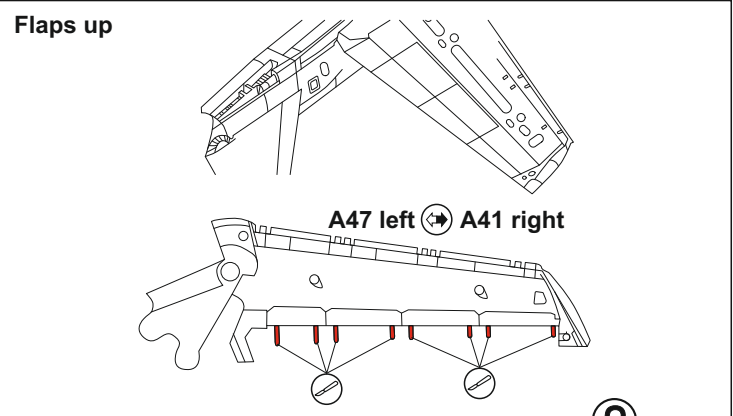
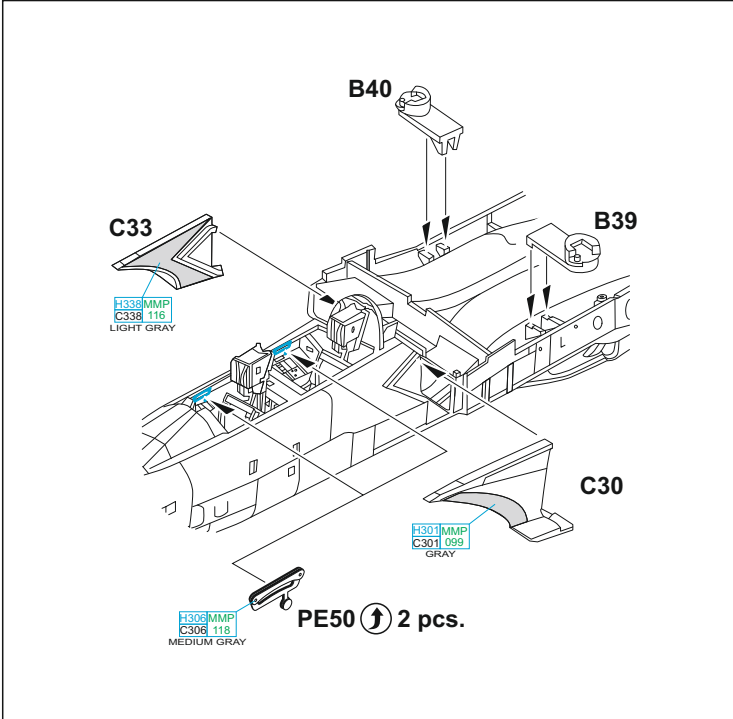


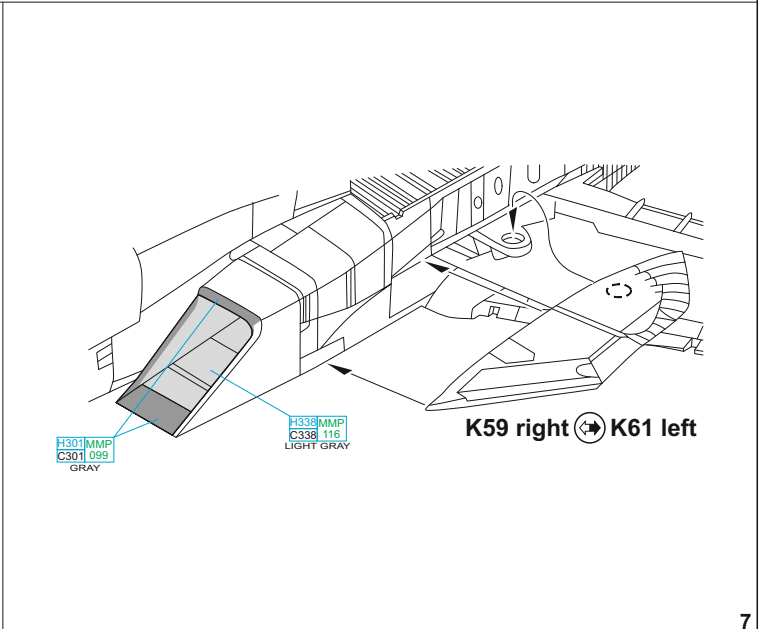
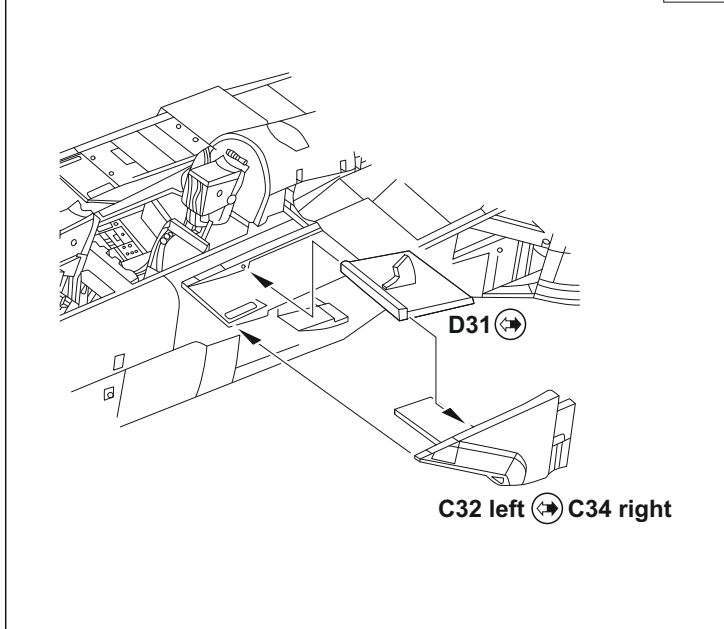
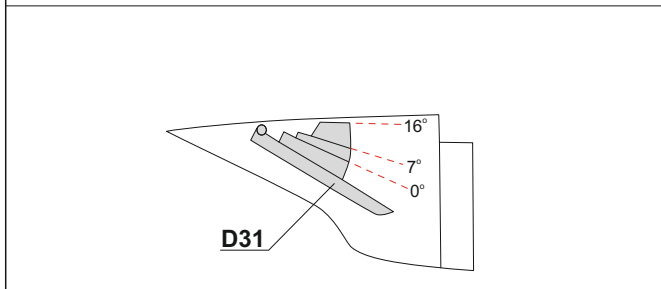
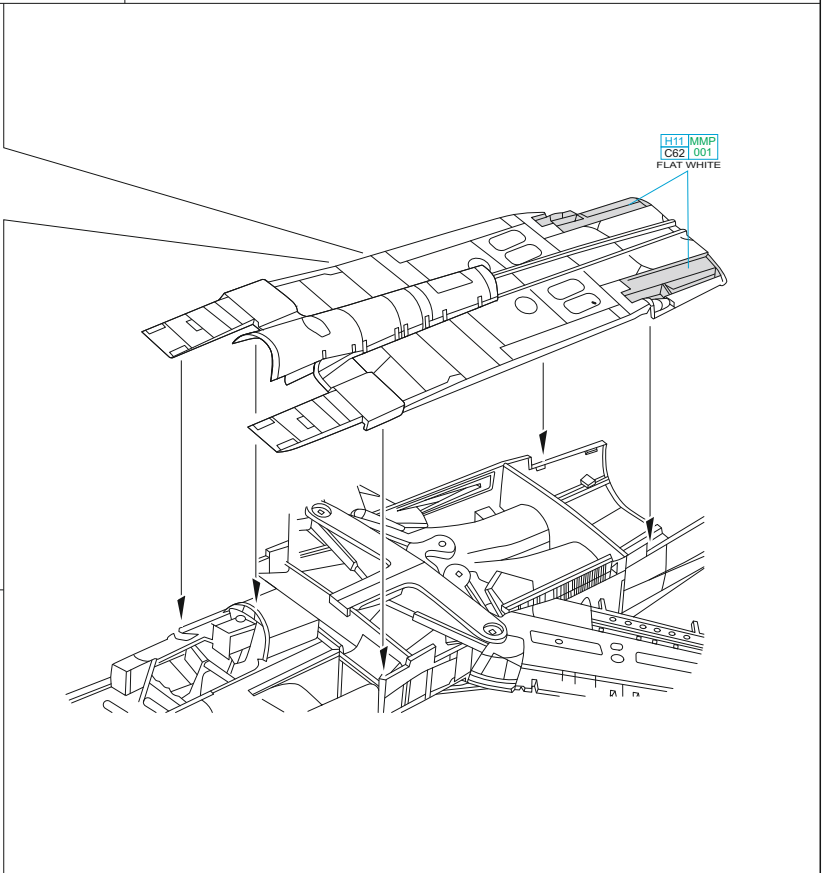
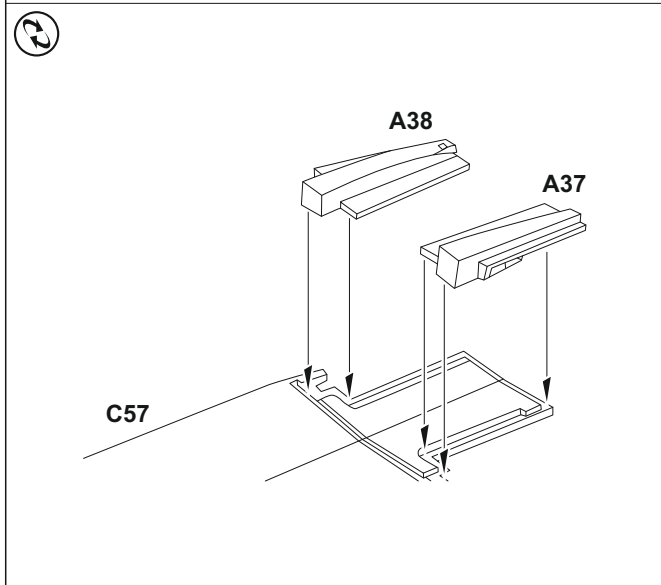
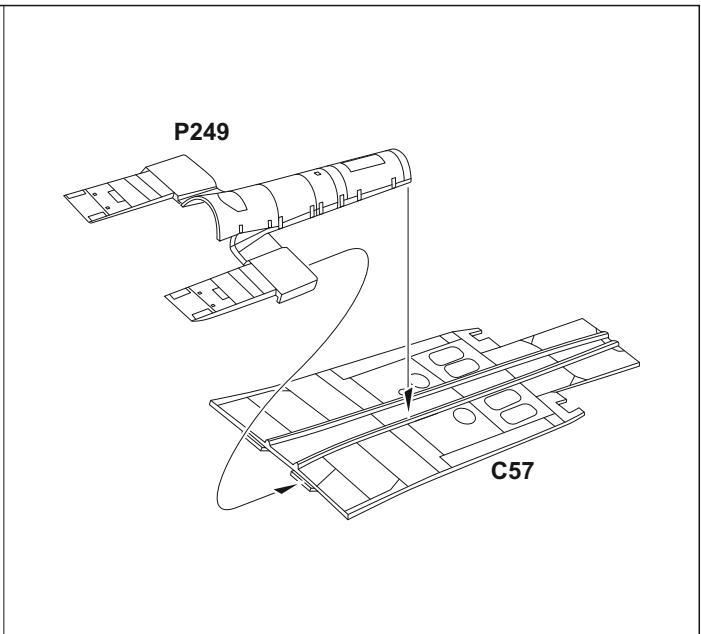
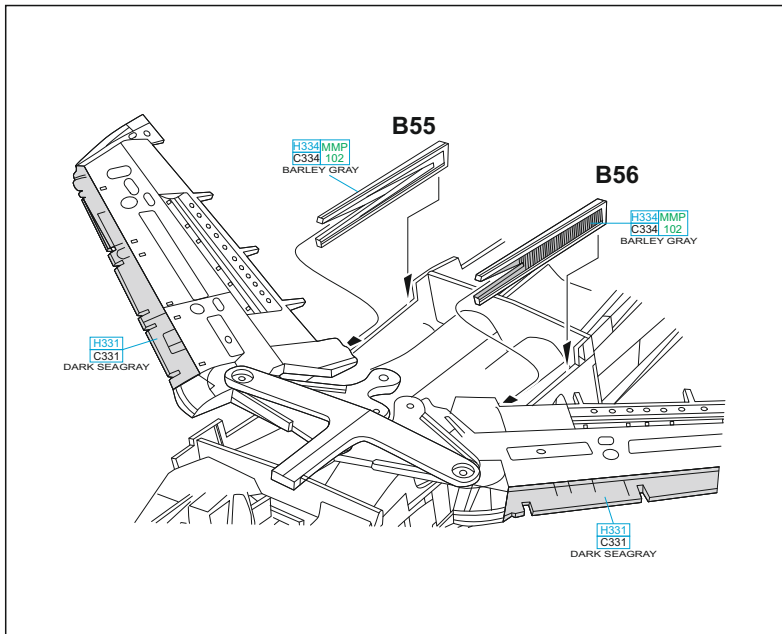







**T24 left** ↔ **T23 right**  
 **PE12 left**  
 **PE13 right**  
**OPTIONAL: decal 80** ↔ **decal 81**

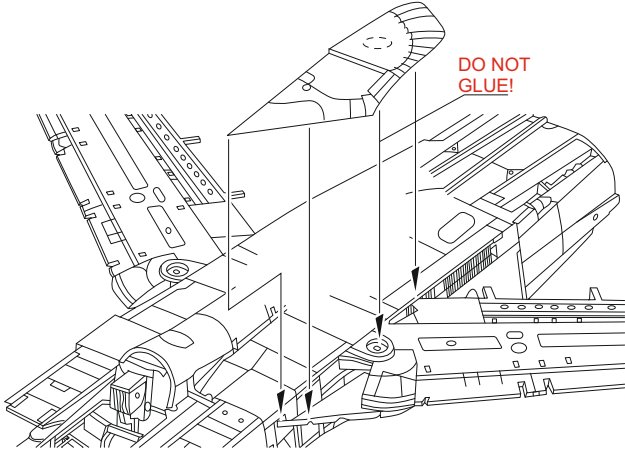




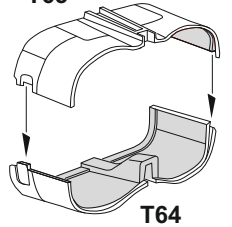


K62 left ↔ K60 right

DO NOT  
GLUE!



T65



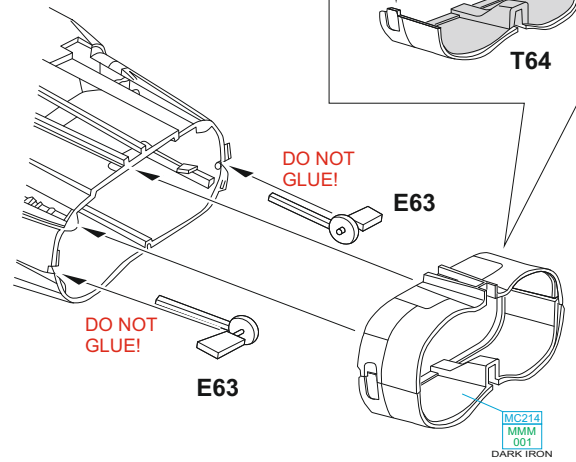
T64

DO NOT  
GLUE!

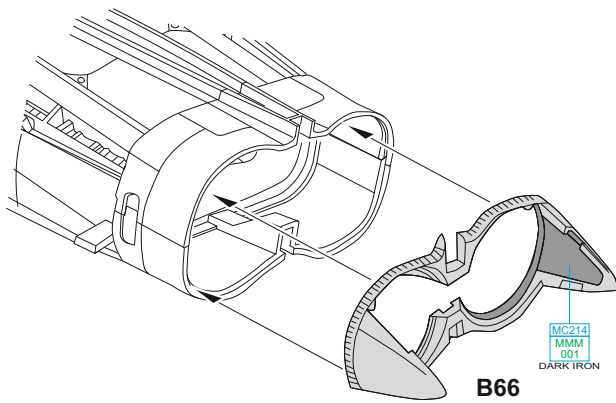
E63

DO NOT  
GLUE!

E63



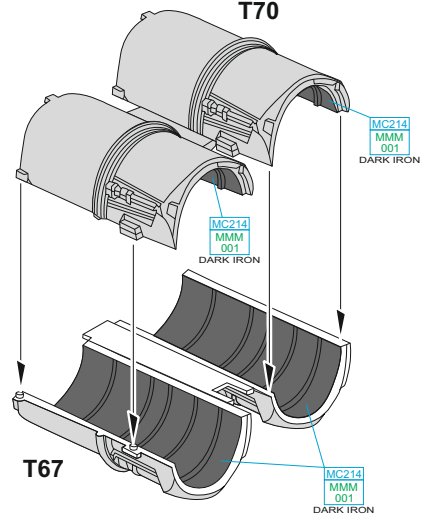
MC214  
MMM  
001  
DARK IRON



B66

MC214  
MMM  
001  
DARK IRON

T70

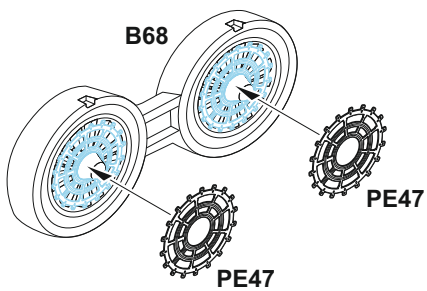


MC214  
MMM  
001  
DARK IRON

MC214  
MMM  
001  
DARK IRON

MC214  
MMM  
001  
DARK IRON

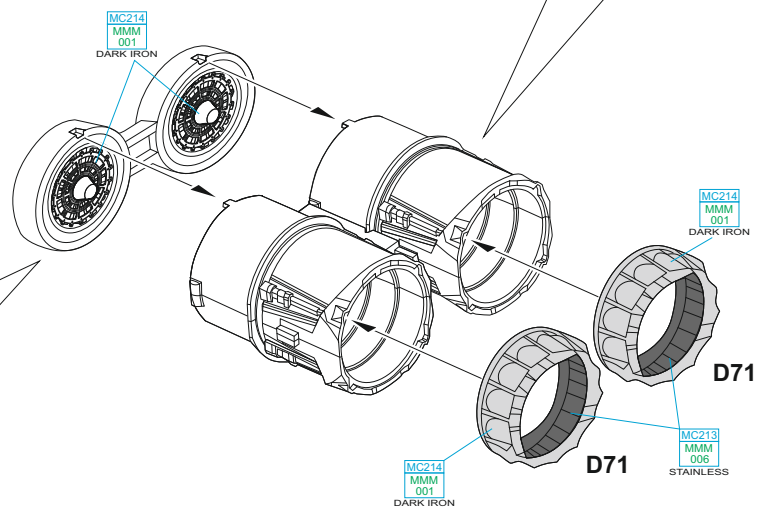
T67



B68

PE47

PE47



MC214  
MMM  
001  
DARK IRON

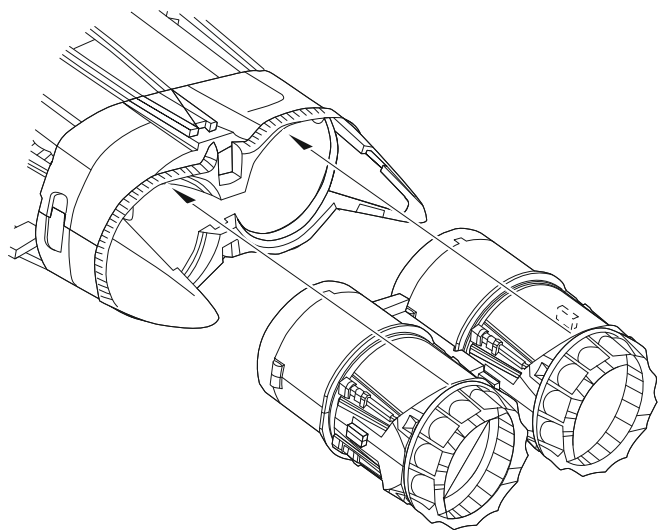
MC214  
MMM  
001  
DARK IRON

D71

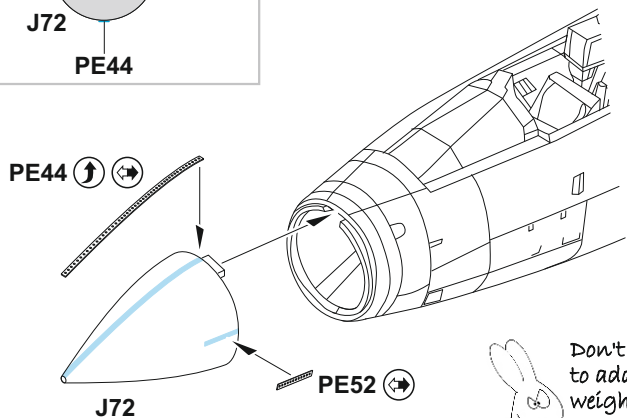
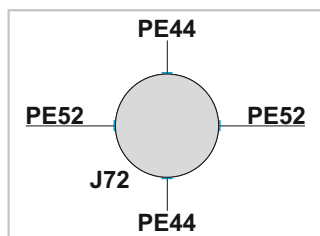
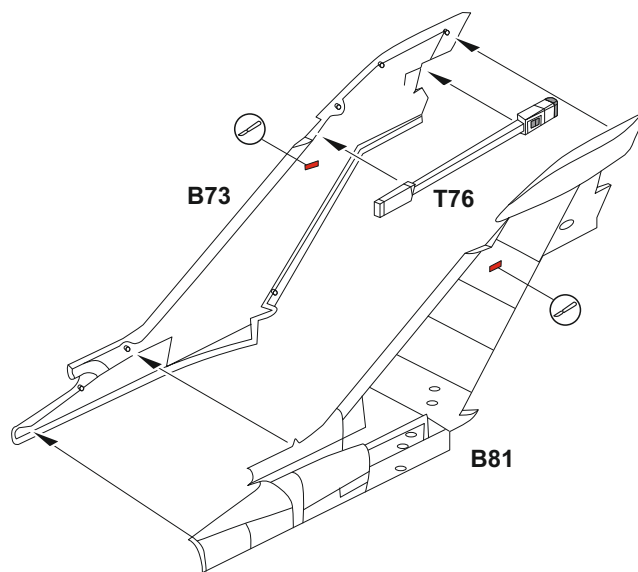
MC213  
MMM  
005  
STAINLESS

D71

MC214  
MMM  
001  
DARK IRON

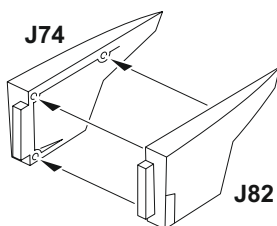


**E**

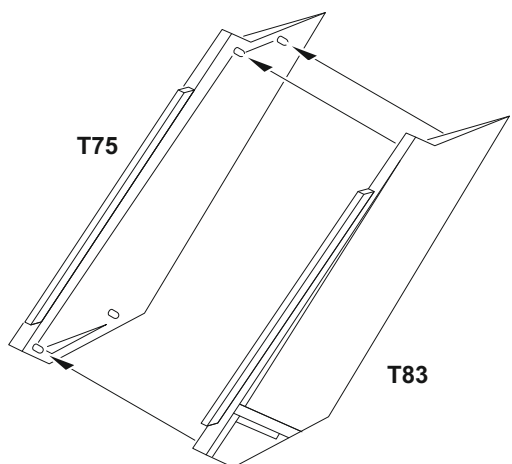


Don't forget to add the nose weight balance!

**F**



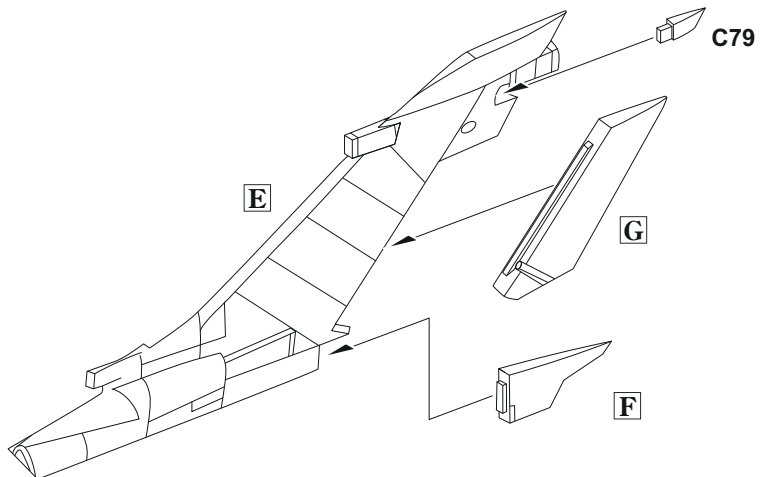
**G**

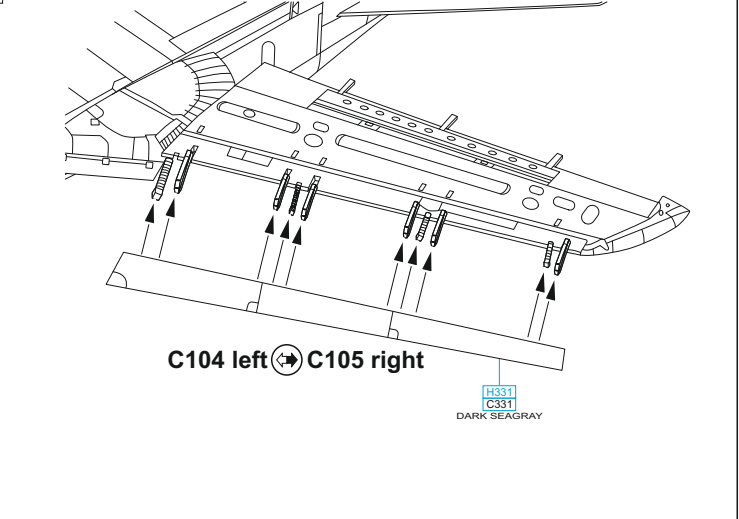
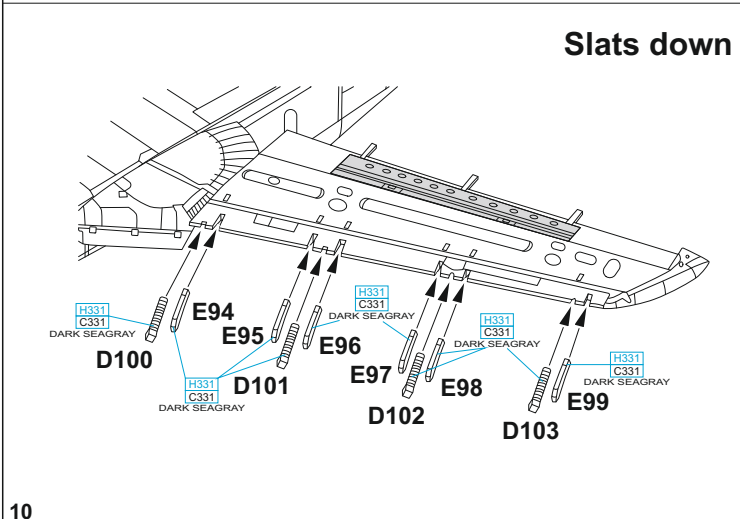
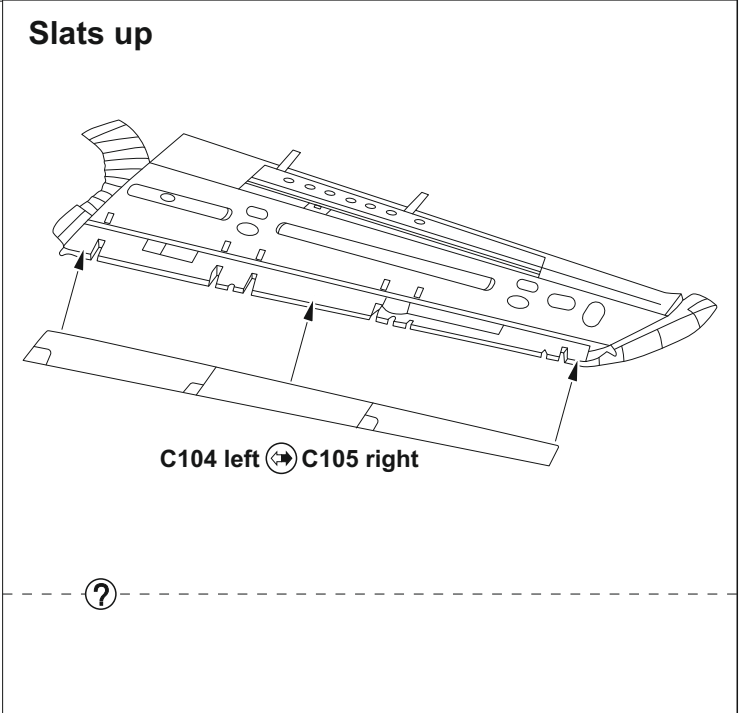
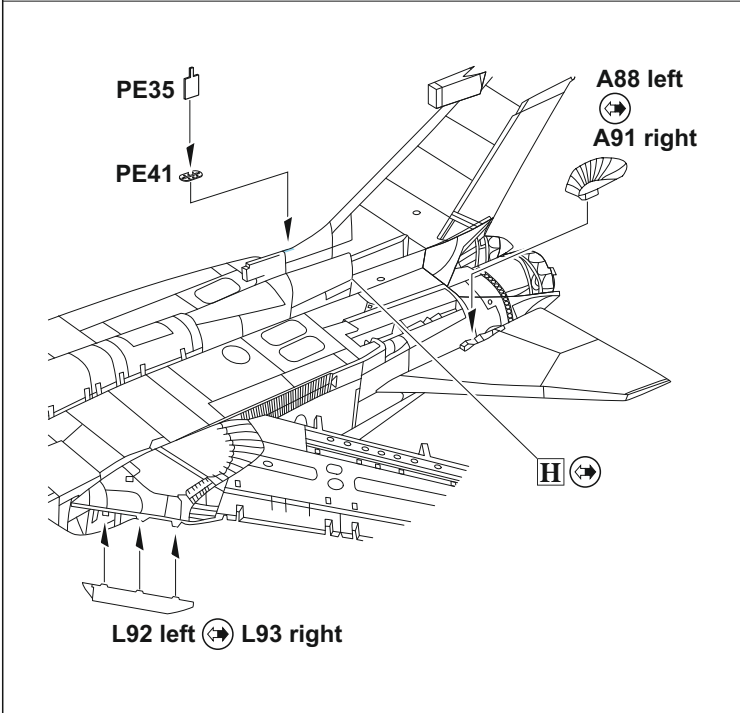
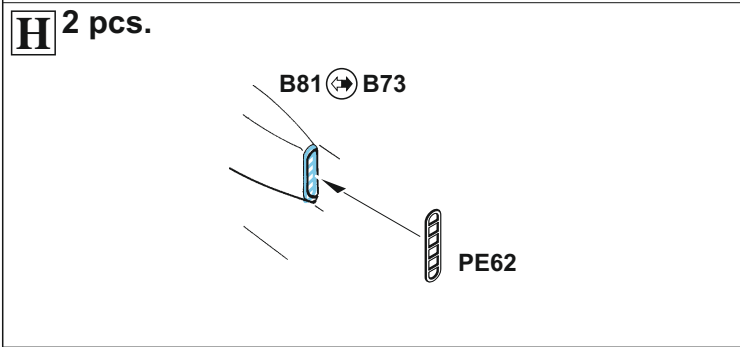
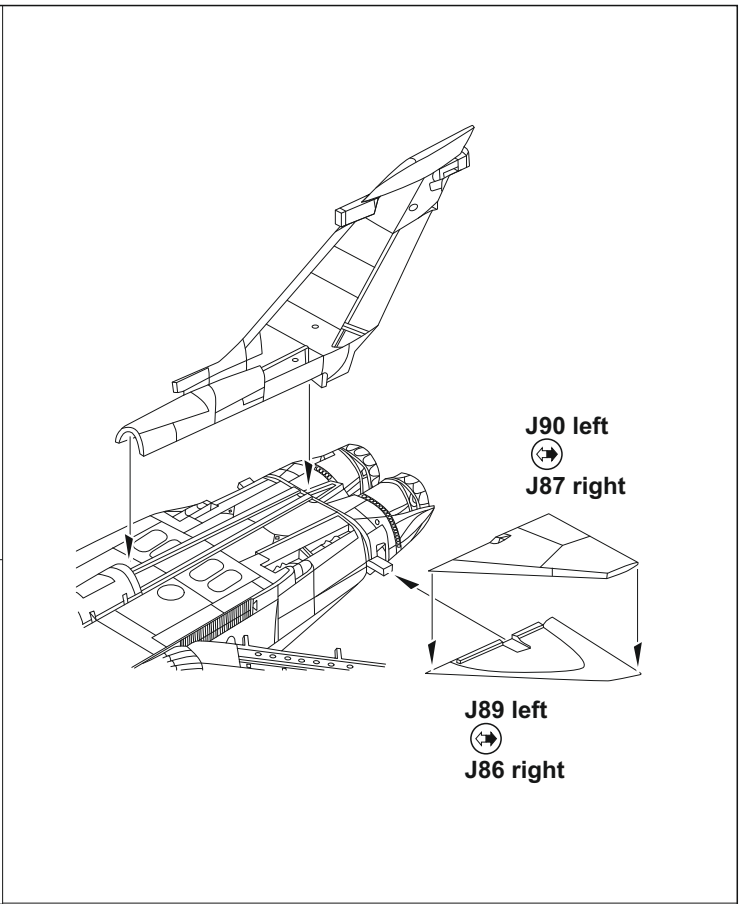
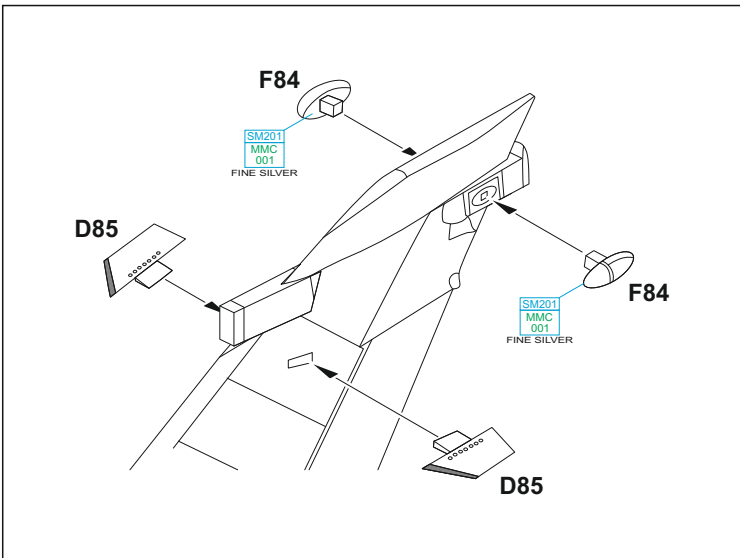


**E**

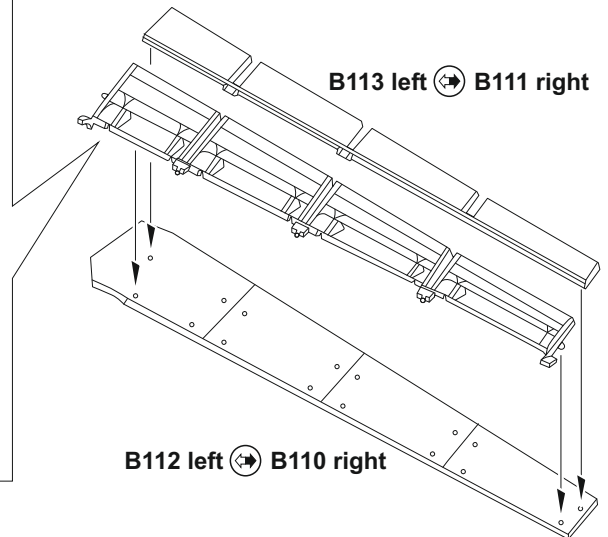
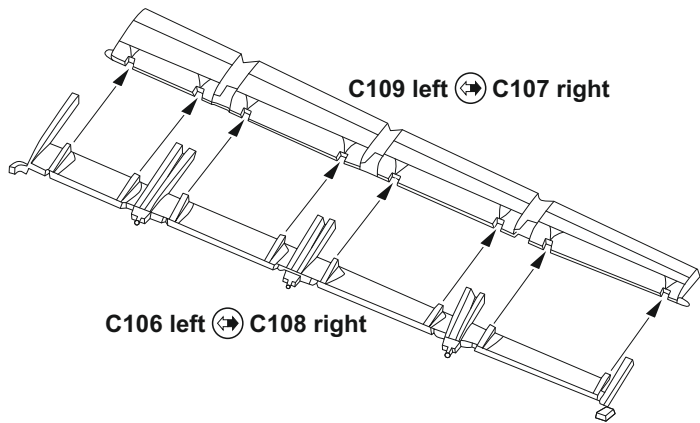
**G**

**F**

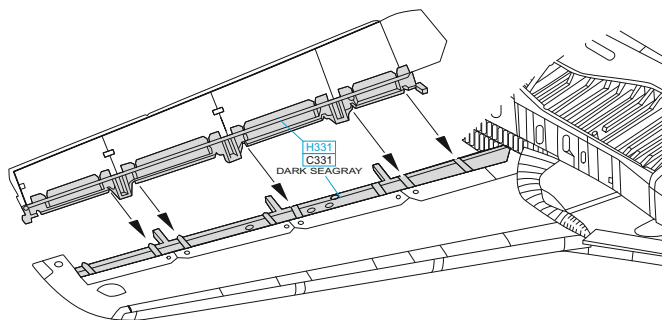






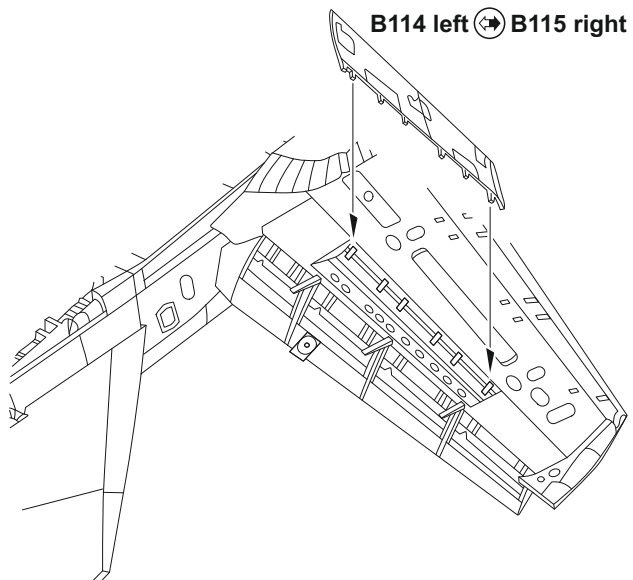
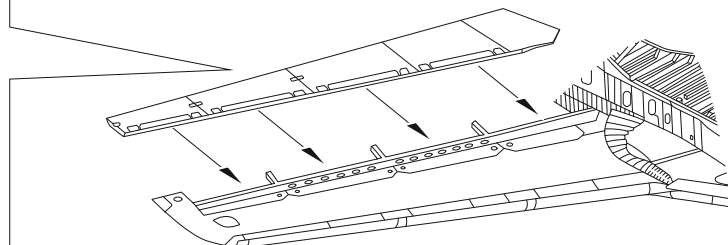
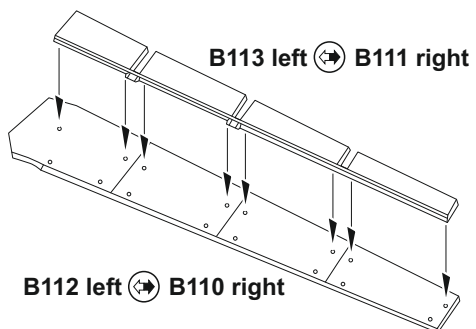


**Flaps down**

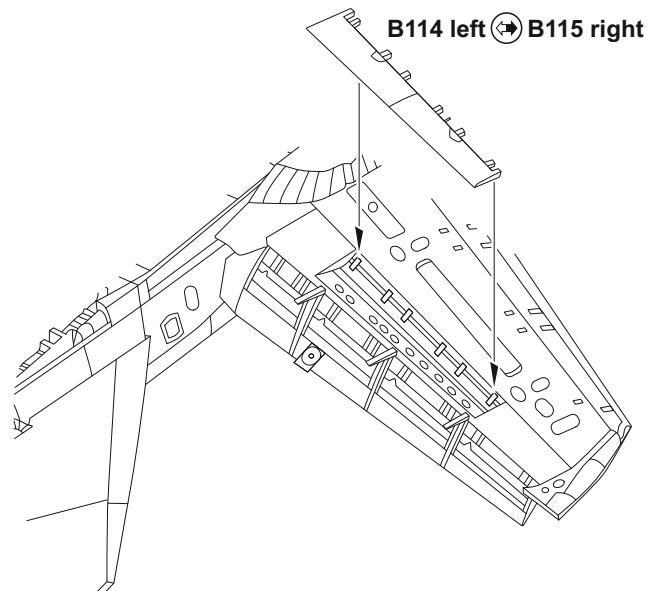


?

**Flaps up**



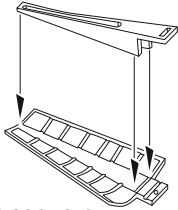
?



**J**

B119 right

B116 left



A120 right

A118 left



D117

**J**

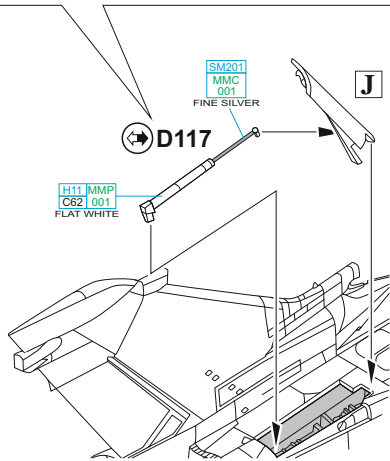
H338 MMP  
C338 116  
LIGHT GRAY

SM201  
MMC  
001  
FINE SILVER

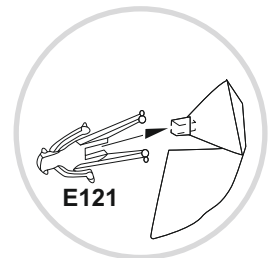
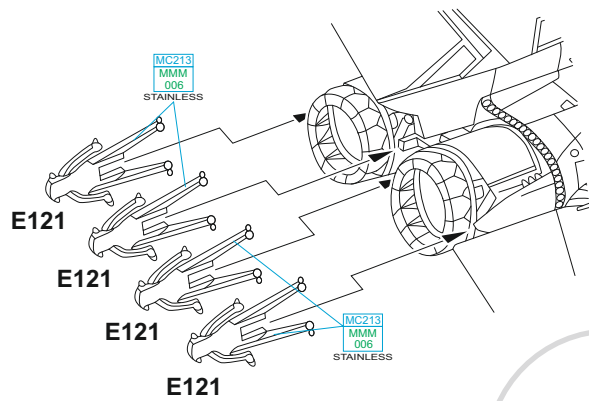
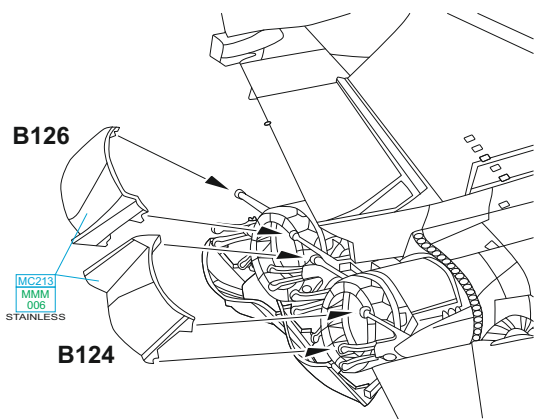
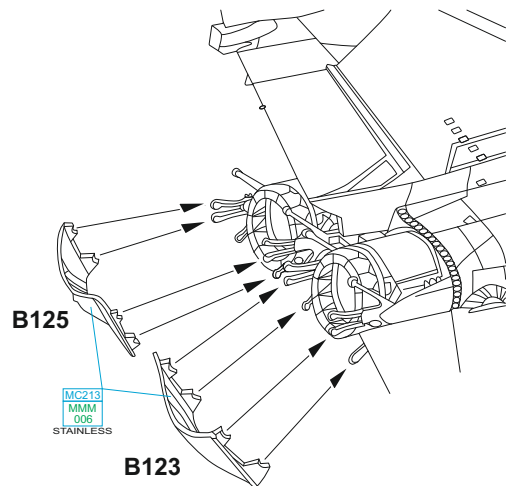
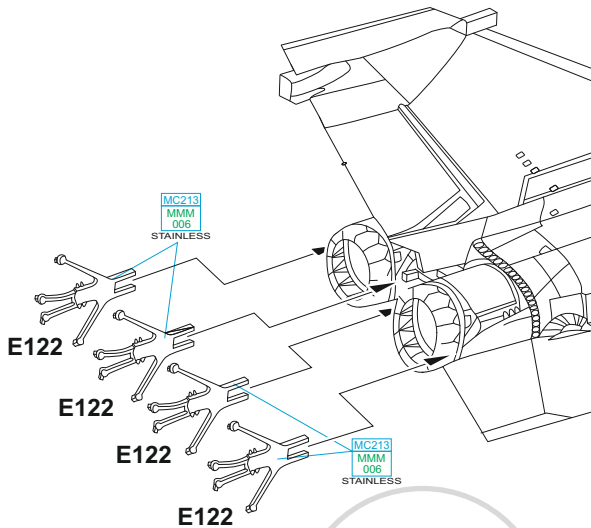
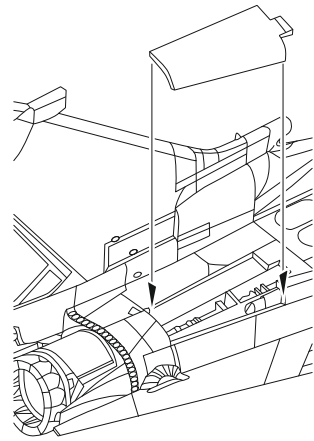
D117

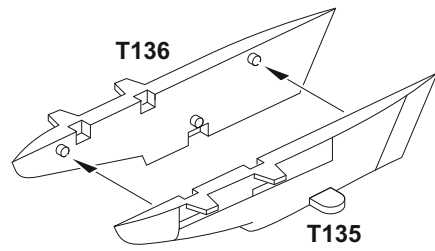
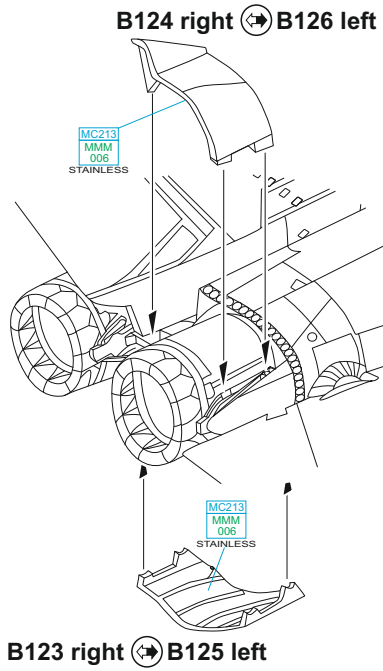
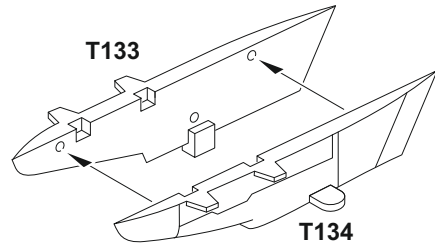
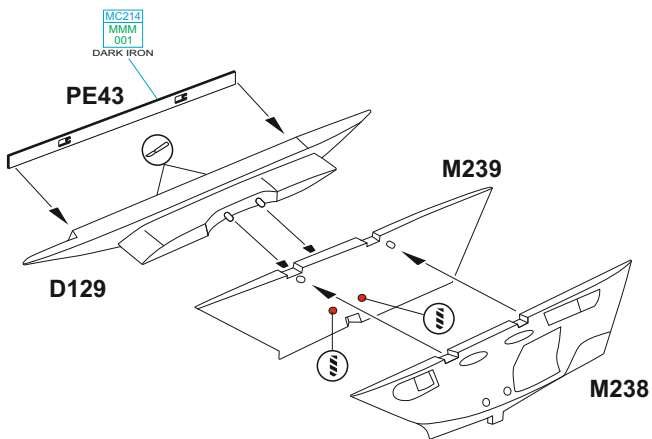
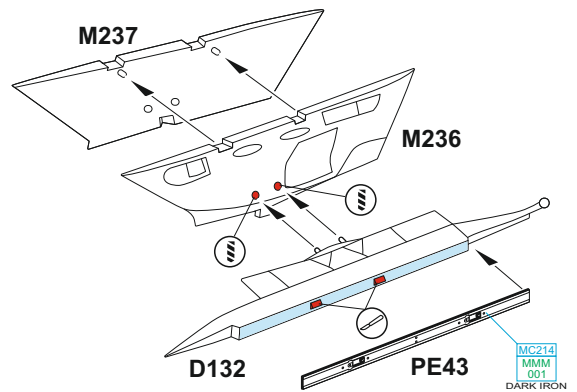
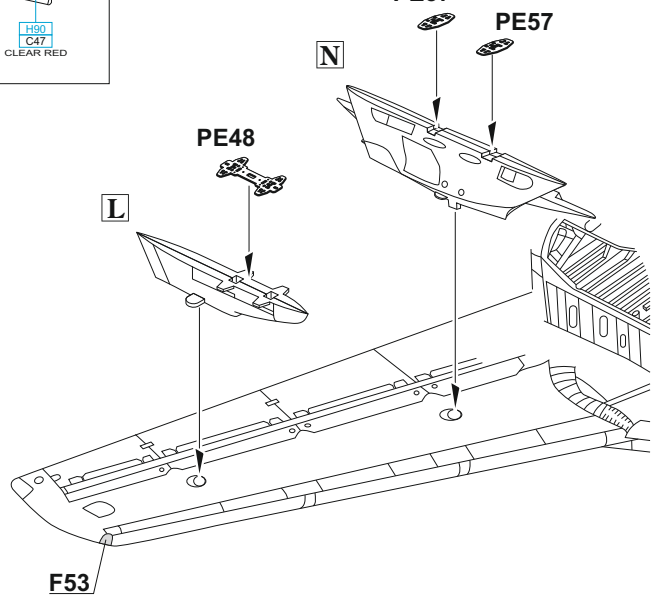
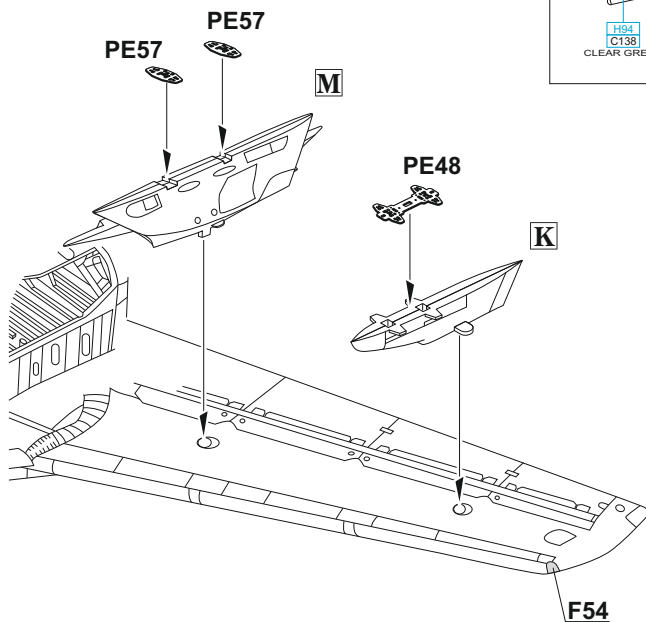
H111 MMP  
C621 001  
FLAT WHITE

**J**

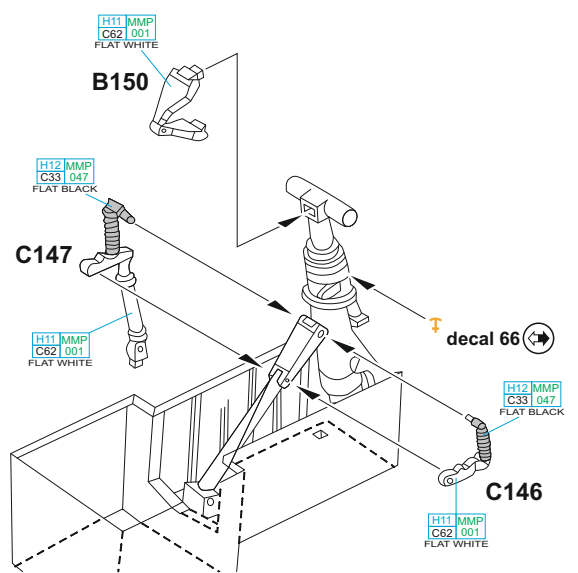
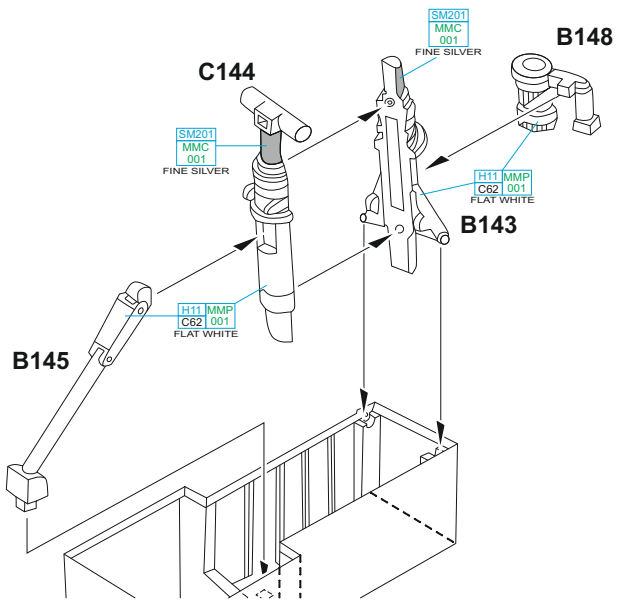


A120 right ↔ A118 left

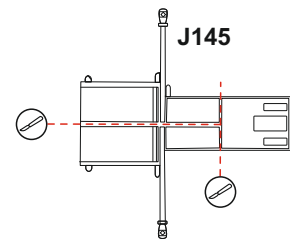
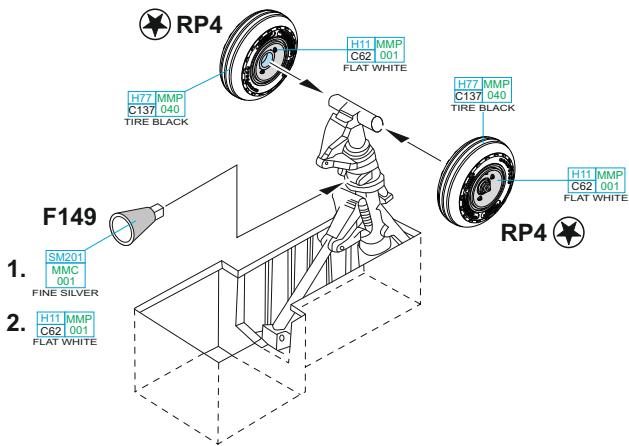


**K****L****M****N****F54****F53**

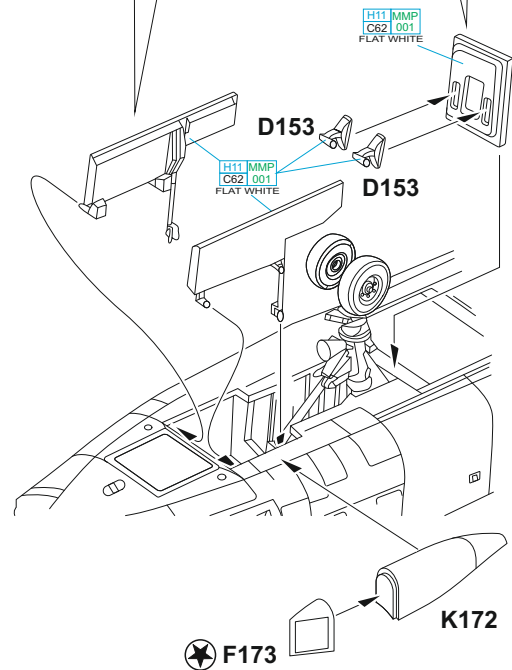
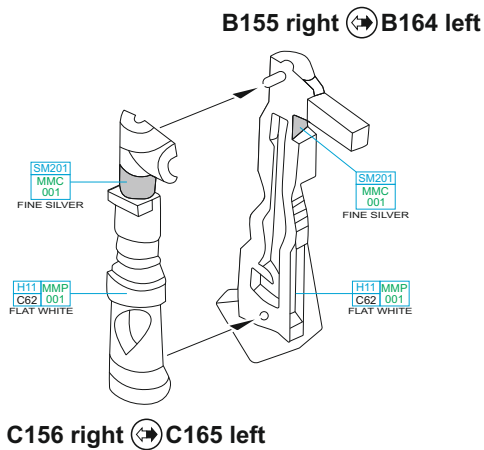




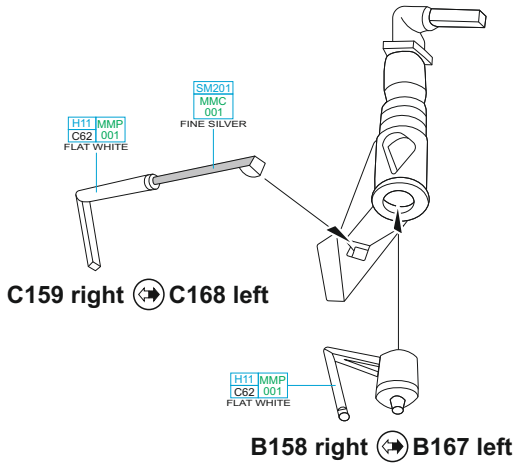
**eduard**  
**BRASSIN**



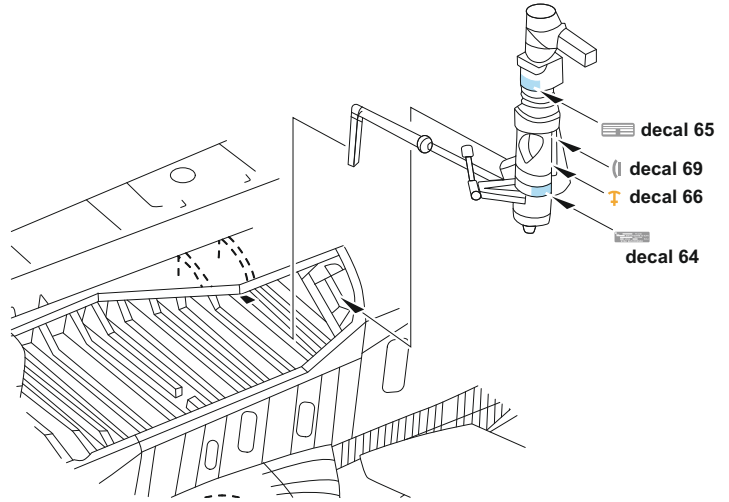
**M** **N**



M N

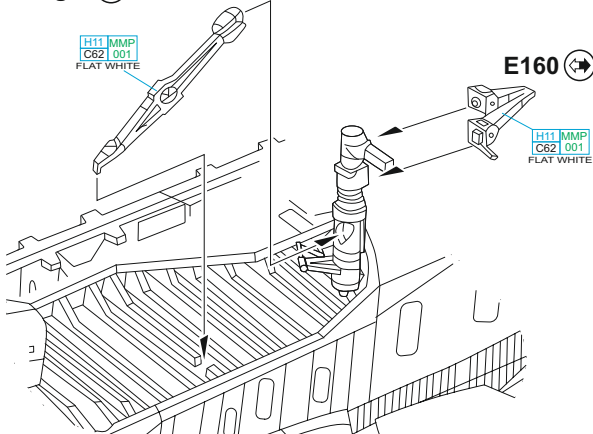


M N



M N

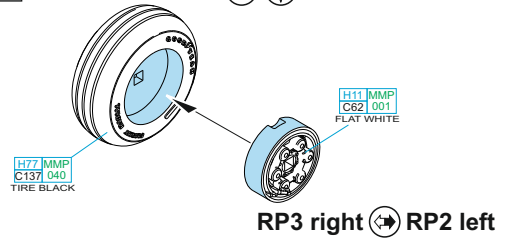
B157 right ↔ B166 left



M N

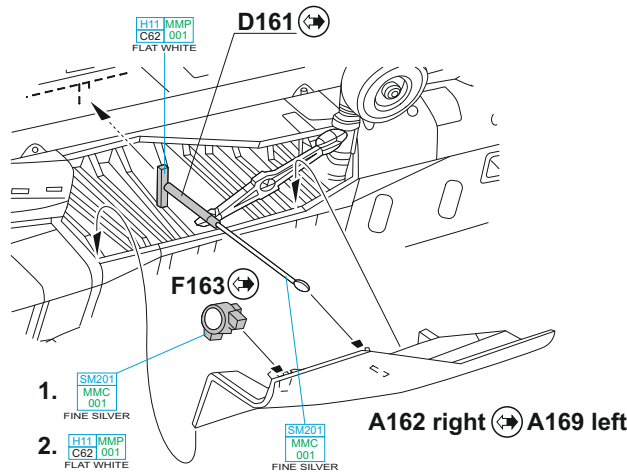
eduard BRASSIN

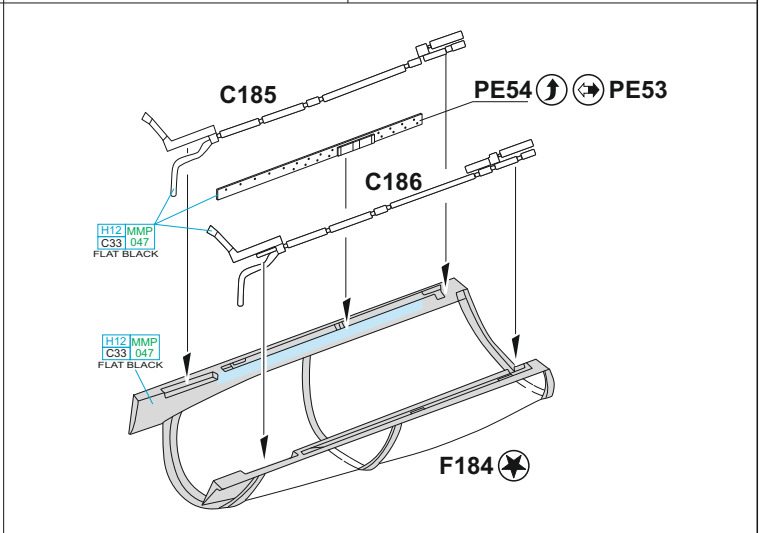
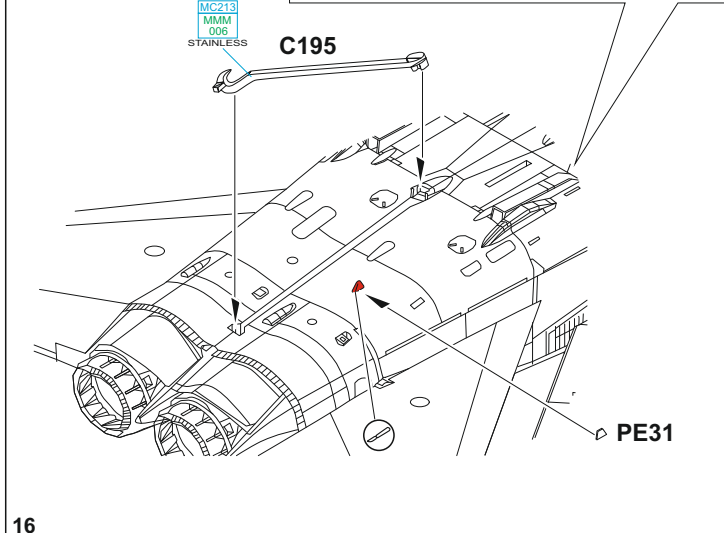
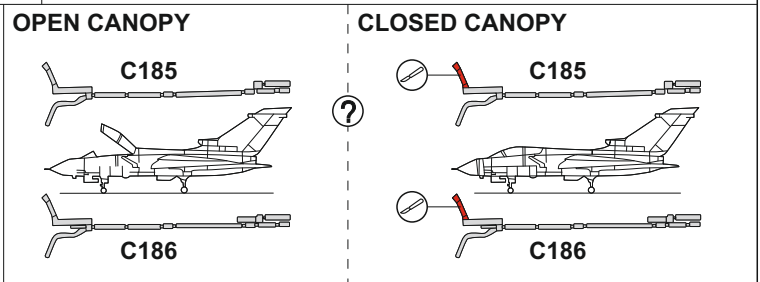
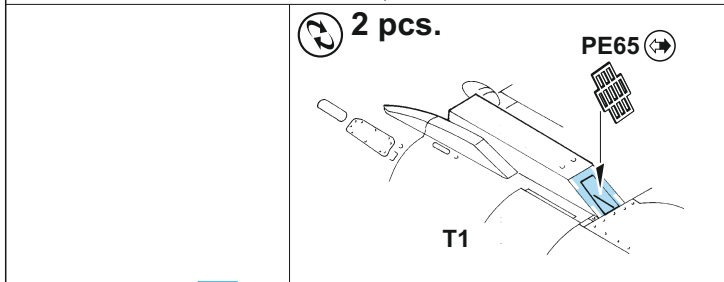
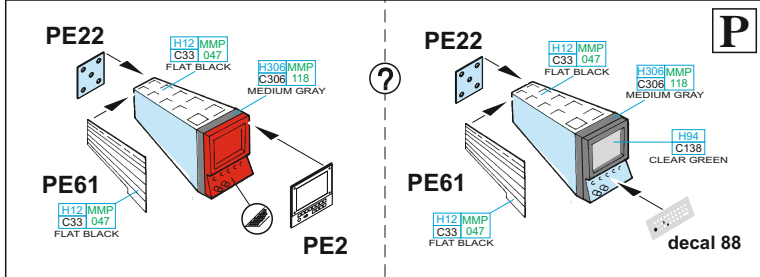
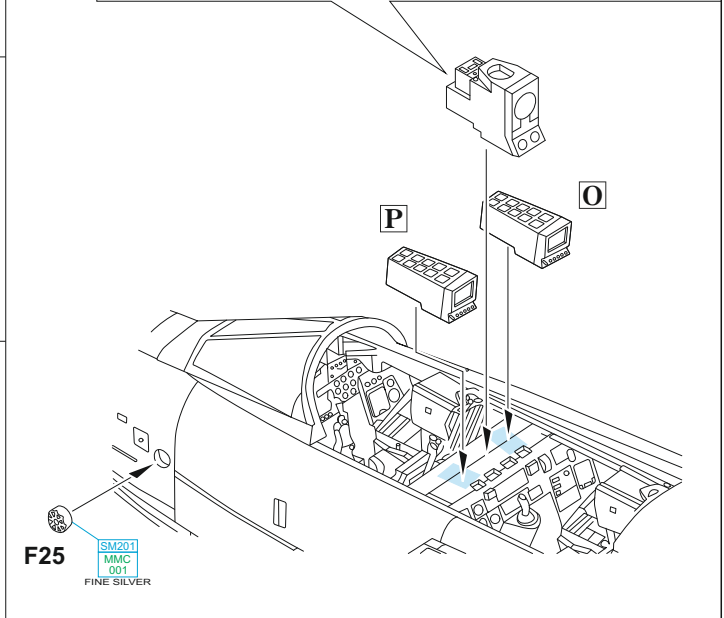
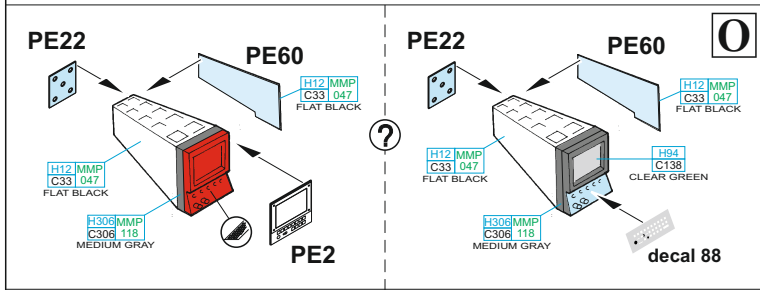
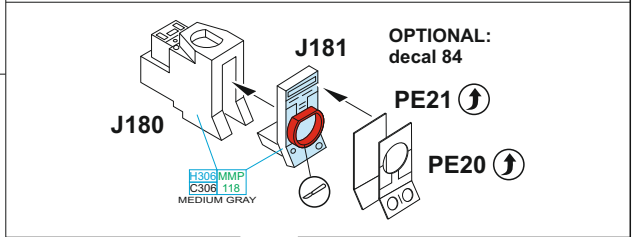
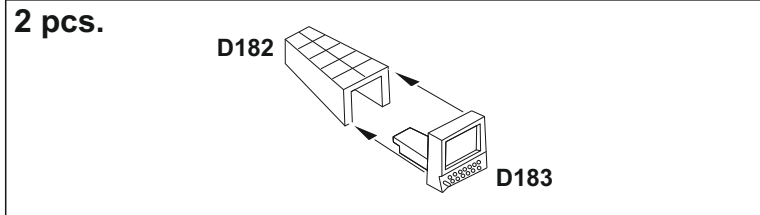
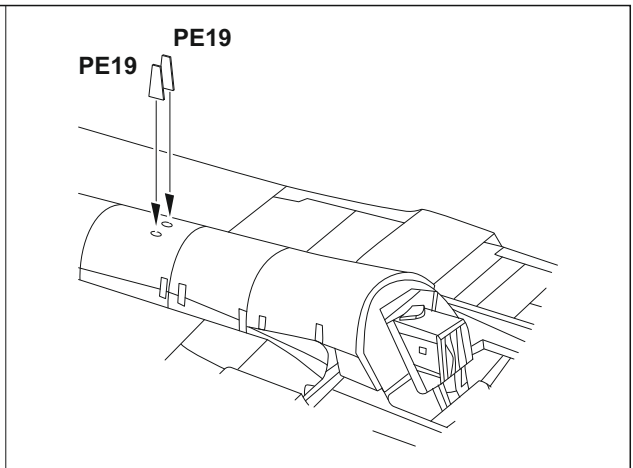
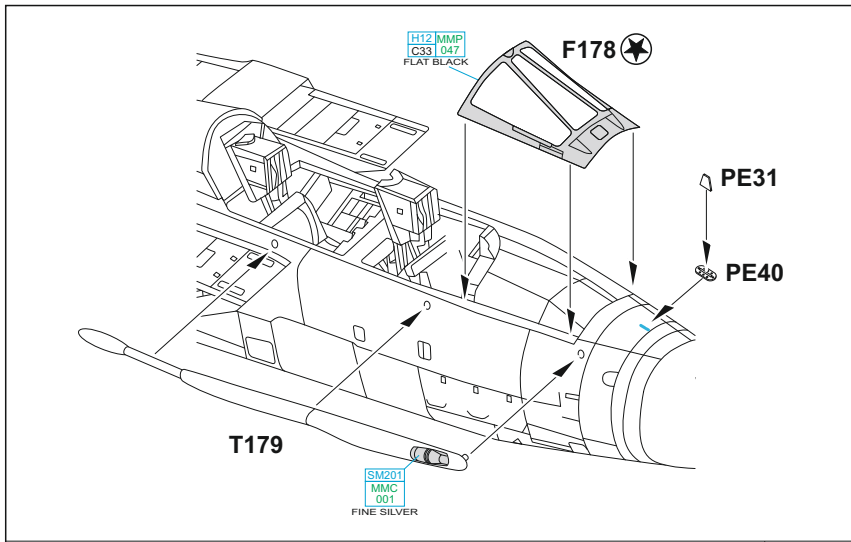
RP1 ↔



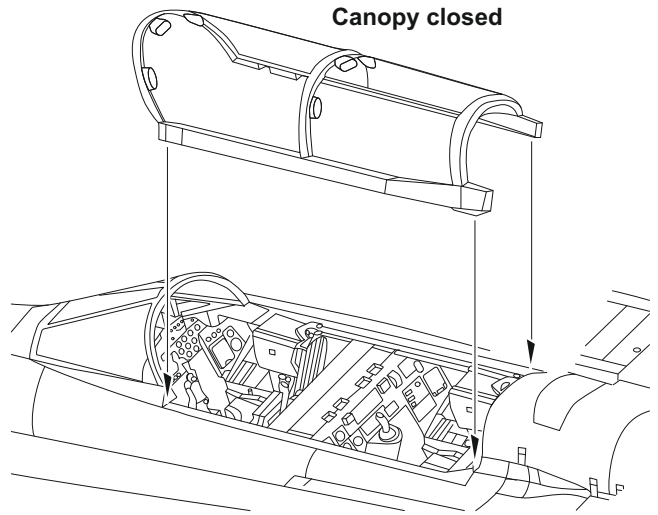
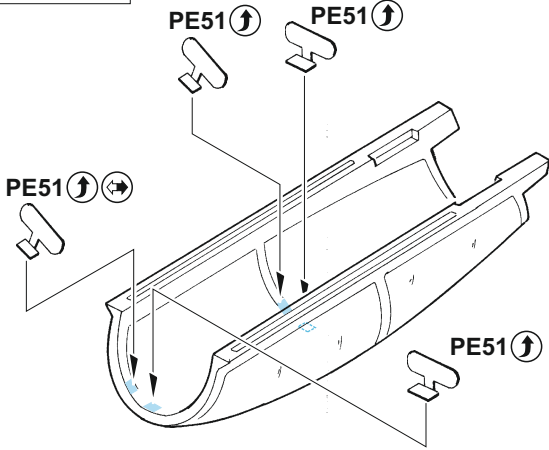
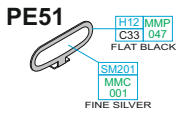
M N

M N

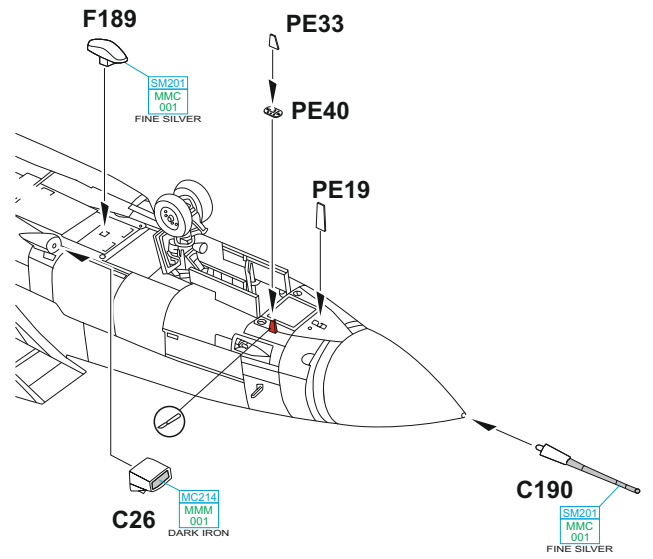
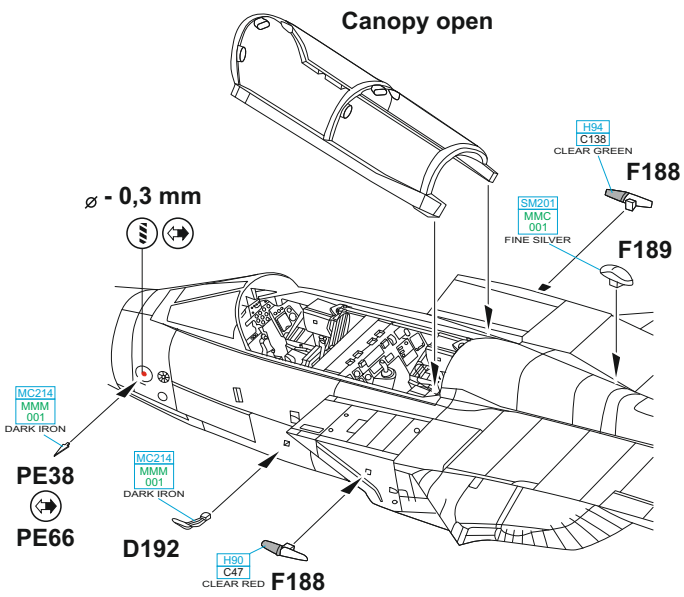




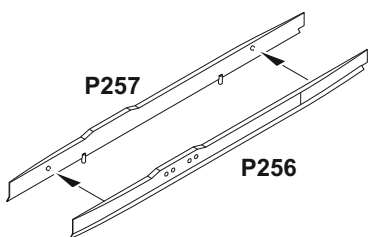




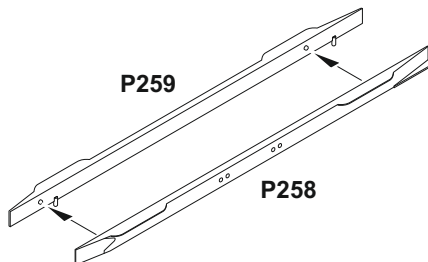
?



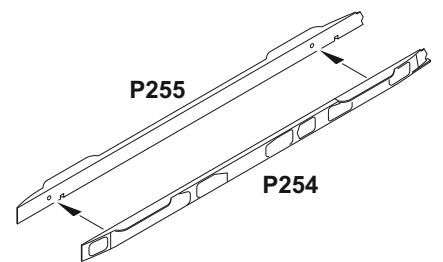
**Q**

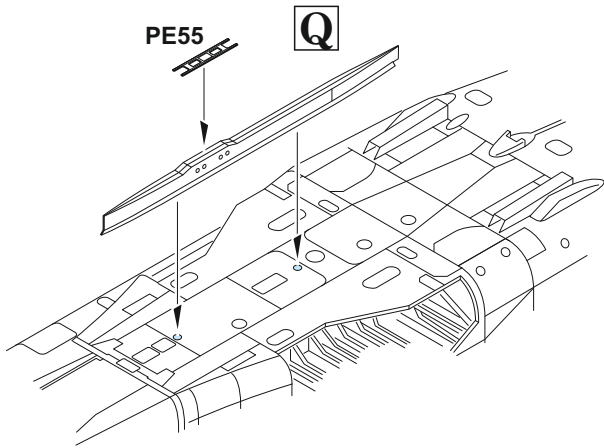


**R**

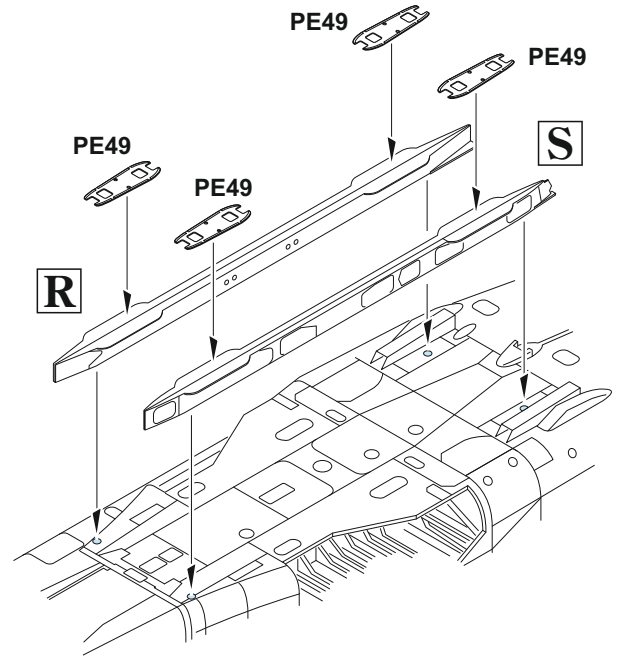


**S**

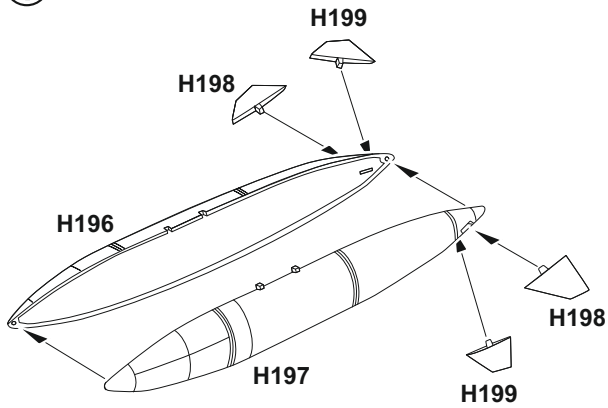




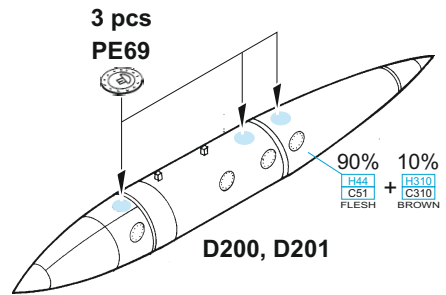
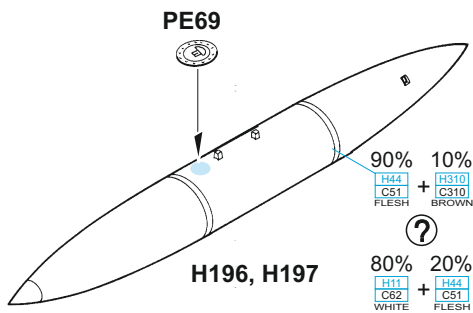
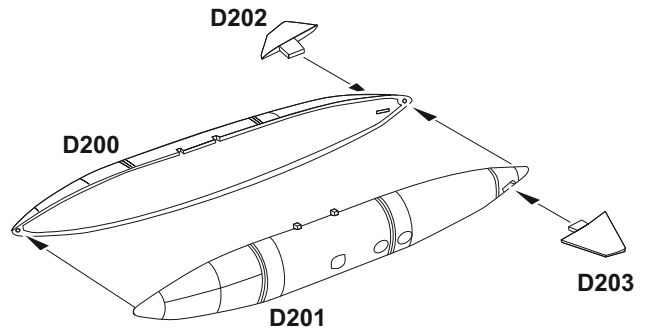
?



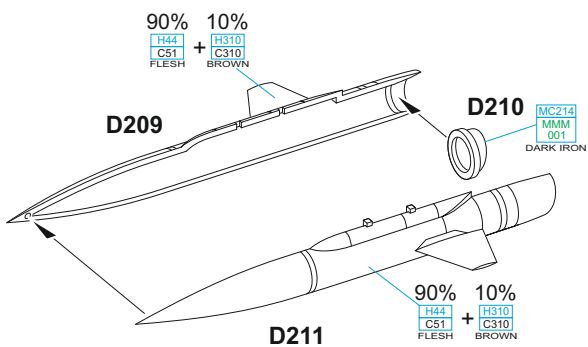
**T** ? 2 pcs.



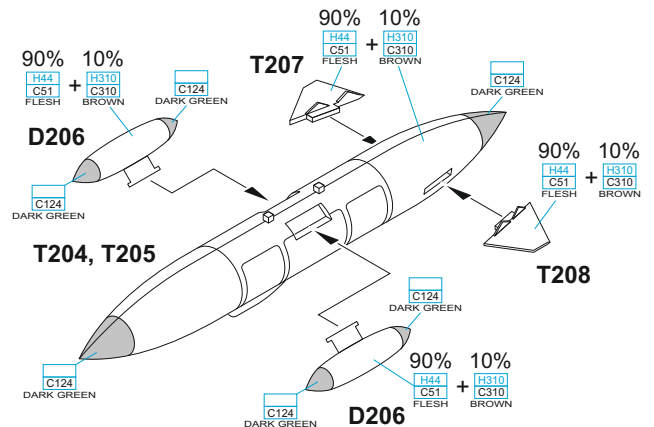
**U** ? 2 pcs.



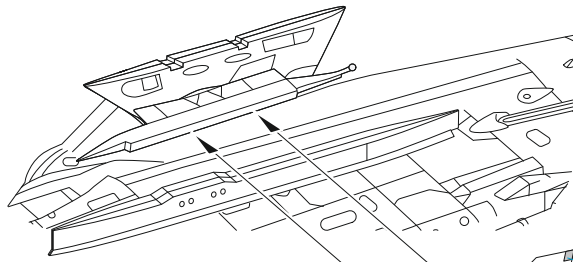
**V**



**W**



M↔N



MC218  
MMM  
003  
ALUMINIUM

MC213  
MMM  
005  
STAINLESS

H12 MMP  
C33 047  
FLAT BLACK

D212

H38 MMP  
C338 119  
LIGHT GRAY

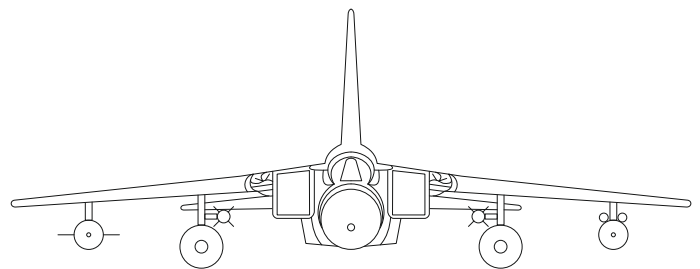
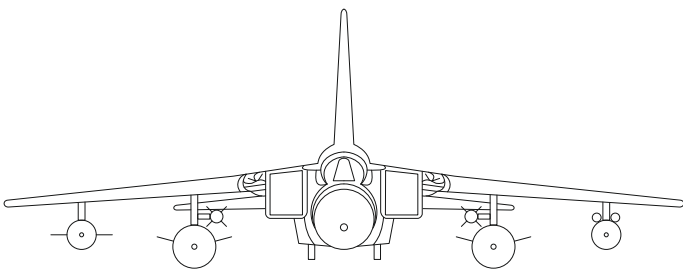
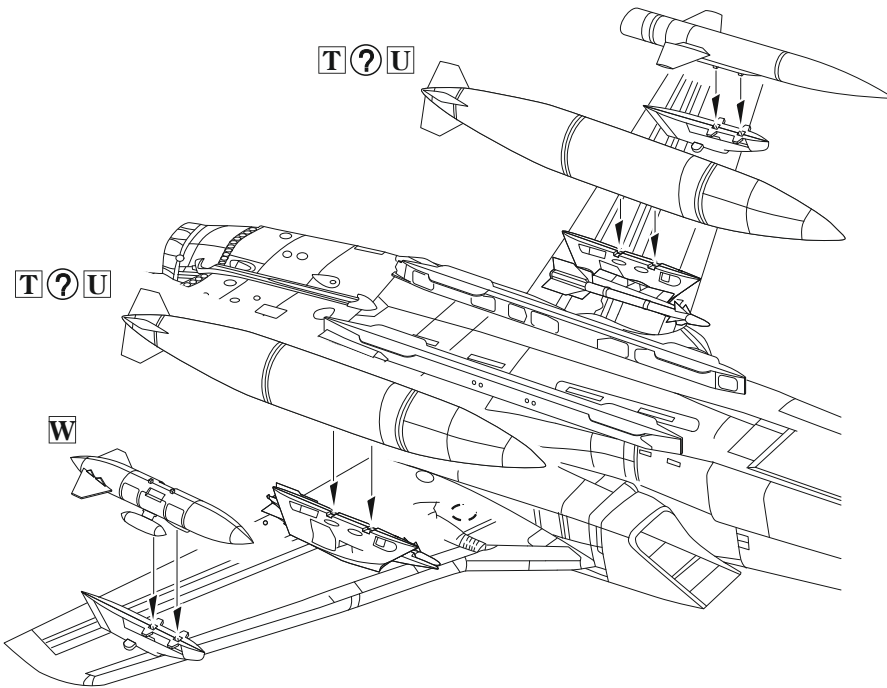
MC218  
MMM  
003  
ALUMINIUM

V

T?U

T?U

W



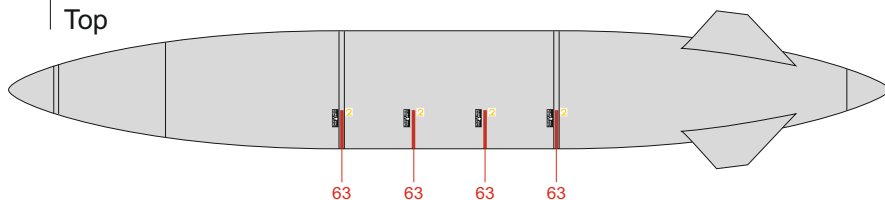
# Desert Babe

# STENCILING POSITIONS

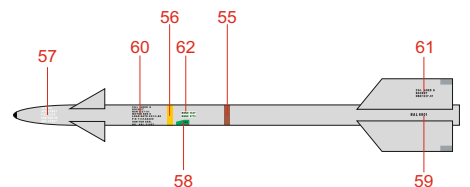
2250 ltr tank 2x

Sidewinder 4x

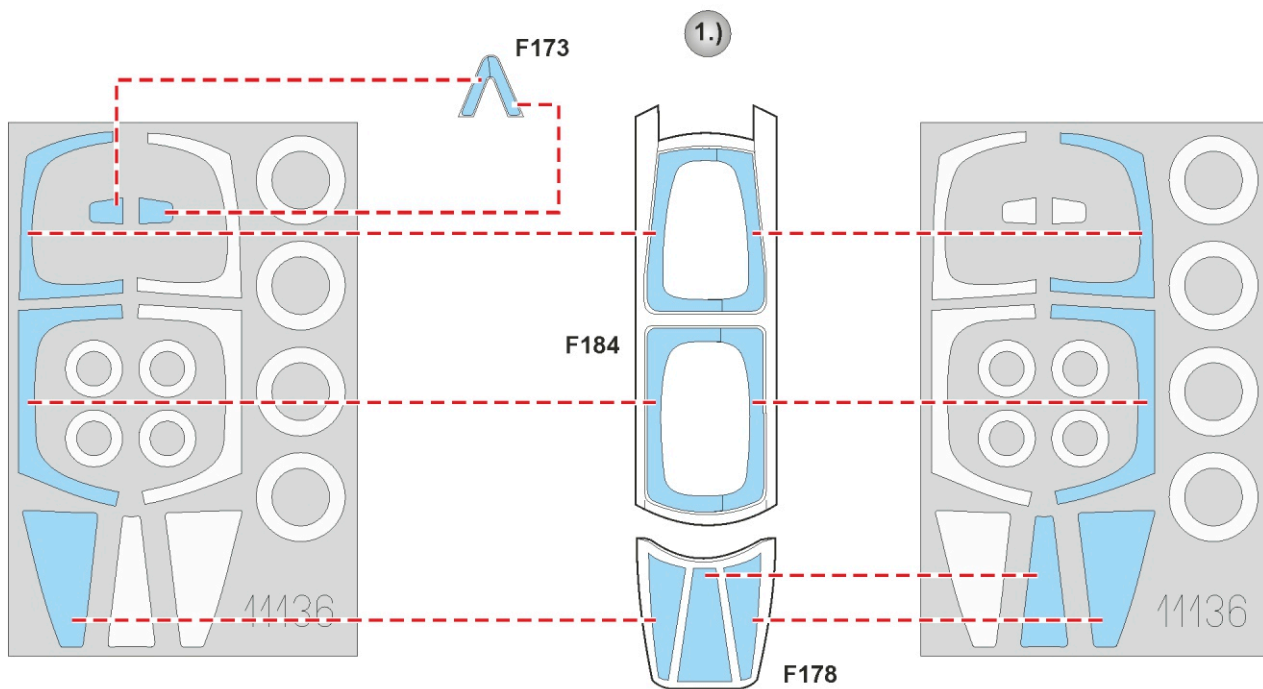
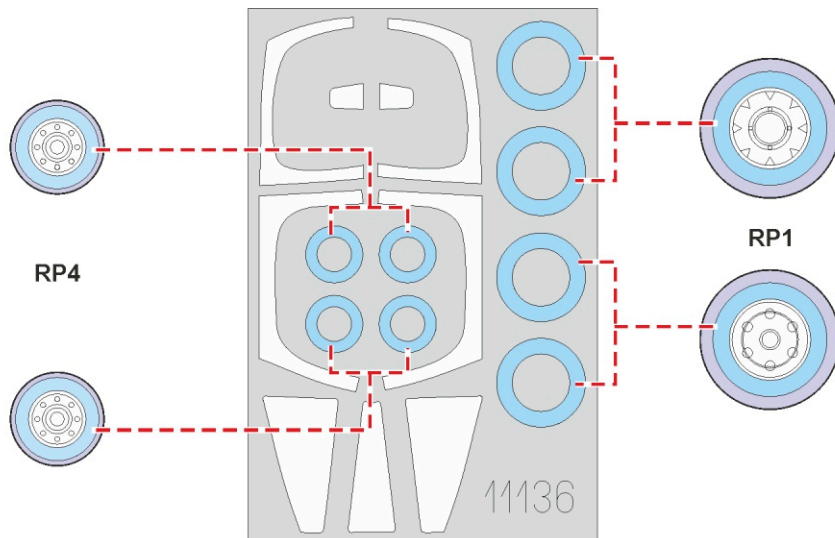
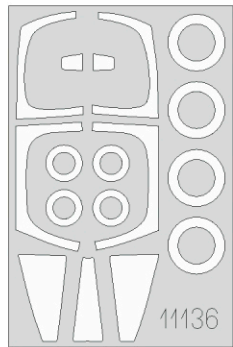
↑ Top



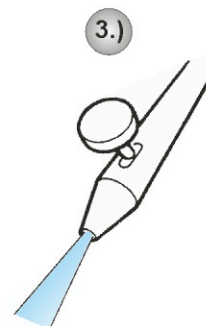
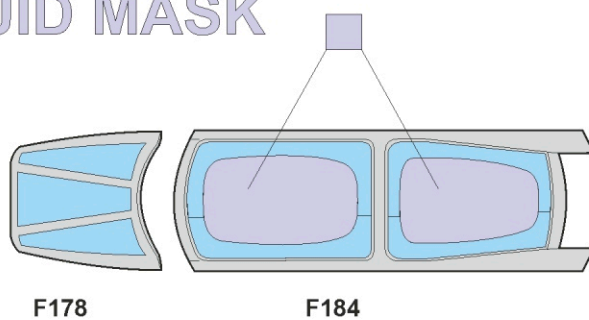
63 63 63 63



57 60 56 62 55 58 61 59



2.) LIQUID MASK



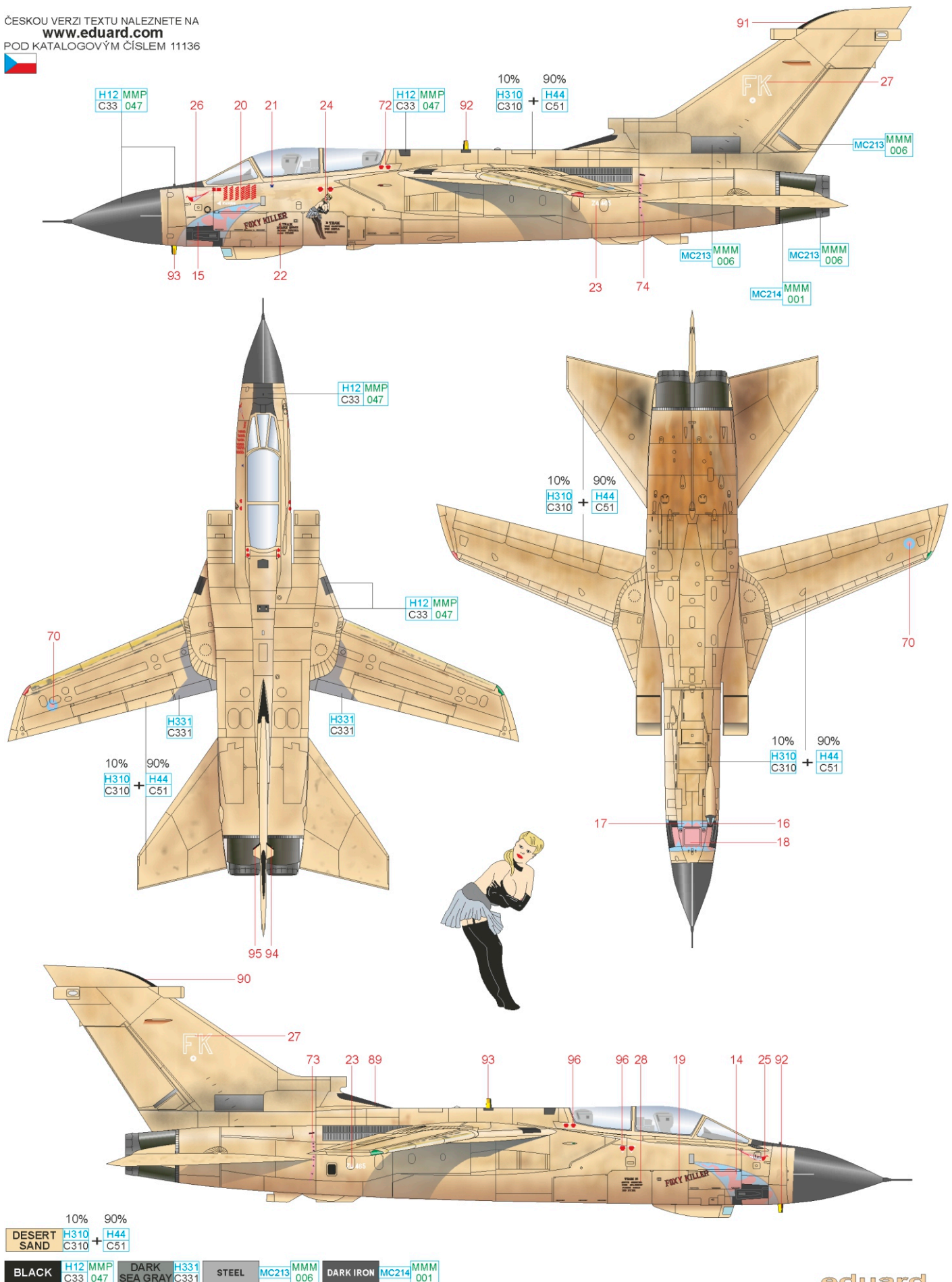


# A ZA465, Foxy Killer, No. 16 Squadron, Tabuk AB, Saudi Arabia, 1991

Aircraft from No. 16 Squadron, based at RAF Laarbruch, a British airbase in Ruhrlund-Vestfalia territory, deployed in late September 1990 to Muharrag airbase, Bahrain. Shortly after, ZA465 moved with others of the GR.1 fleet to the Tabuk airbase and in the course of Operation Granby ZA465/FK completed the highest number of missions achieved by any of the Tornado GR.1s during the operation, including a symbol for destroying a MiG-29. This aircraft carried a pale blue and pink sharkmouth.

ČESKOU VERZI TEXTU NALEZNETE NA  
[www.eduard.com](http://www.eduard.com)

POD KATALOGOVÝM ČÍSLEM 11136



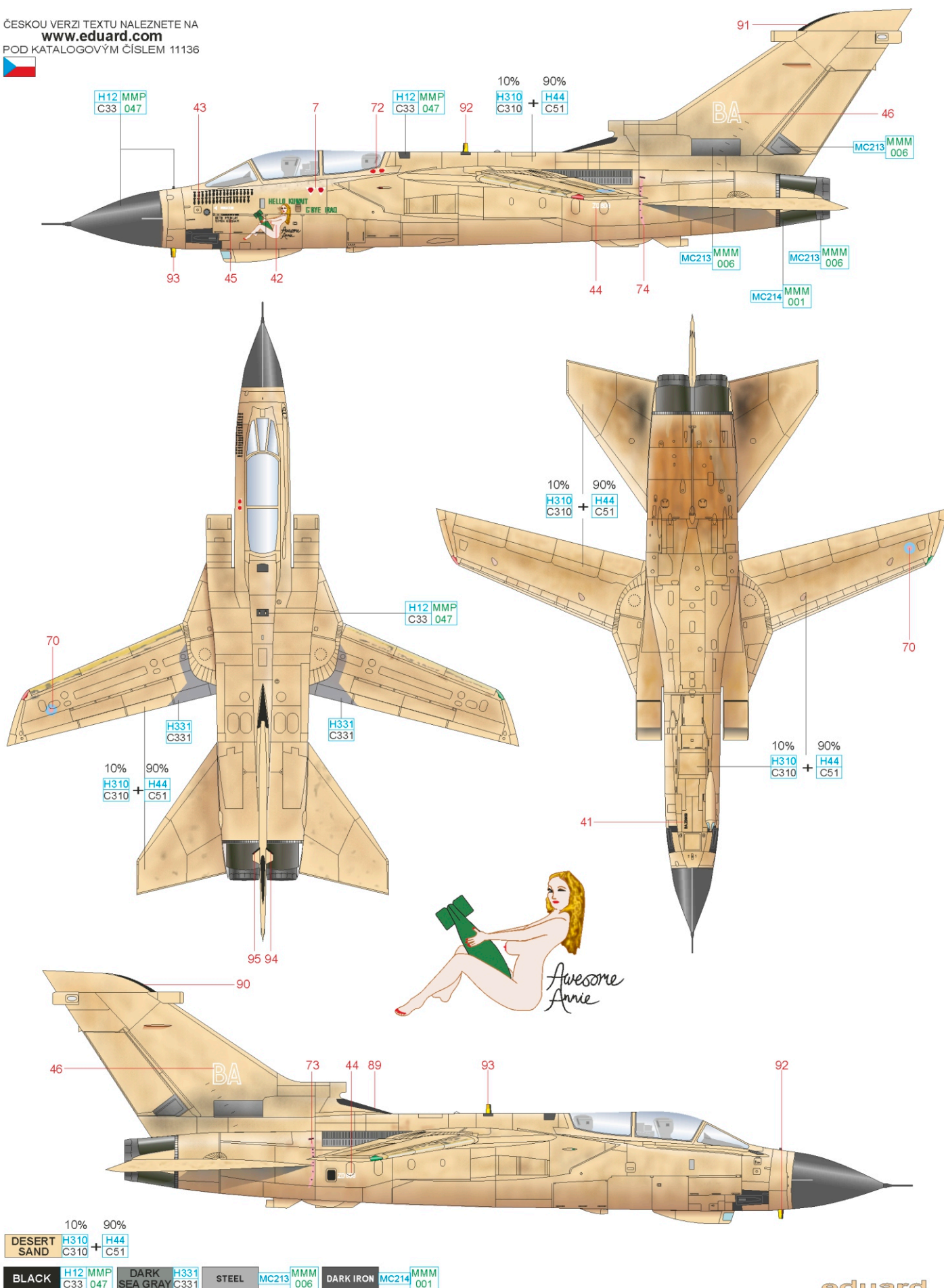
10% 90%  
DESERT SAND H310 C310 + H44 C51

BLACK H12 MMP C33 047 DARK SEA GRAY H331 C331 STEEL MC213 MMM 006 DARK IRON MC214 MMM 001

# B ZD809, Awesome Annie, No. 617 Squadron, Muharraq AB, Bahrain, 1991

Part of the forces operating out of the Muharraq airbase in Bahrain was also No. 15 Squadron detachment, supported by No. 9, 27 and 617 Squadrons. Several aircraft flying sorties out of this base had the inscription 'Hello Kuwait G' Bye Iraq' painted under the canopy. ZD809/BA was complemented with pin-up girl 'Awesome Annie' holding a bomb. By the end of the conflict, 33 mission markings were painted on the left side of the nose as well.

ČESKOU VERZI TEXTU NALEZNETE NA  
[www.eduard.com](http://www.eduard.com)  
 POD KATALOGOVÝM ČÍSLEM 11136



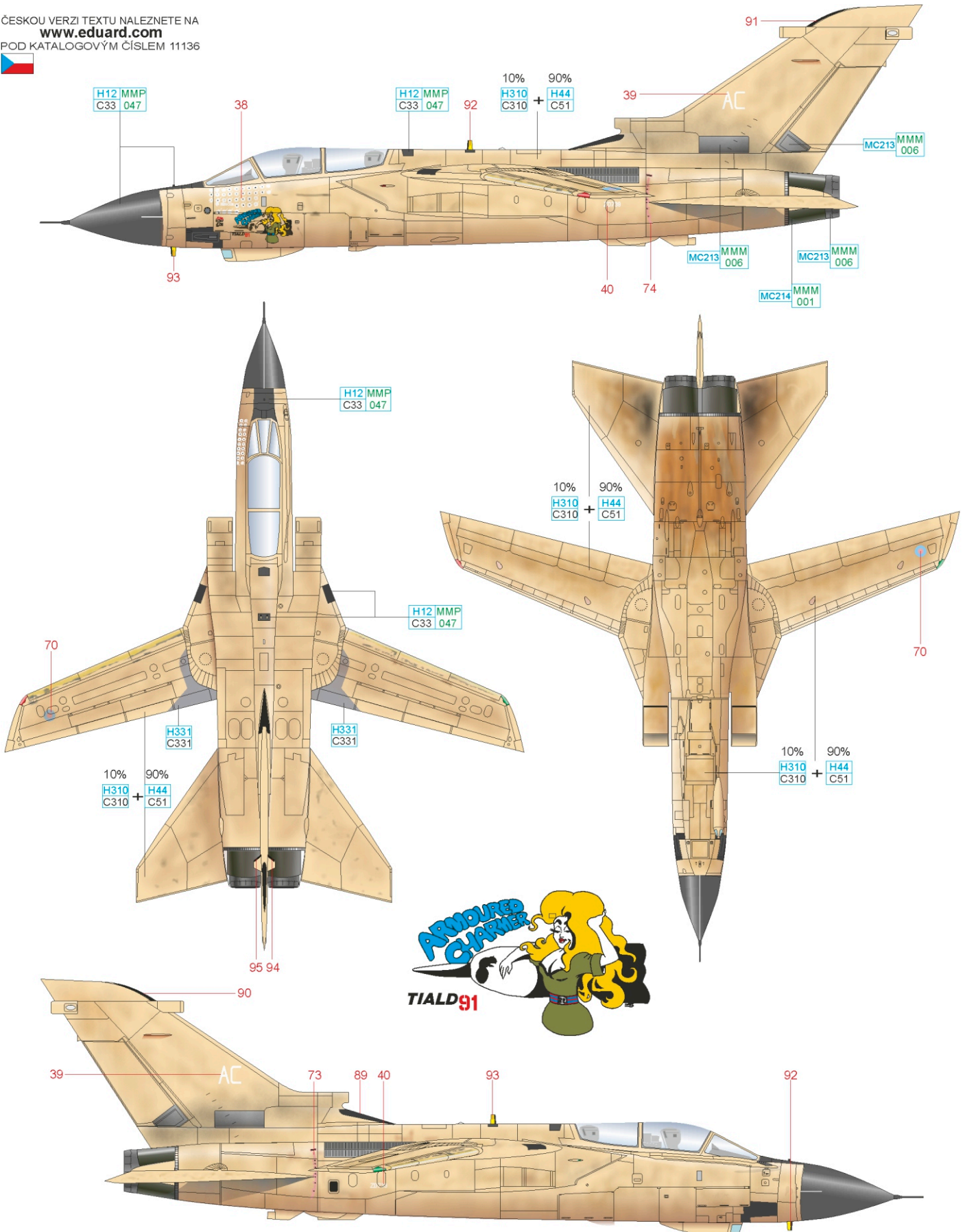


# C ZD739, Armoured Charmer, No. 9 Squadron, Tabuk AB, Saudi Arabia, 1991

ZD739/AC was one of the aircraft modified to carry the Thermal Imaging Airborne Laser Designator pod (TIALD). This device marked, or 'spiked' the targets selected to guide laser guided bombs carried by other Tornado's. There were 36 TIALD mission markings under the windshield as well as a pretty girl called 'Armoured Charmer' leaning against the bomb nose art.

ČESKOU VERZI TEXTU NALEZNETE NA  
[www.eduard.com](http://www.eduard.com)

POD KATALOGOVÝM ČÍSLEM 11136

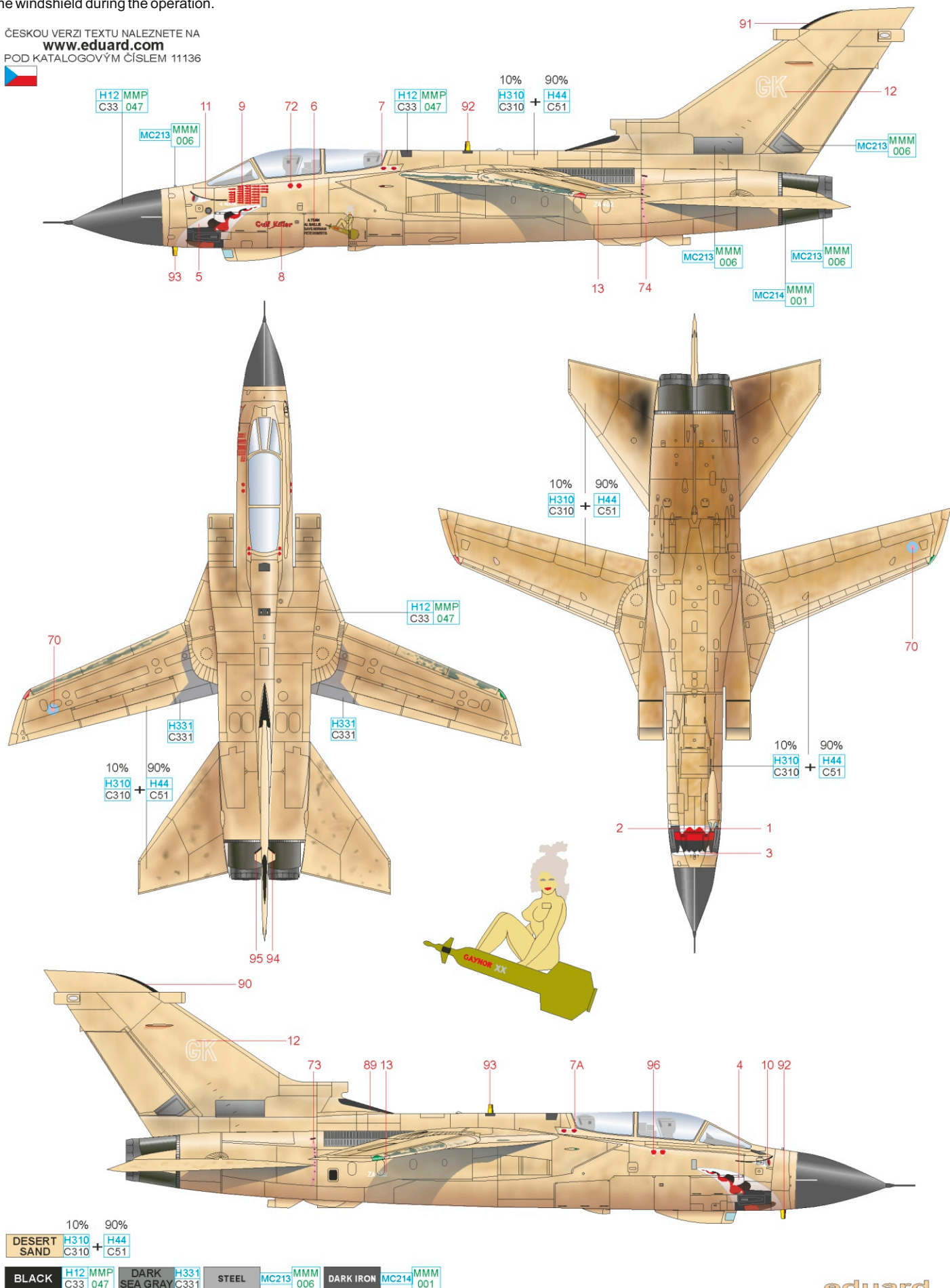


10%	90%						
DESERT SAND	H310 C310	+	H44 C51	BLACK	H12 MMP C33 047	DARK SEA GRAY	H331 C331
					STEEL	MC213	MMM 006
						DARK IRON	MC214
							MMM 001

# D ZA452, Gulf Killer, No. 20 Squadron, Tabuk AB, Saudi Arabia, 1991

One of the sixty Tornado GR.1s deployed by the Royal Air Force during Operation Granby was ZA452/GK, from No. 20 Squadron, operating out of Tabuk airbase, Saudi Arabia. Before the departure to the Middle East, these Tornados were over sprayed in the Alkali temporary removable paint called Desert Pink, a mixed paint to match Desert Sand FS30279. ZA452 was named 'Gulf Killer' which originated from the No. 20 Squadron tail code letters GK, painted in white outline font. A sharkmouth and a lady sitting on a Paveway II bomb were painted on the aircraft nose. The 31 mission markings were continuously added under the windshield during the operation.

ČESKOU VERZI TEXTU NALEZNETE NA  
[www.eduard.com](http://www.eduard.com)  
 POD KATALOGOVÝM ČÍSLEM 11136

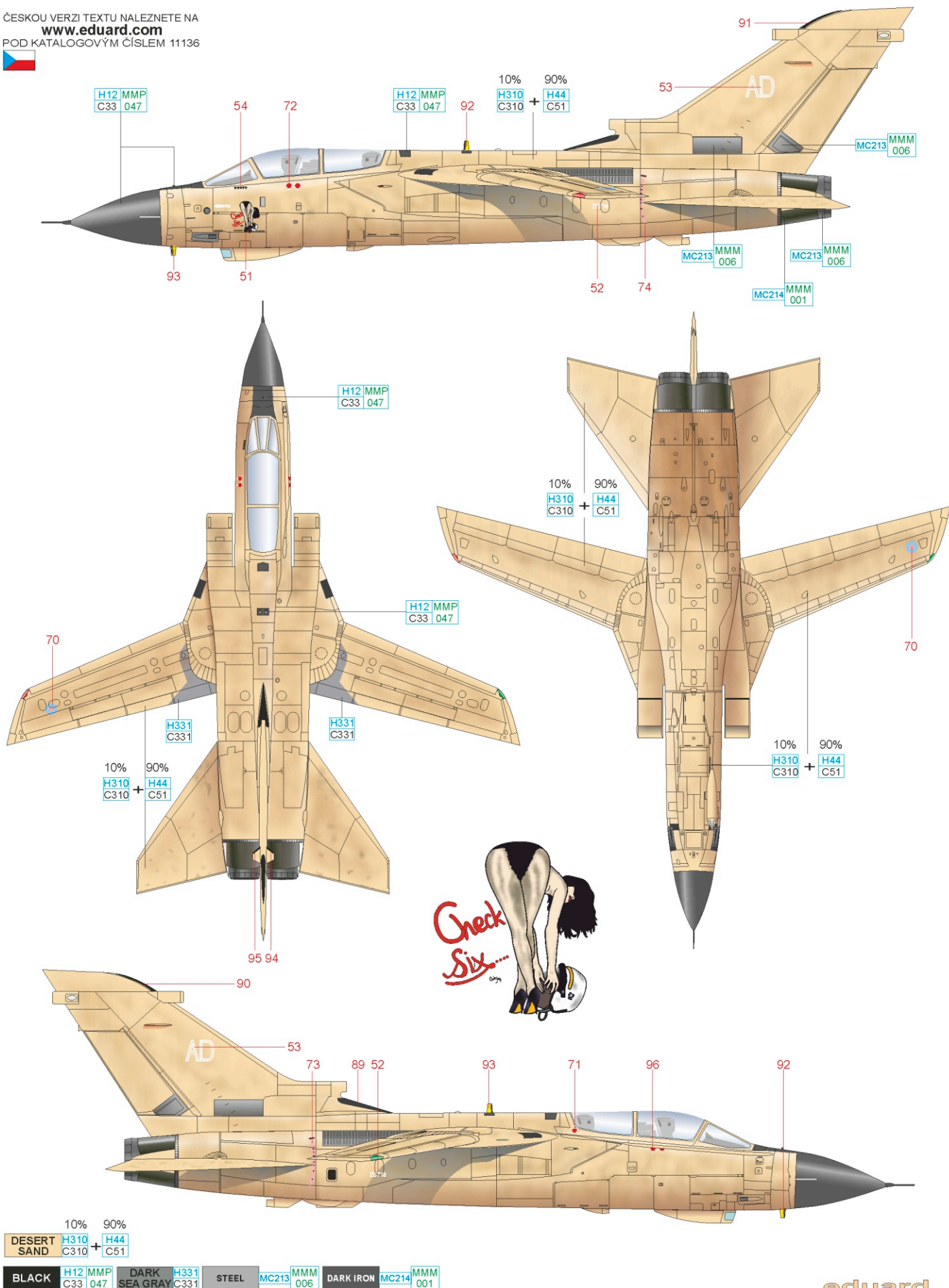




# E ZD719, Check Six, No. 9 Squadron, Dhahran AB, Saudi Arabia, 1991

ZD719/AD of No. 9 Squadron initially deployed to Tabuk airbase, but transferred to the No. 31 Squadron led detachment, which operated from Dhahran airbase in Saudi Arabia. The ground crew added a pin-up girl nose art to the well-known pilot's rule to watch your back (Check Six!) painted under the windshield. ZD719 had 5 mission markings applied.

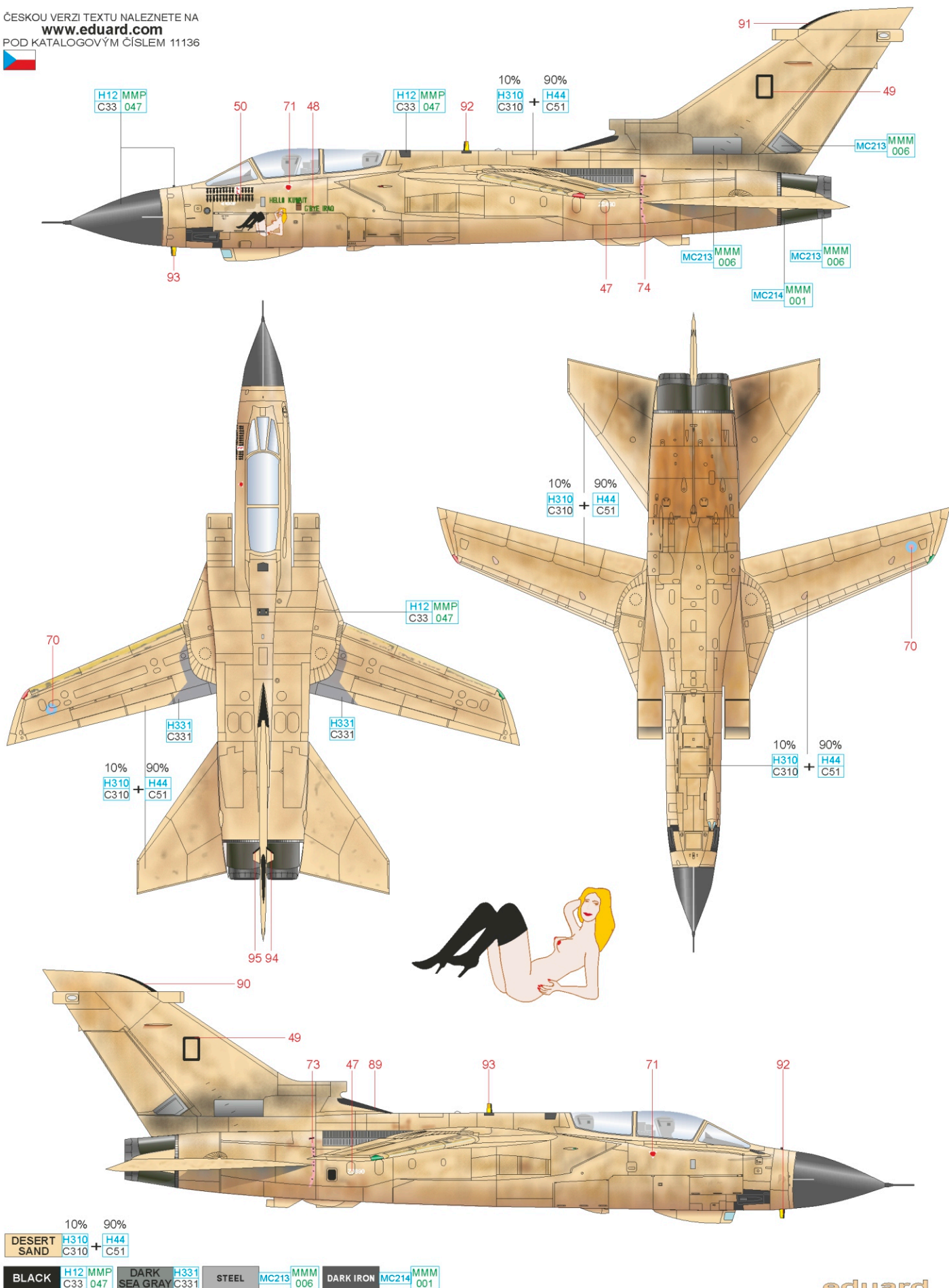
ČESKOU VERZI TEXTU NALEZNETE NA  
[www.eduard.com](http://www.eduard.com)  
 POD KATALOGOVÝM ČÍSLEM 11136



# F ZD890, No. 9 Squadron, Muharraq AB, Bahrain, 1991

During the Operation Granby, Muharraq airbase in Bahrain was a home to ZD890/O, on which the ground crew painted 28 missions markings and two 'L' plates completed during the Gulf War. Same as the aircraft ZD809, this airplane carried the inscription 'Hello Kuwait G' Bye Iraq' under the canopy as well as a reclining nude pin-up girl painting.

ČESKOU VERZI TEXTU NALEZNETE NA  
[www.eduard.com](http://www.eduard.com)  
 POD KATALOGOVÝM ČÍSLEM 11136

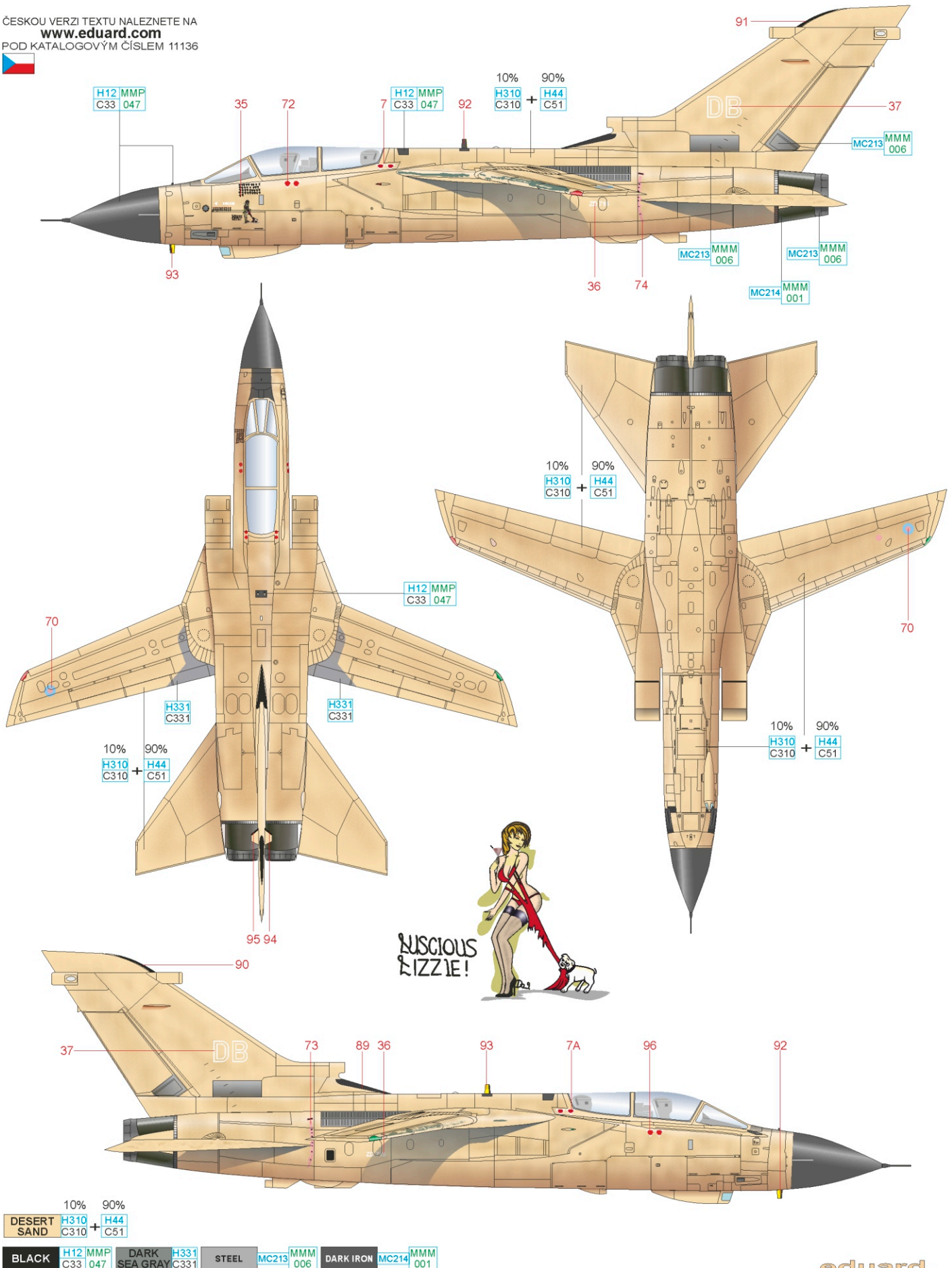




# G ZD715, Luscious Lizzie!, No. 31 Squadron, Dhahran AB, Saudi Arabia, 1991

The first twelve Tornado GR.1's, selected for Operation Granby, were deployed to RAF Brüggen airbase, located in Germany near the Holland border, to Dhahran airbase on the Saudi Arabian coast of the Persian Gulf. Led by Wg Cdr Witts, No. 31 Squadron was supplemented by elements from No. 9, No. 14 and No. 17 Squadrons and was active during the entire period of hostilities. The unit commander, Wg Cdr Jeremy Witts, was awarded DSO for his actions. ZD715/DB sported on the right fuselage side one of the most attractive pin-up girl nose art. The completed missions were marked on the same spot in the form of the bombs or palm trees.

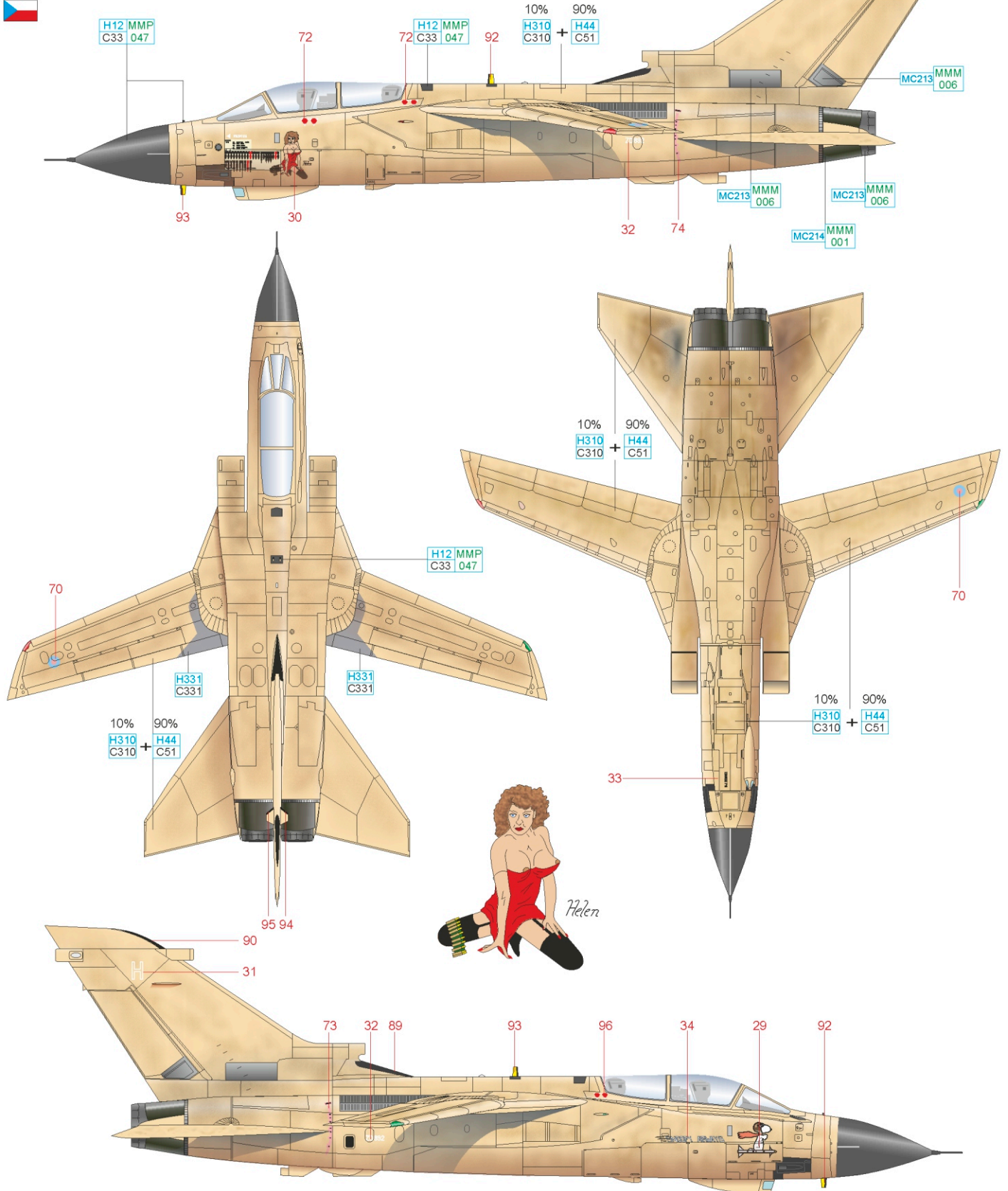
ČESKOU VERZI TEXTU NALEZNETE NA  
[www.eduard.com](http://www.eduard.com)  
 POD KATALOGOVÝM ČÍSLEM 11136



# H ZD892, Helen, No. 617 Squadron, Muharraq, Bahrain, 1991

The majority of Tornado GR.1's flown by the RAF during the Operation Granby were decorated by nose arts, most frequently in the form of sparsely-clad girls or women painted on the port side of the fuselage under the canopy. Several Tornado's at Muharraq carried artwork on the starboard fuselage side of Snoopy flying on a bomb and 'Snoopy Airways' title. ZD892/H was different in that the comics character saddles a Sidewinder missile. A pin-up girl called 'Helen' as well as a 31 mission score-board was on the port side of the fuselage.

ČESKOU VERZI TEXTU NALEZNETE NA  
**www.eduard.com**  
 POD KATALOGOVÝM ČÍSLEM 11136



10%	90%
DESERT SAND	H310 C310 + H44 C51
BLACK	H12 MMP C33 047
DARK SEA GRAY	H331 C331
STEEL	MC213 MMM 006
DARK IRON	MC214 MMM 001

SPECIAL THANKS TO ANDY ROBINSON AND JAKUB CIKHART AND HIS PAGE DSTORM.EU TO COOPERATION ON THIS PROJECT.

