

PN133 N Gauge SIGNAL BOX SET INSTRUCTIONS

READ THROUGH ALL THE INSTRUCTIONS BEFORE YOU START.

To construct this kit you will need the following:

1. A Modellers knife.
2. A pair of sharp pointed scissors.
3. A steel ruler.
4. Glue - UHU Clear Adhesive is our favourite.
5. A cutting surface - a sheet of card or a cutting mat.
6. Fine point tweezers to hold the smaller components.
7. Good eye sight - There are a number of tiny components in this kit, so a desk top magnifier will be a good help.
8. Water colour paints and a very fine brush, for painting the white edges and corners (optional).

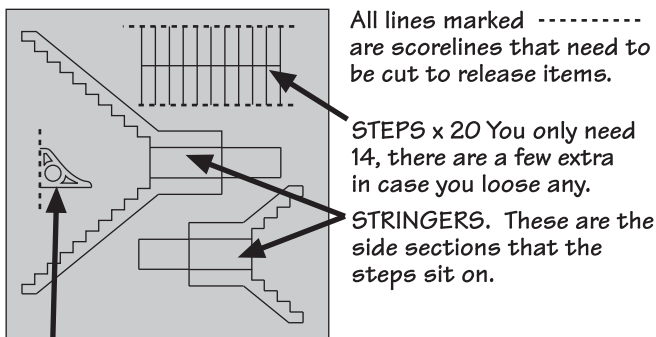
GETTING STARTED

1 EXTRACTING COMPONENTS FROM SHEETS.

To stop the components from falling off the sheets, they are held secure with scorelines. These are cuts that only go about 75% of the way through the card. To release them simply run the point of your knife along the scorelines and they will come seamlessly away. These scorelines are indicated with blue arrows: →

LASER CUT SHEETS.

There are two small sheets of components that have been laser cut. The diagrams below show the lines that you will need to cut to release the components from the sheets.

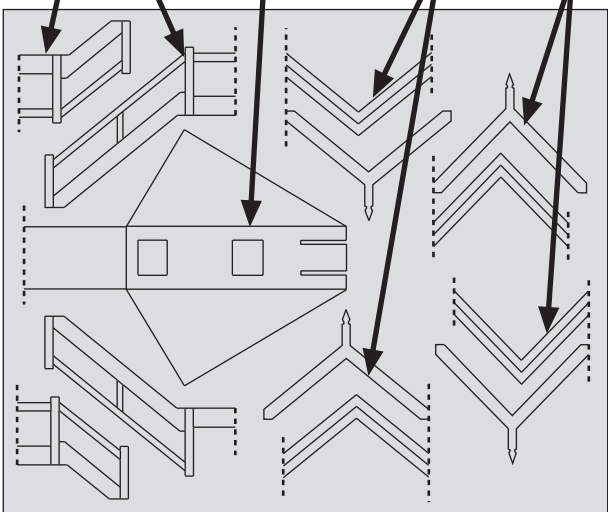


BRACKET for underneath the overhanging toilet building.

HANDRAILS for both large and small sets of stairs.

JIG for holding stringers in place whilst fitting steps.

BARGEBOARDS AND SPACERS For large signal box and small box.



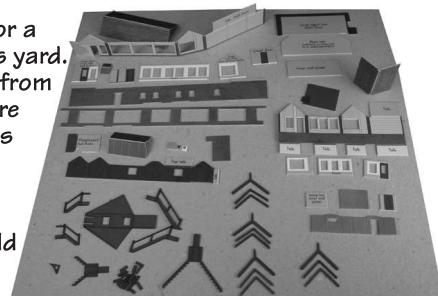
CHECK LIST

This kit pack should contain the following:

- 1 x SHEET 1 - All the printed components for the two signal boxes and lineside huts.
- 1 x GLAZING SHEET.
- 1 x GREEN LASER-CUT CARD Handrails & Bargeboards.
- 1 x GREY LASER-CUT CARD Stairs components.
- 1 x INSTRUCTION SHEET.
- 1 x Ridge Tile Sheet.

2 MAKE YOUR 'BUILDERS YARD'.

Use a piece of thick card or a tray to make your builders yard. This is an area kept away from your working surface, where you store ALL components extracted from the base sheets until needed.



Your WORKING area should have a clean flat surface. and should only contain the kit parts you are actually working on.

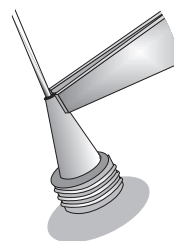
EVERYTHING ELSE SHOULD BE KEPT NEATLY ARRANGED IN THE BUILDERS YARD, UNTIL NEEDED.

PLEASE NOTE: Don't throw anything away. Keep all offcuts and waste card in a box until the kit is finished, just in case you can't find anything. The chances are that it will be there.

UHU GLUE TUBES

Although the 20ml. tubes of UHU have narrow nozzles, they are still a bit too big

To make the nozzle smaller, put a piece of wire from a medium size paper clip or a large pin inside.



Then with a pair of pliers nip one side of the nozzle tightly, so that it squeezes the soft metal around the pin.

Keep the pin in the nozzle when not in use to stop it from blocking up.

If using the glue frequently, it is not necessary to keep replacing the pin in the nozzle. Simply place the tube upright in an empty cup when not in use.

Fig. 1a. START WITH THE WINDOWS.

Start by cutting out all the clear plastic window sections. Cut along the thin white lines that mark them out.

Place them on a dark surface so you can see them.

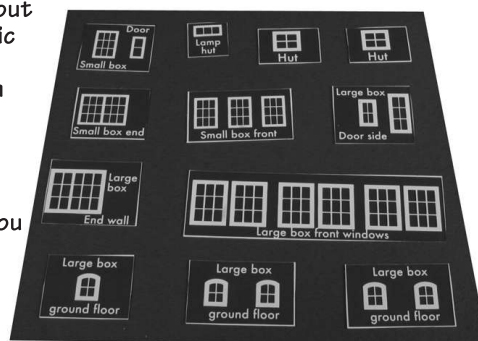
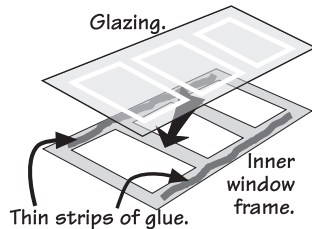


Fig. 1b. ATTACH GLAZING.

Fix each of the glazing sheets to the back of their corresponding inner window frames and doors, with the matt printed side facing through the openings. Use only the tiniest strips or spots of glue on the back of the window frames to prevent it oozing on to the visible parts of the glazing.



Also fit the glazing to the lower inner walls and the huts as well.

Place them back in your builders yard until needed.

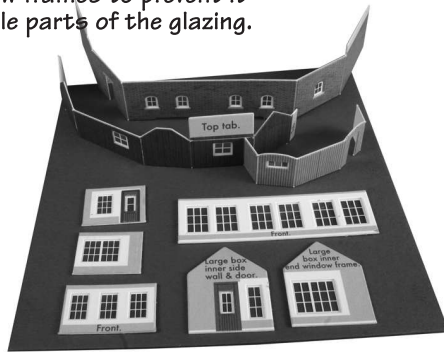
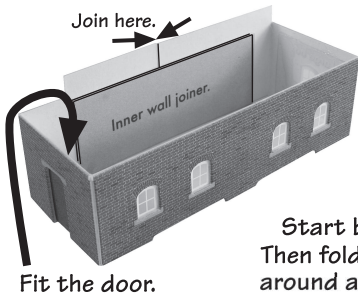
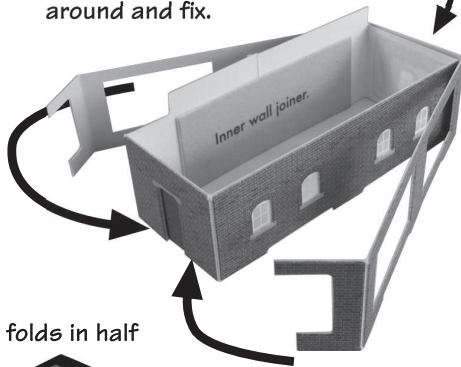


Fig. 2. LARGE BOX LOWER WALLS.

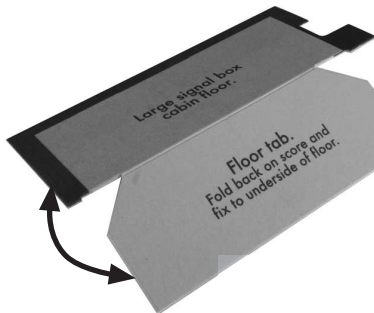
Fold the walls around so that the two halves of the back wall join butt ended together. Fix from inside using the grey inner wall joiner. Stand on a flat surface and push the joiner down so it sits flush with the wall bottom edges.



Next, fit the outer brick walls. Start by fixing the end wall as shown. Then fold the front and rear walls around and fix.



The cabin floor folds in half



Then it fits on top of the walls with the pink tab fitting inside the walls and sitting on top of the inner wall joiner.

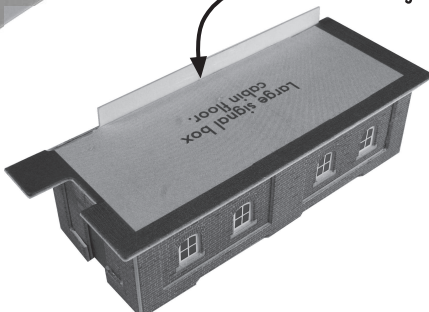


Fig. 3. UPPER CABIN WALLS.

Fold the tab on the back wall down and fix, then fold the walls around and fix the end of the back wall to the plain grey tab on the gable wall.

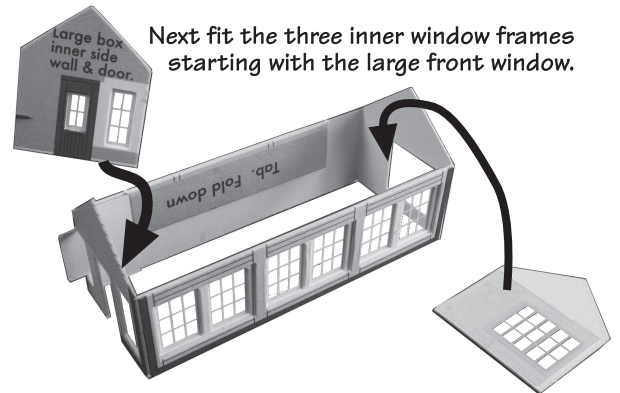
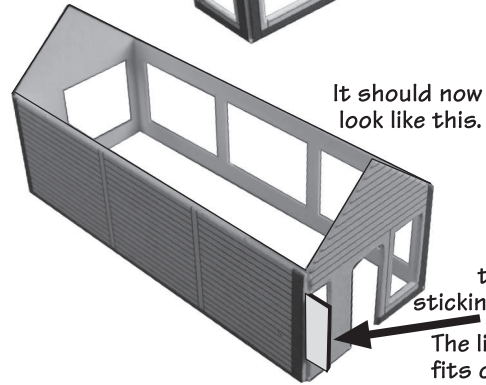
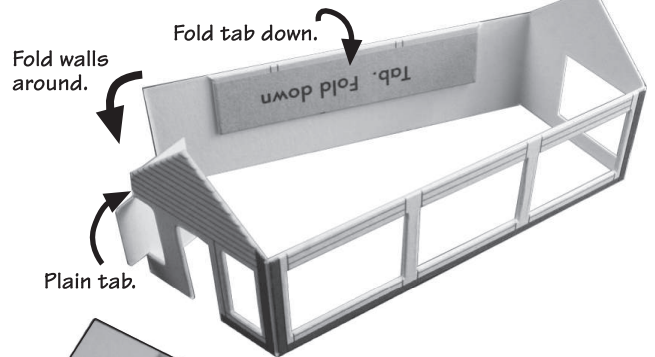
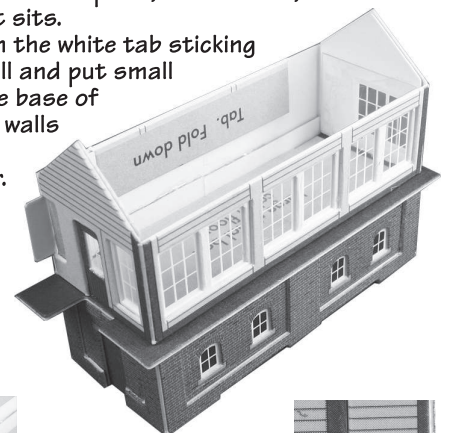
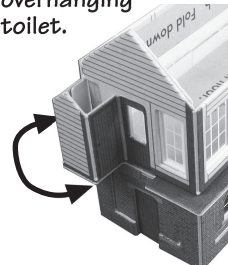


Fig. 4. FIT CABIN TO LOWER WALLS.

Before you glue the cabin in place, test it first, so that you can see where it sits. Place a little glue on the white tab sticking up from the rear wall and put small spots of glue on the base of the gable and front walls then carefully lower onto the cabin floor as shown here.

Hold firm till fast.

Now fit the three sided walls of the overhanging toilet.



Test without glue first then fit so it sits on the floor and fixes to the grey tab.

Then fit the bracket.

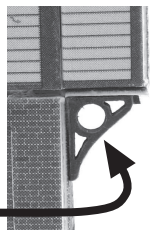


Fig. 5. ROOF AND BARGEBOARDS.

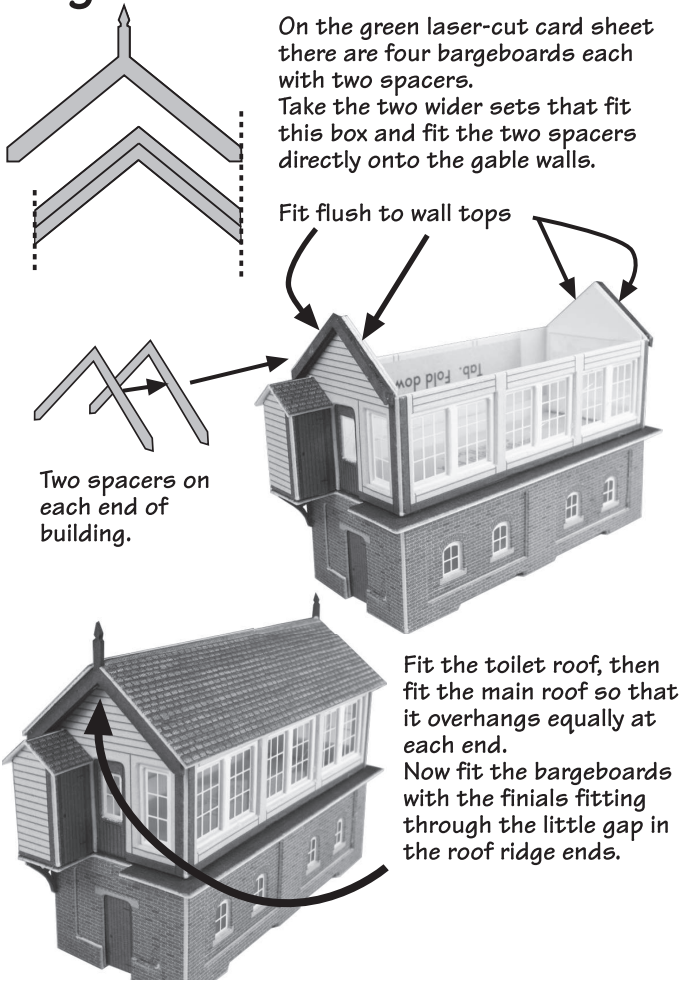


Fig. 7. ROOF AND BARGEBOARDS.

Fit in exactly the same way as Fig. 5

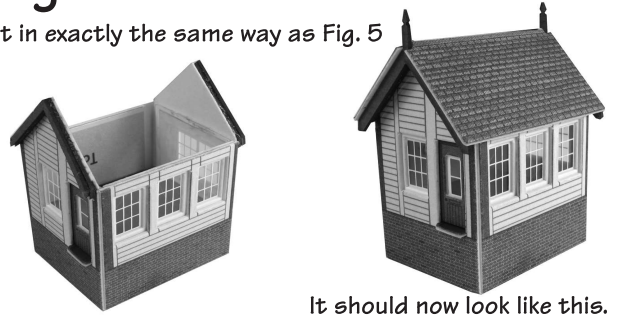


Fig. 8. JIG FOR STAIRS.

This is the really fiddly bit, and if your eyesight isn't too good you may need to use a magnifying glass.

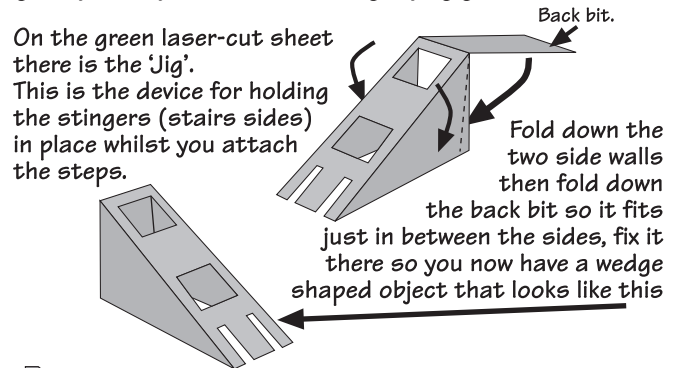


Fig. 9. BUILDING THE STAIRS.

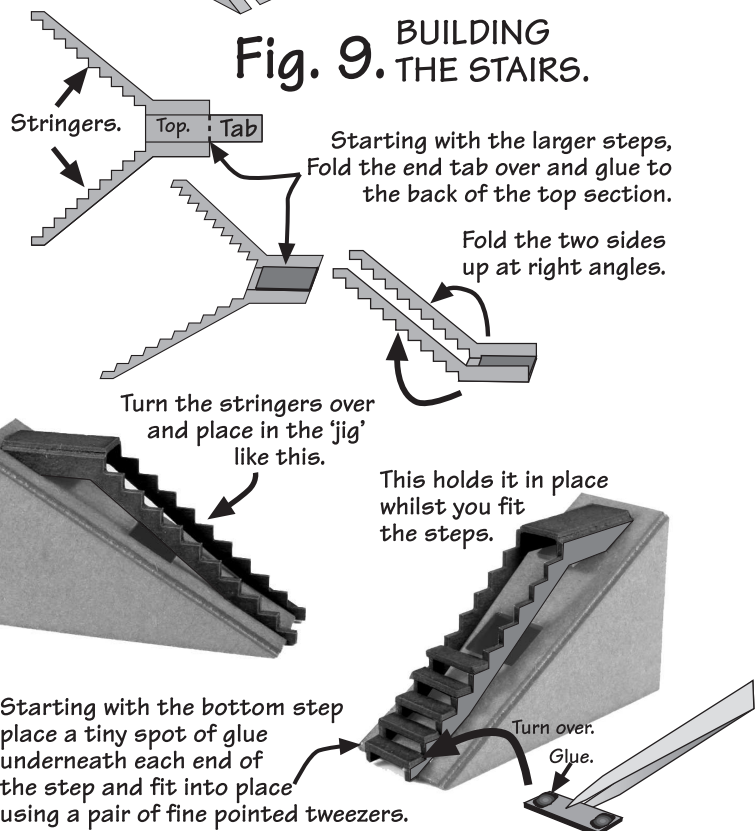
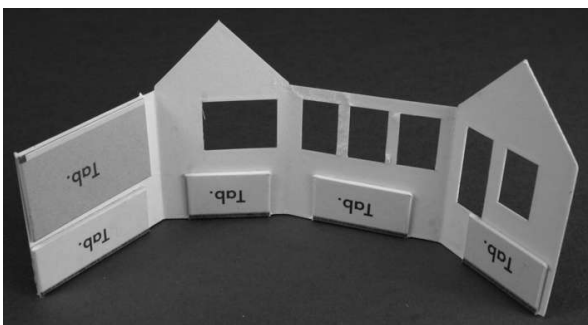


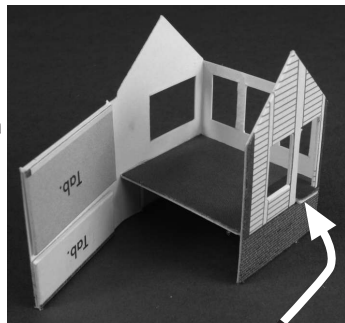
Fig. 6. SMALL SIGNAL BOX.

Starting with the outer walls, fold the four yellow tabs along the base up and glue to back of the walls. Then fold down the top grey tab in the same way.



Fold the front and two gable walls around with the floor sitting firmly down on the yellow tabs. The doorstep fits through the door opening. Hold firmly until the glue has set, then fold the back wall in and fix.

Fit the windows in the same way as the bigger box starting with the front window frame.

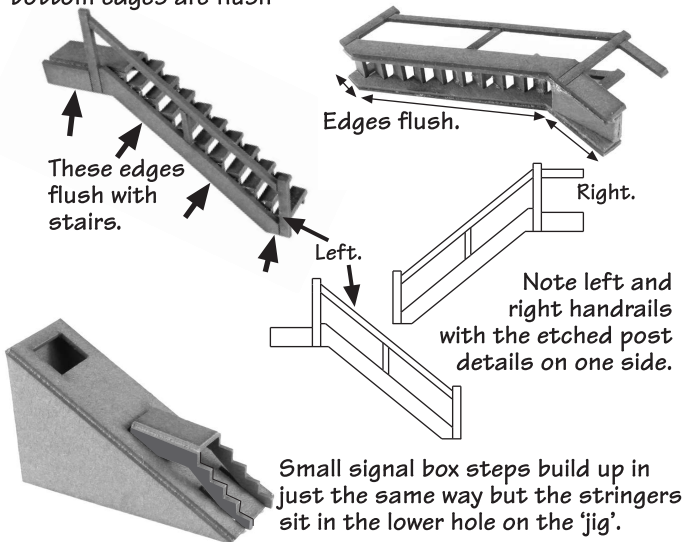


Small step pushed through doorway.



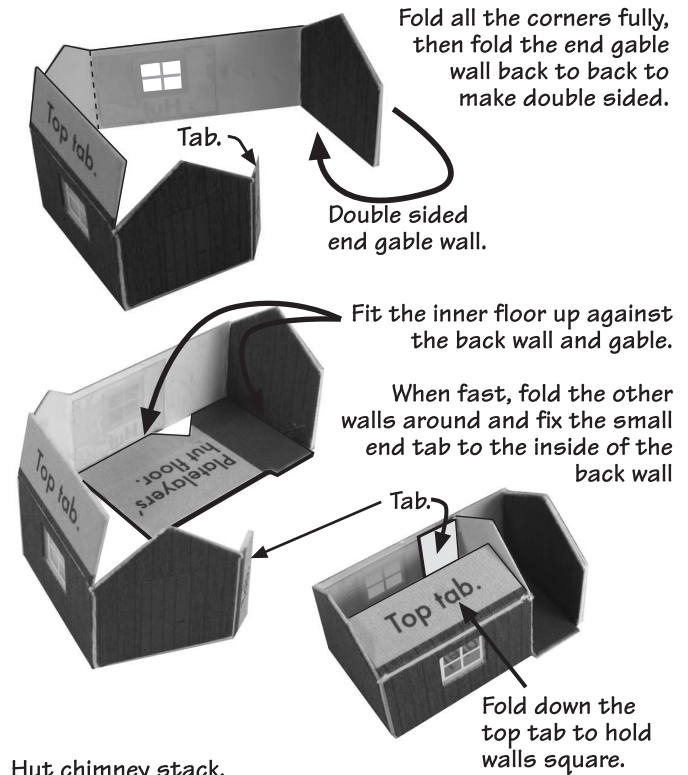
Fig. 10. HANDRAILS.

Fit the handrails onto the sides of the stairs so that the bottom edges are flush



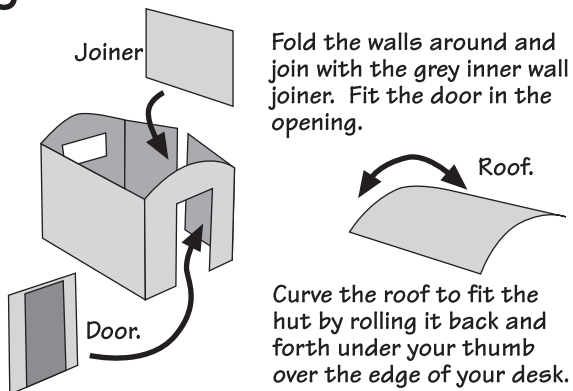
When fixing the stairs to the boxes, a small spot of glue on the end of the top landing and the ends of the handrails is all that required. Note on the small box, the stairs fits below the door step.

Fig. 11. PLATELAYERS HUT.



Hut chimney stack.

Fig. 12. LAMP HUT.



Fold the three long sides of the stack around the small square inner former (with red spot) then the top wall.

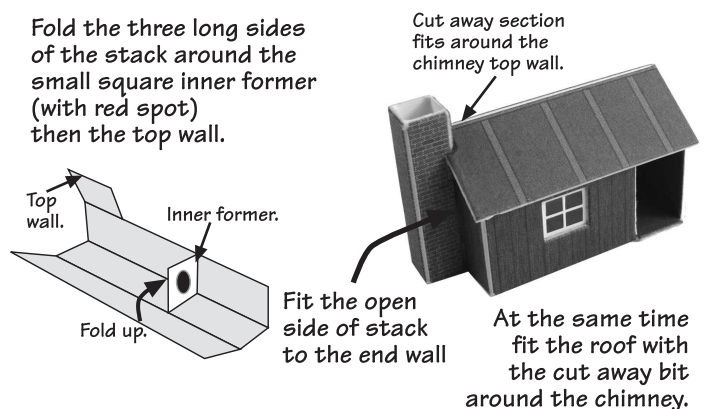


Fig. 13. CHIMNEY POT.

Cut out the terracotta coloured strips below and roll tightly around a nail or drill bit (aprox. 2mm. dia.)

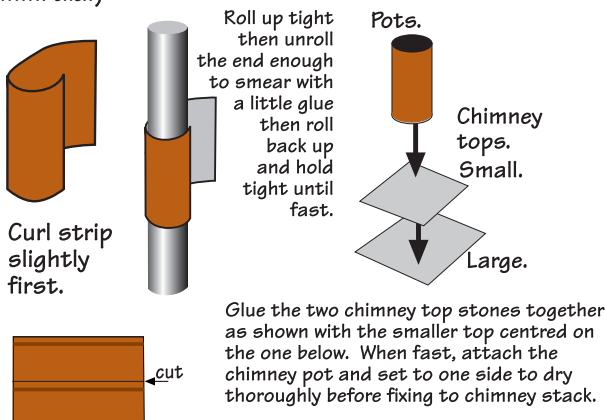


Fig. 14. FINISHING TOUCHES.

Cut to length and fit the ridge tile strip.

The chimneys on these types of signal boxes were usually pipes that came through the roof from a small stove.

To make, cut a cocktail stick to 35mm. long and paint black. Make a tiny hole in the roof and push the stick down until it sticks into the floor below.

To paint the white corners that show through the scorelines use very much watered down water paints (cheap kiddies water paint set will do). Then very, VERY carefully run the point of a fine paint brush down the scored edges. TEST ON WASTE CARD BEFORE YOU PAINT THE KIT.

