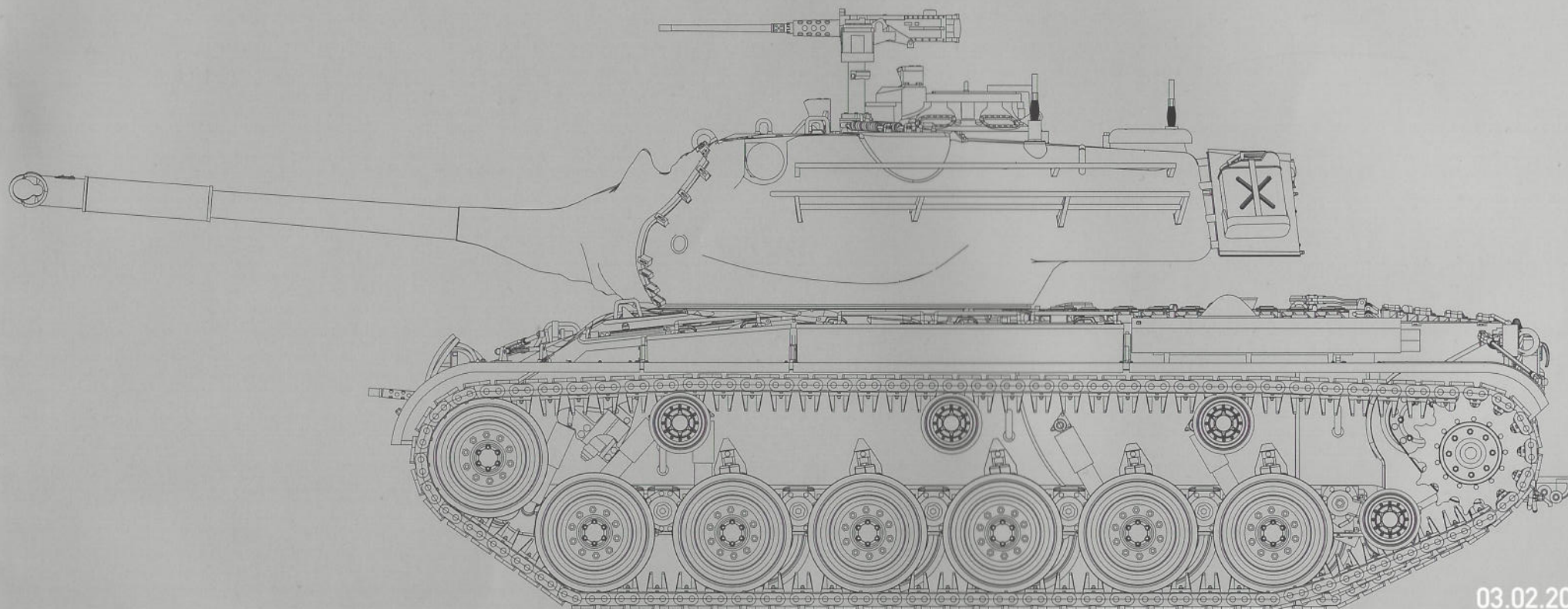


US MEDIUM TANK M47 PATTON



03.02.2070

In the early 1950's, the U.S.A. found itself committed to defending the newly formed cold war NATO alliance in Europe against the Warsaw Pact forces, and fighting a hot war in Korea, resulting in a severe shortage of tanks. At the time, the best US tank in service was the M46 Patton, but because of a lack of stocks of M26 Pershings available for the conversion, it was decided to produce an interim design utilizing new concepts from the experimental T42 medium tank, which had been experiencing developmental problems.

Based on a modified hull of the proven M46, the 48.6 ton M47 featured the cast T42 turret with its improved ballistic protection. The turret ring diameter on the hull was increased to fit the T42 turret, housing the M36 90mm main gun with M12 optical stereoscopic rangefinder protruding from the upper corners. A secondary Browning M1919 .30 caliber machine gun was mounted coaxially to the main gun, and another in the bow position of the hull (the last time this was featured in a U.S. tank design), with a Browning M2 .50 caliber machine gun mounted in a pintle on the turret roof. 71 rounds of 90mm ammunition were stored inside the vehicle, with 11 mounted in the ready rack in the turret bustle, 12 on the sides of the hull, and 48 stowed in racks beneath the turret floor. The upper glacis was improved by increasing the slope of the 4-inch (102mm) armor to 60 degrees, and the rotoclone blower was removed from the upper front hull, replaced by a new blower above the turret bustle. The configuration of the hull was further modified from the original by removing the 2nd & 4th track return rollers on each side. Powered in the rear by an improved 800HP Continental AV-1790-5B V-12 air-cooled gasoline engine and Allison/General Motors CD-850-4 transmission, the M47 had a maximum speed of 37 mph (60 km/h) and an operational range of up to 100 miles (160 km). The M47 was the last US tank to require a 5-man crew, which consisted of the driver & co-driver/bow machine gunner stationed in the front of the hull, and the tank commander, gunner, and loader in the turret.

Production for the Ordnance Department began in June 1951 at the Detroit Arsenal, later being taken over by Chrysler, and concluded in November 1953, with some 5481 units produced, with an additional 3095 examples being produced by the American Locomotive Company. By the late 1950's, the M47 was already declared obsolete in favor of the new M48, and was retired from US service without firing a shot in combat. Beginning in the 1950's, the M47 was exported through the Military Aid Program to Austria, Belgium, Ethiopia, France, Greece, Italy, Jordan, the Republic of Korea, the Netherlands, Pakistan, Portugal, Iran, Iraq (from Iran), Saudi Arabia, Somalia (from Saudi Arabia), Spain, Sudan (from Saudi Arabia), Turkey, West Germany, and Yugoslavia (later Bosnia & Herzegovina). The M47 has seen combat in the service of Croatia, Iran, Jordan, Pakistan and Somalia.

03.03.2070



M47 PATTON

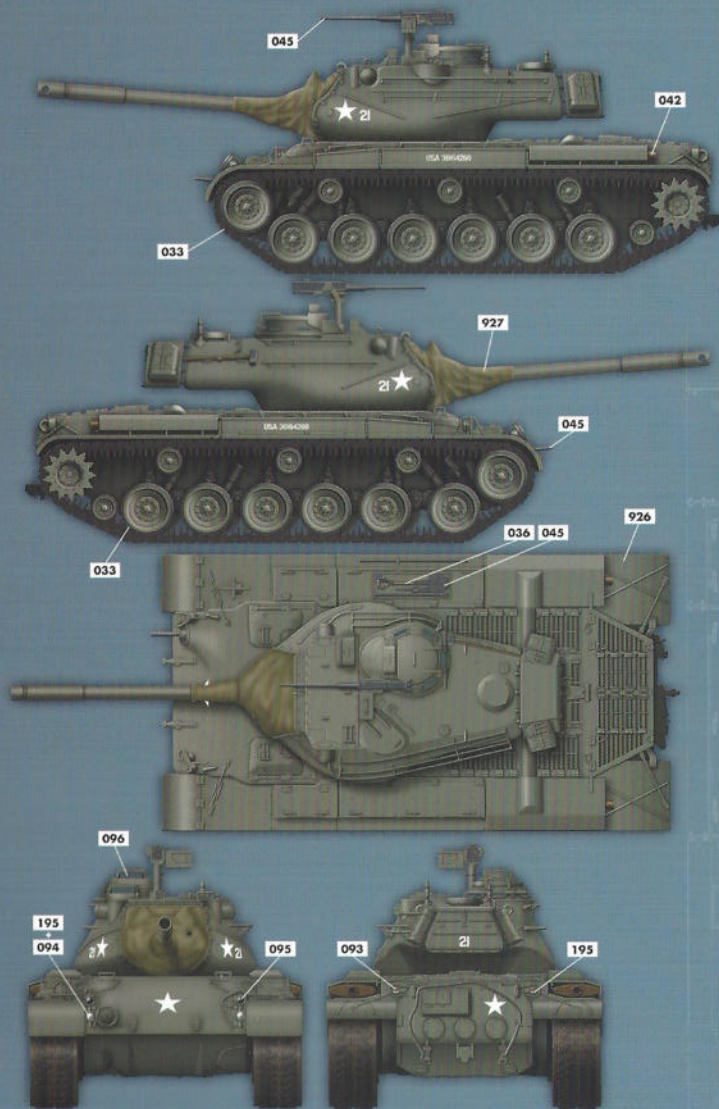
Color info and profiles by



Painting and Marking Guide

- A.MIG 033 Rubber & Tires
- A.MIG 036 Old Wood
- A.MIG 042 Old Rust
- A.MIG 045 Gun Metal
- A.MIG 093 Crystal Red
- A.MIG 094 Crystal Glass
- A.MIG 095 Crystal Smoke
- A.MIG 096 Crystal Periscope Green
- A.MIG 195 Silver
- A.MIG 927 Olive Drab Light Base
- A.MIG 926 Olive Drab Base

M-47 Early Production Detroit Tank Arsenal, U.S.A. 1951.



TAKOM M47 Patton Ref: 2070

A

03.03.2070



M47 PATTON

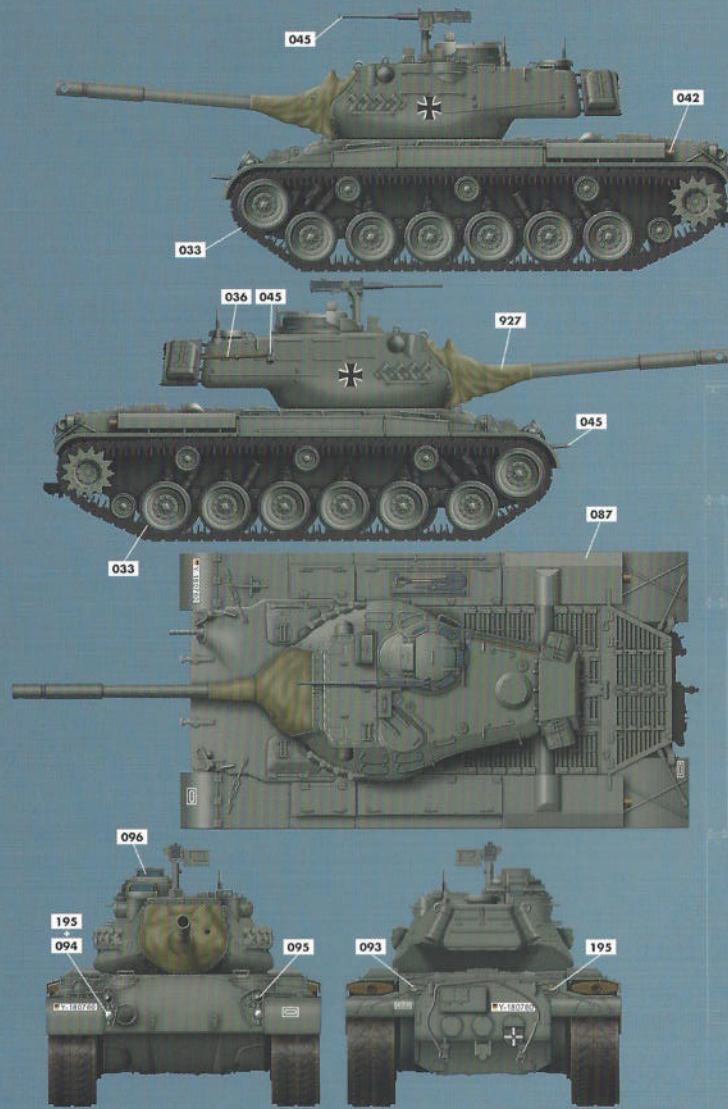
Color info and profiles by



Painting and Marking Guide

- A.MIG 033 Rubber & Tires
- A.MIG 036 Old Wood
- A.MIG 042 Old Rust
- A.MIG 045 Gun Metal
- A.MIG 093 Crystal Red
- A.MIG 094 Crystal Glass
- A.MIG 095 Crystal Smoke
- A.MIG 096 Crystal Periscope Green
- A.MIG 195 Silver
- A.MIG 927 Olive Drab Light Base
- A.MIG 087 RAL 6014 Gelboliv

M47 G, Western Germany, 1960s



TAKOM M47 Patton Ref: 2070

B

READ BEFORE ASSEMBLY

CAUTION

- Read carefully and fully understand the instructions before commencing assembly. A supervising adult should also read the instructions if a child assembles the model.
- When assembling this kit, tools including knives used. Extra care should be taken to avoid personal injury.
- Keep out of reach of small children. Children must not be allowed to suck any part, or pull vinyl bag over their heads.



Optional



Be Careful



Do Not
Cement



Remove



Fill Holes



Drill

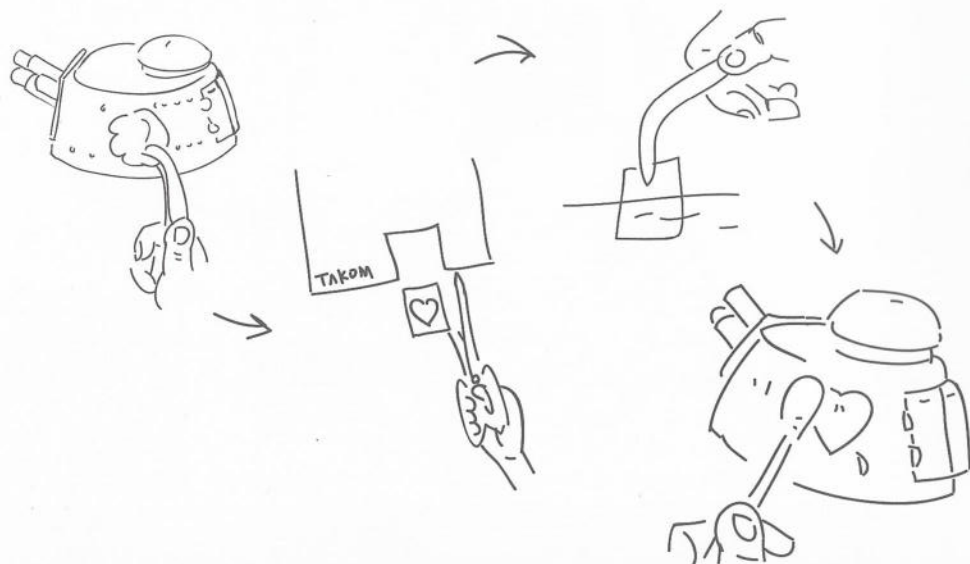
PAINTS REQUIRED

Color info and profiles by Mig Jimenez

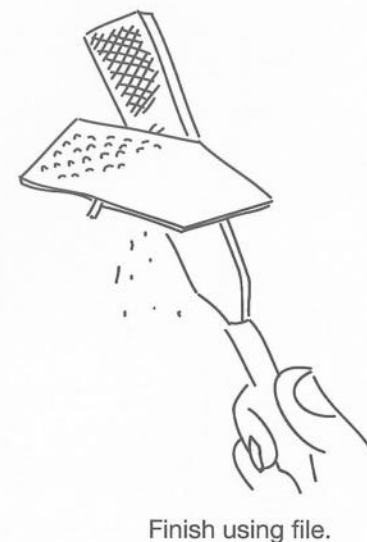
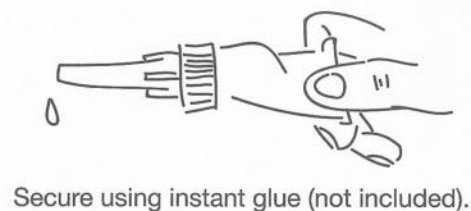
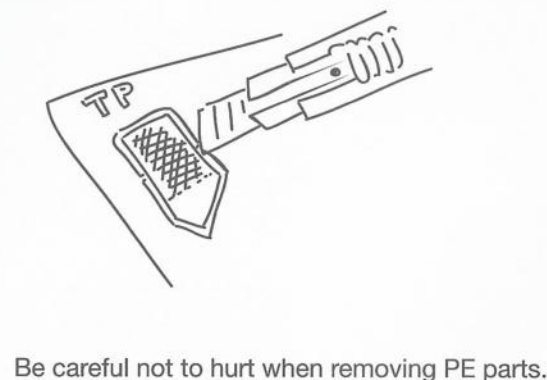
A.MIG 033	Rubber & Tires	A.MIG 038	Old Wood	A.MIG 042	Old Rust	A.MIG 045	Gun Metal
A.MIG 093	Crystal Red	A.MIG 094	Crystal Glass	A.MIG 095	Crystal Smoke	A.MIG 096	Crystal Periscope Green
A.MIG 195	Silver	A.MIG 026	Olive Drab Base	A.MIG 027	Olive Drab Light Base	A.MIG 061	Warm Sand-Yellow
A.MIG 070	Medium Brown	A.MIG 032	Russian Base	A.MIG 029	Desert Sand	A.MIG 052	Deep Green
A.MIG 046	Matt Black	A.MIG 047	Satin White	A.MIG 084	NATO Green	A.MIG 087	RAL 6014 GELBOLIV

APPLYING DECALS

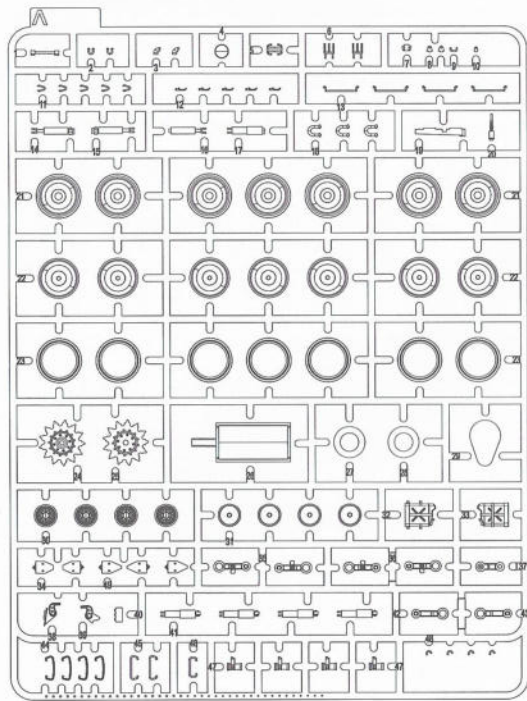
1. Clean the model surface with a wet cloth.
2. Cut out each decal design from sheet, and dip it in tepid water for 15~20 sec.
3. Hold the backing sheet edge and slide decal onto the model.
4. Move decal into position by wetting decal with finger.
5. Press decal gently down with a soft cloth until excess water and air bubbles are gone.



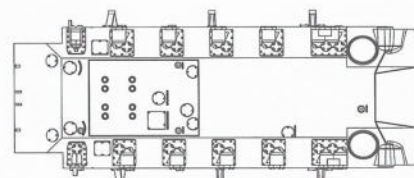
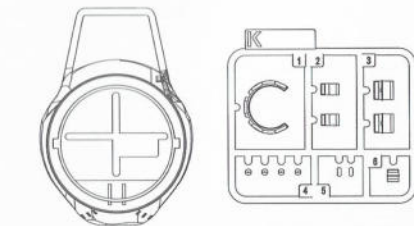
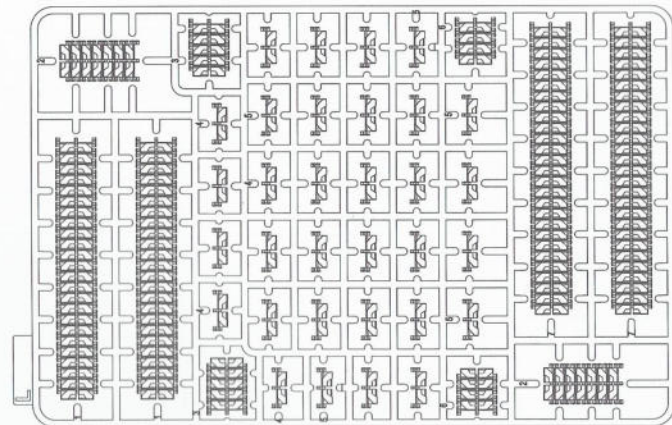
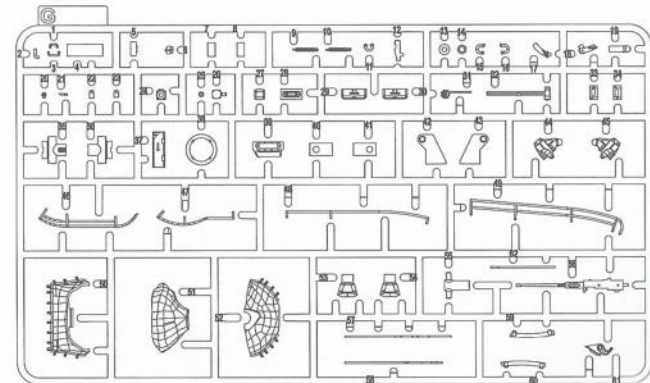
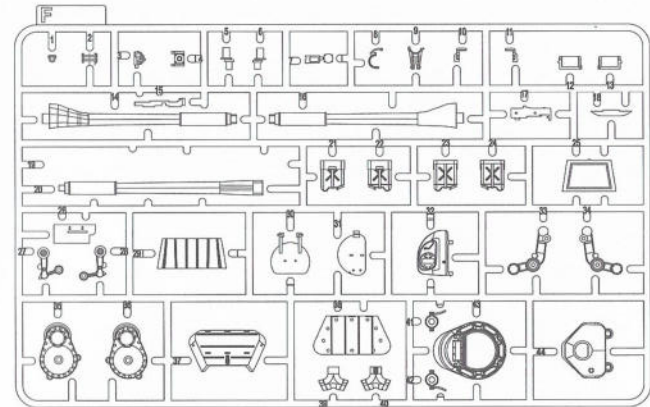
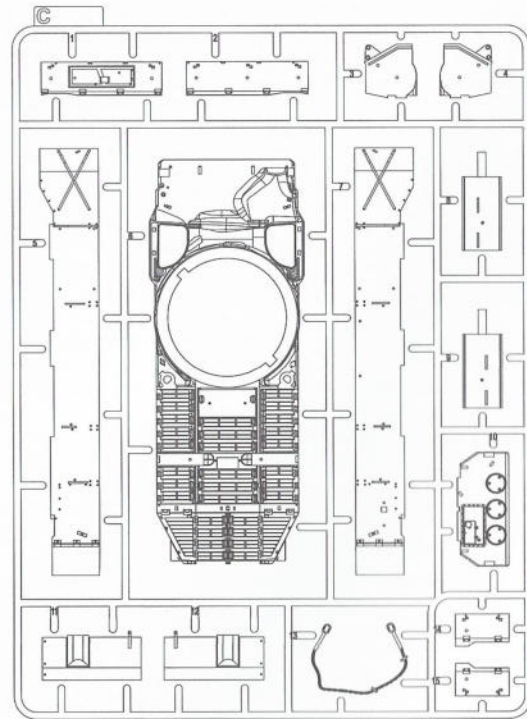
REMOVING PE



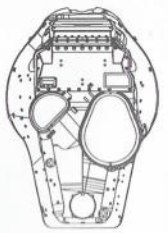
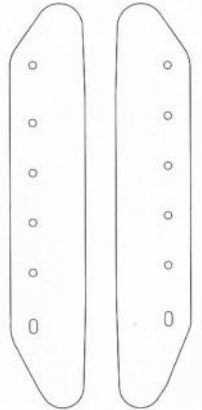
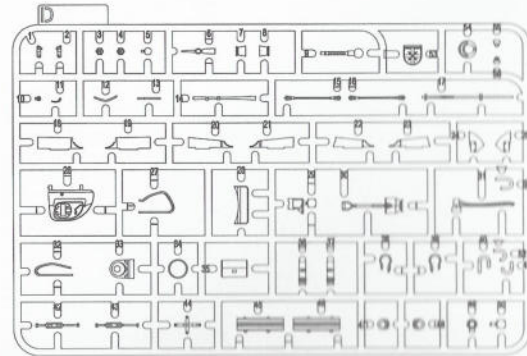
PARTS



X2



Lower Hull



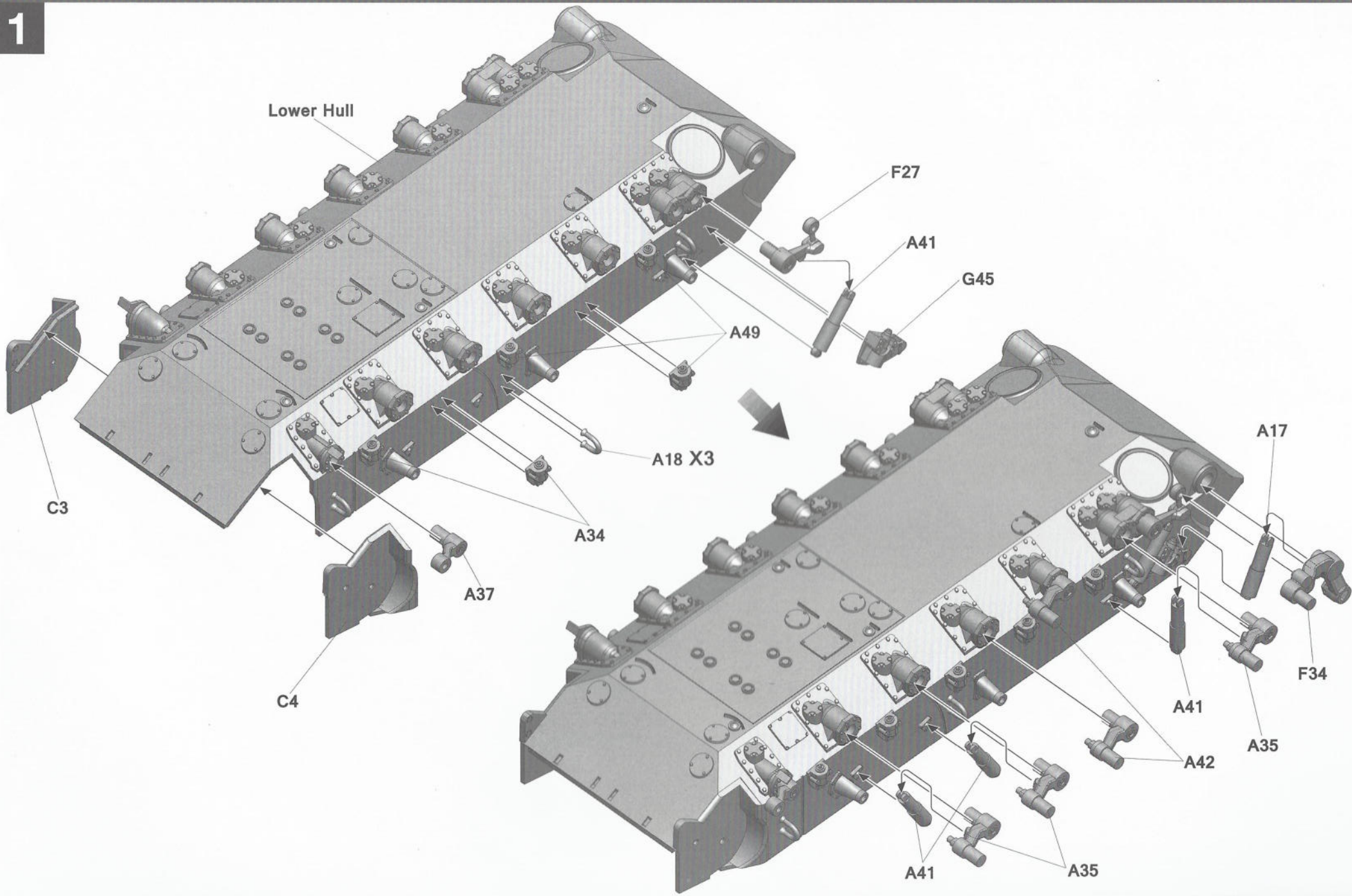
Turret



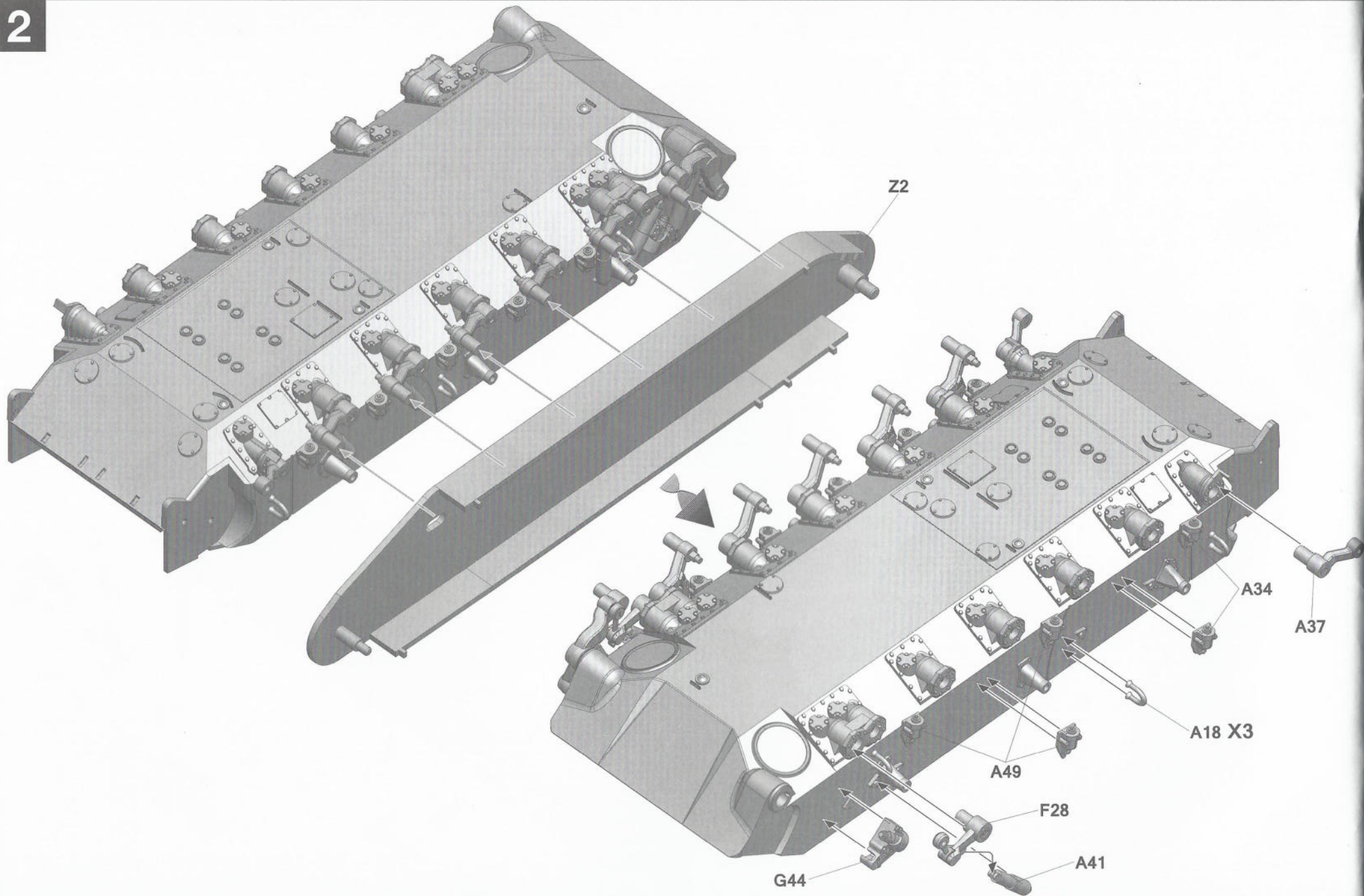
Decal

1

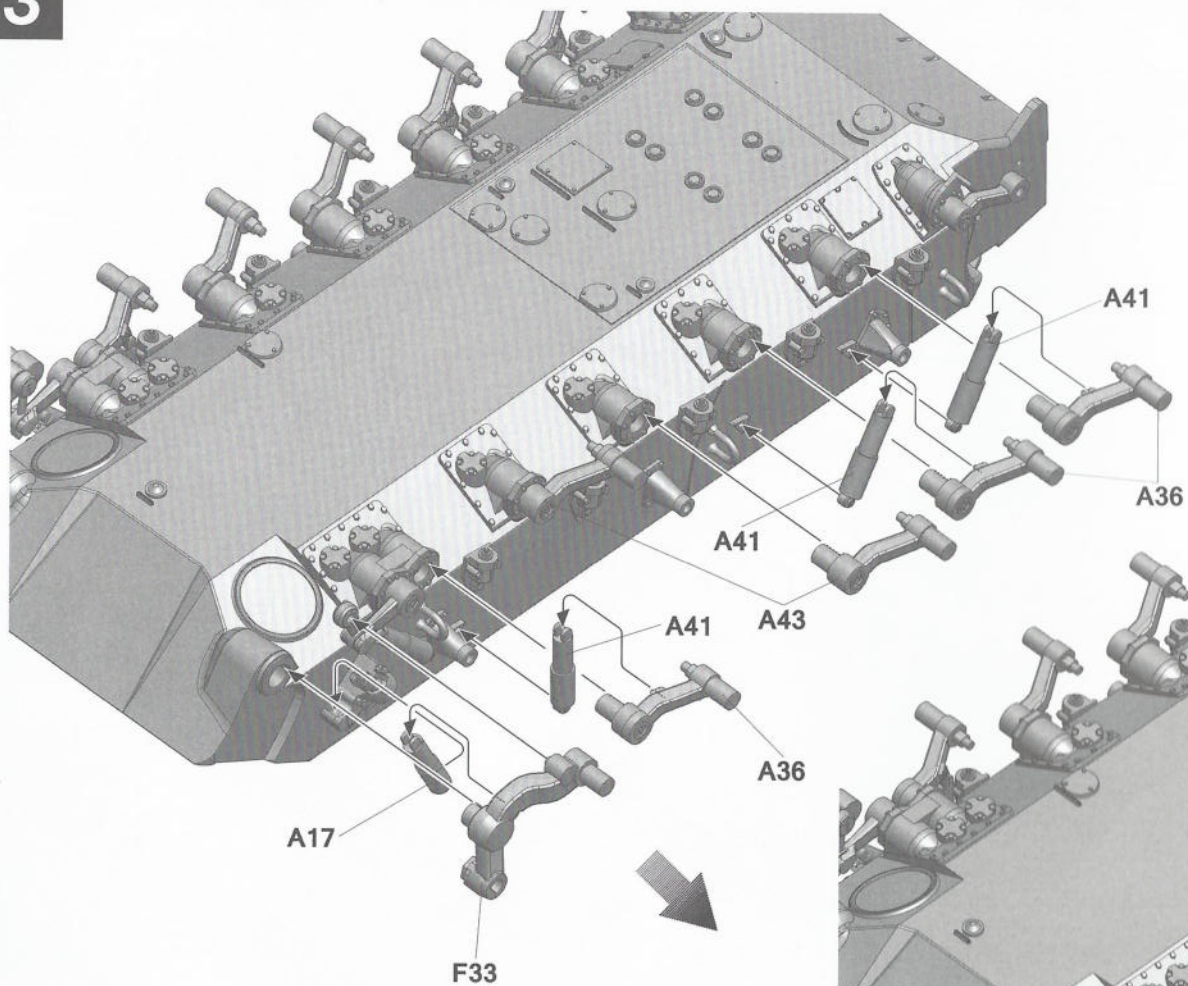
Lower Hull



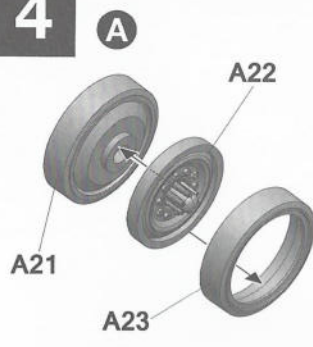
3



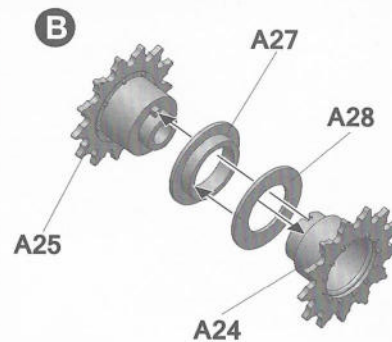
3



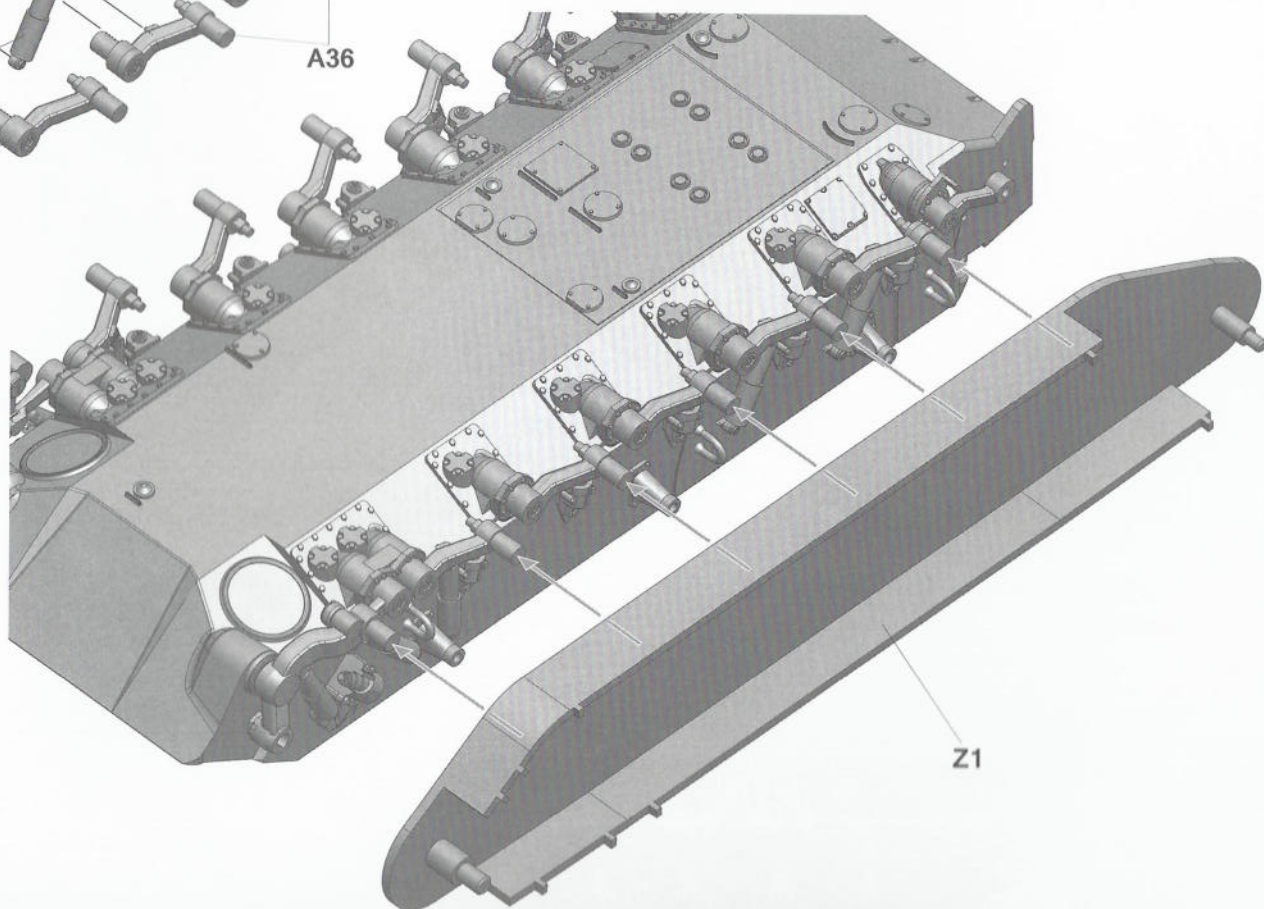
4



Make 14

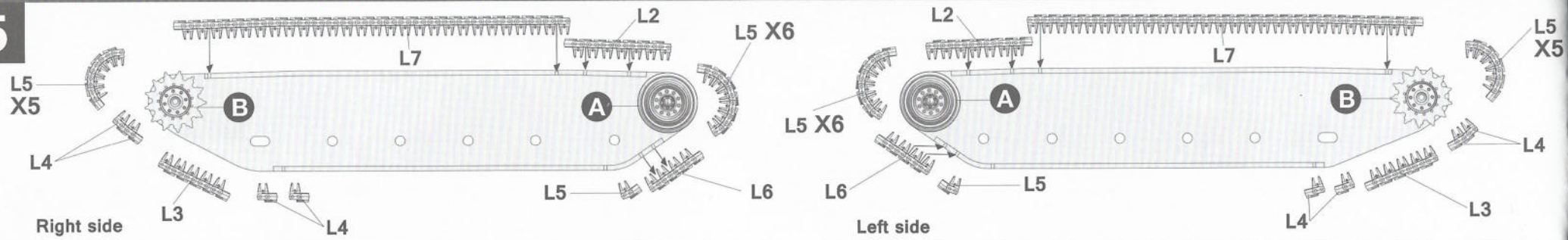


Make 2

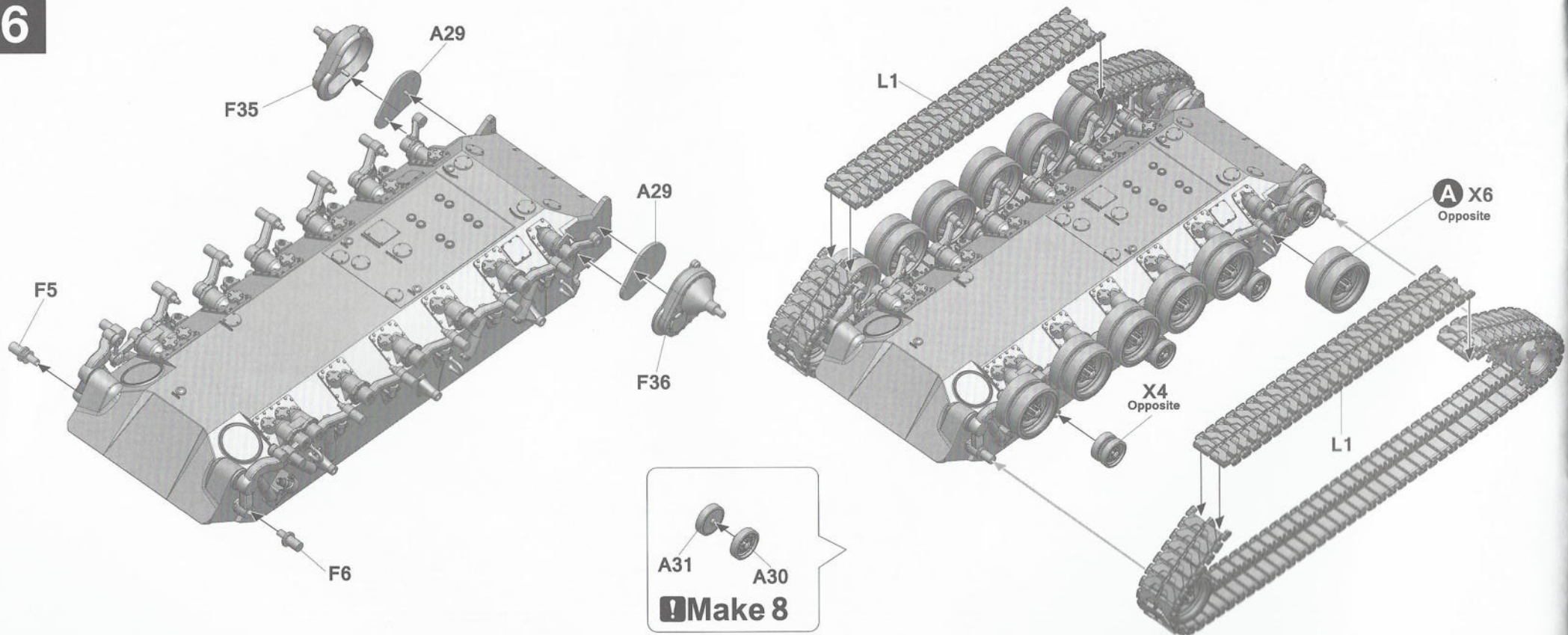


5

5



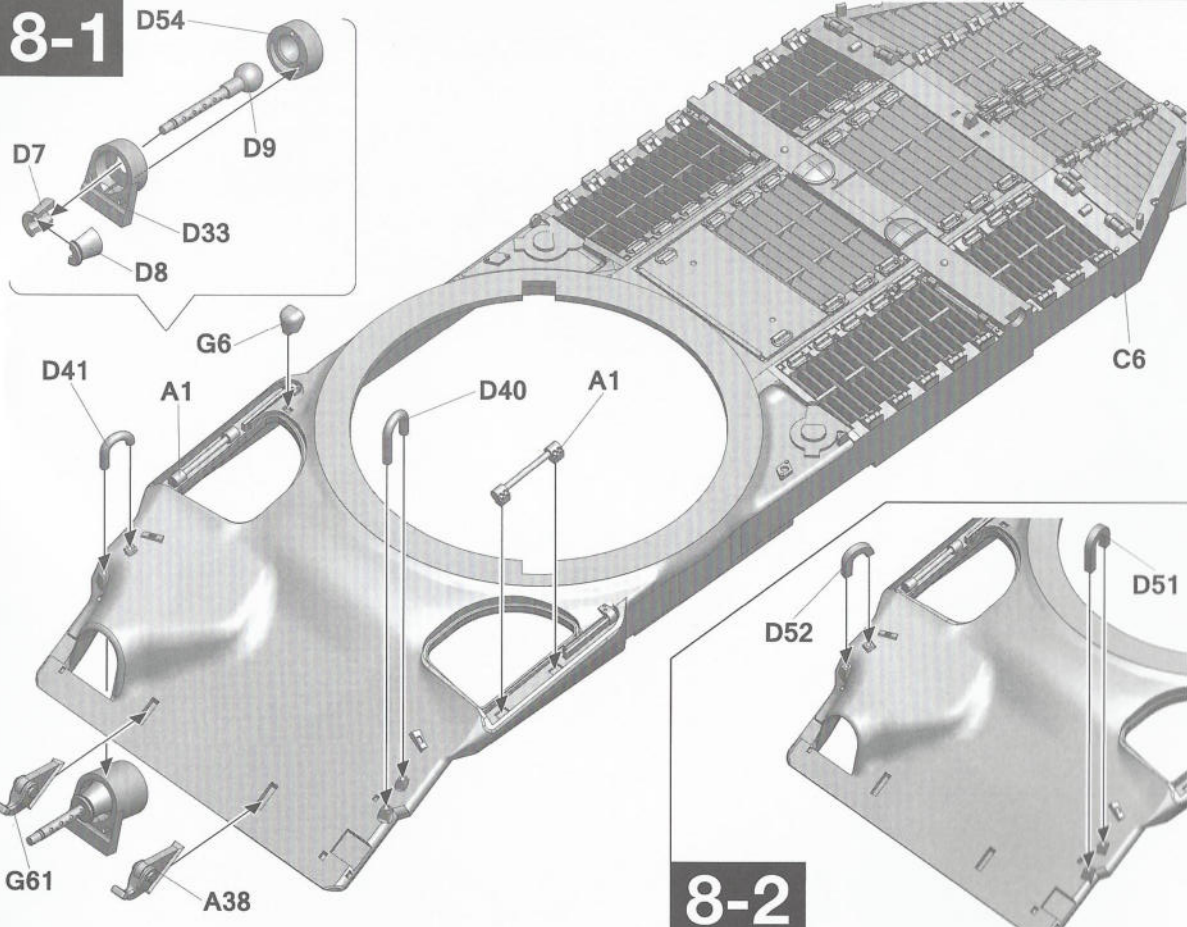
6



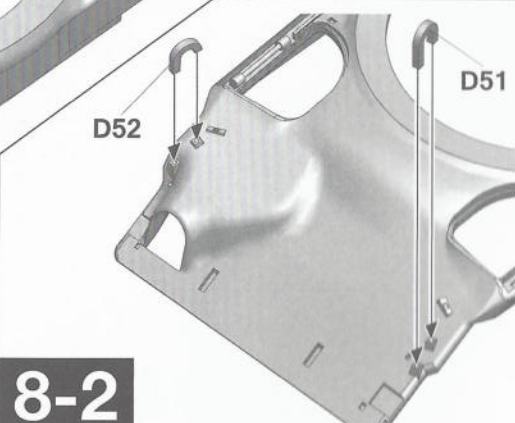
7



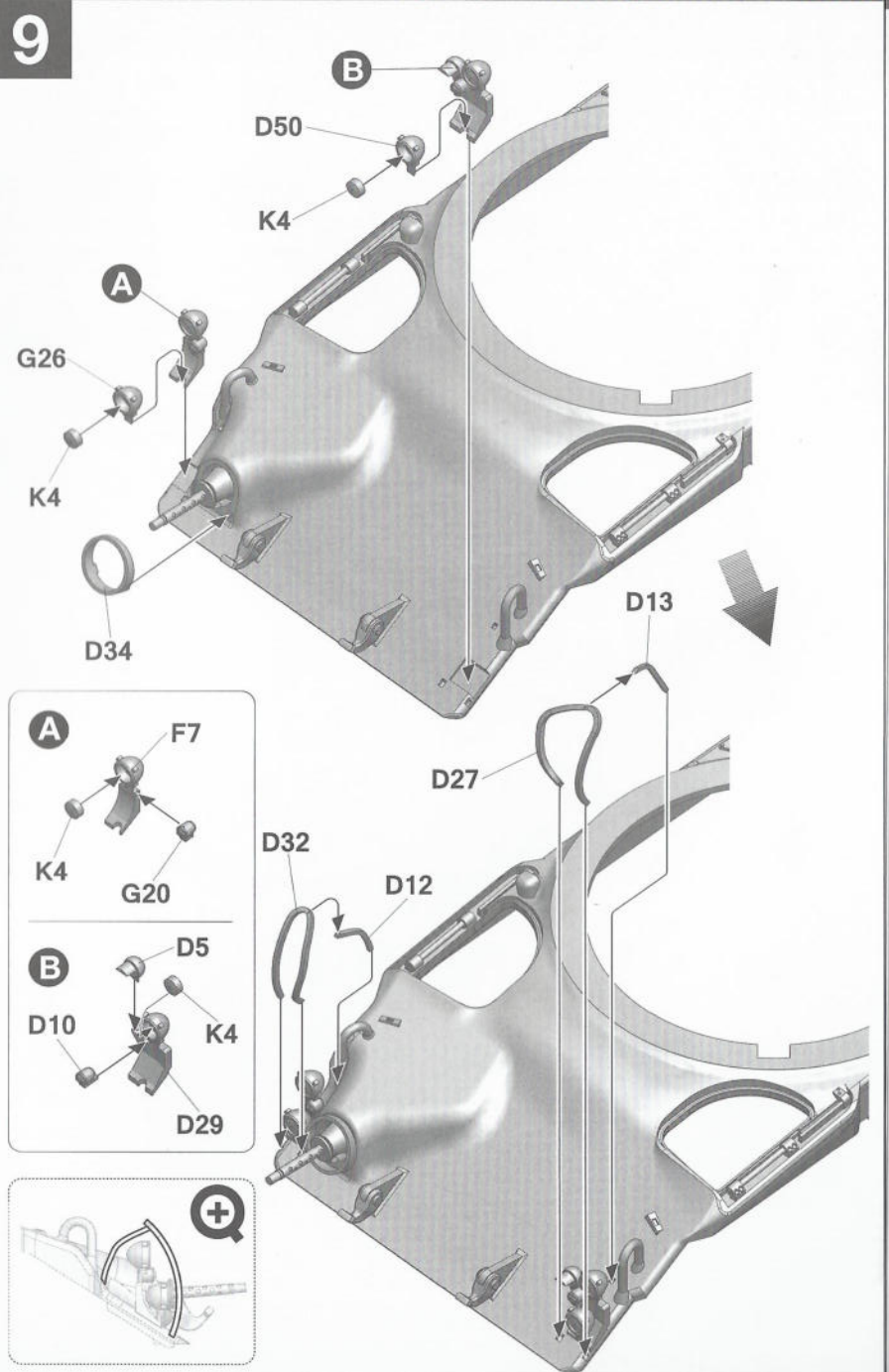
8-1



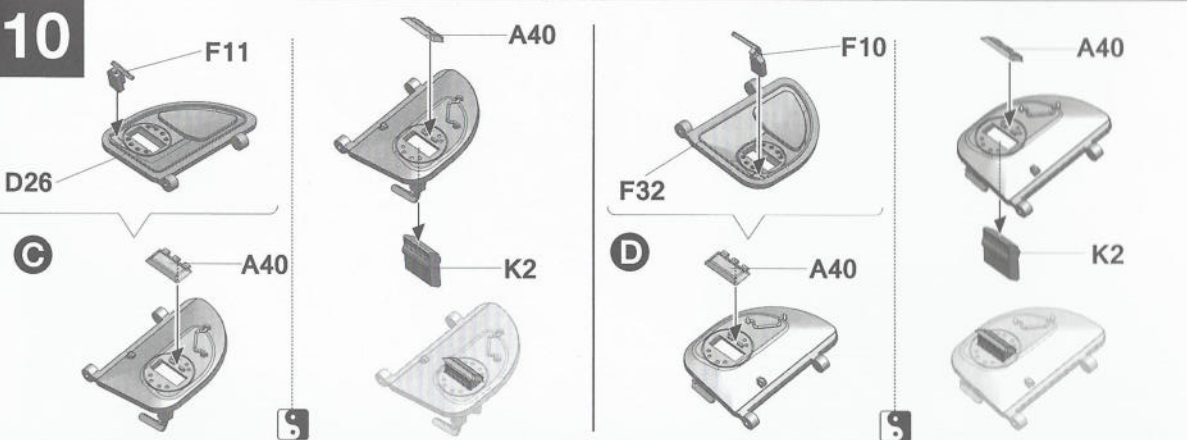
8-2



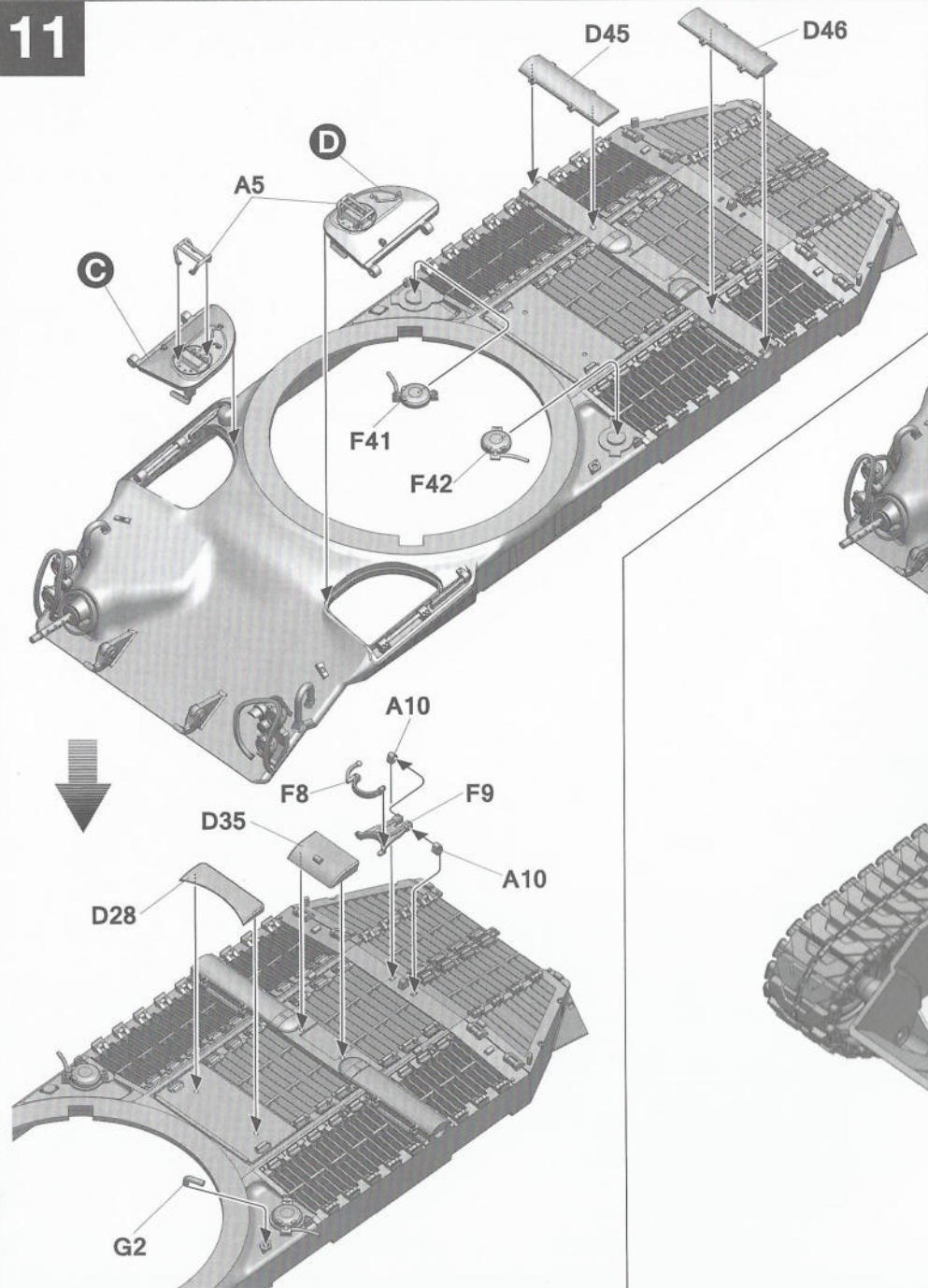
9



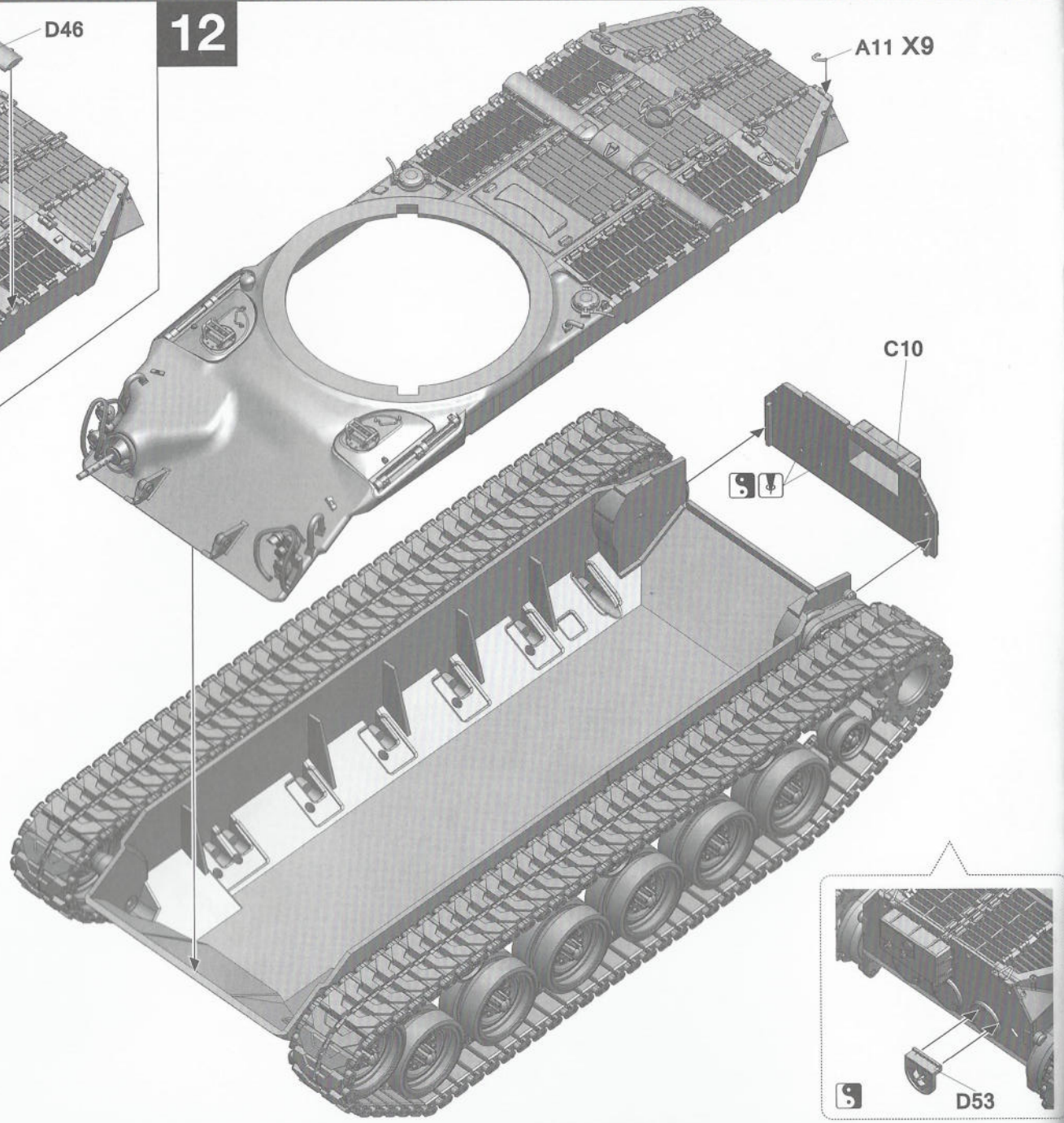
10



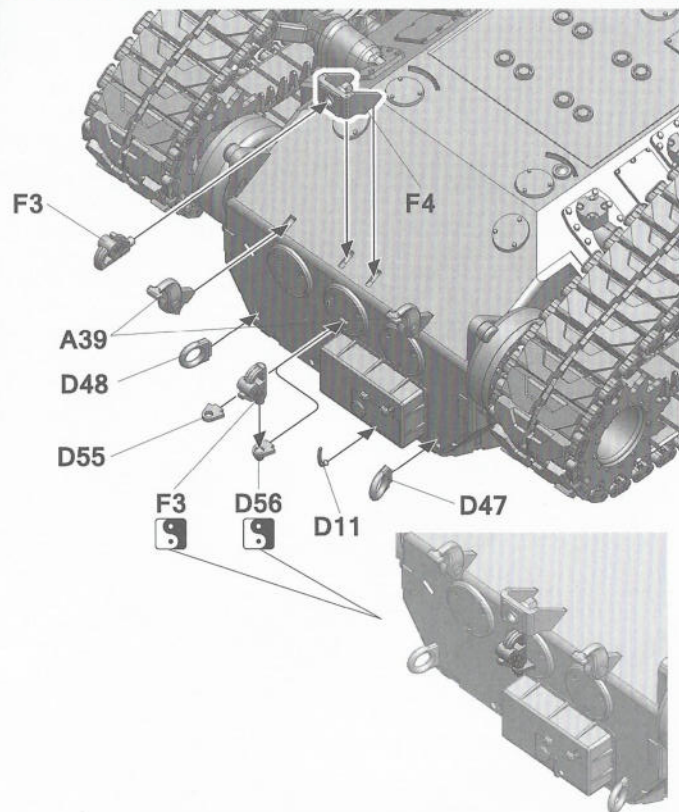
11



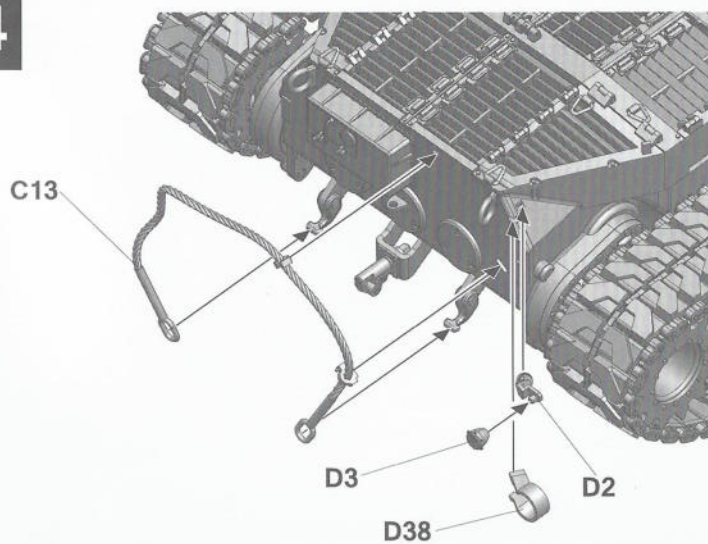
12



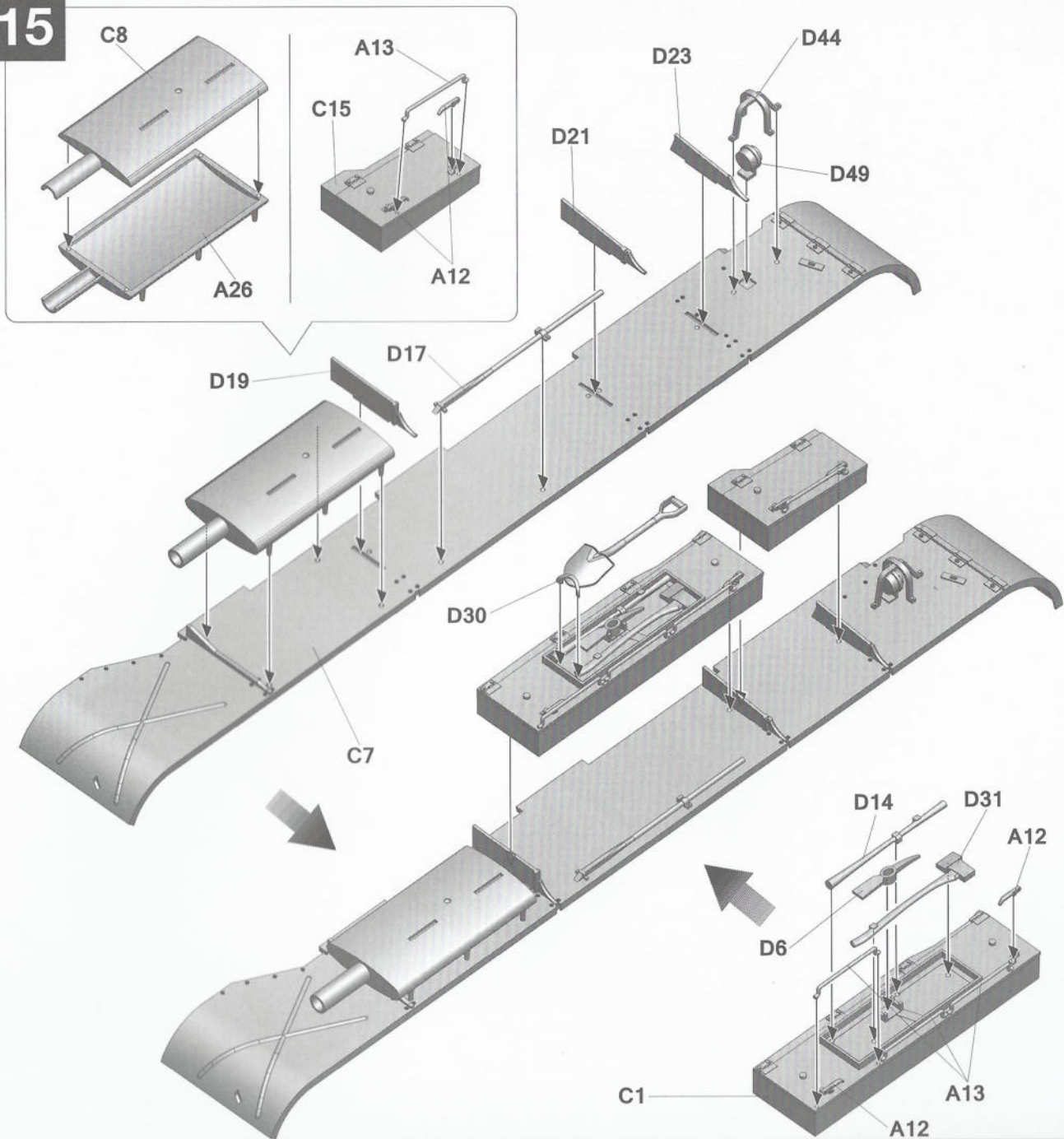
13



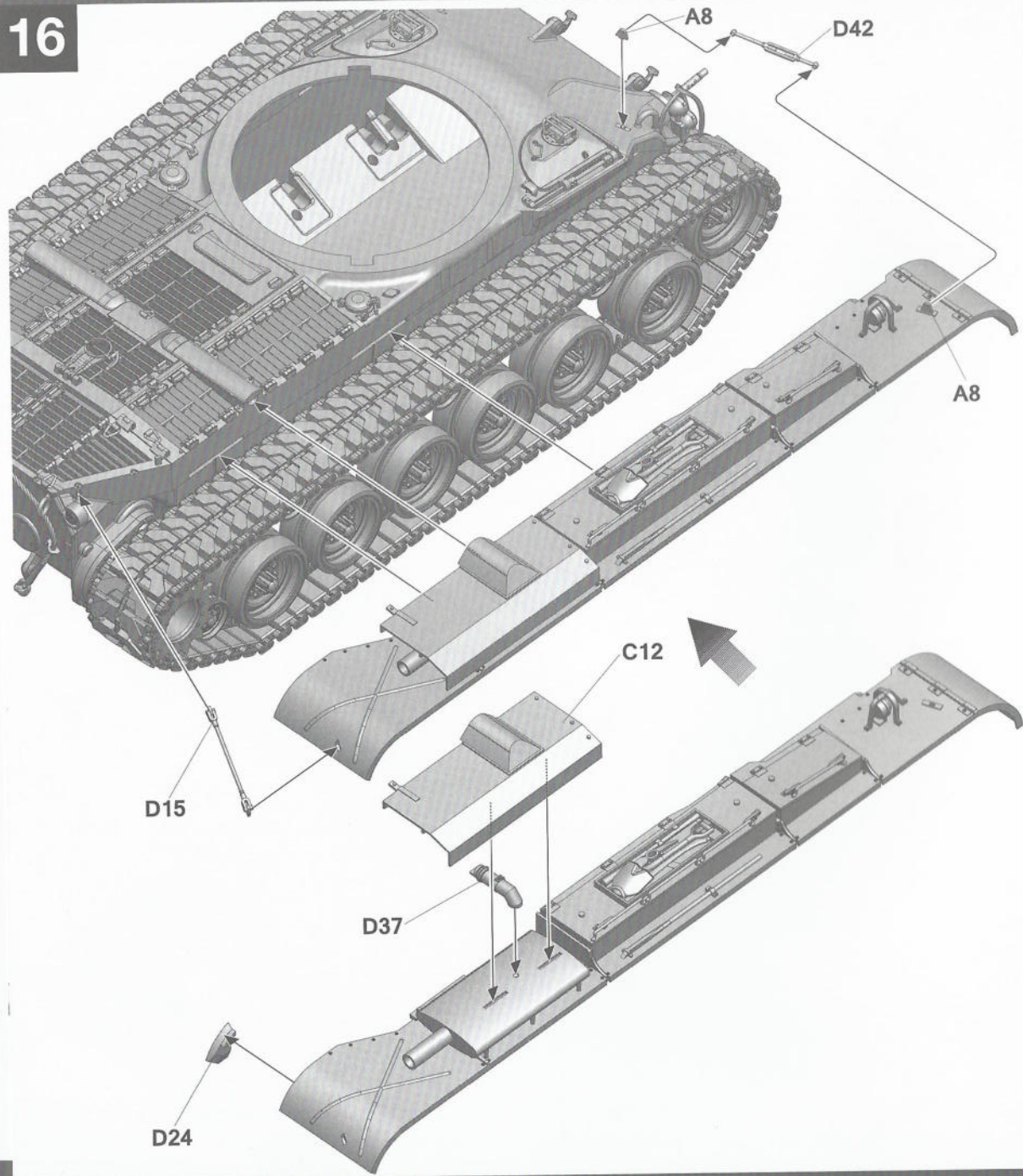
14



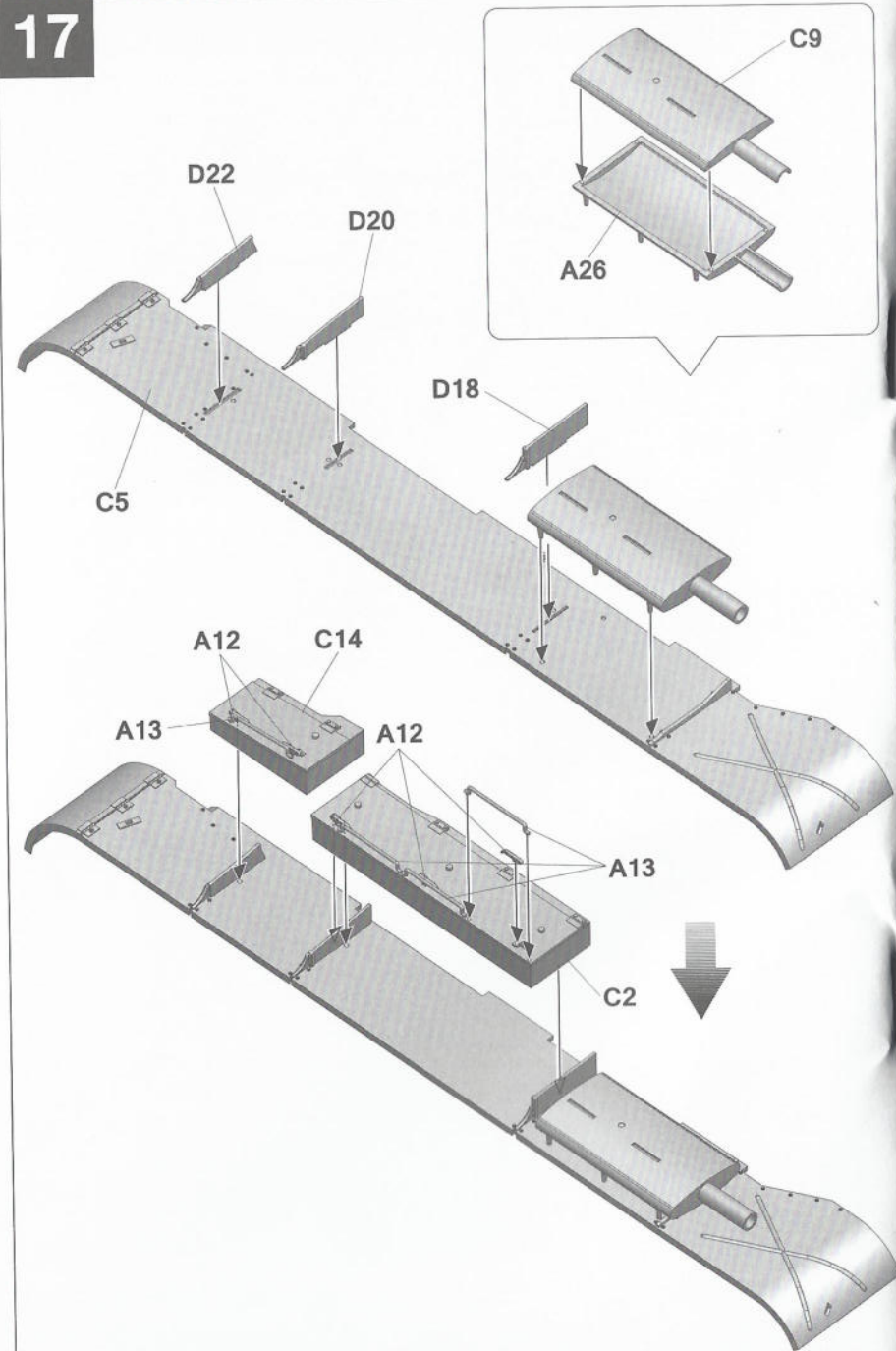
15



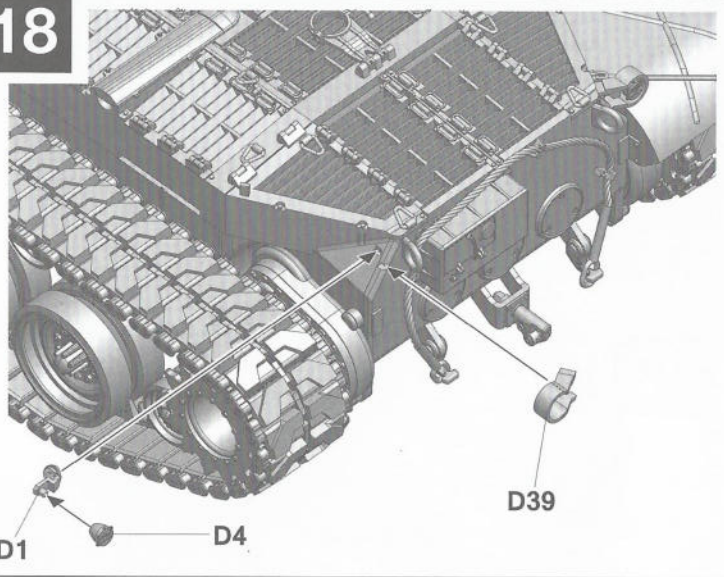
16



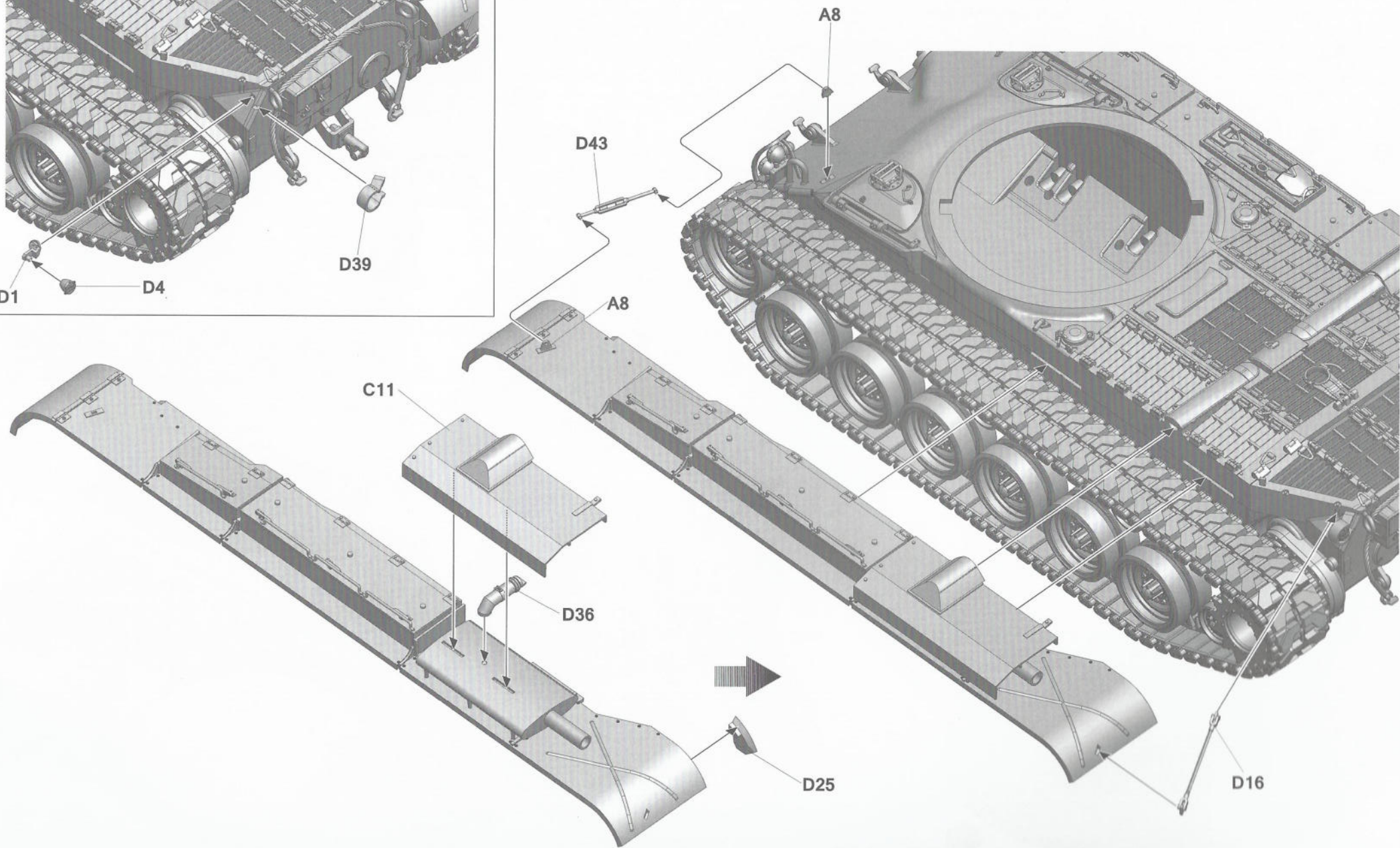
17



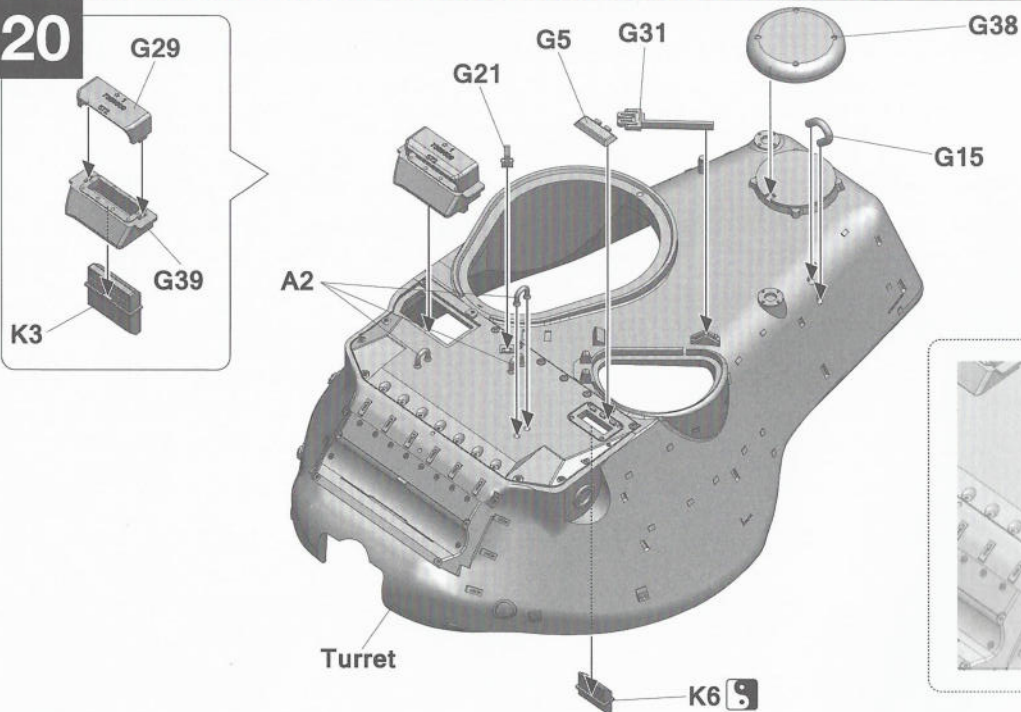
18



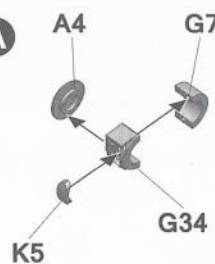
19



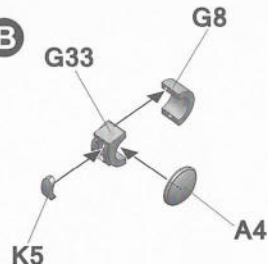
20



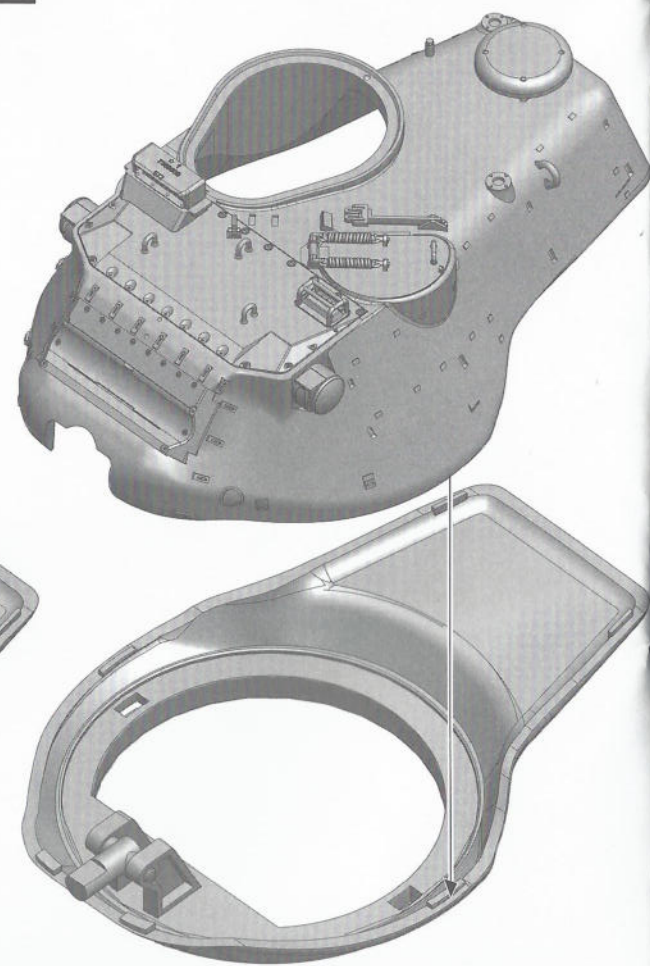
A



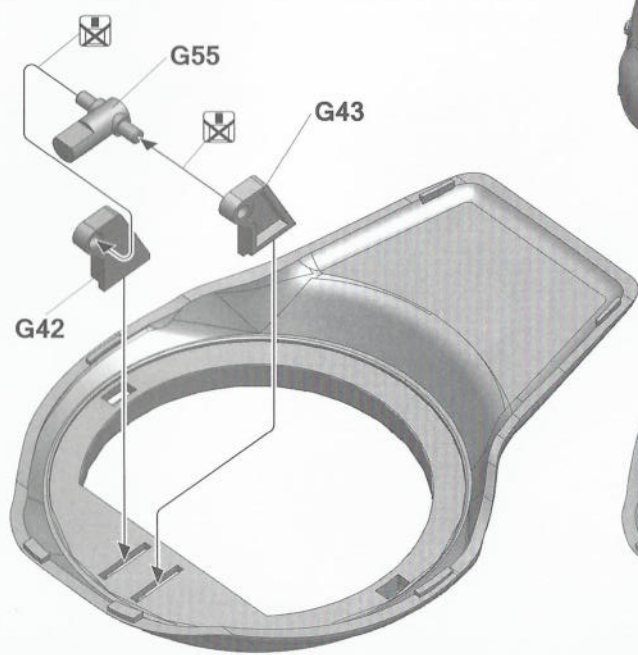
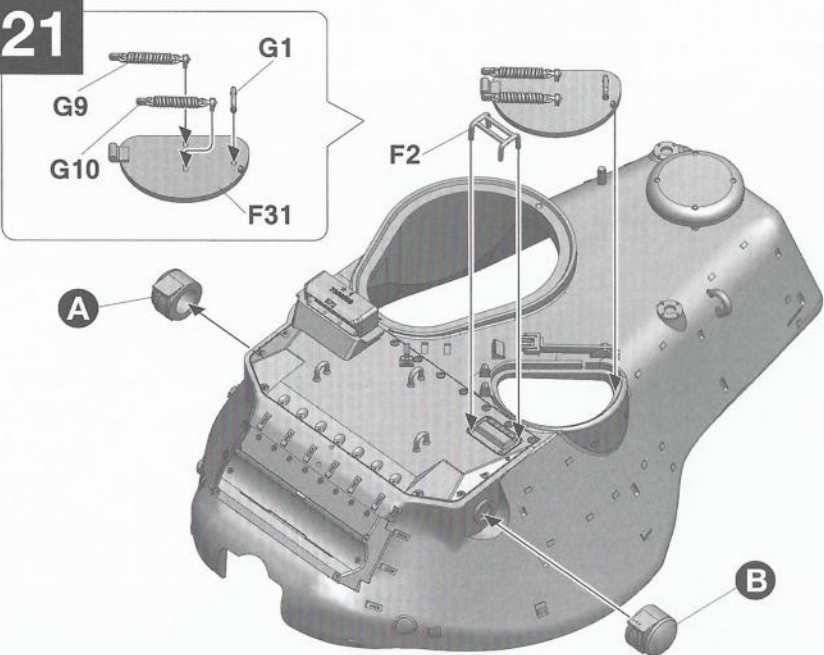
B



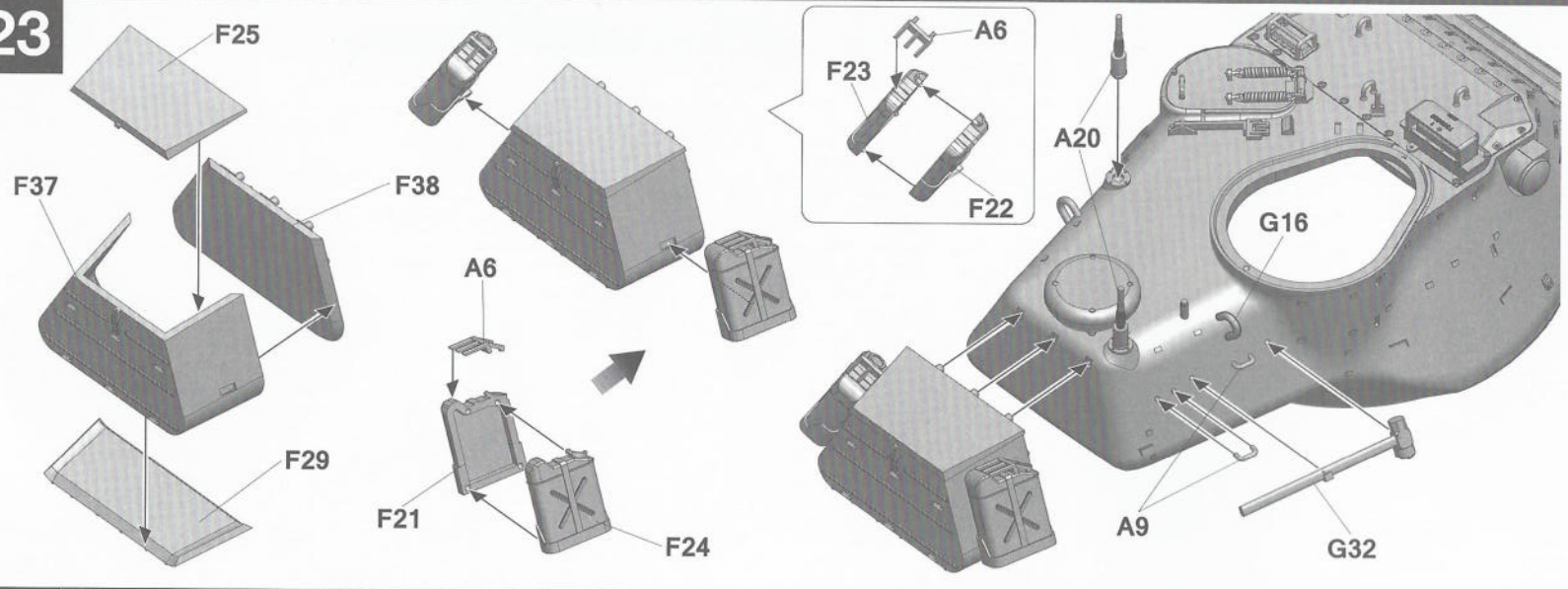
22



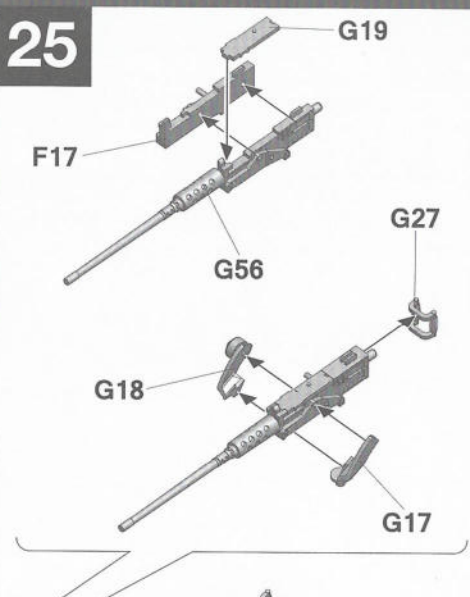
21



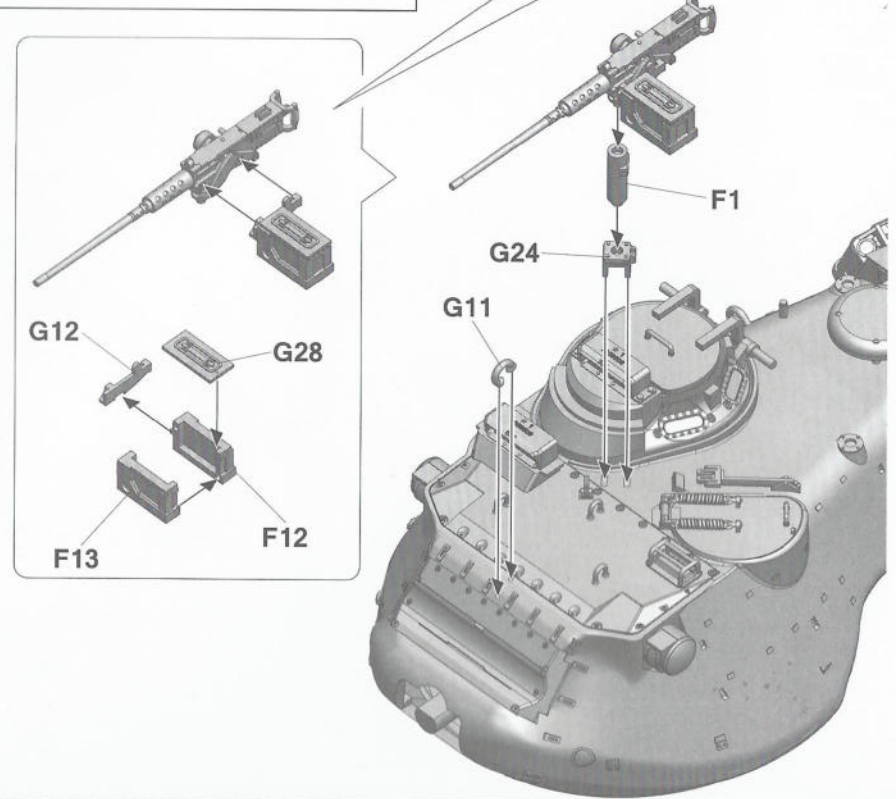
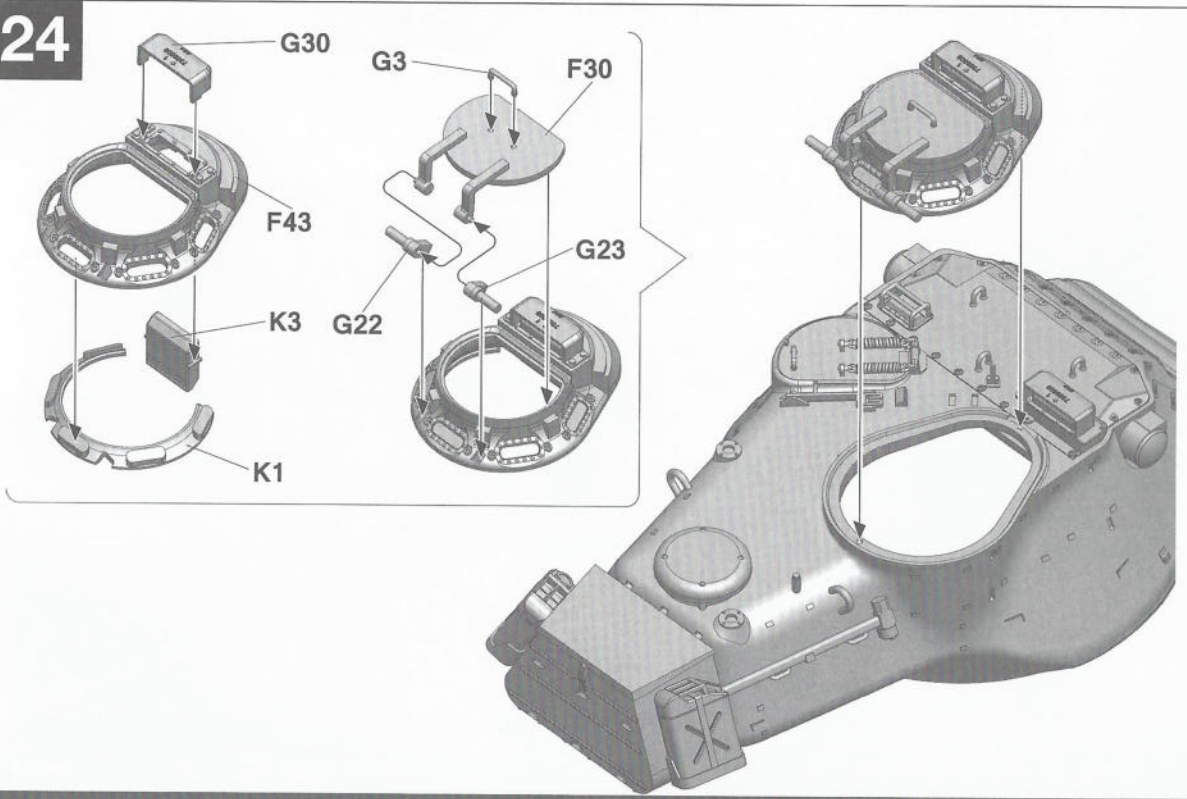
23



25

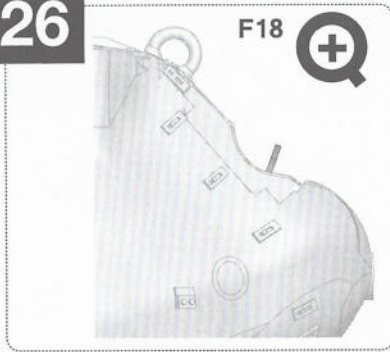


24



26

F18



F18



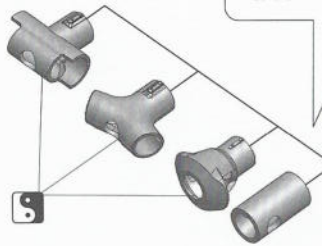
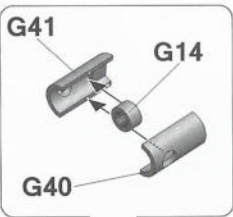
F44

F20

G41

G14

G40



G53

G14

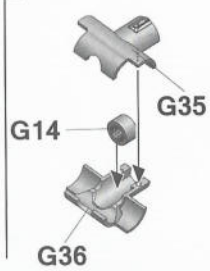
G54



S

G14

G36

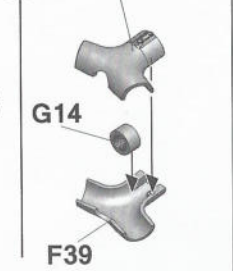


S

F40

G14

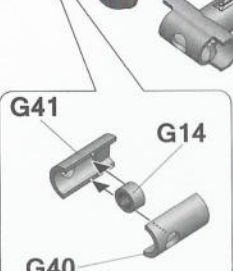
F39



G41

G14

G40



27

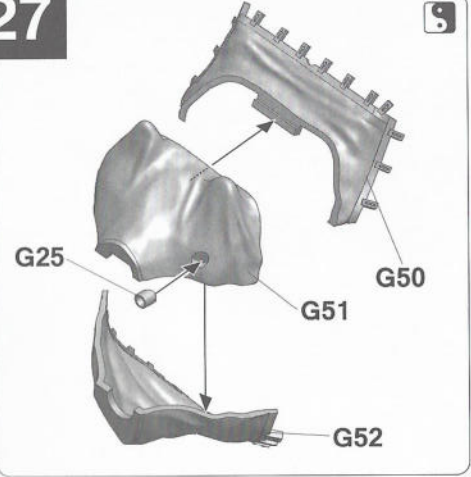
S

G25

G51

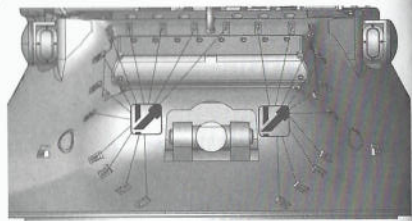
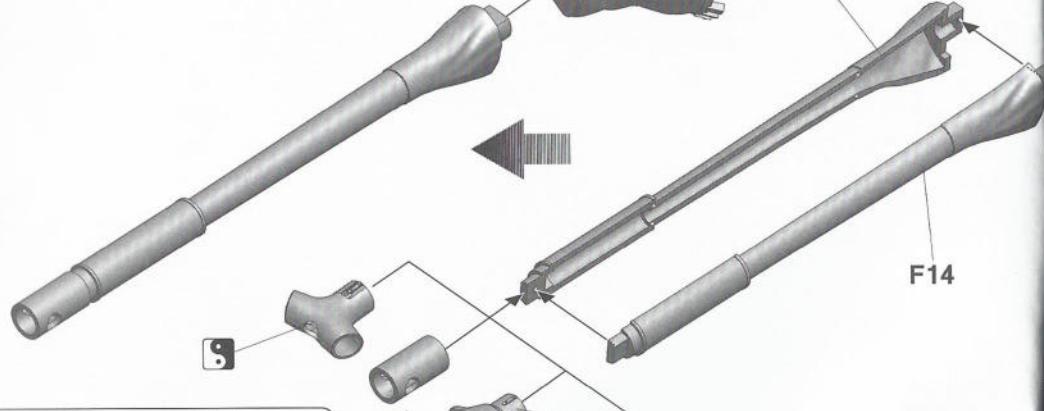
G50

G52

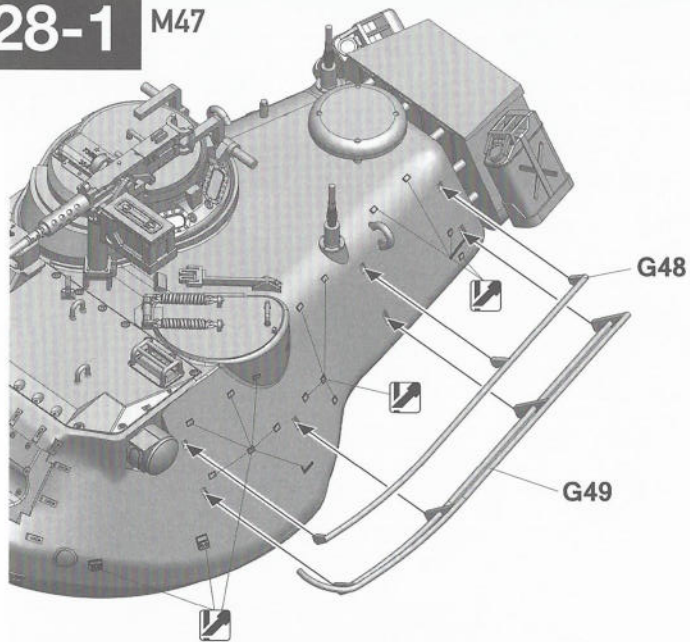


F16

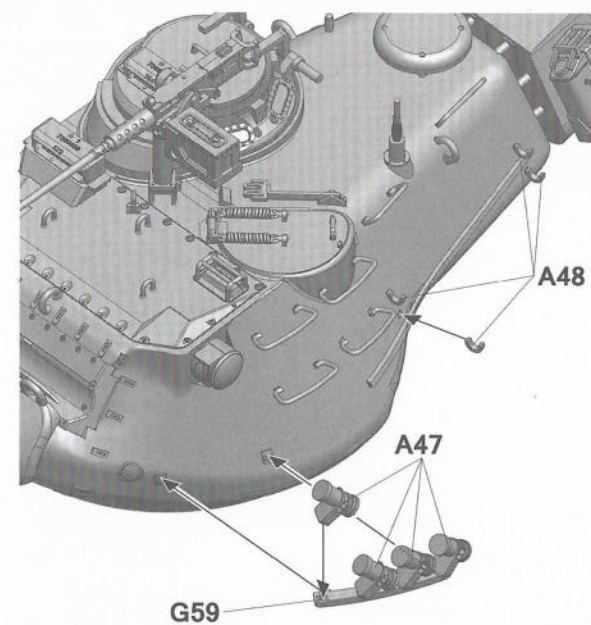
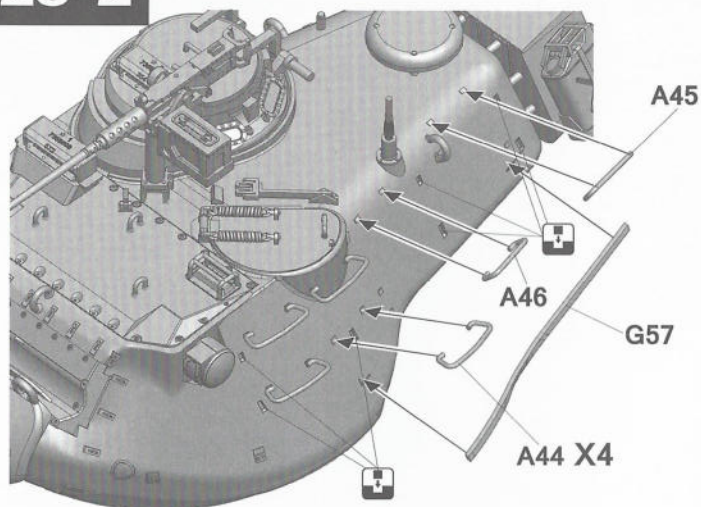
F14



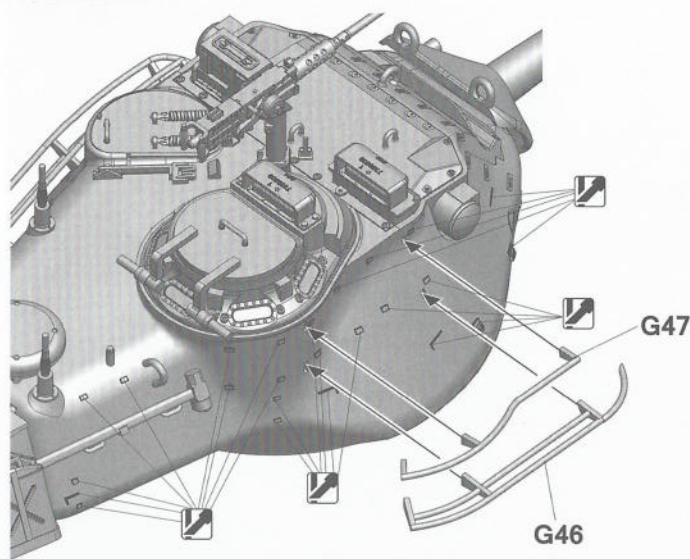
28-1 M47



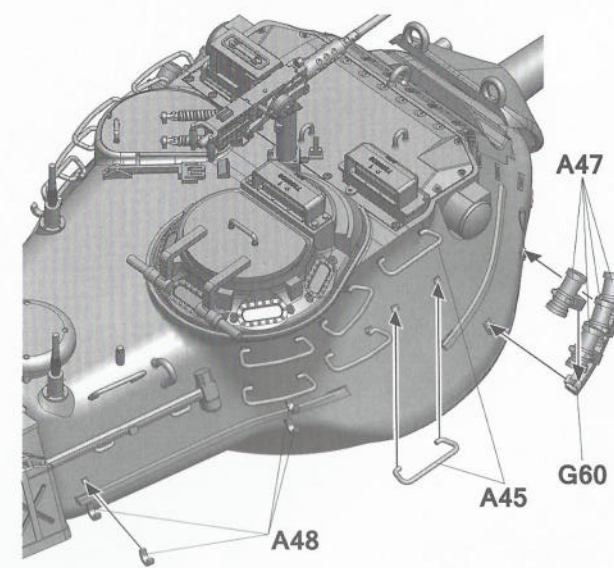
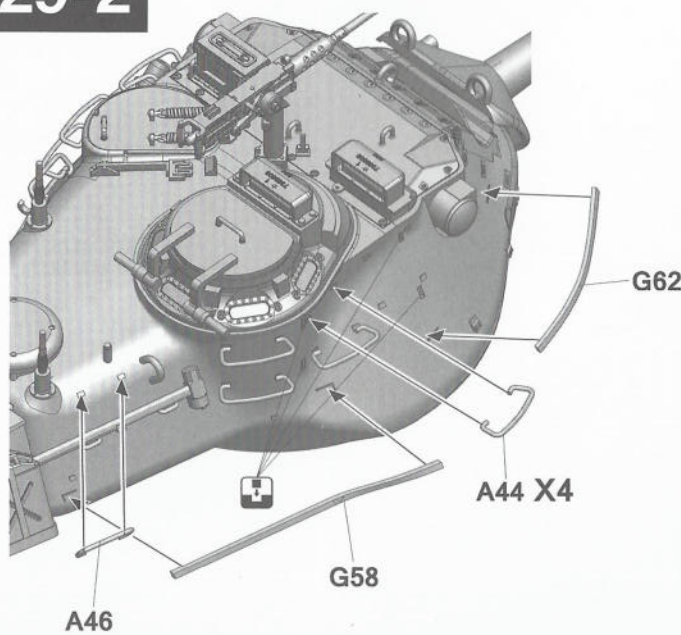
28-2 M47 G



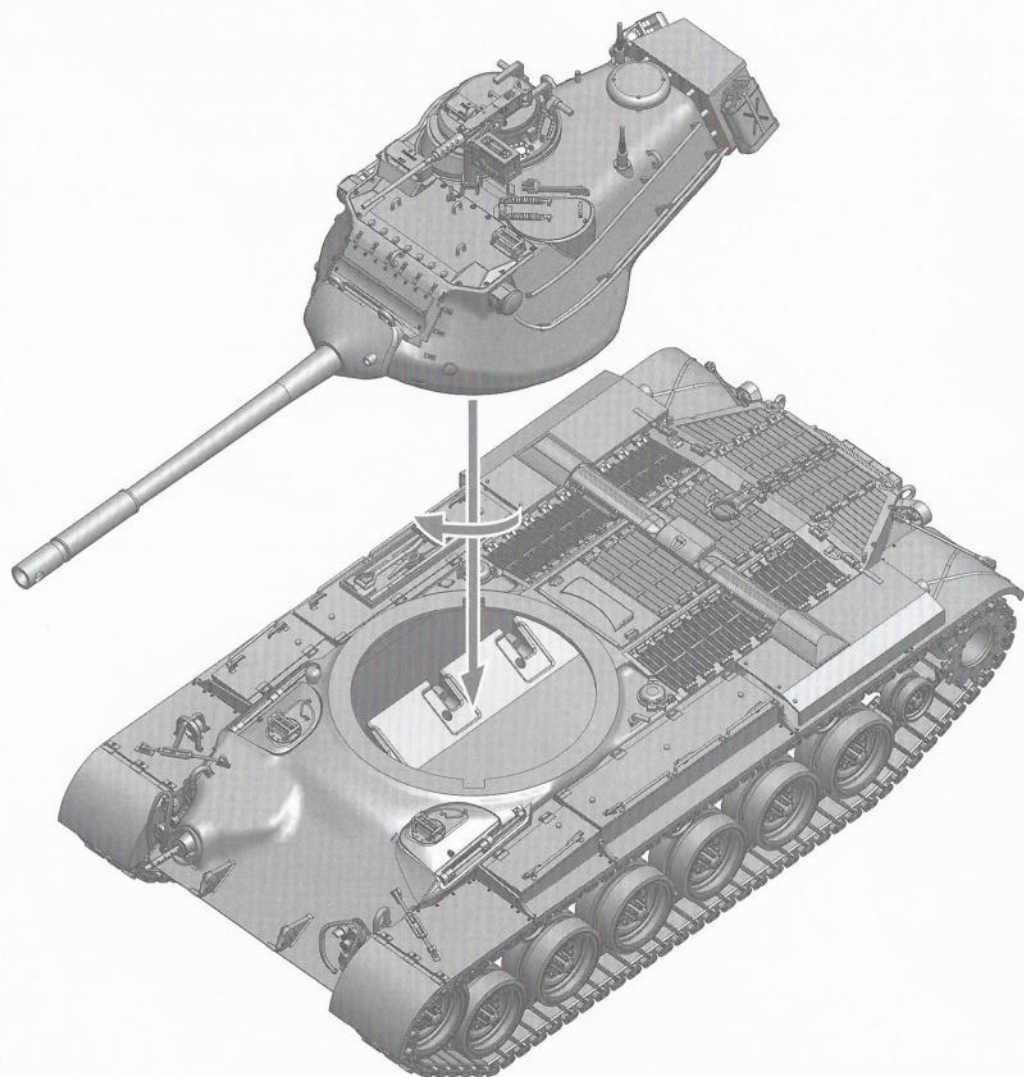
29-1



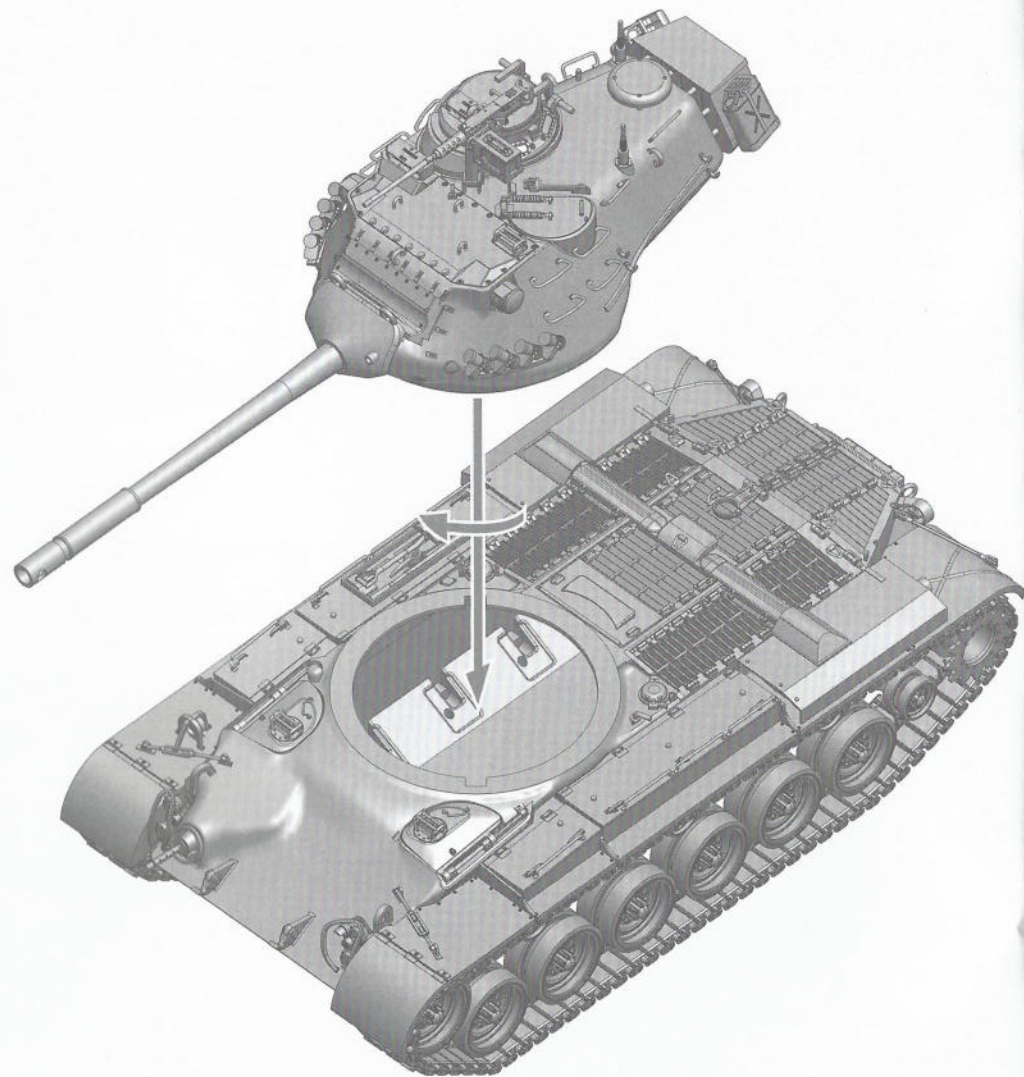
29-2



30-1



30-2



M47 PATTON

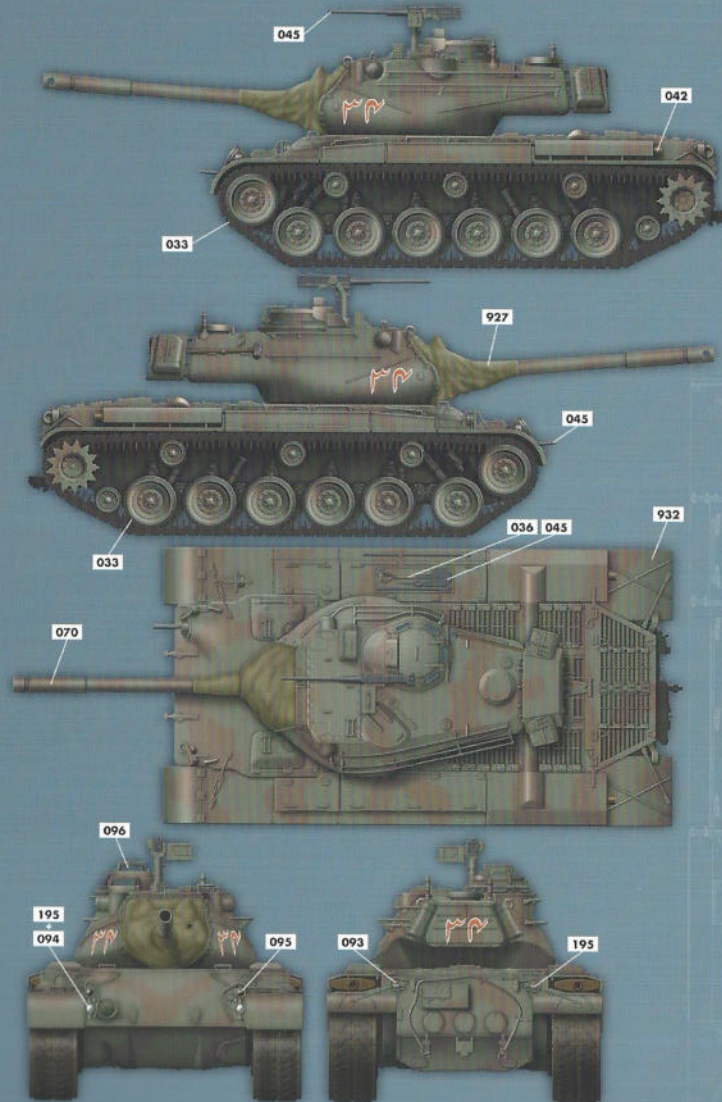
Color info and profiles by



Painting and Marking Guide

A.MIG 033	Rubber & Tires	A.MIG 036	Old Wood	A.MIG 042	Old Rust	A.MIG 045	Gun Metal
A.MIG 093	Crystal Red	A.MIG 094	Crystal Glass	A.MIG 095	Crystal Smoke	A.MIG 096	Crystal Periscope Green
A.MIG 195	Silver	A.MIG 927	Olive Drab Light Base	A.MIG 070	Medium Brown	A.MIG 932	Russian Base

Battle of Assal Uttar on September 10th, 1965
(Indo-Pakistani War)



TAKOM M47 Patton Ref: 2070

C

M47 PATTON

Color info and profiles by



Painting and Marking Guide

A.MIG 033	Rubber & Tires	A.MIG 036	Old Wood	A.MIG 042	Old Rust	A.MIG 045	Gun Metal
A.MIG 093	Crystal Red	A.MIG 094	Crystal Glass	A.MIG 095	Crystal Smoke	A.MIG 096	Crystal Periscope Green
A.MIG 195	Silver	A.MIG 927	Olive Drab Light Base	A.MIG 029	Desert Sand	A.MIG 046	Matt Black
				A.MIG 047	Satin White	A.MIG 084	NATO Green

M-47 South Korean Army, M47, 1980s.



TAKOM M47 Patton Ref: 2070

D

M47 PATTON

Color info and profiles by



Painting and Marking Guide

- A.MIG 033 Rubber & Tires
- A.MIG 036 Old Wood
- A.MIG 042 Old Rust
- A.MIG 045 Gun Metal
- A.MIG 093 Crystal Red
- A.MIG 094 Crystal Glass
- A.MIG 095 Crystal Smoke
- A.MIG 096 Crystal Periscope Green
- A.MIG 193 Silver
- A.MIG 927 Olive Drab Light Base
- A.MIG 029 Desert Sand
- A.MIG 052 Deep Green

M-47 Jordanian Army, (6-Days War, 1967).



M47 PATTON

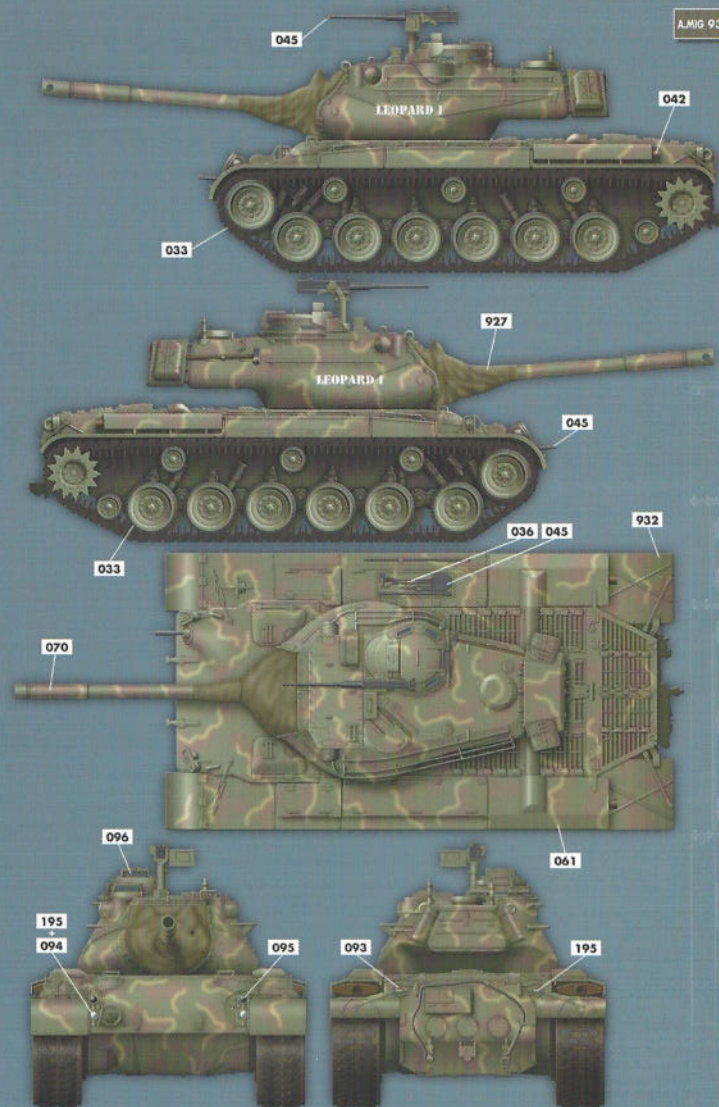
Color info and profiles by



Painting and Marking Guide

- A.MIG 033 Rubber & Tires
- A.MIG 036 Old Wood
- A.MIG 042 Old Rust
- A.MIG 045 Gun Metal
- A.MIG 093 Crystal Red
- A.MIG 094 Crystal Glass
- A.MIG 095 Crystal Smoke
- A.MIG 096 Crystal Periscope Green
- A.MIG 193 Silver
- A.MIG 927 Olive Drab Light Base
- A.MIG 061 Warm Sand Yellow
- A.MIG 070 Medium Brown
- A.MIG 932 Russian Base

M-47 Croatia, Bosnia Herzegovina 1993.



AMX-13/75

2 In 1

A DETAILED STATIC DISPLAY PLASTIC MODEL
A PE & CLEAR PARTS INCLUDED
INDIVIDUAL TRACKS
3 TYPES OF MARKINGS
THE GUN CAN FITCH
ALL HATCHES CAN BE BUILT IN OPEN OR CLOSED POSITION

I.D.F.
LIGHT
TANK

1/35
No.2036



AMX-13/90

A DETAILED STATIC DISPLAY PLASTIC MODEL
A PE & CLEAR PARTS INCLUDED
INDIVIDUAL TRACKS
3 TYPES OF MARKINGS
THE GUN CAN FITCH
ALL HATCHES CAN BE BUILT IN OPEN OR CLOSED POSITION

FRENCH
LIGHT
TANK

1/35
No.2037



AMX-13/75 w/SS-11 ATGM

2 In 1

A DETAILED STATIC DISPLAY PLASTIC MODEL
A PE & CLEAR PARTS INCLUDED
INDIVIDUAL TRACKS
3 TYPES OF MARKINGS
THE GUN CAN FITCH
ALL HATCHES CAN BE BUILT IN OPEN OR CLOSED POSITION

FRENCH
LIGHT
TANK

1/35
No.2038



AMX-13/105



Dutch Army Version
Included

1/35
No.2062

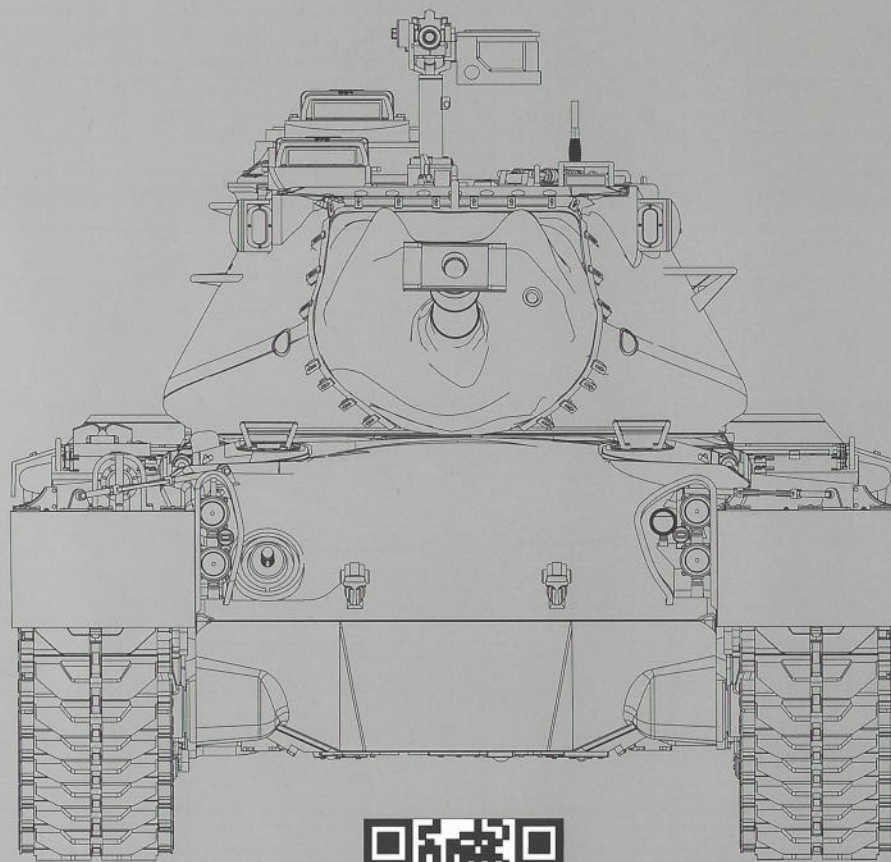
2 In 1

A DETAILED STATIC DISPLAY PLASTIC MODEL
A PE & CLEAR PARTS INCLUDED
INDIVIDUAL TRACKS
3 TYPES OF MARKINGS
THE GUN CAN FITCH
DETAILED RUBBER GUN MANTLET DUST COVER
ALL HATCHES CAN BE BUILT IN OPEN OR CLOSED POSITION

FRENCH
LIGHT
TANK



2017/2070



 You can find TAKOM on Facebook.com