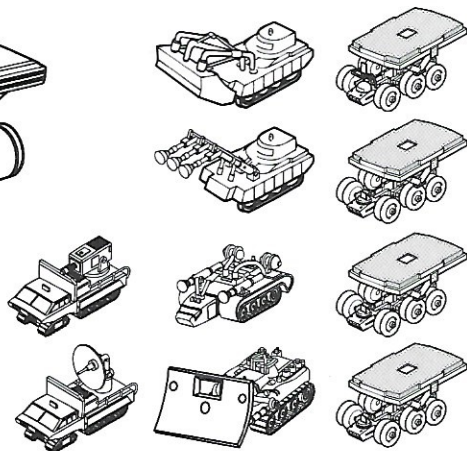
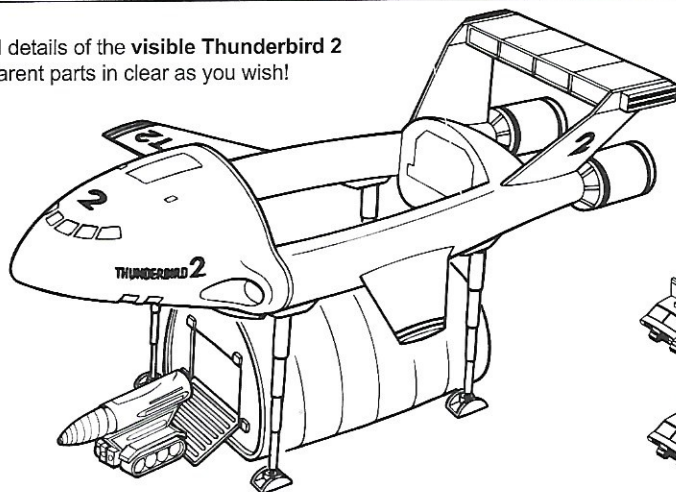


AiP10010

1/350 SCALE TRANSPARENT THUNDERBIRD 2 WITH 2 PODS AND ASSORTED RESCUE VEHICLES

A GERRY ANDERSON PRODUCTION
THUNDERBIRDS™

To display the internal details of the **visible Thunderbird 2** leave as many transparent parts in clear as you wish!



Paint colour references:

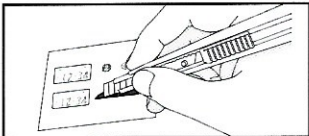
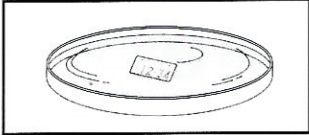
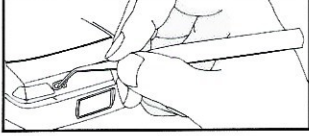
We recommend using the following Humbrol paint colours:
(Paints not included)

- | | |
|------------------------------|----------------------------------|
| 11 SILVER | 96 MATT RAF BLUE |
| 16 GOLD | 128 SATIN US COMPASS GREY |
| 21 GLOSS BLACK | 140 MATT GULL GREY |
| 33 MATT BLACK | 154 MATT INSIGNIA YELLOW |
| 53 GUNMETAL | 164 SATIN DARK SEA GREY |
| 60 MATT SCARLET | 27003 POLISHED STEEL |
| 77 MATT NAVY BLUE | |
| 82 MATT ORANGE LINING | |

The original Thunderbirds television series was produced in a time before CGI and computers. Skilled model makers and technicians created several models in varying scales depending on the shot required in the storyline. This coupled with camera lighting from different angles means the various craft do appear to be different colours in certain scenes. The paint codes provided are a basic guide and we would suggest watching the episodes and referring to the box photo for further detailed information.

How to apply decals:

Waterslide decals are supplied with this model kit.
Please follow these instructions when applying.

-  • Cut out the decal to the required shape using scissors or a craft blade.
-  • Dip the decal in water for 10 to 20 seconds.
-  • Place decal in the desired position and slide it gently from the backing sheet using tweezers
• Adjust position if required and dry excess water with a soft cloth.

You will also need: (not included)



Symbol guide:

- Glue here
- - - - - No glue required



ADVENTURES IN PLASTIC
A Bachmann Europe Production

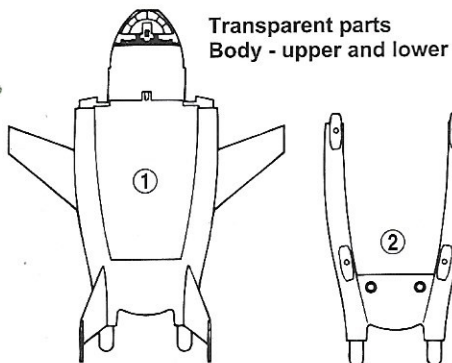
13 Moat Way, Barwell, Leicestershire, LE9 8EY
01455 841756 • www.bachmann-europe.co.uk



Carefully check the contents of the kit, including parts and decals, before assembly.

PARTS LIST

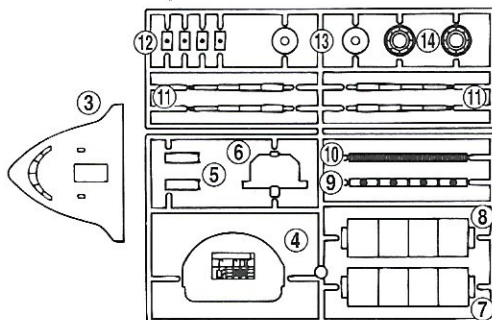
This kit does not include paints or glue. Please purchase them separately.



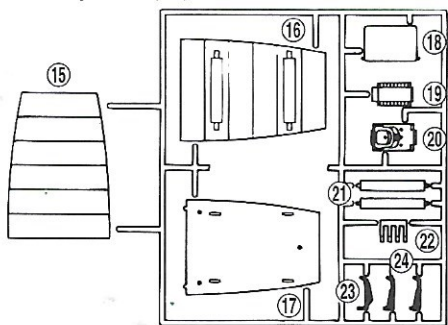
**D window
clear part**



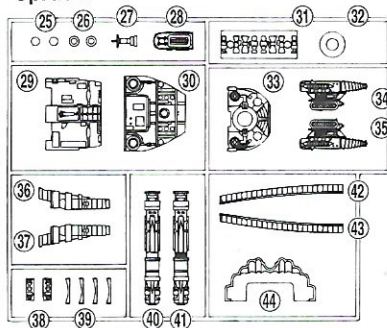
**Transparent parts
Sprue F**



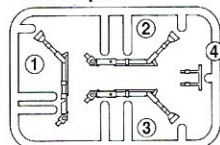
**Transparent parts
Sprue E (x2)**



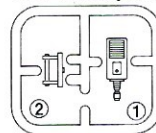
Sprue G



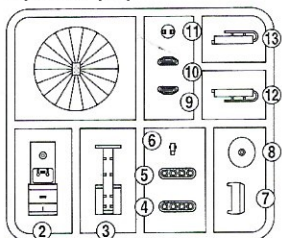
DOMO parts



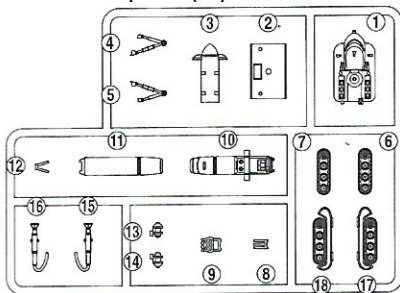
Fire Truck parts



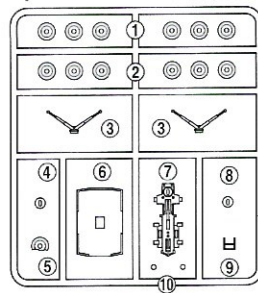
Sprue D (x2)



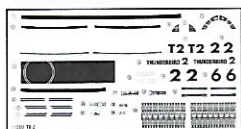
Sprue I (x2)



Sprue I Elevator car (x4)



TB2 decals



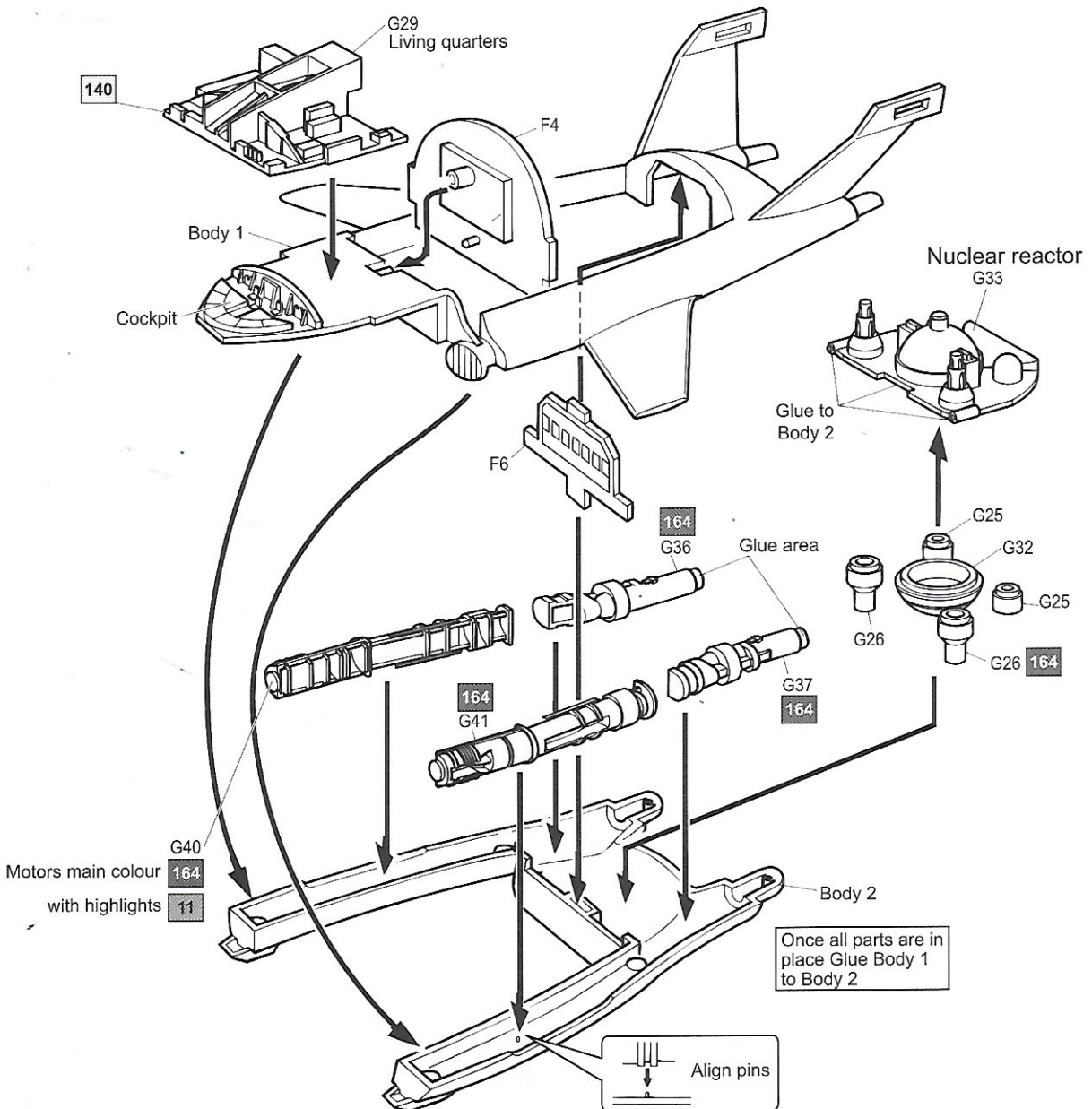
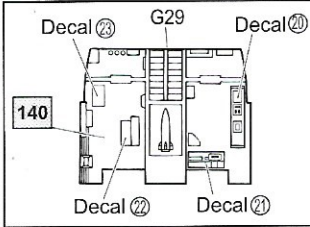
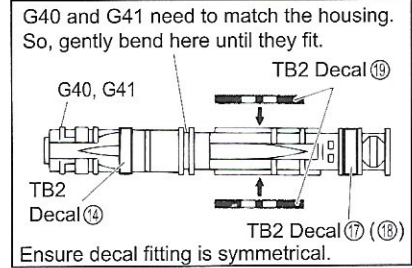
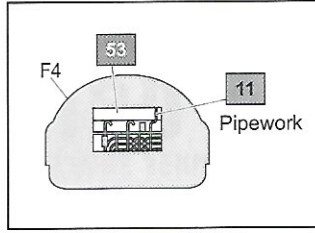
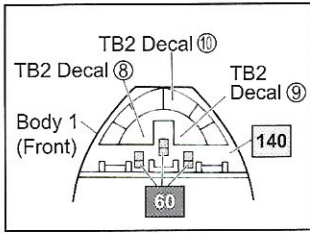
Pod decals



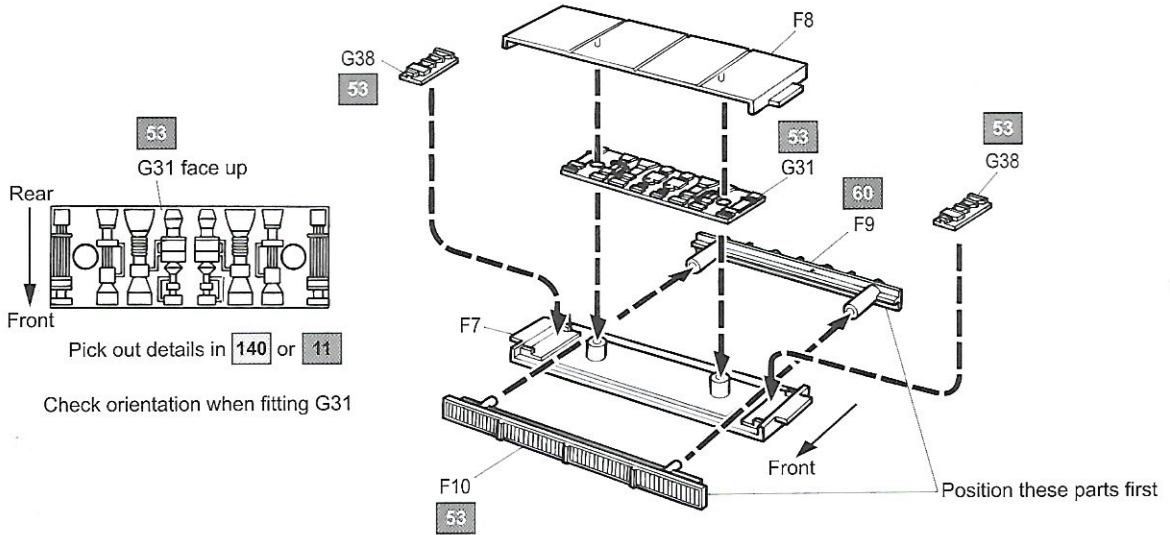
Rescue decals



1 Transparent Thunderbird 2 Body assembly



2 Transparent Thunderbird 2 Rear Engine assembly

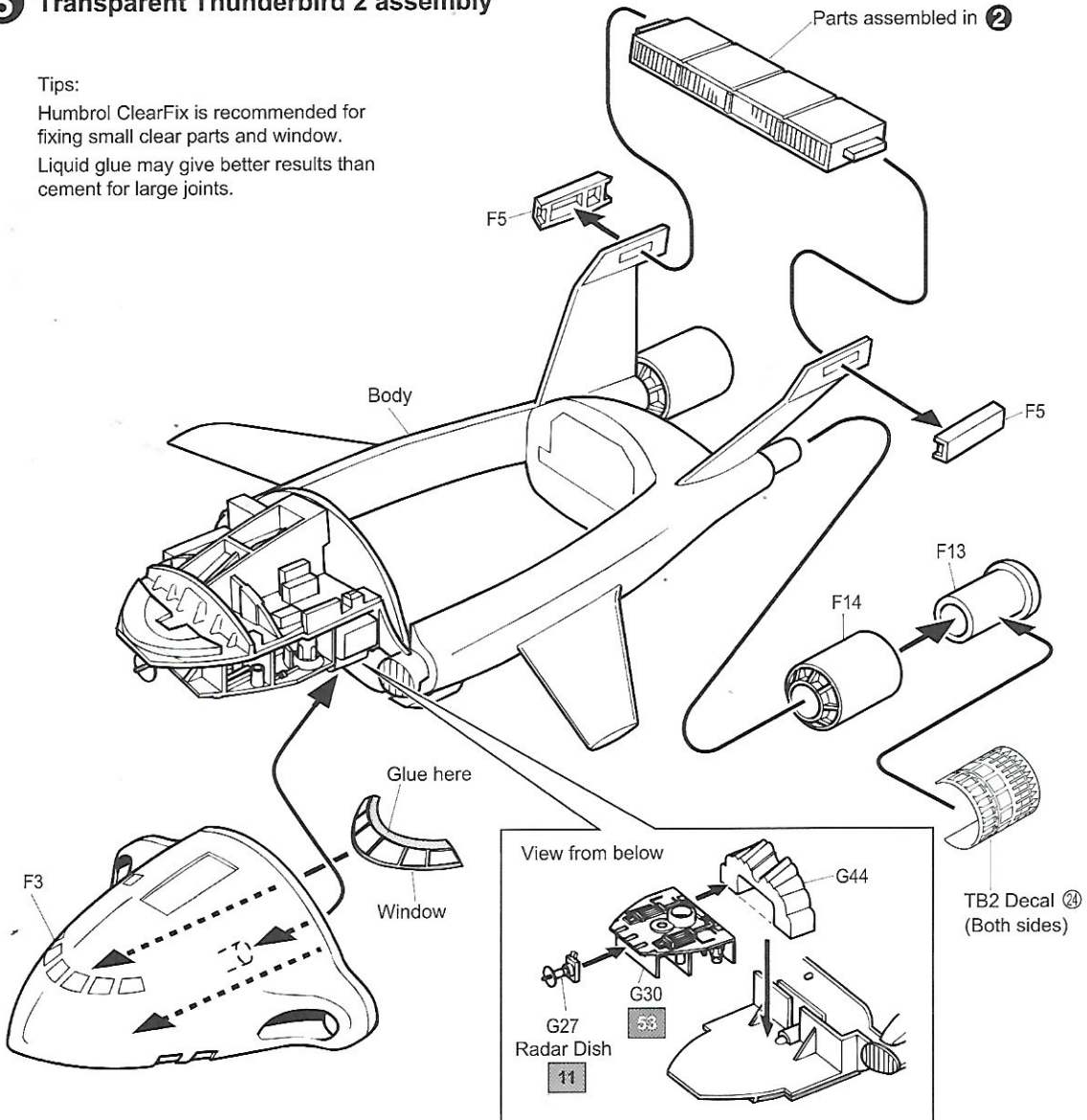


3 Transparent Thunderbird 2 assembly

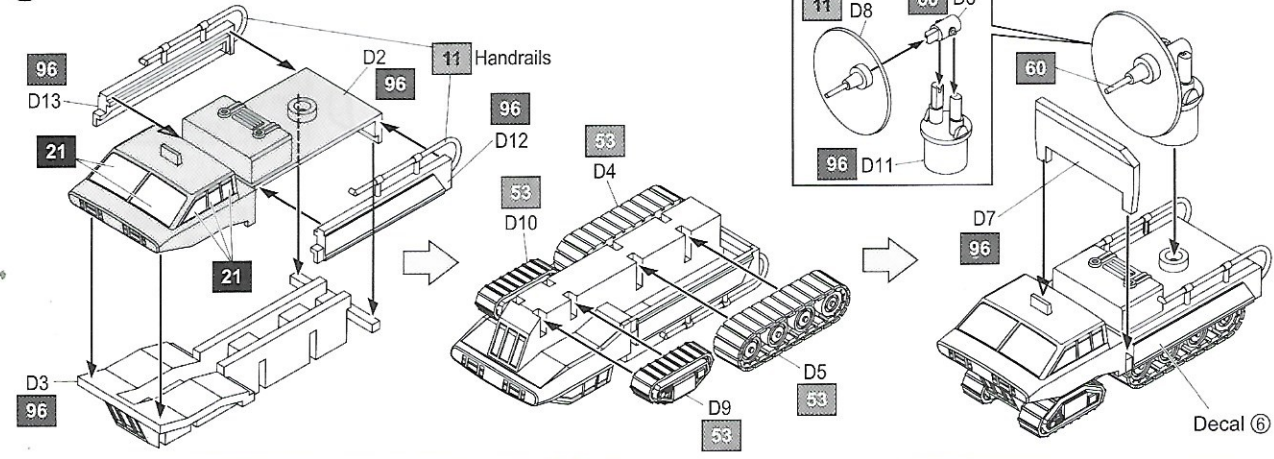
Tips:

Humbrol ClearFix is recommended for fixing small clear parts and window.

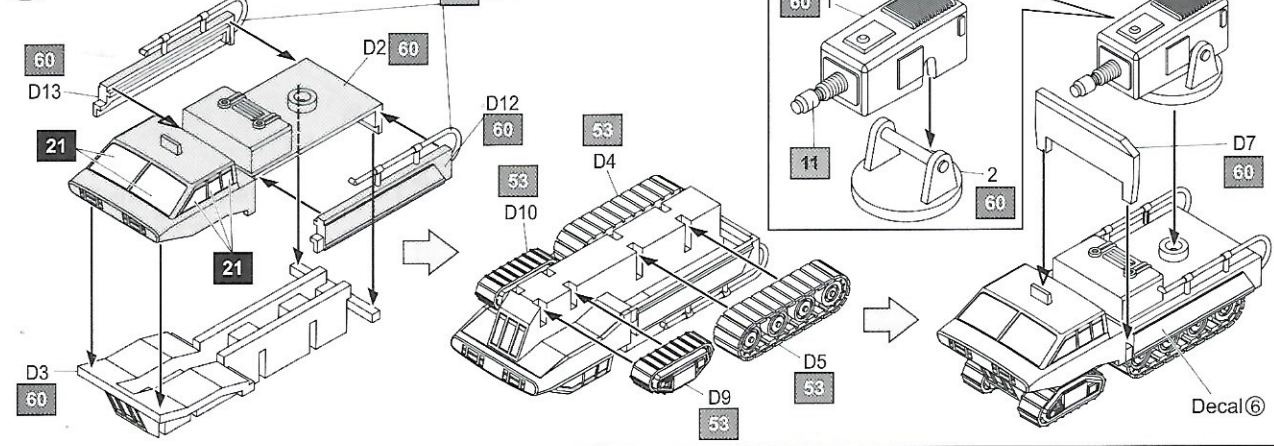
Liquid glue may give better results than cement for large joints.



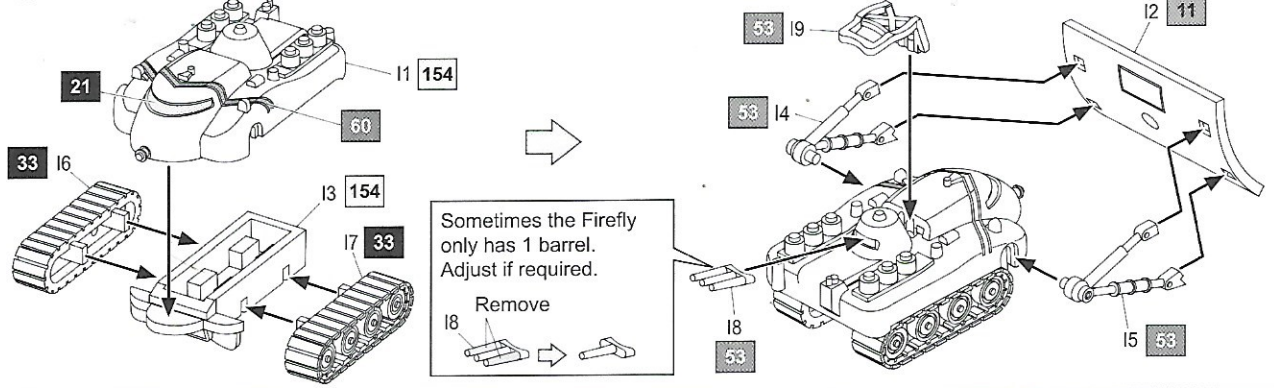
8 Radio Transmitter Truck "Jodrell 6"



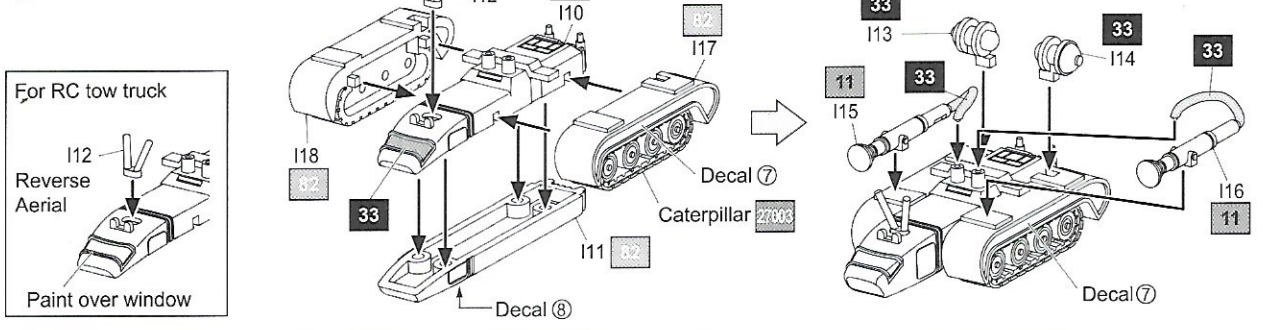
9 Fire Truck



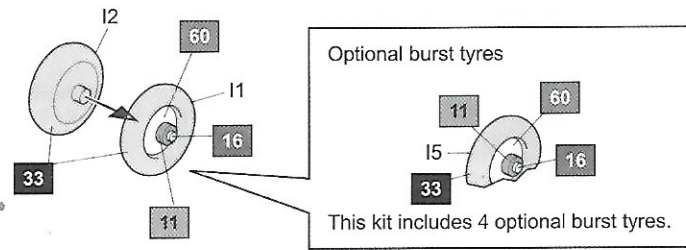
10 Firefly (x2)



11 Magnetic Tow Truck (x2)

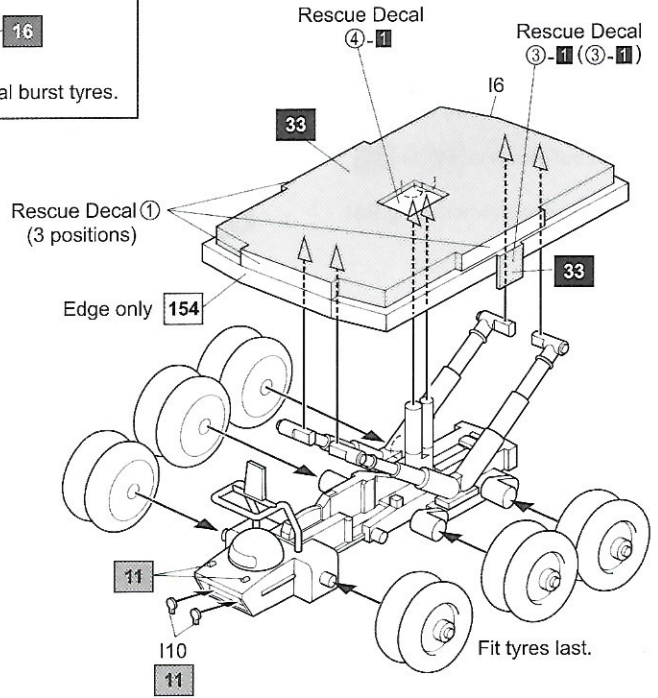
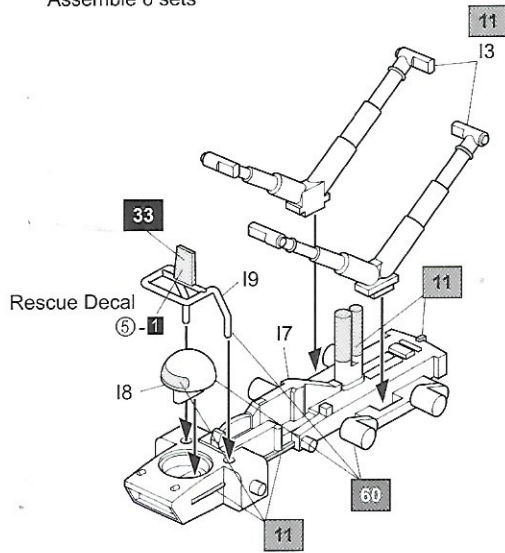


12 Master Elevator Car (assemble x 1)

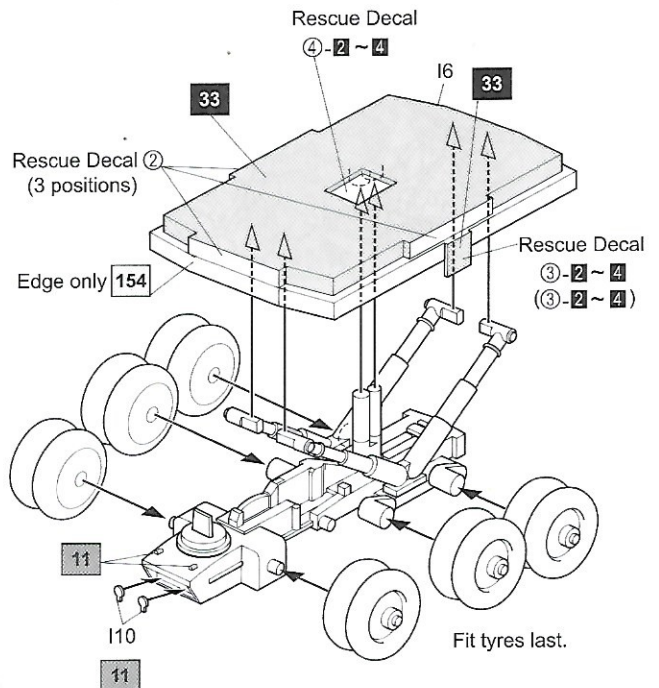
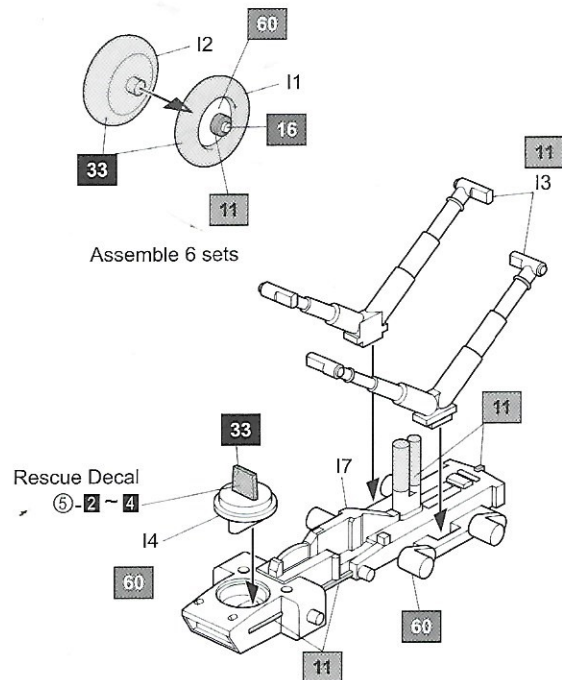


The number in () refers to the opposite side.

Assemble 6 sets

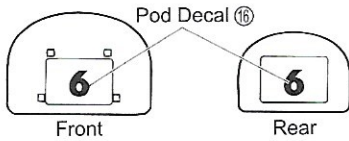
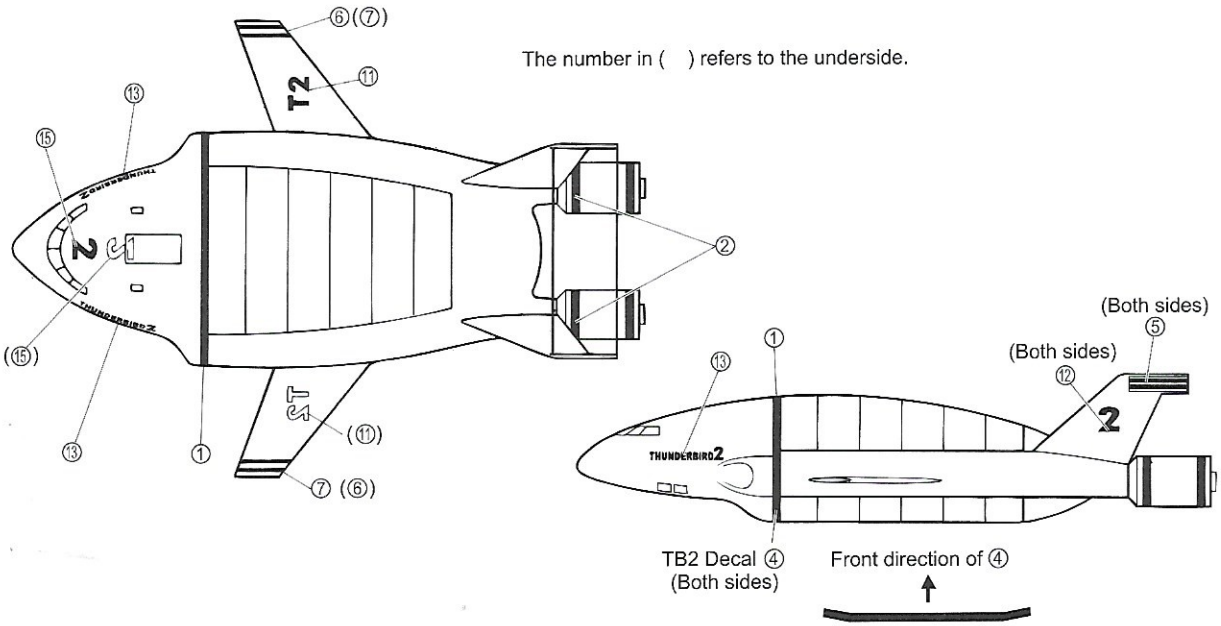


13 Subsidiary Elevator Cars (assemble x 3)



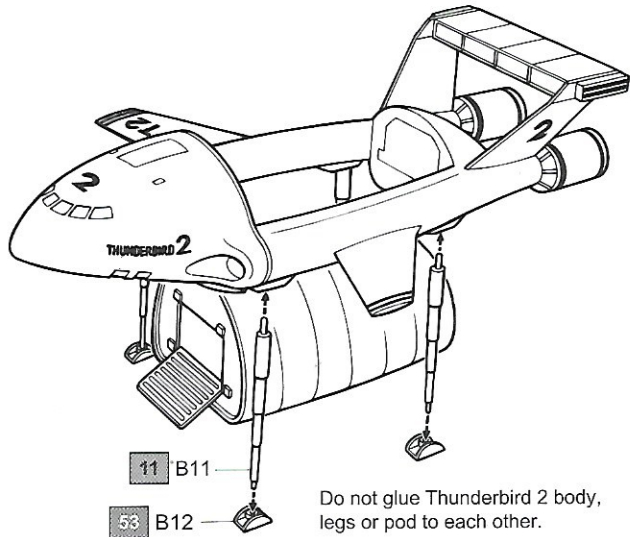
14 Transparent Thunderbird 2 Decal application and final assembly

The number in () refers to the underside.



Select the Pod decal number from:

- | | |
|-------------------|------------|
| Fire Truck | Pod 1 |
| DOMO | Pod 3 |
| Elevator cars | Pod 3 |
| The Mole | Pod 3 or 5 |
| Firefly | Pod 3 or 6 |
| Excavator | Pod 5 |
| Recovery Vehicle | Pod 5 |
| Transmitter Truck | Pod 6 |



5, 4, 3, 2, 1... check out the rest of the range!

www.bachmann.co.uk