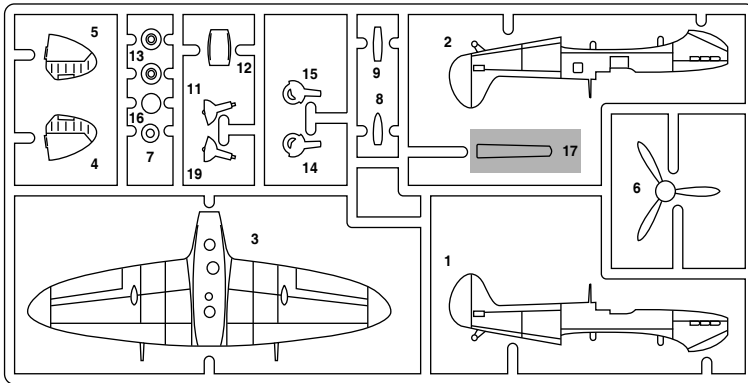


Your MINICRAFT Spitfire may be assembled with various options, with 'in-flight' features (retracted landing gear and 'spinning' propeller). Parts are also provided for a 'stationary' or 'ground' version with extended landing gear. Please review the assembly steps to become familiar with the parts

**PARTS LAYOUT DIAGRAM**



NOTE  
Part 17  
not for use



Cement



Do Not Cement



Optional

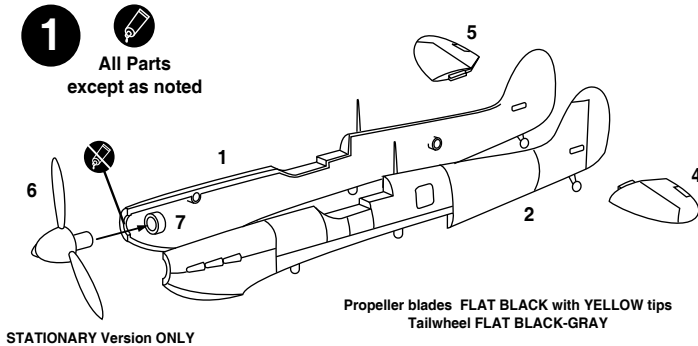


Symmetrical L/R

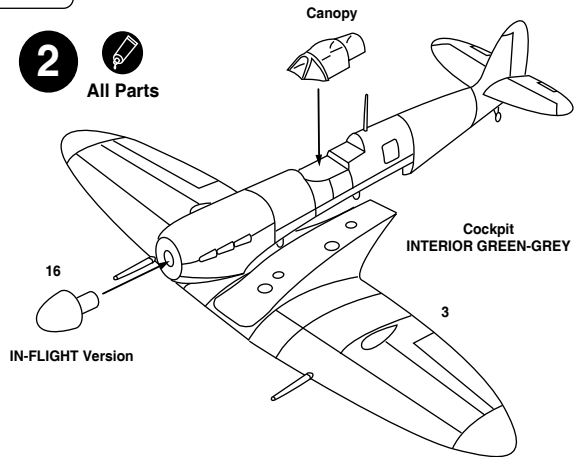


Cut

**1** All Parts  
except as noted

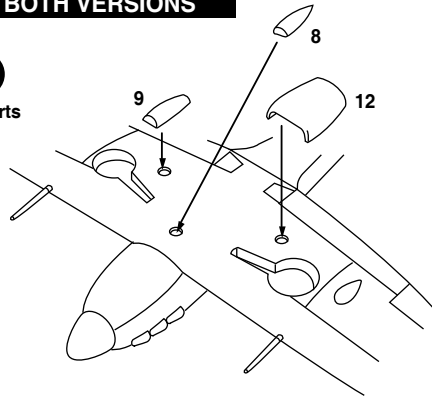


**2** All Parts



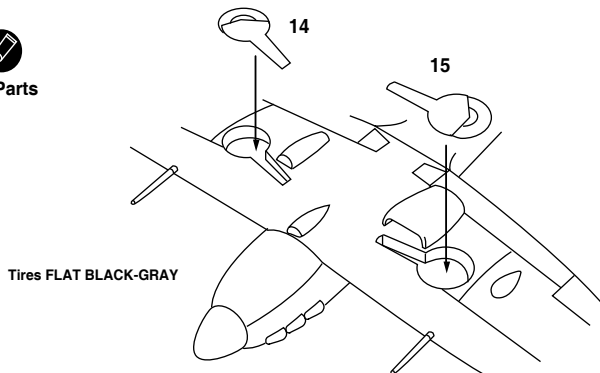
**3** BOTH VERSIONS

All Parts



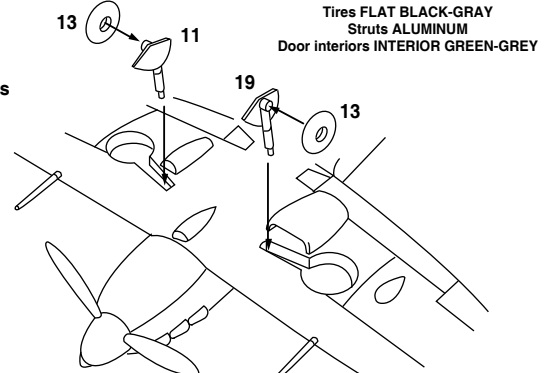
**4** IN-FLIGHT VERSION

All Parts



**5** STATIONARY VERSION

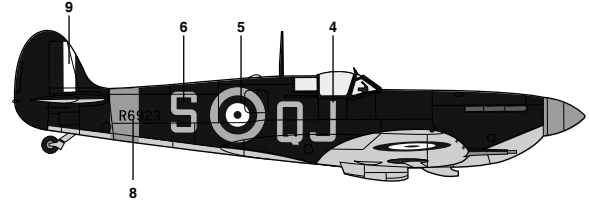
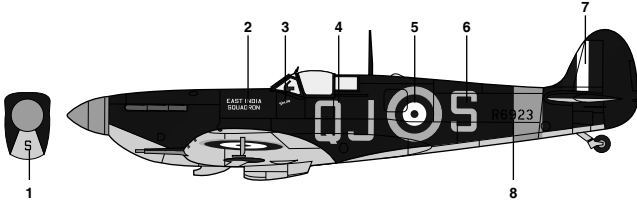
All Parts



# PAINT & DECAL GUIDE

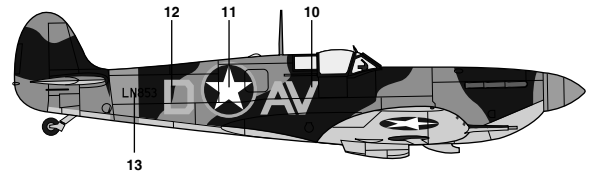
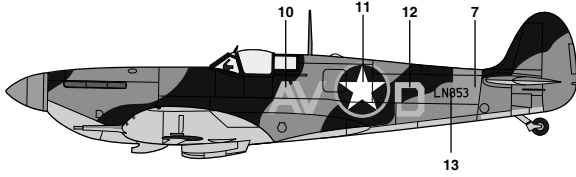
**Aircraft 1** 92 Squadron RAF, Biggin Hill, 1941

Dark Green and Dark Earth uppersurfaces. Sky Grey undersurfaces. Sky spinner and fuselage band.



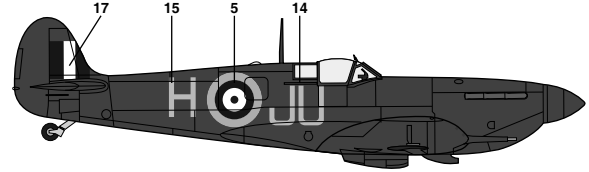
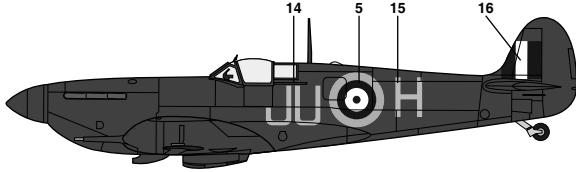
**Aircraft 2** 335th FS, 4th FG, USAAF, Debden 1942

Dark Green and Medium Sea Grey uppersurfaces. Sky Grey undersurfaces. Sky spinner and fuselage band.

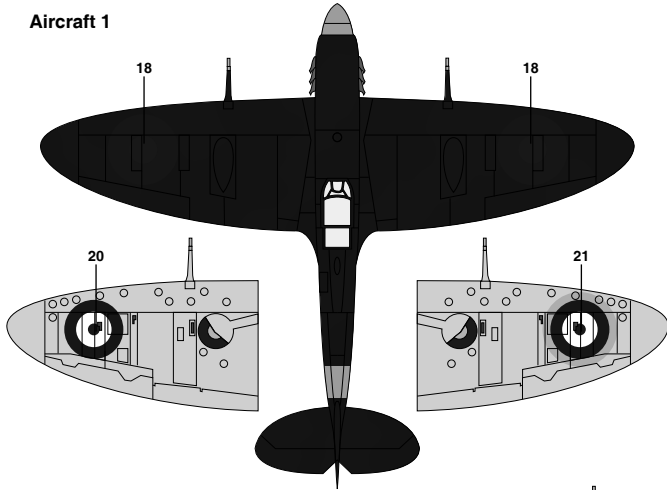


**Aircraft 3** 111 Squadron RAF, Debden, 1941

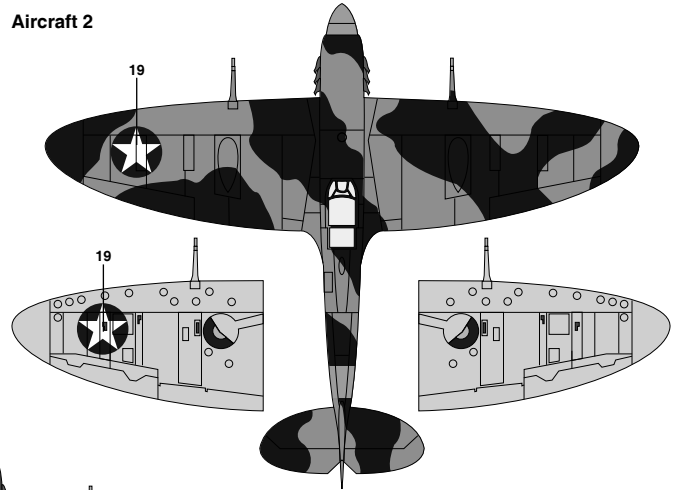
Aircraft is overall Flat Black.



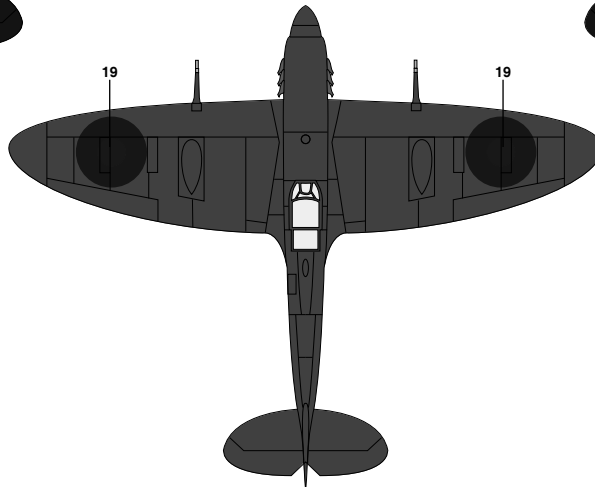
**Aircraft 1**





**Aircraft 2**



**Aircraft 3**



	
Dark Green ~FS 34079	Dark Earth ~FS 30118
	
Medium Sea Grey ~FS 36270	Flat Black
	
Sky Grey ~FS 36463	Sky ~FS 34504