



KITTY
HAWK

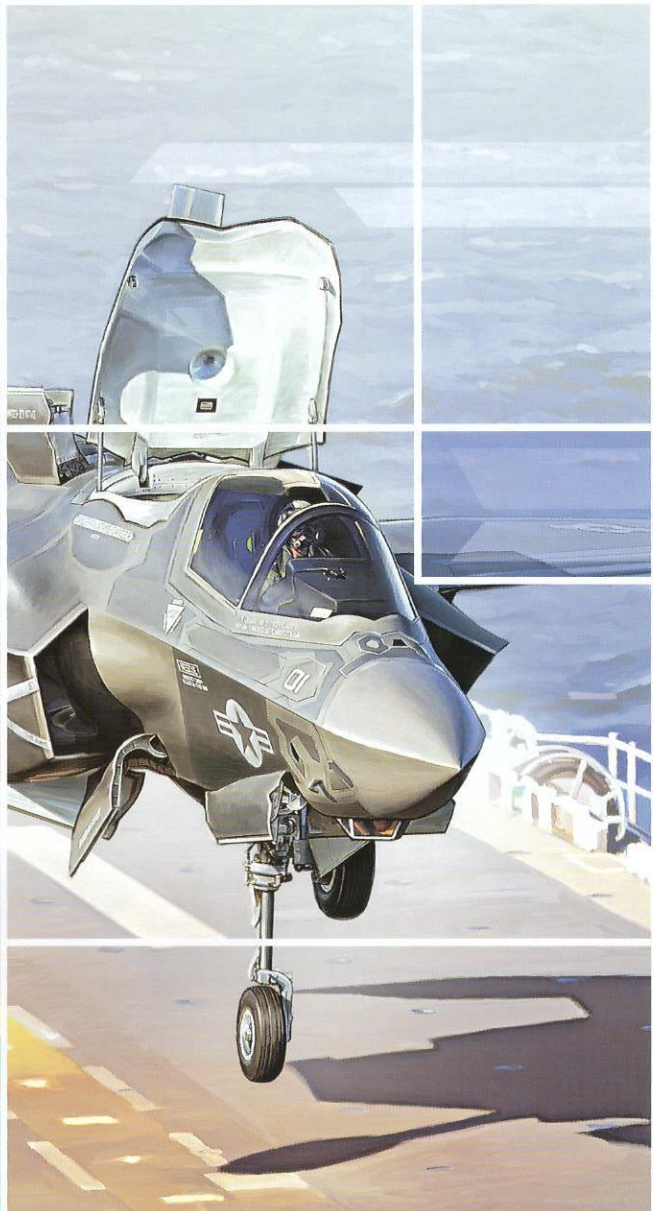
1:48 scale

F-35B "LIGHTNING II"

Version 2.0

拼装說明書

Instruction



Please visit our web site at
www.kittyhawkmodel.com

Instruction

F-35B
"閃電 II" 戰鬥攻擊機

Item No. KH80102

Painting & marking Guide

塗裝與水貼

Illustration by Eric Chan

GUNZE SANGYO Mr. color used

AIM-9X

? 隨愛好選擇
Optional

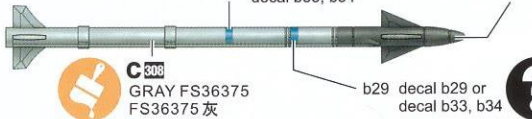
C2 BLACK
黑色

b29 decal b29 or
decal b33, b34

C308 GRAY FS36375
FS36375 灰

b29 decal b29 or
decal b33, b34

? 隨愛好選擇
Optional



GBU-12

C83 OLIVER DRAB
橄欖色

↔ 對側 b21
Opposite

b21

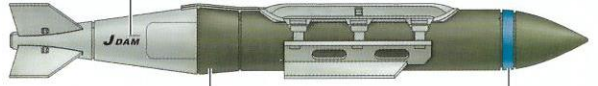
b23



GBU-31

↔ 對側 b7
Opposite

b7



AIM-120

C308 GRAY FS36375
FS36375 灰

b32 decal b32 or decal b31

? 隨愛好選擇
Optional



b32 decal b32 or decal b31

b32 decal b32 or decal b35

C316 WHITE FS 17875
FS 17875 白

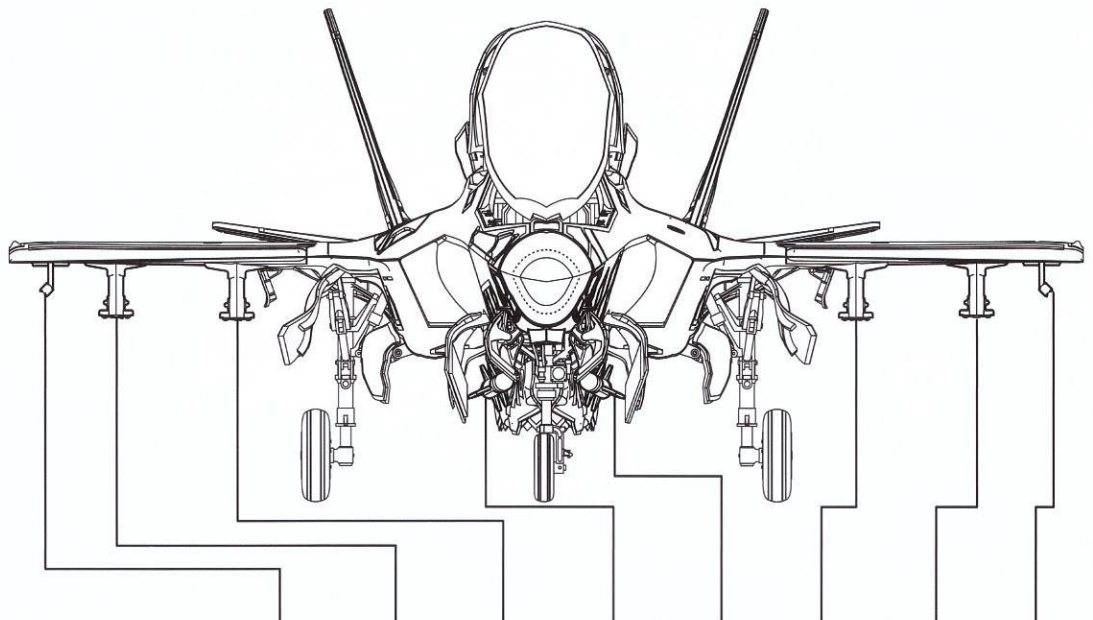
? 隨愛好選擇
Optional

? 隨愛好選擇
Optional

GBU-38

C83 OLIVER DRAB
橄欖色

↔ 對側 b2
Opposite



Sta.No.	1	2	3	4	5	6	7	8
Missile/Tank								
AIM-120				●	●			
AIM-9X	●							●
GBU-38		●					●	
GBU-31			●			●		
GBU-12		●					●	

READ BEFORE ASSEMBLY

在組合您的模型之前，請充分閱讀本冊說明書。組合模型您需要如下物品（需另購）：模型膠水；一把模型鉗或一把用於將零件從框架上切下的模型筆刀。筆刀同樣可以用來修整零件的合模綫。祝您制作愉快！

Before assembling your model kit, read through these instructions carefully. To assemble this kit, you will need Plastic glue (not include). A pair of side cutter or a sharp modelling knife is required for removing parts from the frame. Plastic mould lines can be removed with the modelling knife.



請注意
Special instructions



隨愛好選擇
Optional



組合完成
Finished Assembly



制作兩組
Make Two



配重
Weight



塗色
Painting

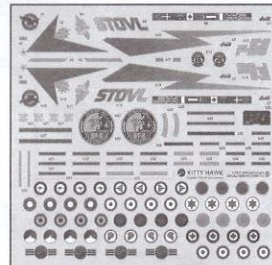
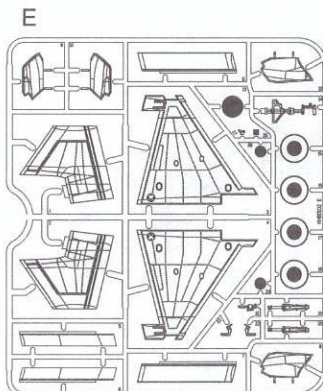
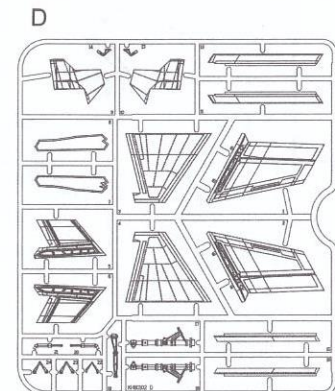
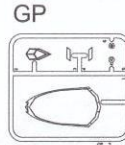
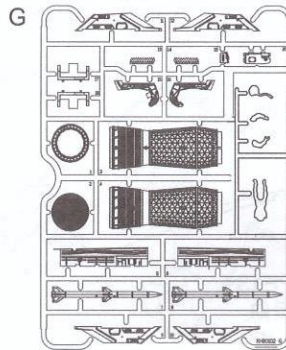
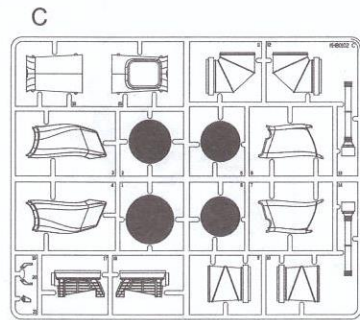
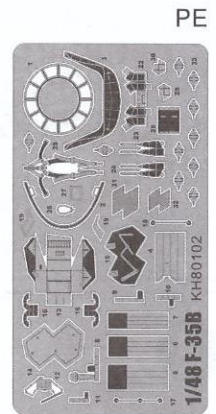
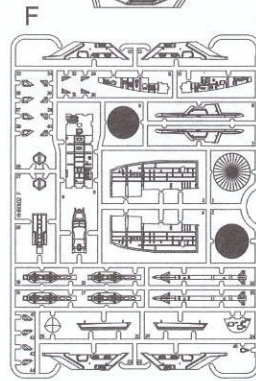
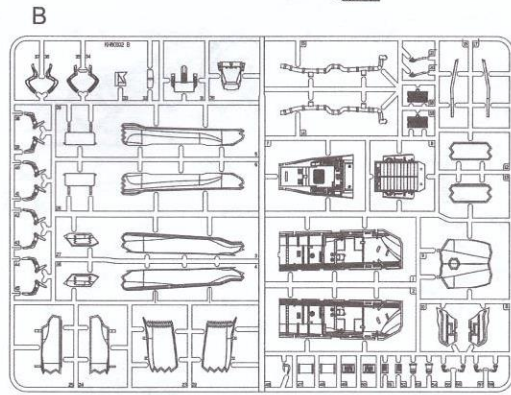
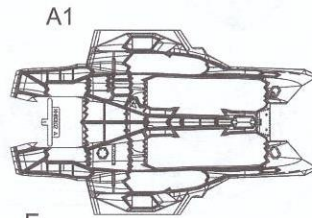
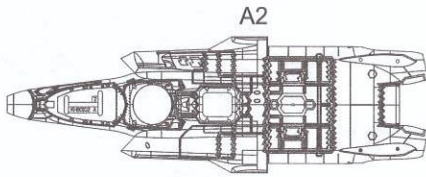


無需膠粘
Do Not Cement

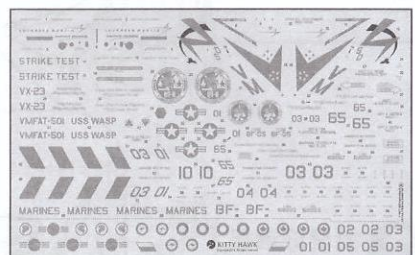


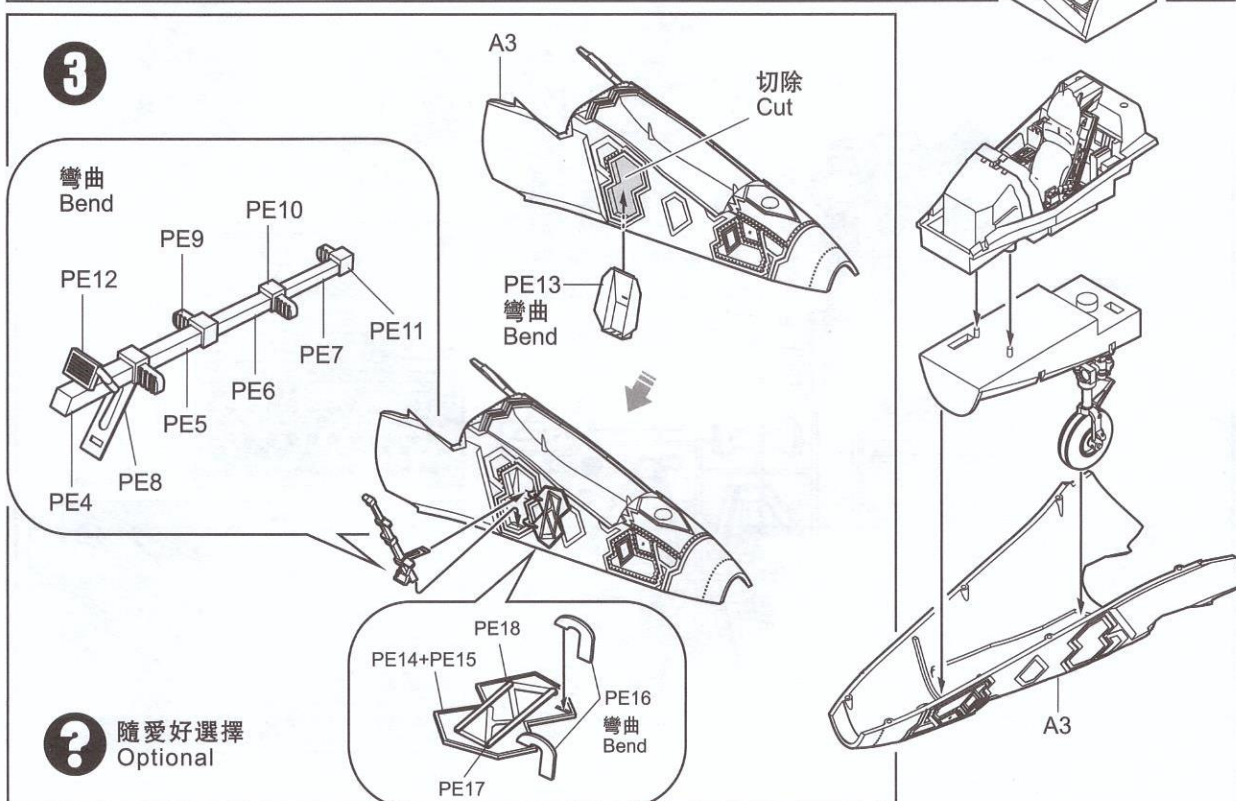
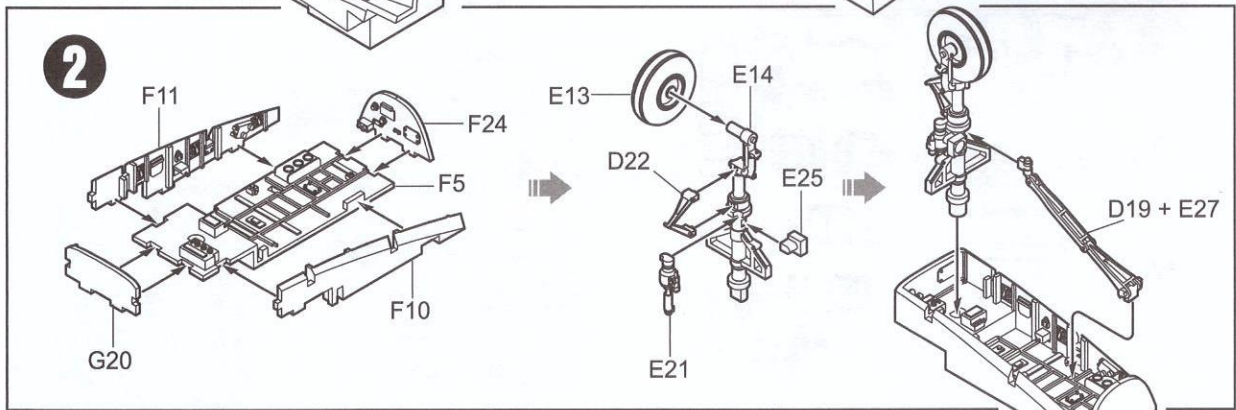
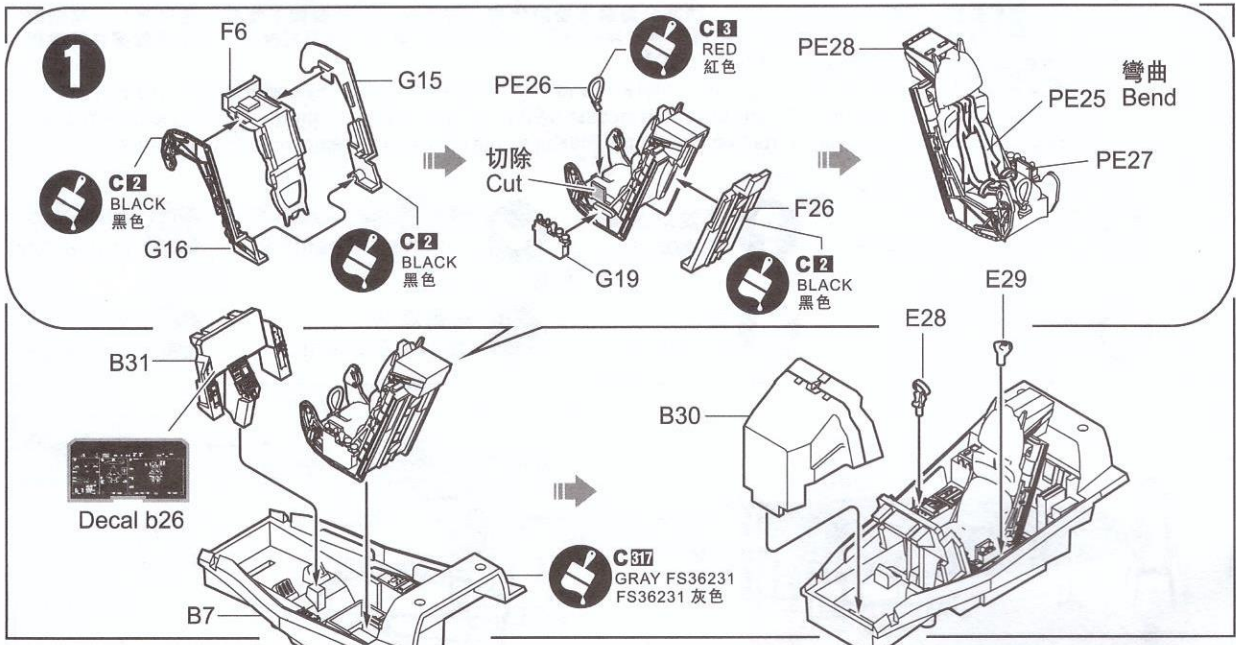
對側
Opposite

部品圖 PARTS

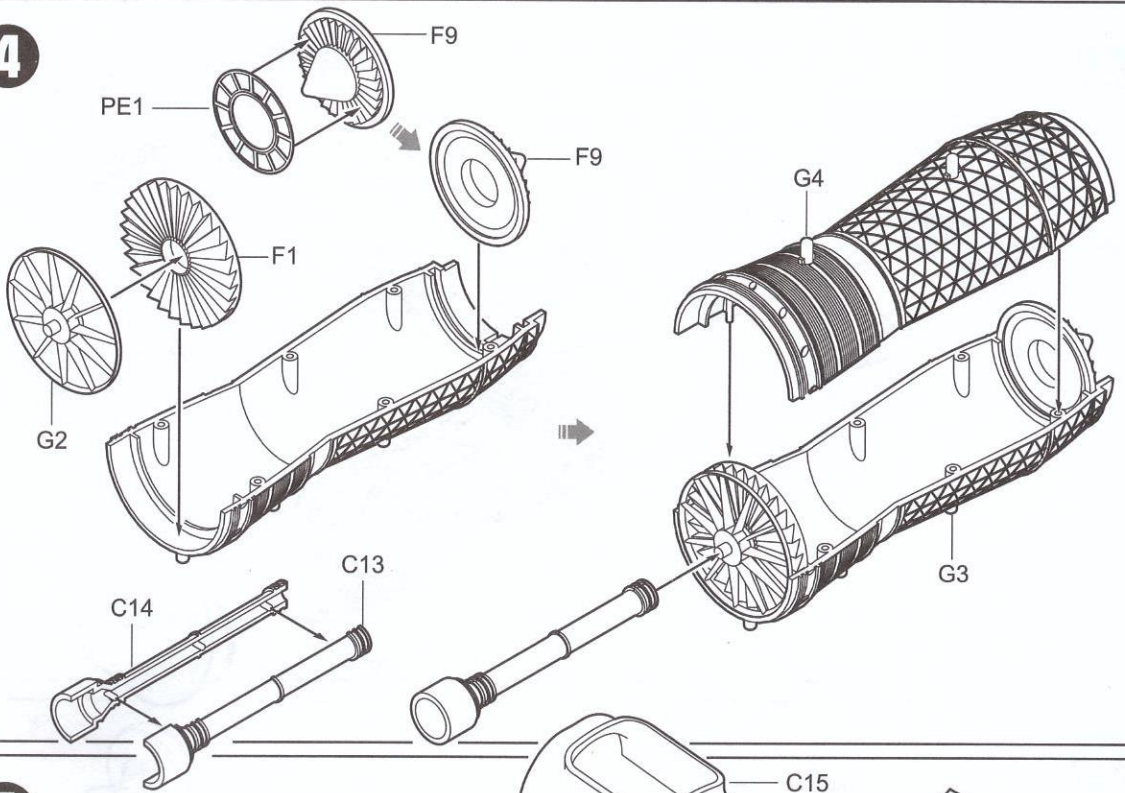


水貼
Decal

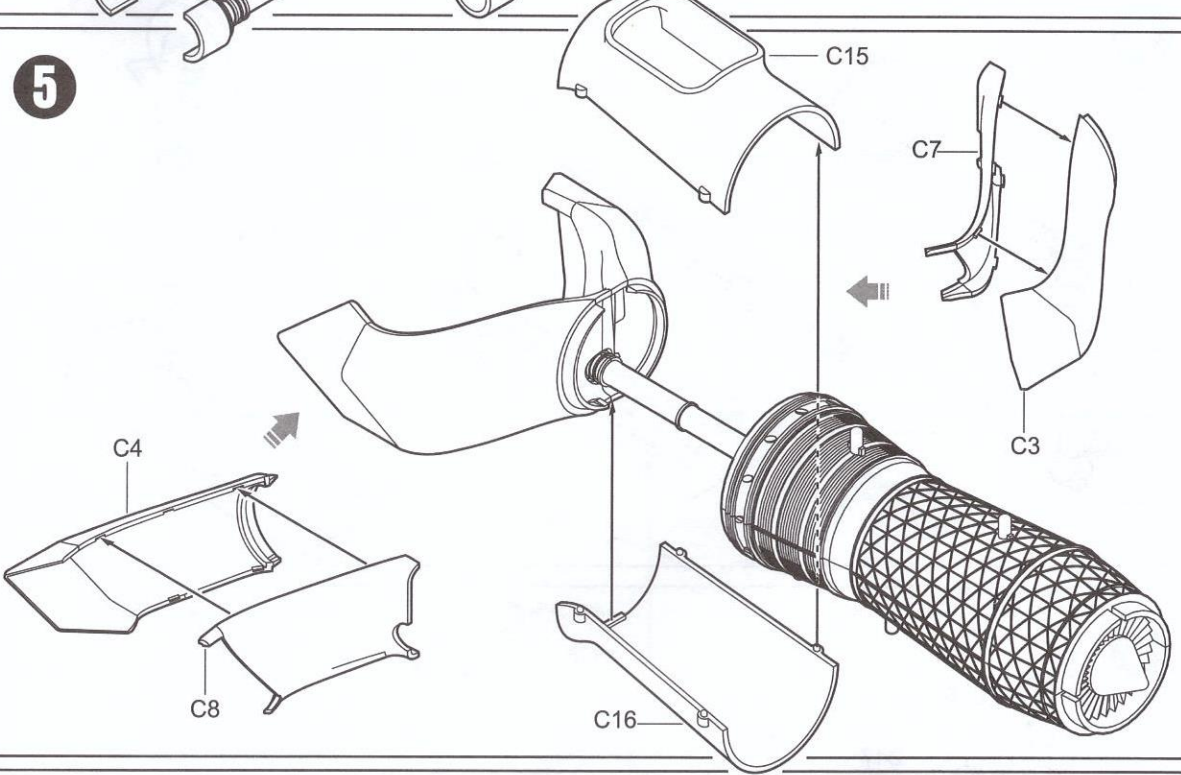




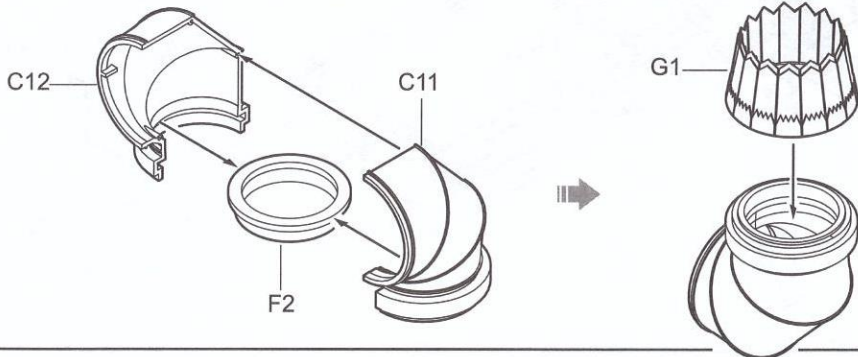
4

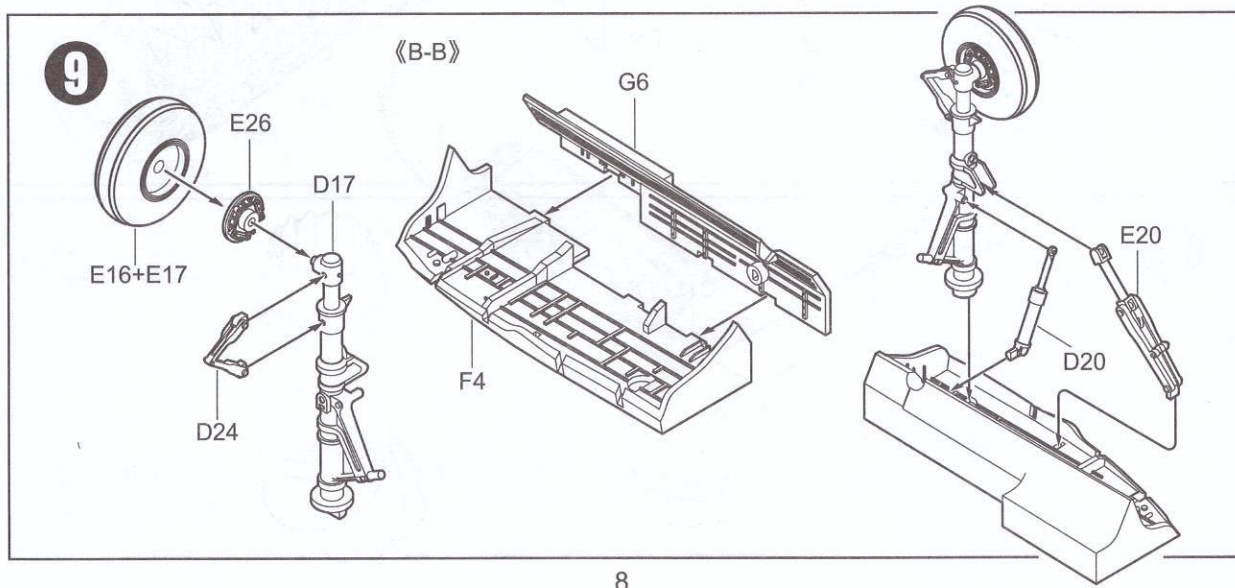
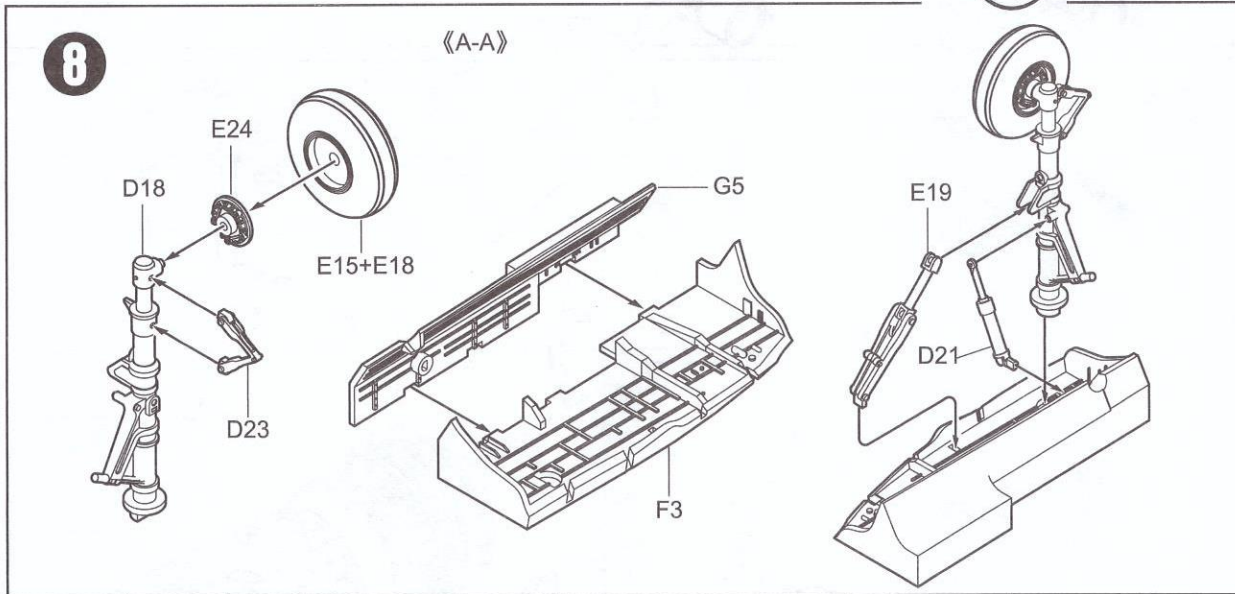
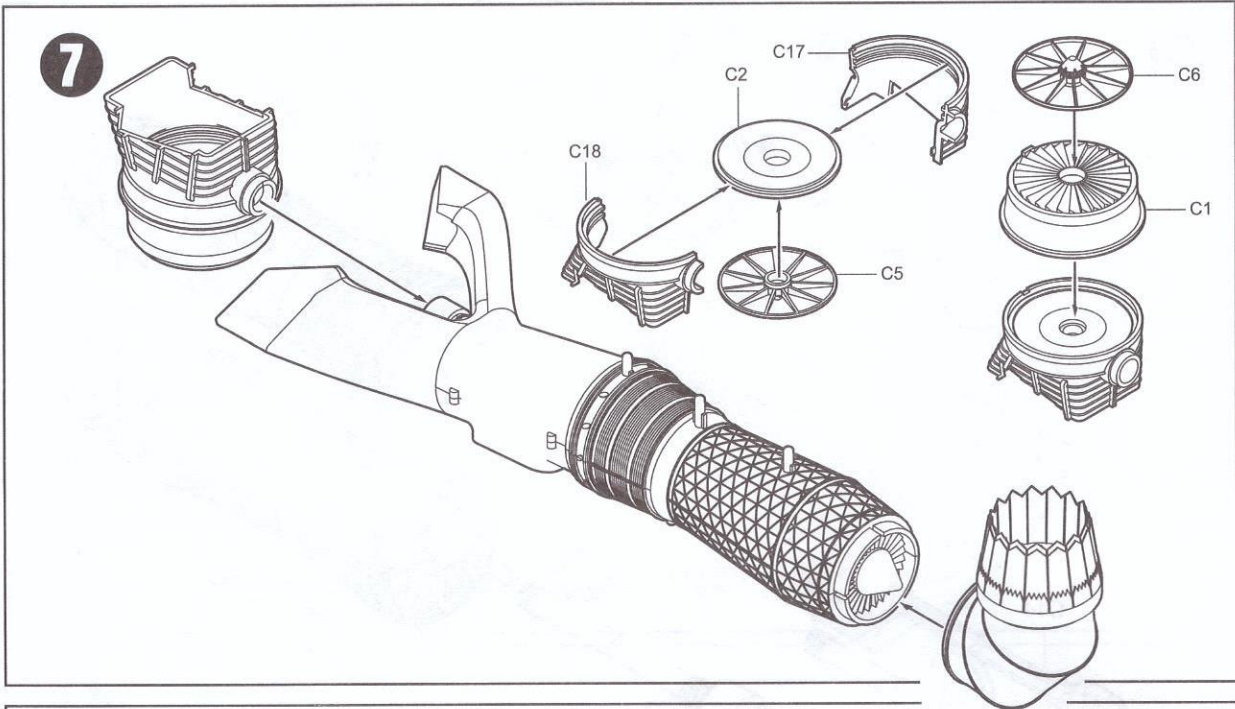


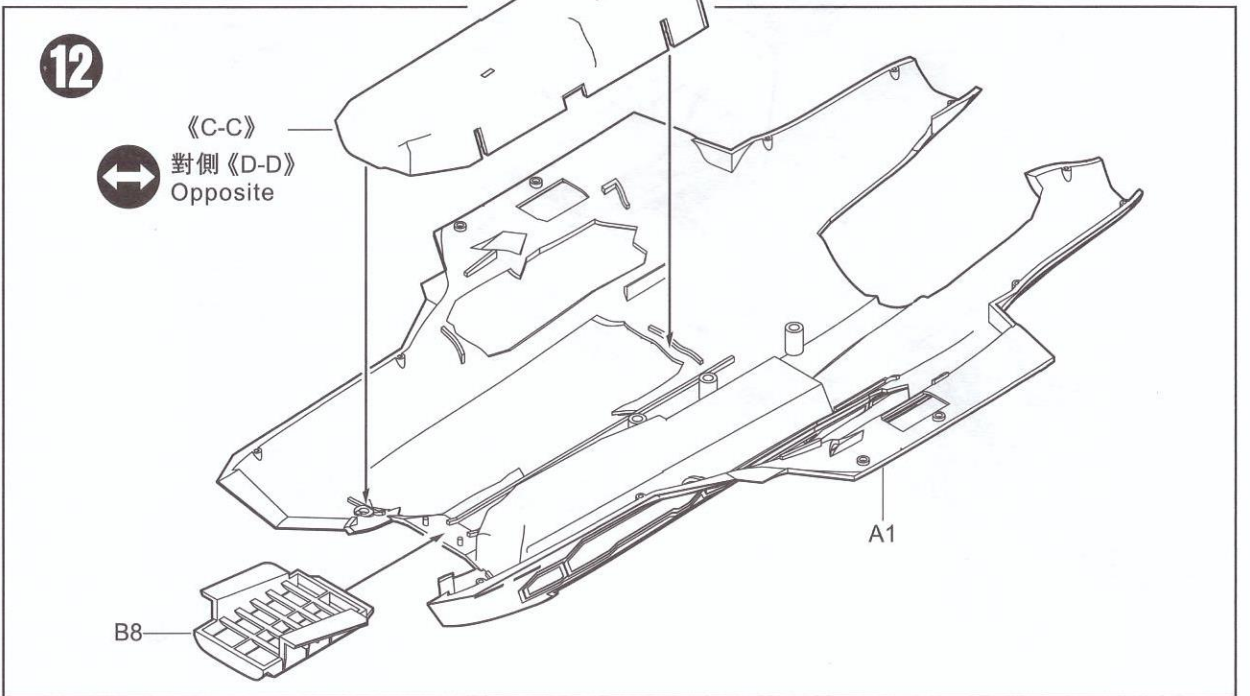
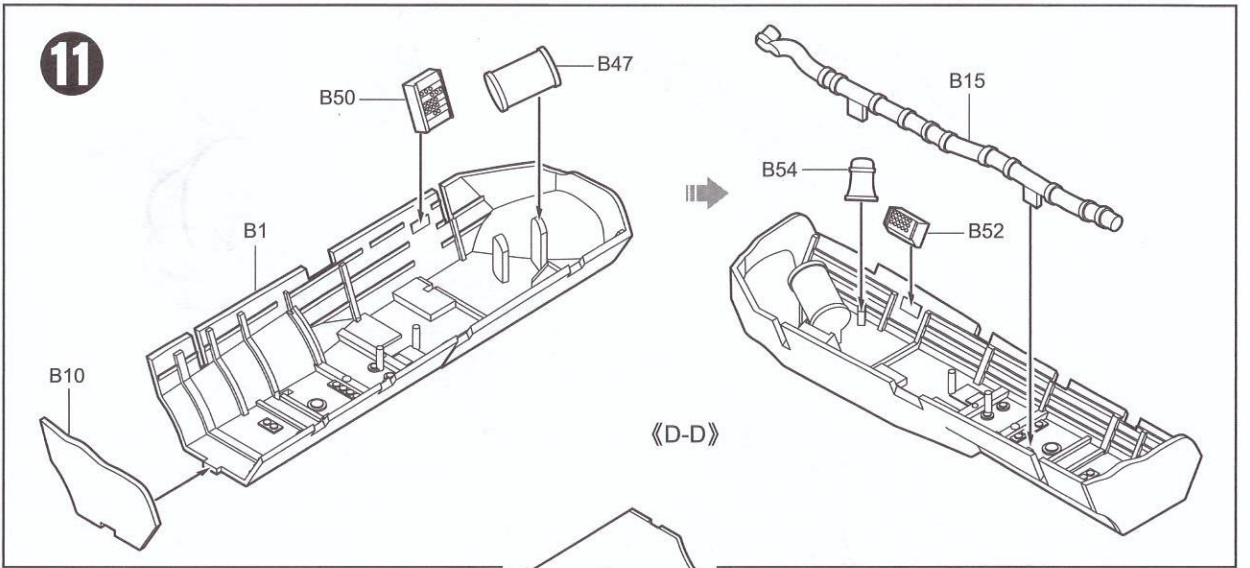
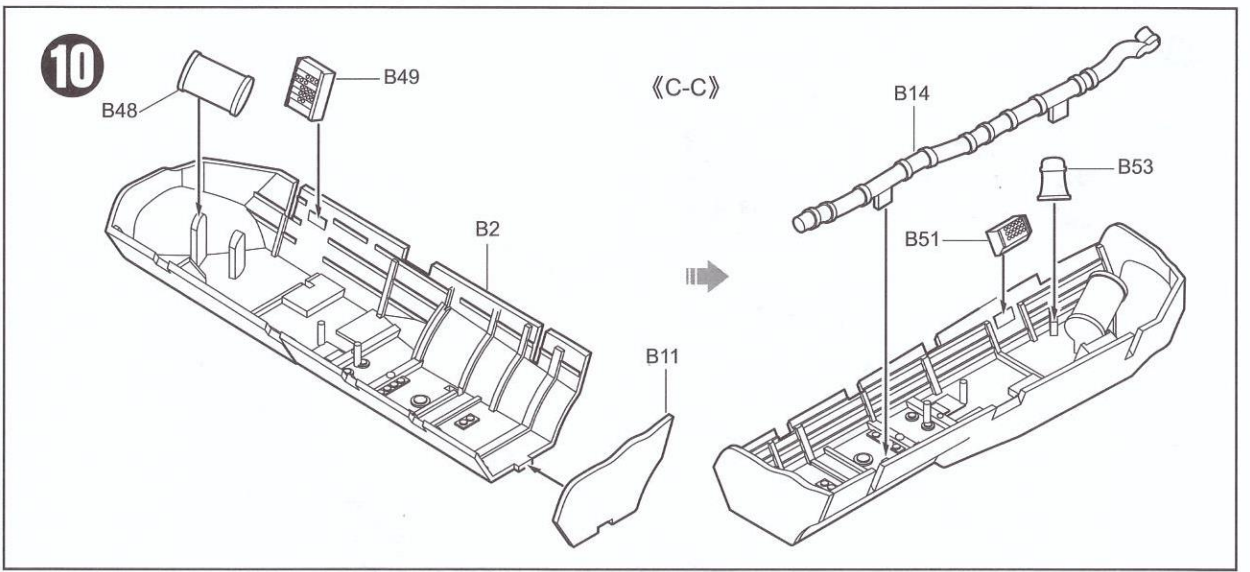
5



6

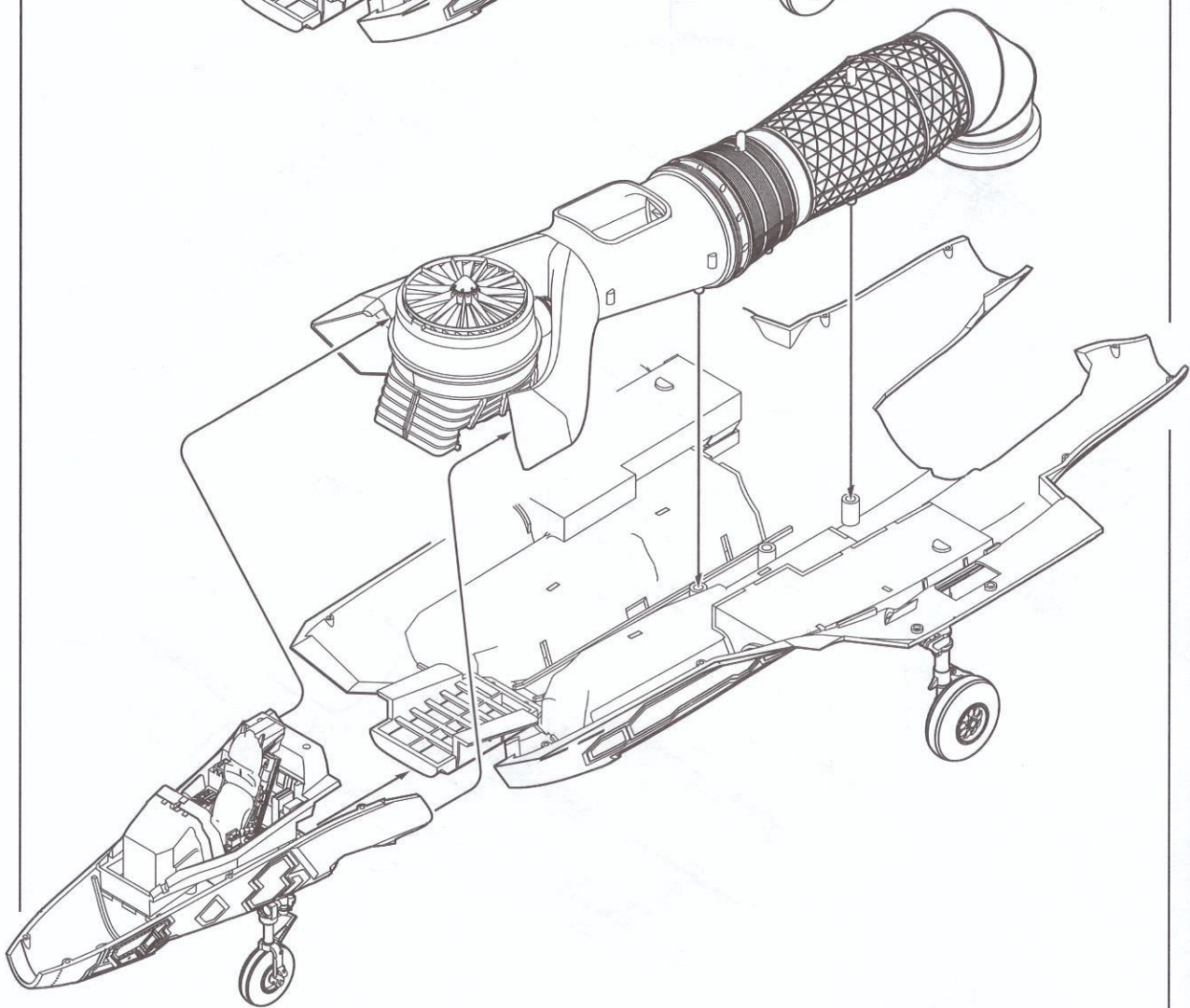
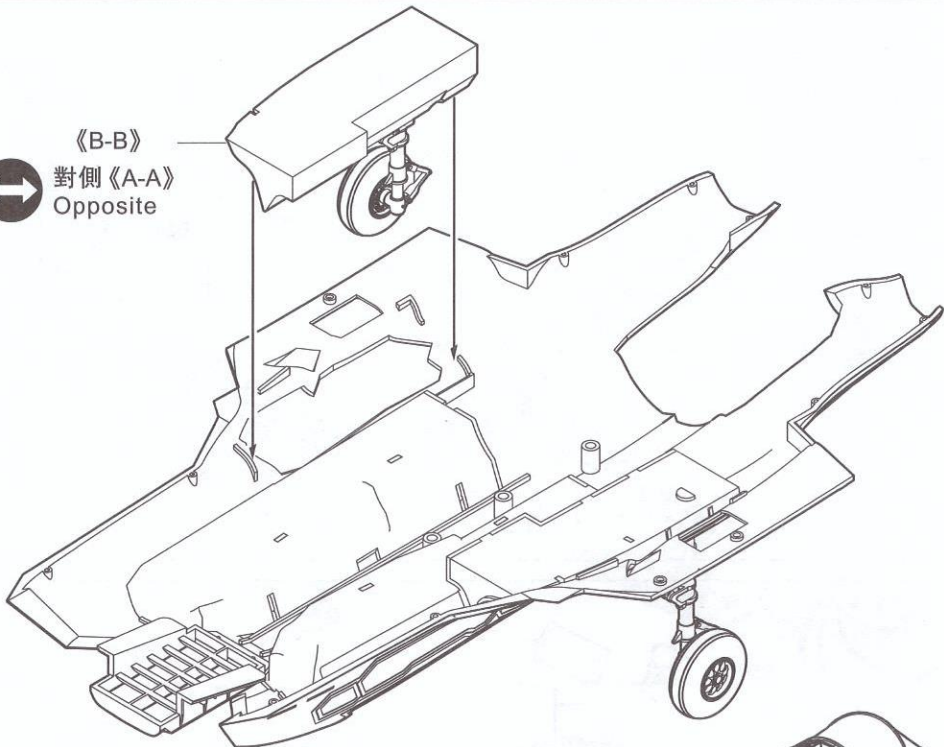




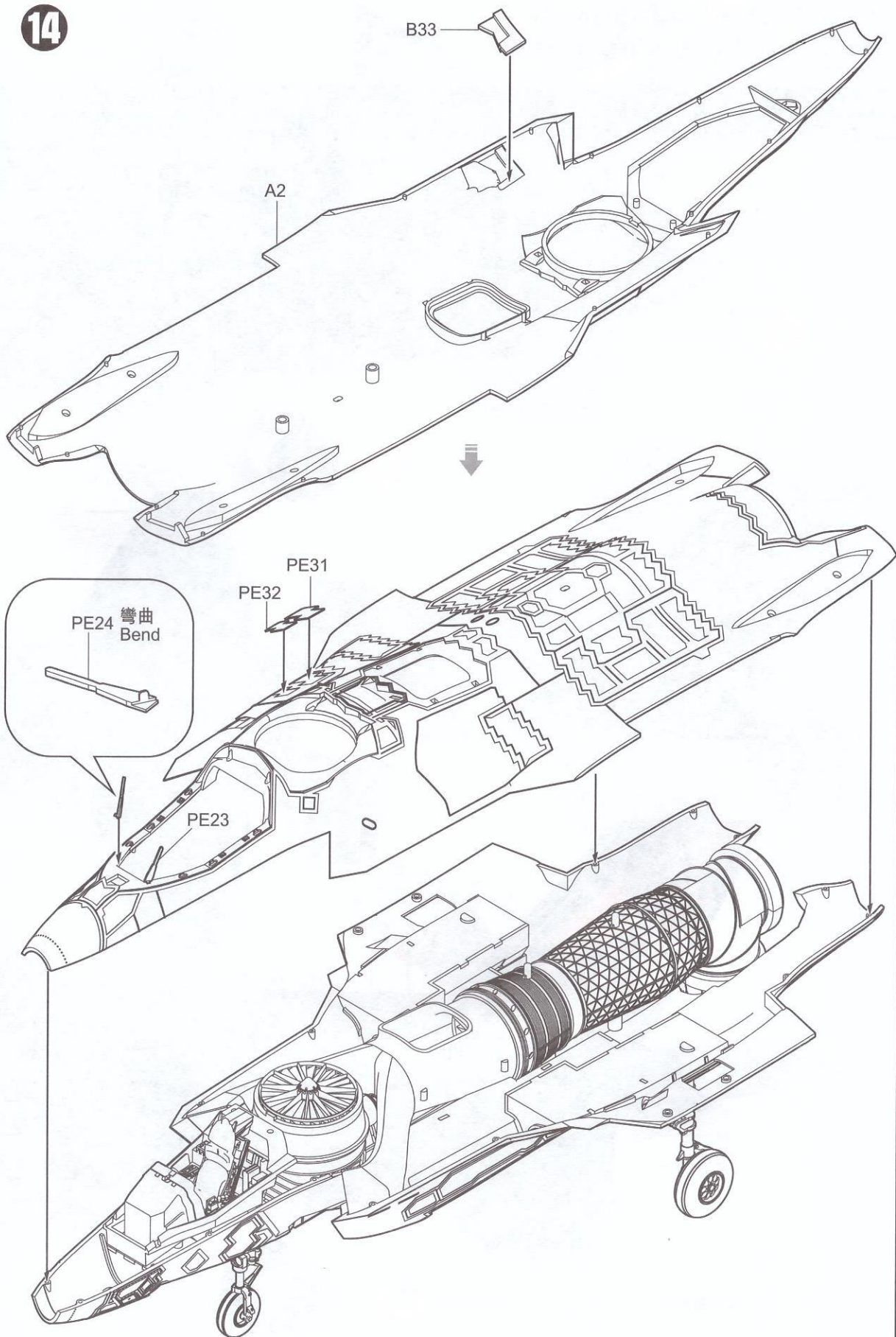


13

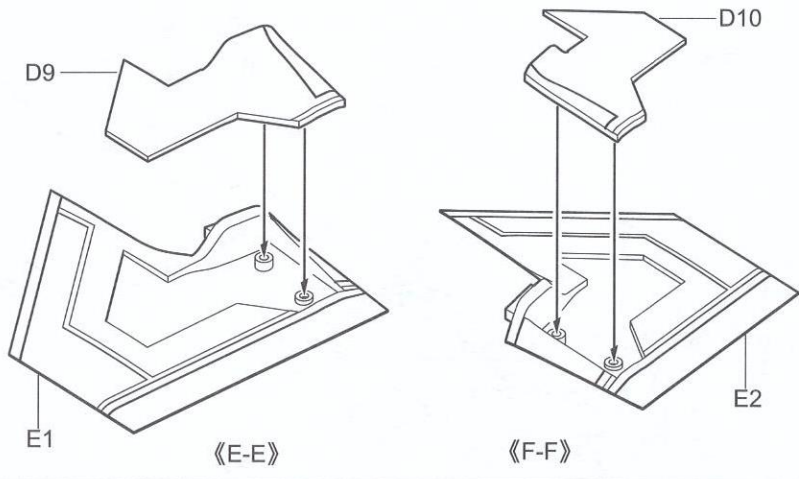
《B-B》
對側《A-A》
Opposite



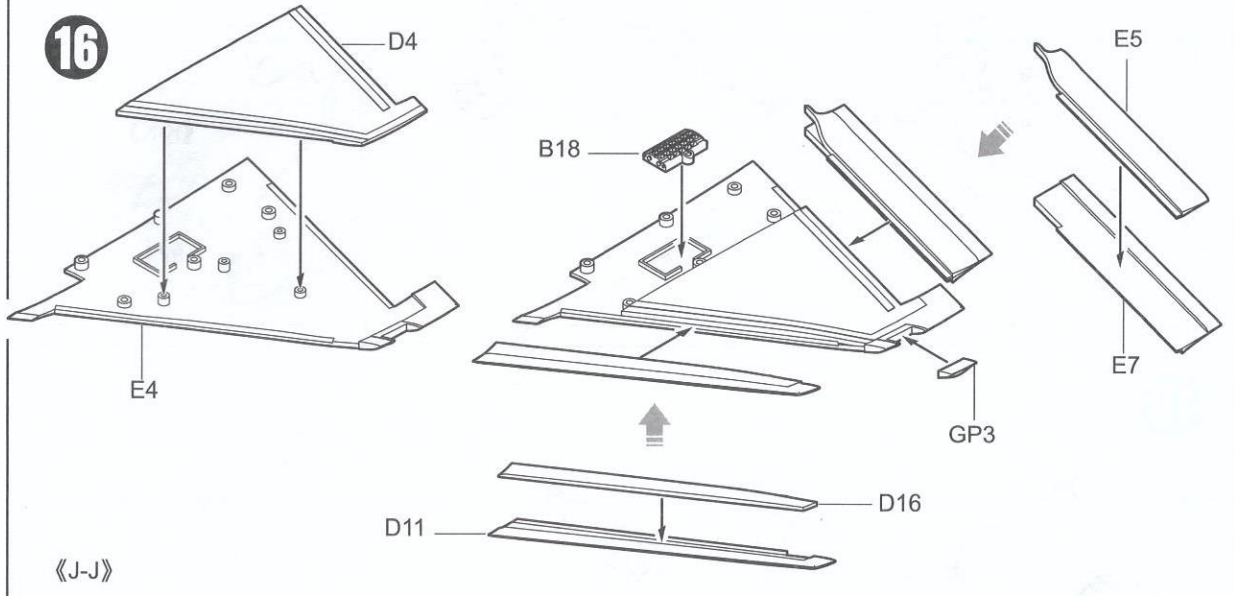
14



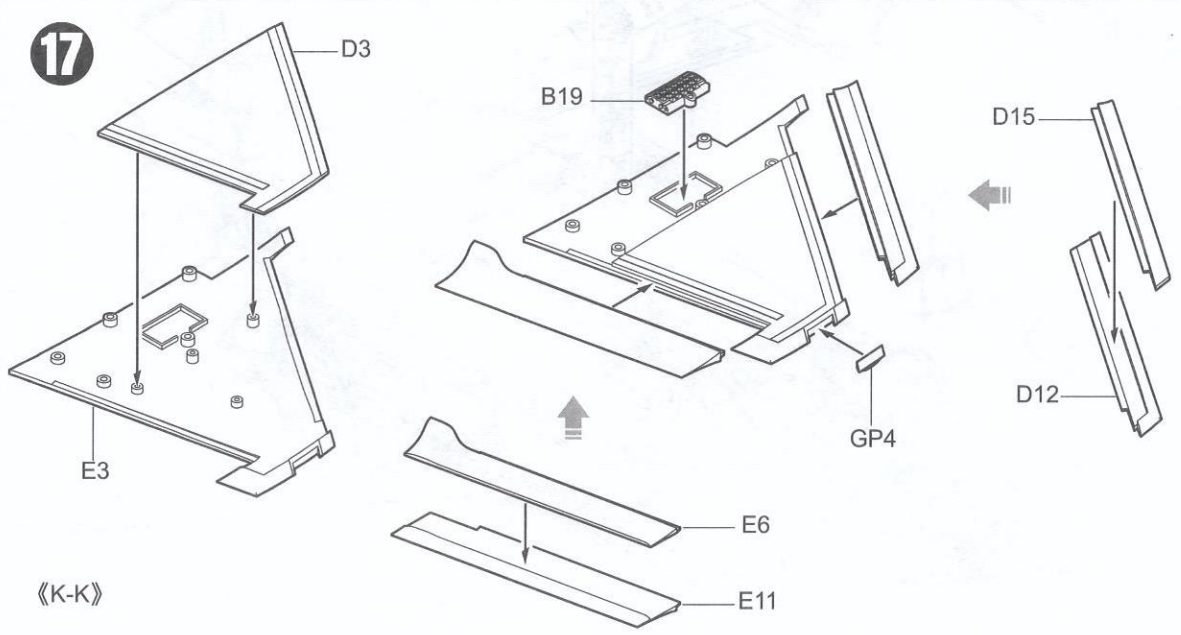
15

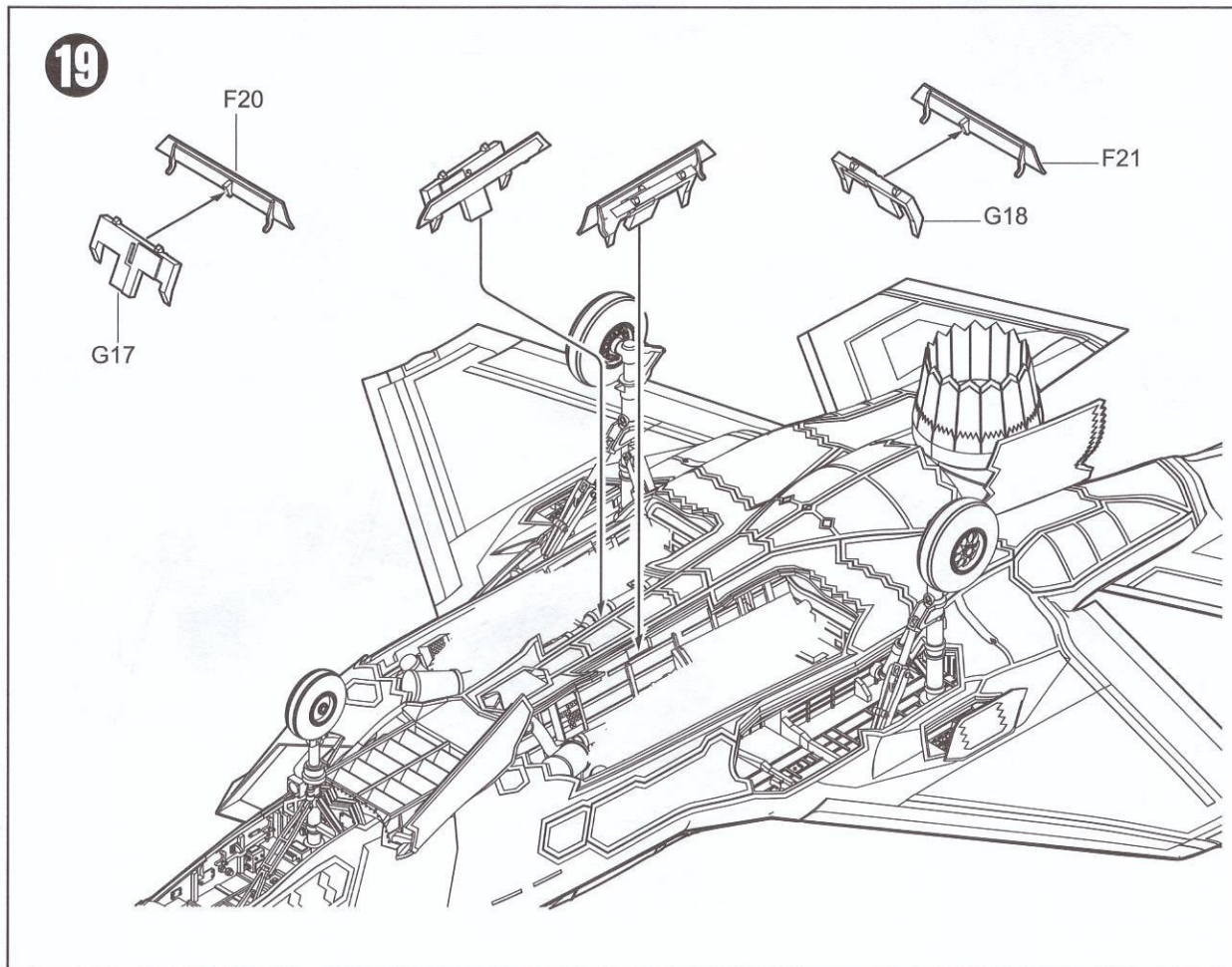
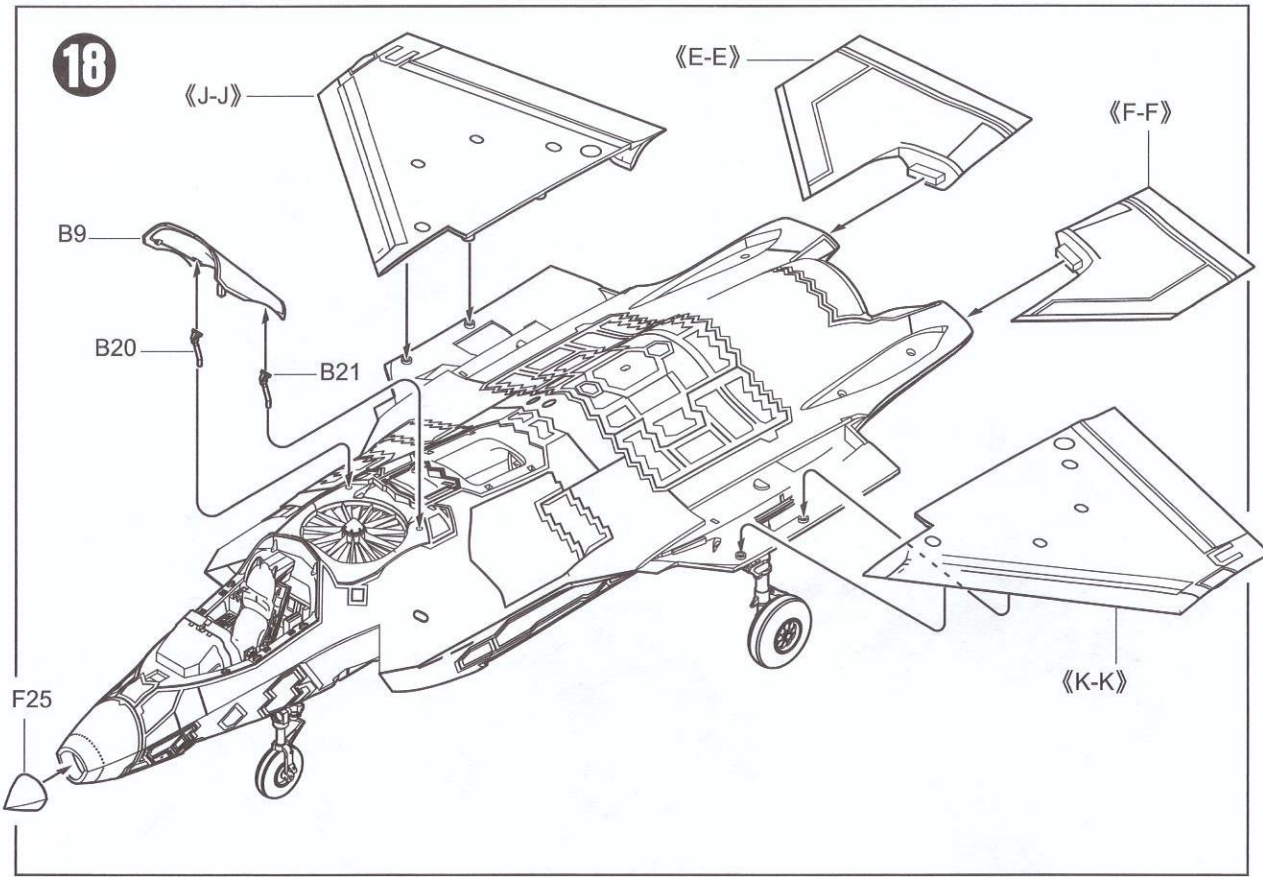


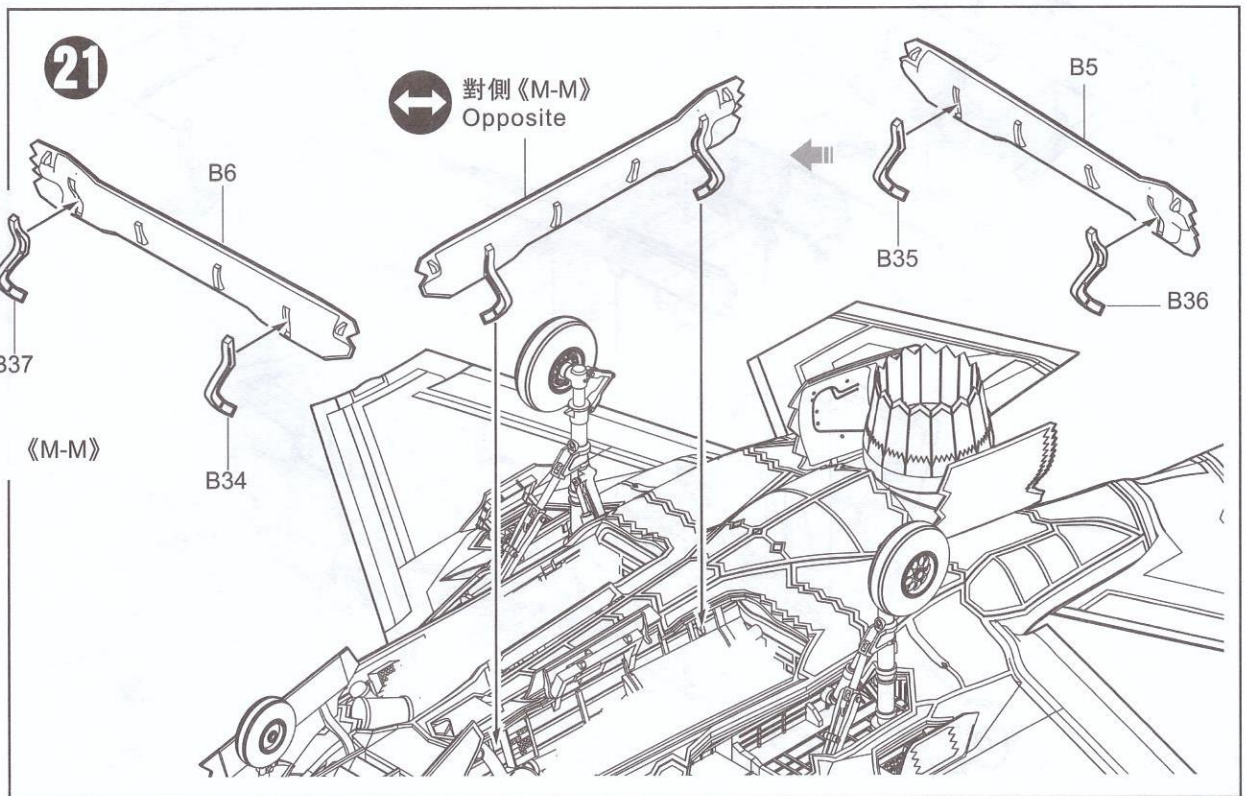
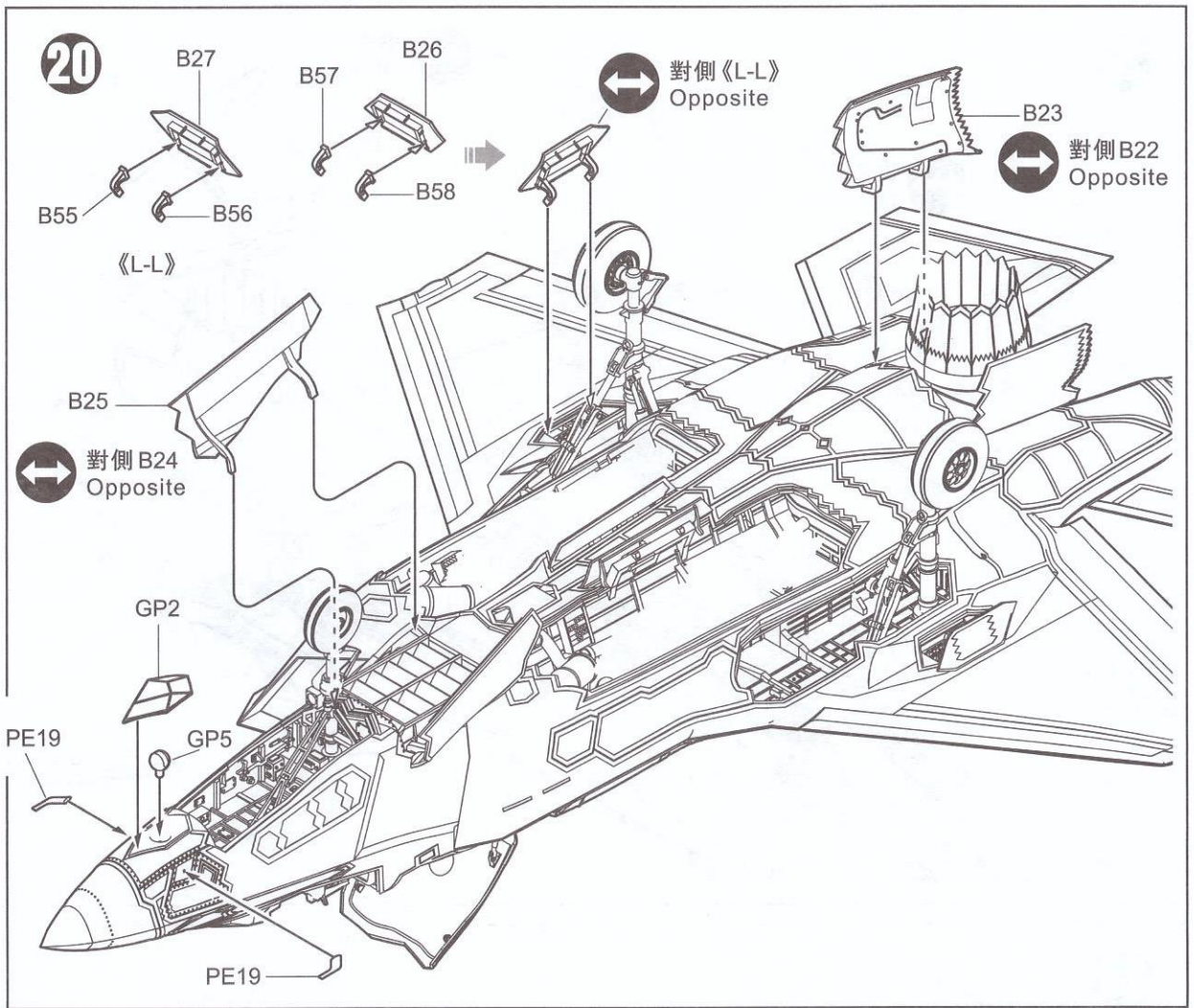
16

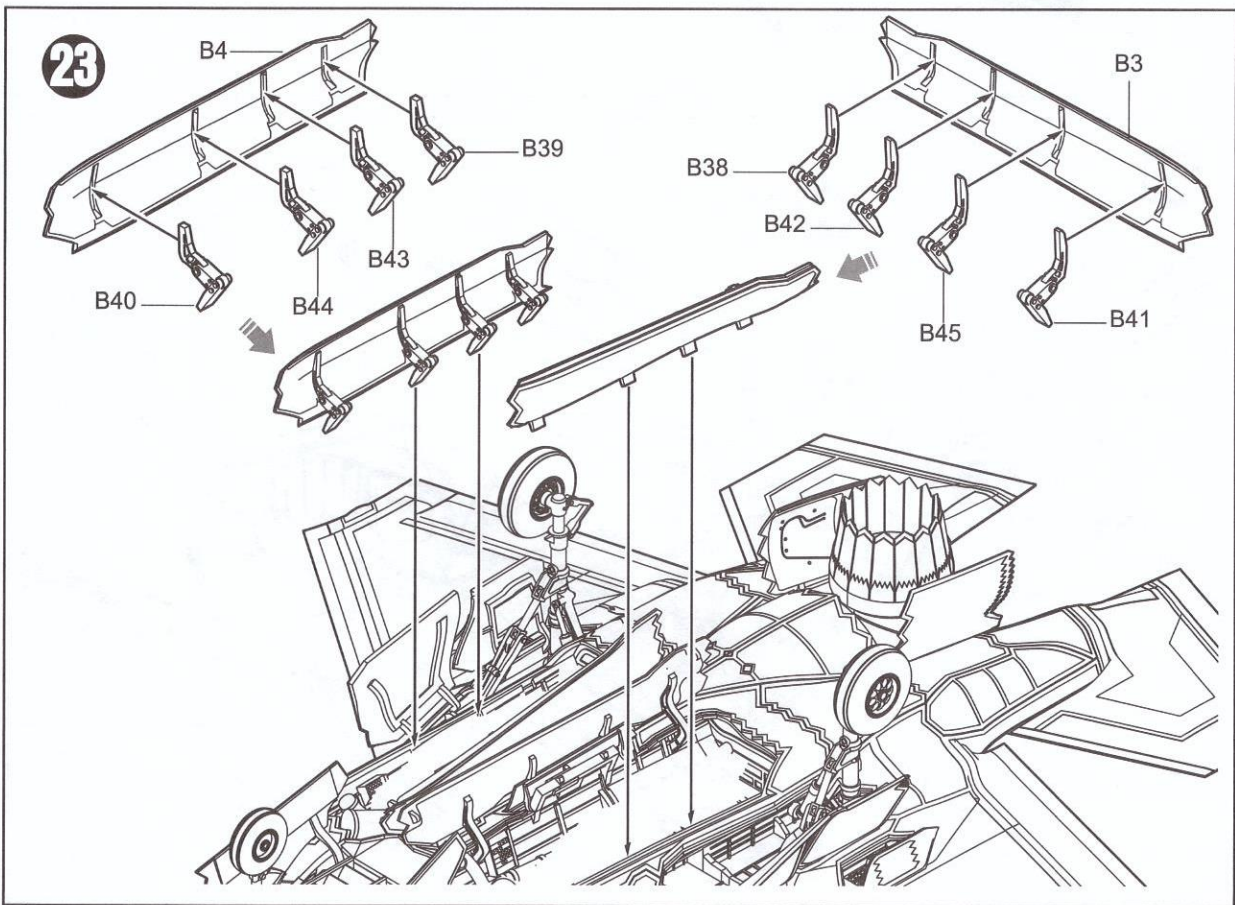
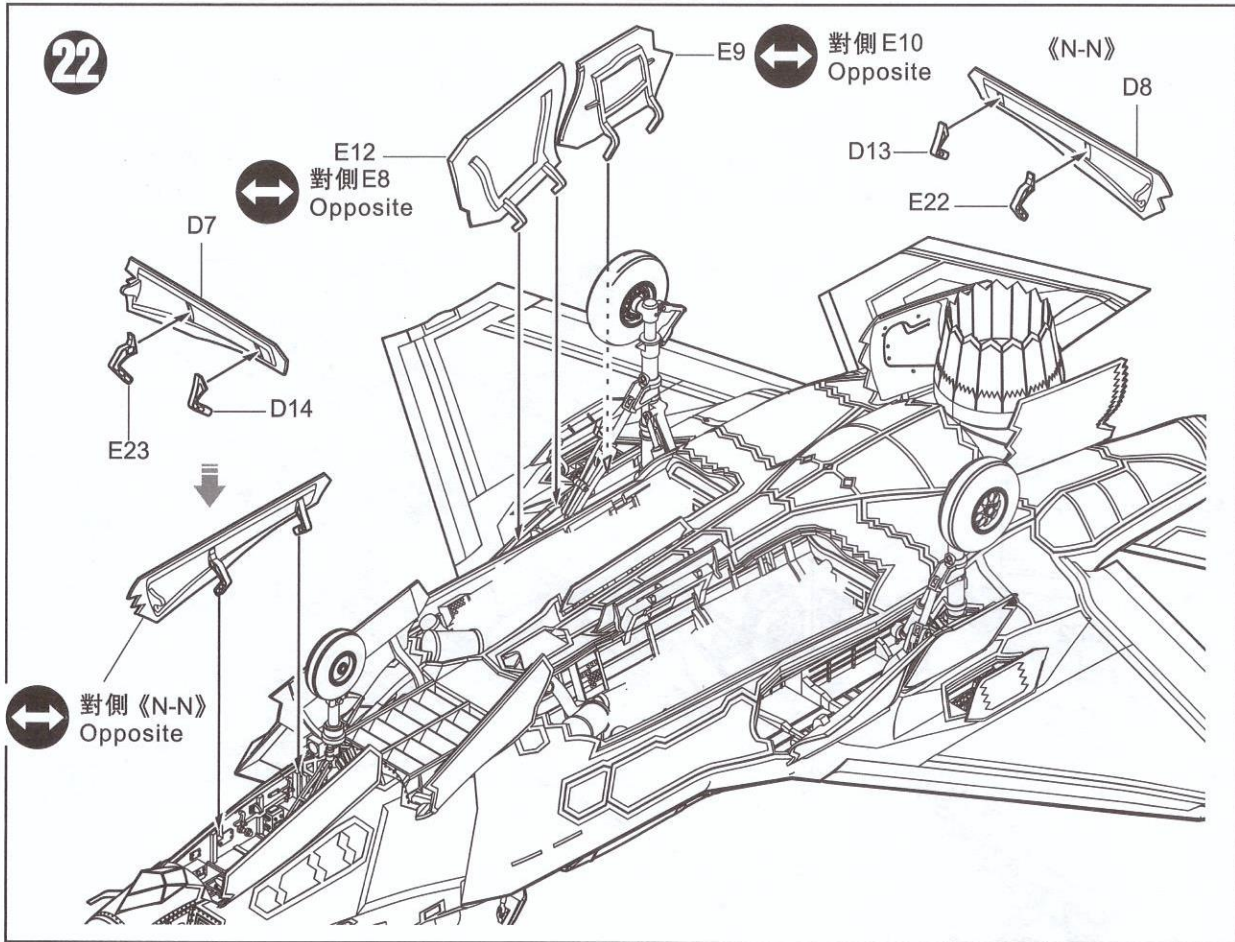


17









24

《P-P》

B12 B28

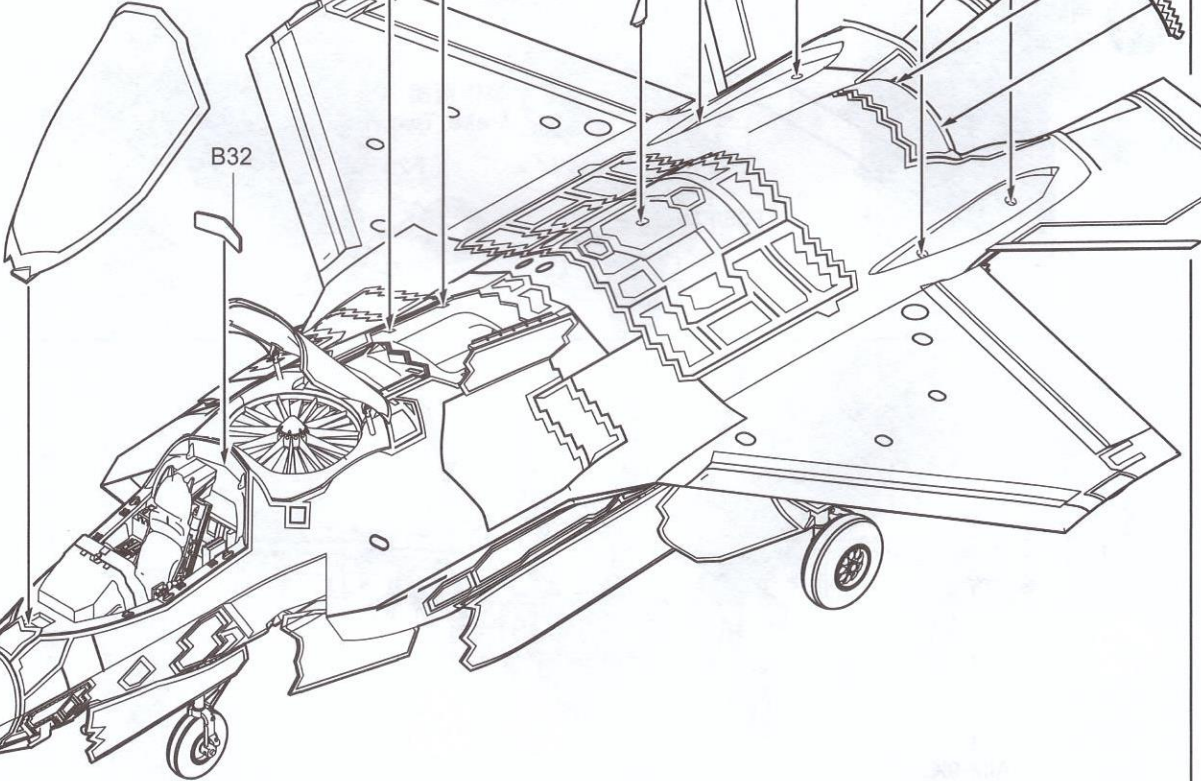
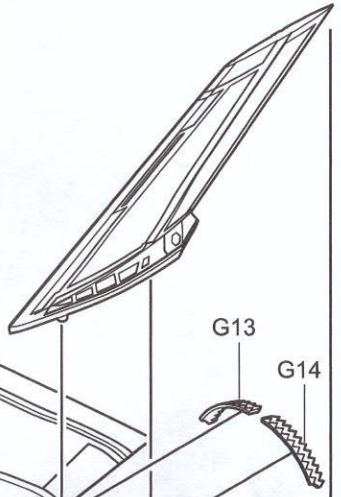
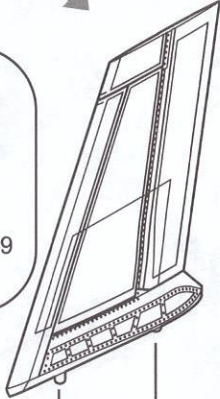
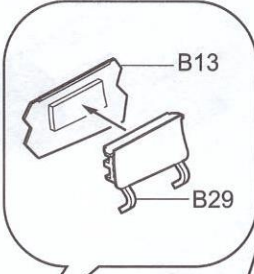
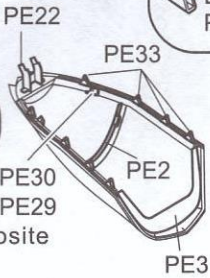
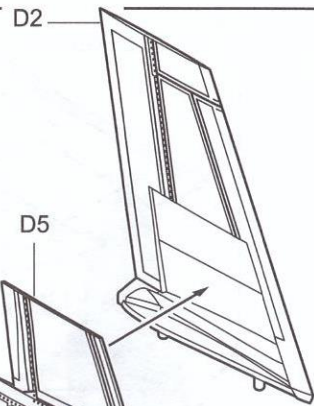
B16 B17 GP1 B46 切除 Cut

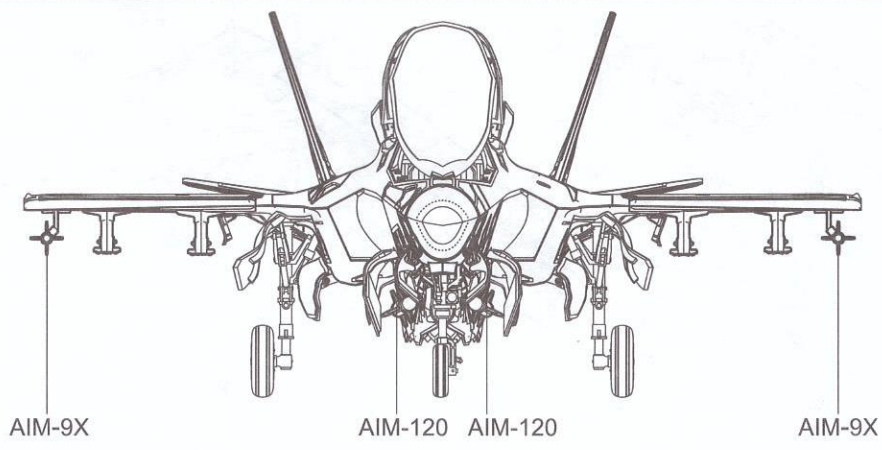
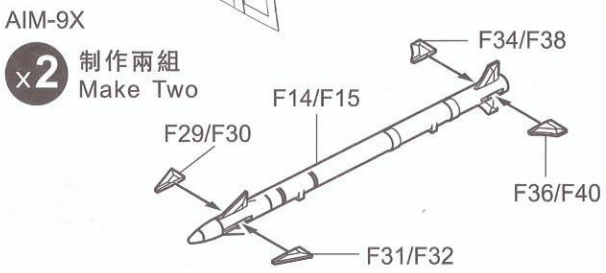
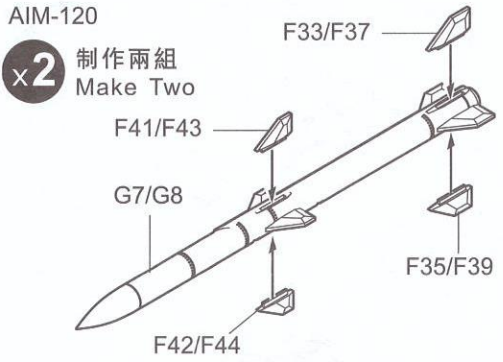
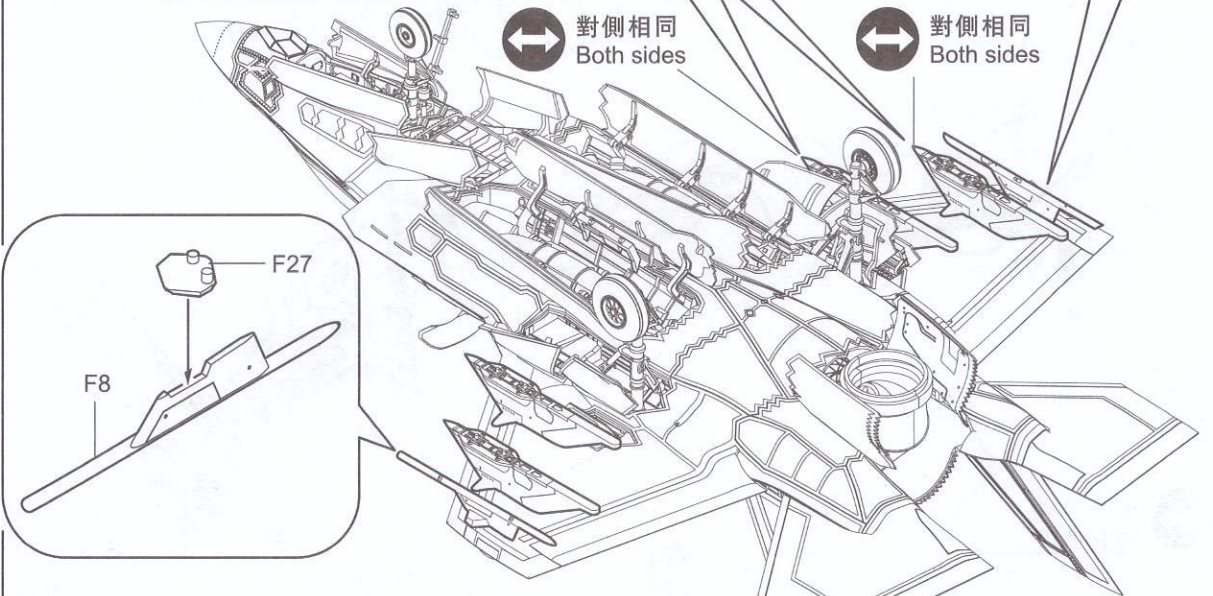
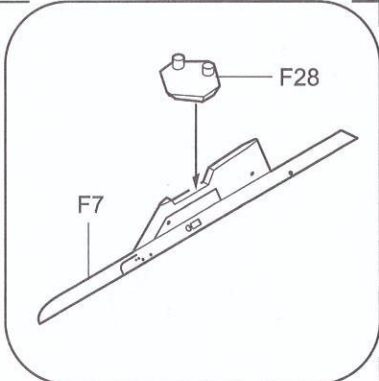
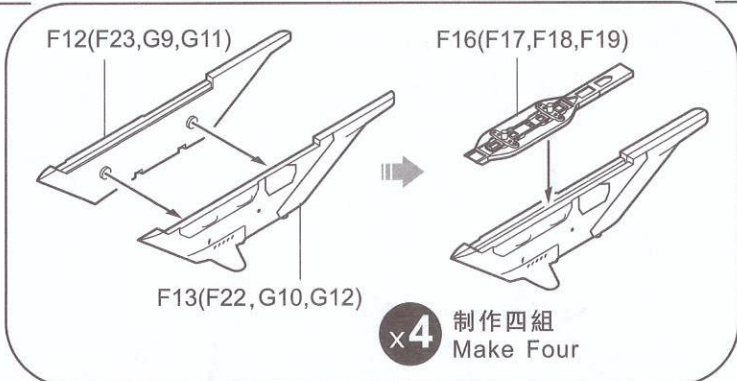
彎曲 Bend PE30

彎曲 Bend PE33

對側 PE29 Opposite

對側 《P-P》 Opposite





Painting & marking Guide

塗裝與水貼

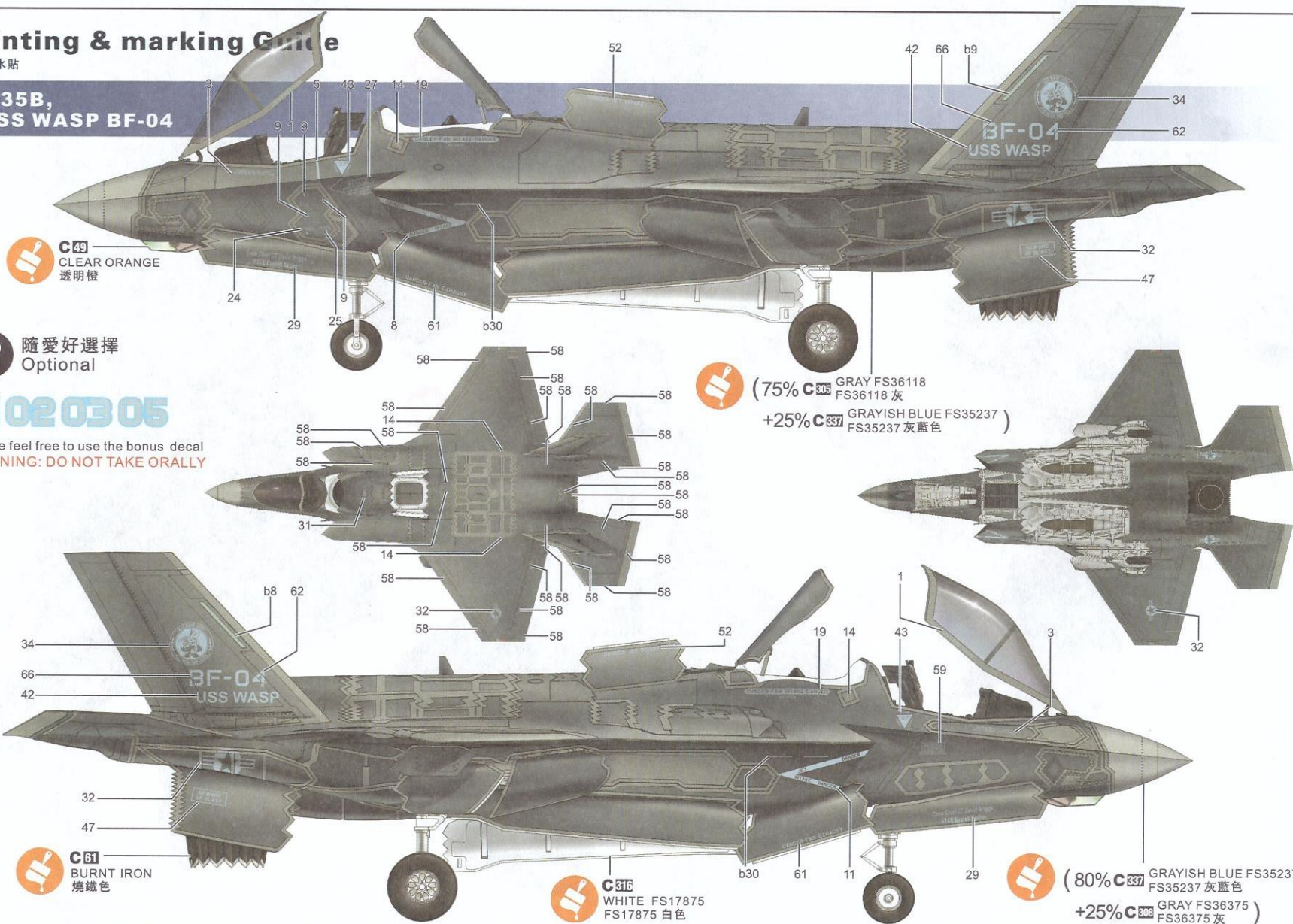
C.F-35B, USS WASP BF-04

C49
CLEAR ORANGE
透明橙

? 隨愛好選擇
Optional

01020305

please feel free to use the bonus decal
WARNING: DO NOT TAKE ORALLY



(75% C305 GRAY FS36118
FS36118 灰
+25% C337 GRAYISH BLUE FS35237
FS35237 灰藍色)

(80% C337 GRAYISH BLUE FS35237
FS35237 灰藍色
+25% C308 GRAY FS36375
FS36375 灰)

Painting & marking Guide

塗裝與水貼

E.F-35B, VMFAT-501



(80% **C327** GRAYISH BLUE FS35237
FS35237 灰藍色
+25% **C308** GRAY FS36375
FS36375 灰)



(75% **C308** GRAY FS36118
FS36118 灰
+25% **C327** GRAYISH BLUE FS35237
FS35237 灰藍色)



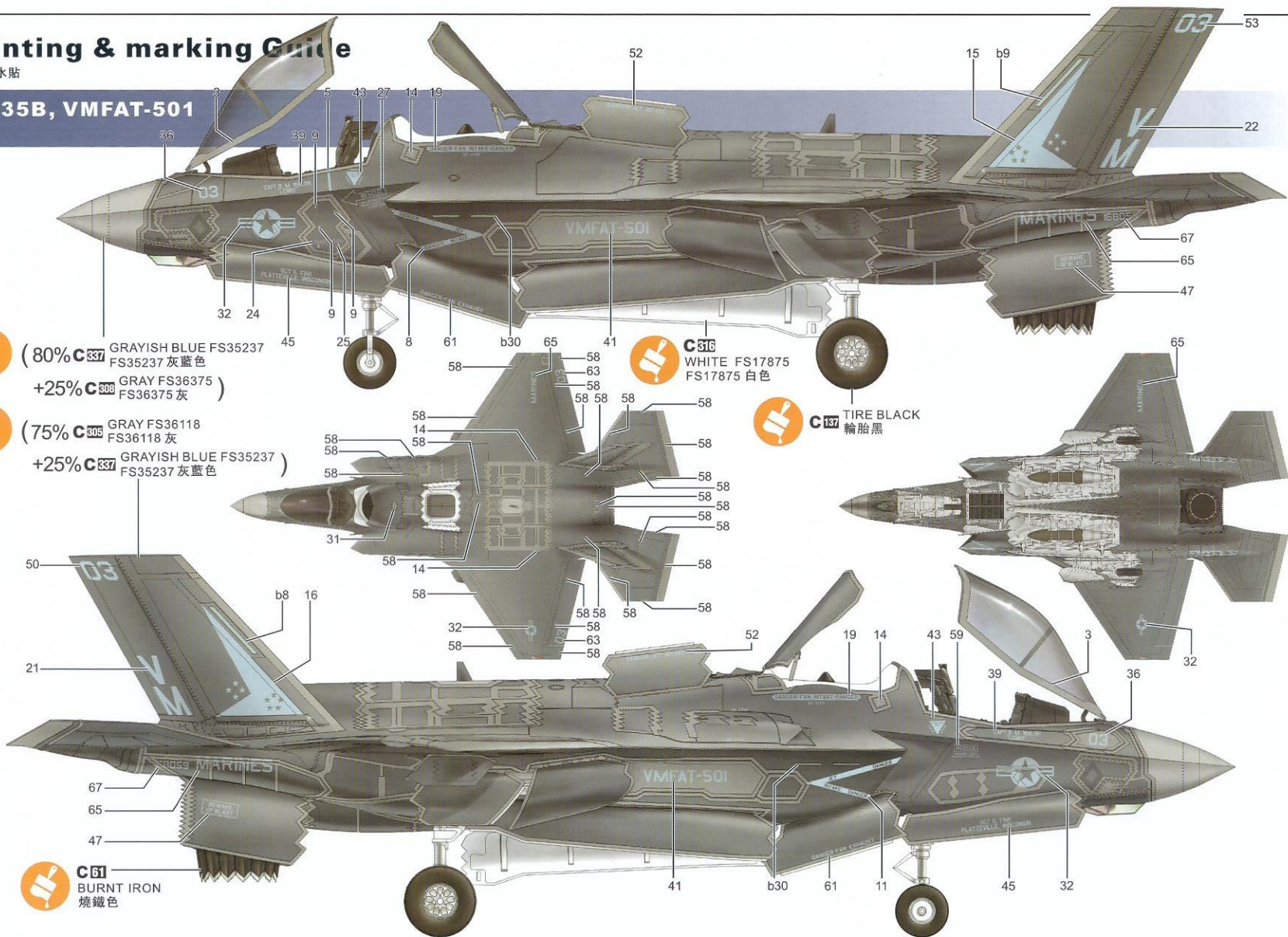
C316 WHITE FS17875
FS17875 白色



C137 TIRE BLACK
輪胎黑



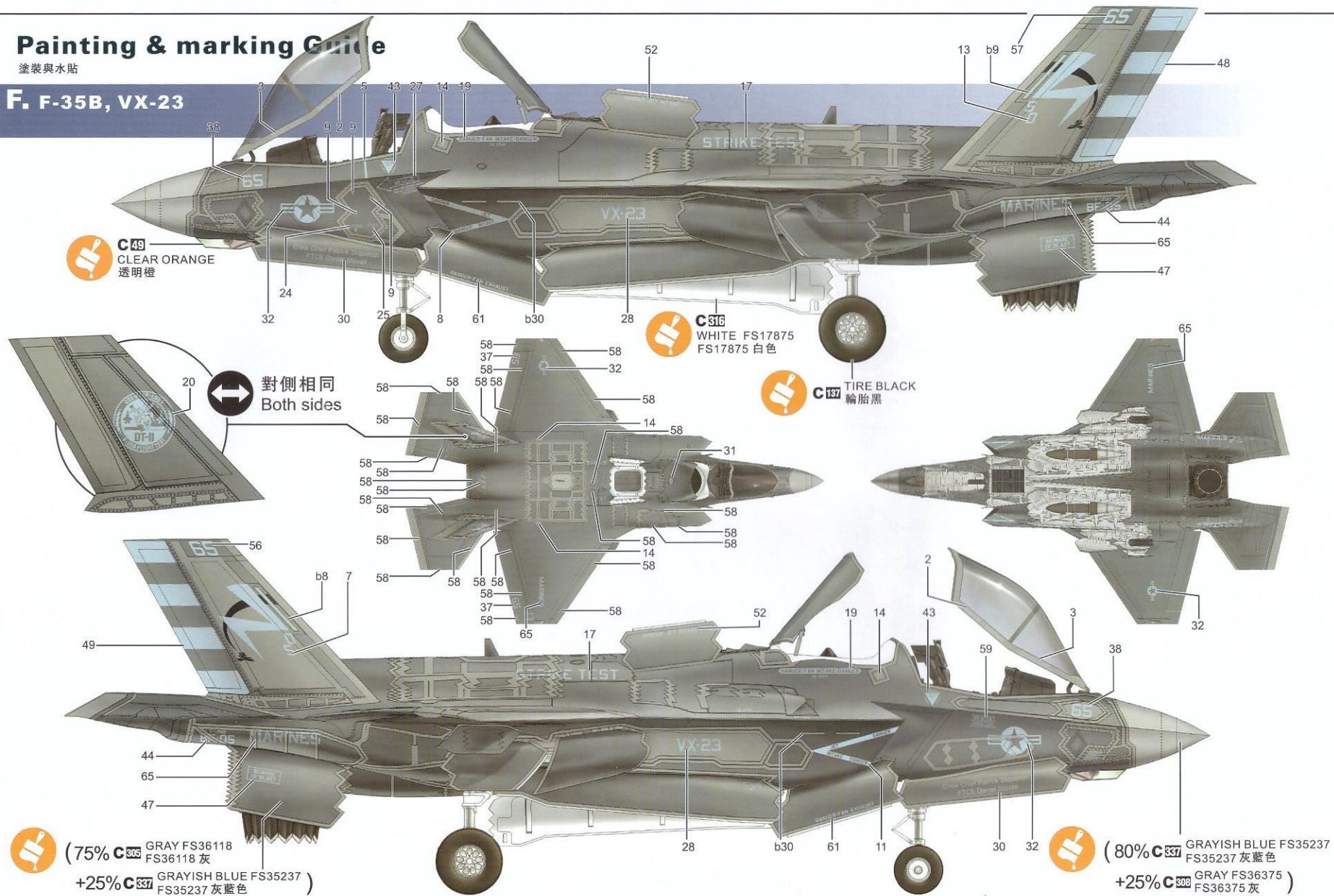
C61 BURNT IRON
燒鐵色



Painting & marking Guide

塗裝與水貼

F. F-35B, VX-23



C49
CLEAR ORANGE
透明橙

C316
WHITE FS17875
FS17875 白色

C137
TIRE BLACK
輪胎黑

對側相同
Both sides

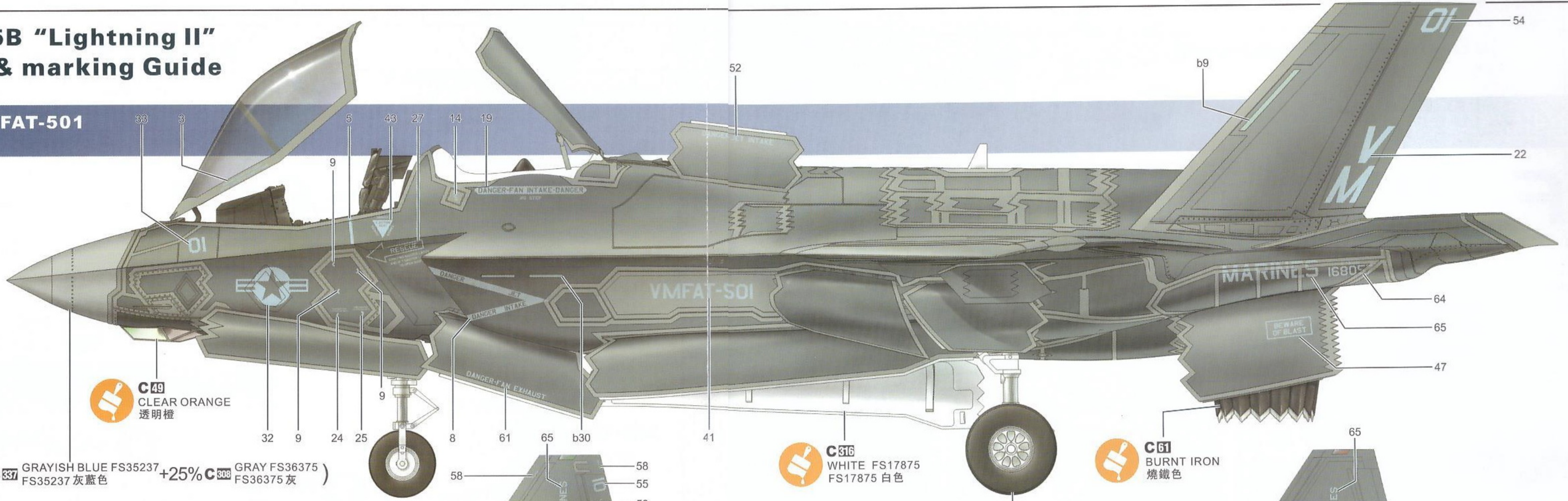
(75% C305 GRAY FS36118
FS36118 灰
+25% C337 GRAYISH BLUE FS35237
FS35237 灰藍色)

(80% C337 GRAYISH BLUE FS35237
FS35237 灰藍色
+25% C308 GRAY FS36375
FS36375 灰)

1:48 F-35B "Lightning II" Painting & marking Guide

塗裝與水貼

A.F-35B, VMFAT-501

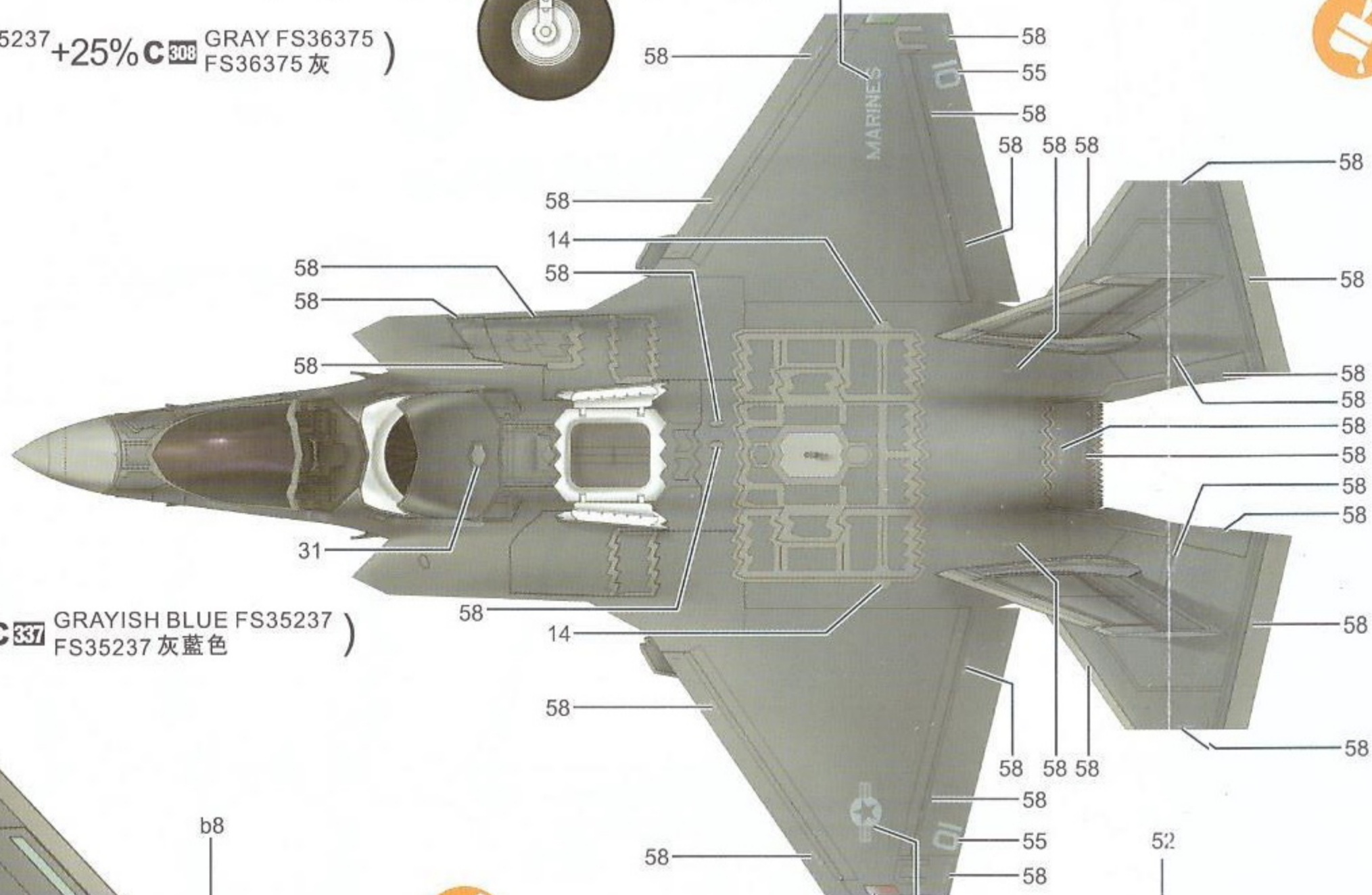


C49 CLEAR ORANGE
透明橙

(80% C337 GRAYISH BLUE FS35237 + 25% C308 GRAY FS36375)
FS35237 灰藍色 + FS36375 灰

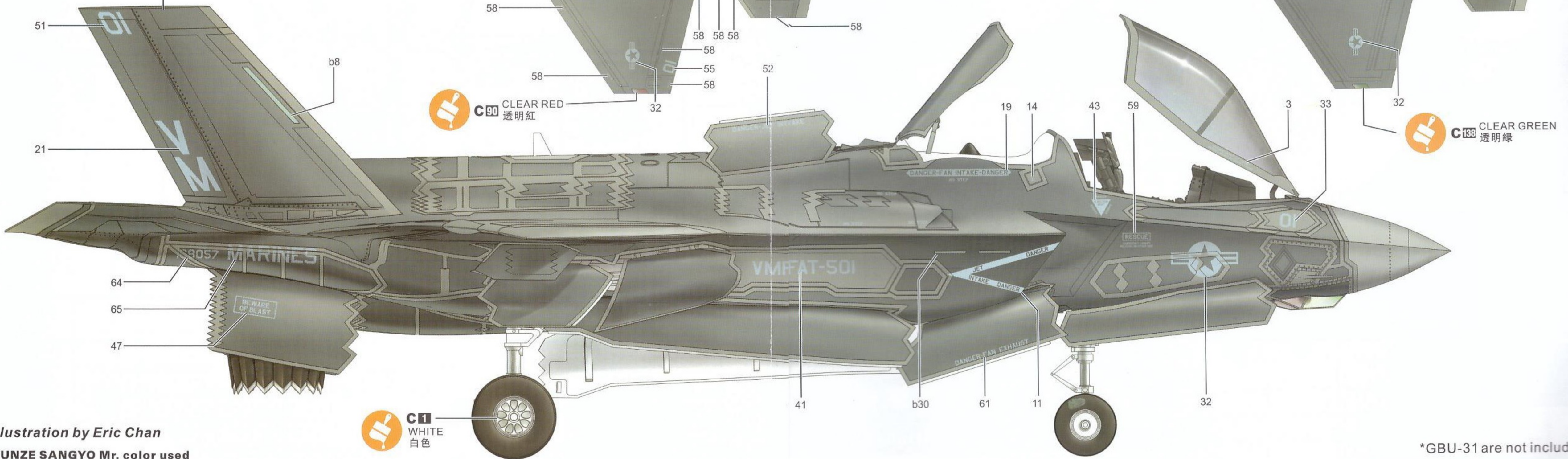
C310 WHITE FS17875
FS17875 白色

C61 BURNT IRON
燒鐵色



(75% C305 GRAY FS36118 + 25% C337 GRAYISH BLUE FS35237)
FS36118 灰 + FS35237 灰藍色

C137 TIRE BLACK
輪胎黑



C90 CLEAR RED
透明紅

C138 CLEAR GREEN
透明綠

C11 WHITE
白色

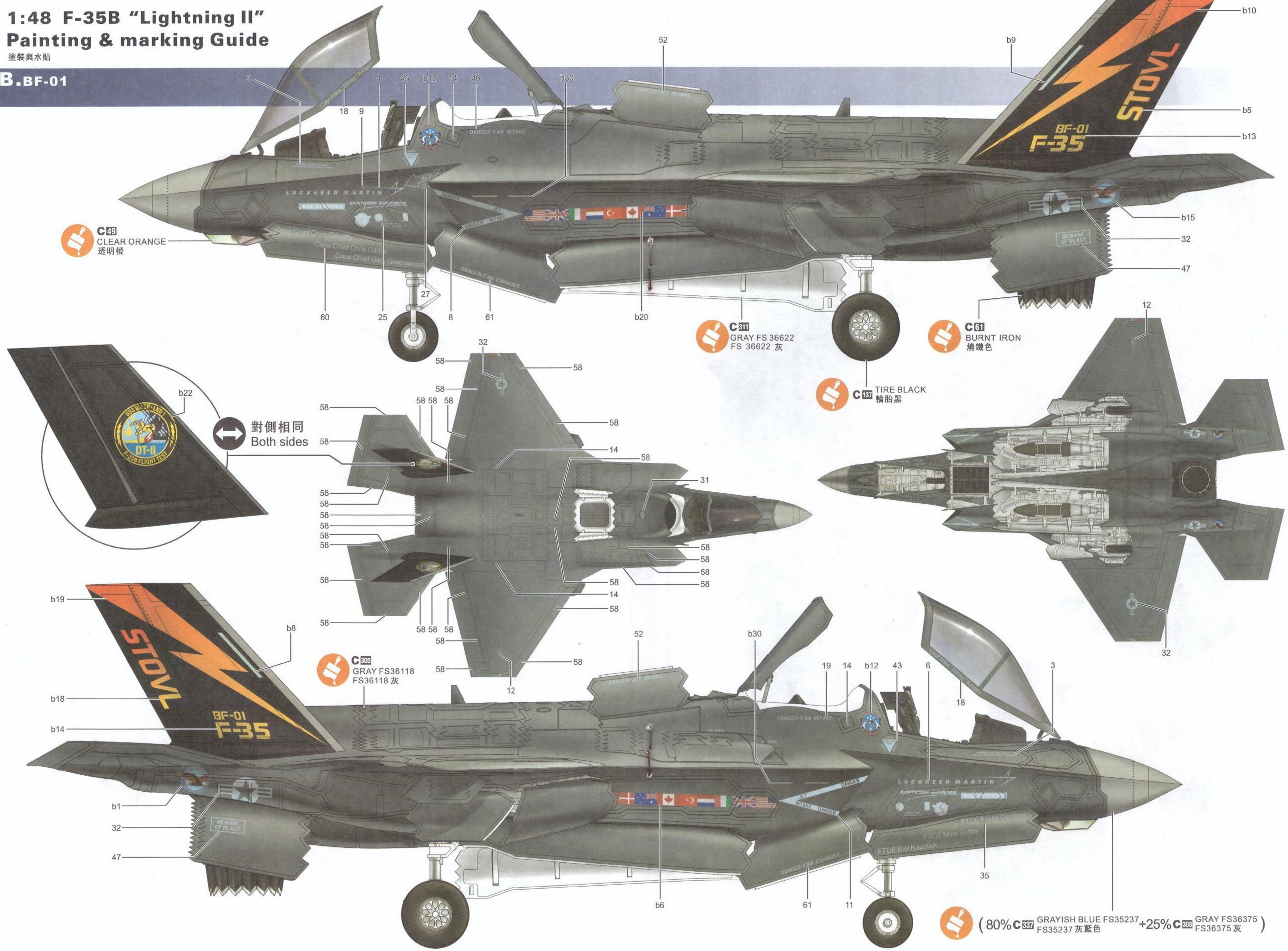
Illustration by Eric Chan
GUNZE SANGYO Mr. color used

*GBU-31 are not include.

1:48 F-35B "Lightning II" Painting & marking Guide

塗裝與水貼

B.BF-01



對側相同
Both sides

C305
GRAY FS36118
FS36118 灰

C311
GRAY FS 36622
FS 36622 灰

C61
BURNT IRON
燒鐵色

C137
TIRE BLACK
輪胎黑

(80% C837 GRAYISH BLUE FS35237 FS35237 灰藍色 +25% C808 GRAY FS36375 FS36375 灰)

