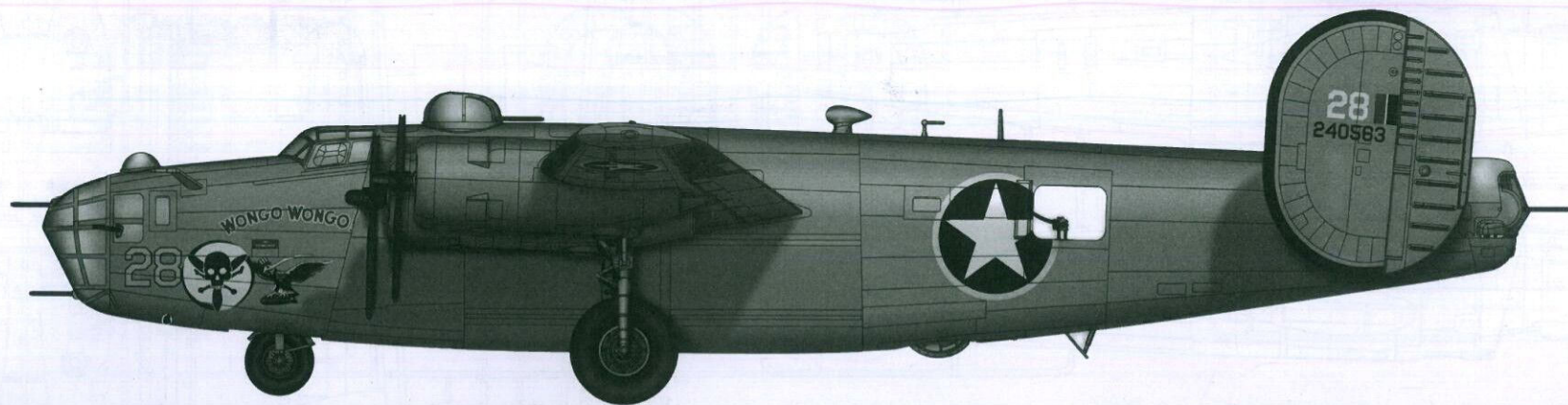


1:32 Scale

Item No.:83212



B-24D Liberator

B-24D リベレーター 美国B-24D“解放者”轰炸机

PLEASE READ BEFORE OPERATION!

- * Tools recommended as below: (Not included)
Adhesives; Paints; Side Cutters; Sharp Edged Pliers; Modeling Knife; Modeling File; Nippers; Drill; Scissors; Sand Paper; Soft Cloth; Cyanoacrylate Glue.
- * Make sure to read this instruction listed below before assembling.
- * The kit contains the small parts, they can be dangerous if swallowed by mistake, so keep them away from reach of children.
- * Cut the all parts off carefully and remove the waste parts into the garbage can.
- * More caution and care should be needed for cutting and handling the photo etched parts.
- * Make attention that some parts should be attached the decal when assembled.
- * During assembling, please tear up and throw away the plastic bags, or may cause the dangerous if wearing over head by children's mistake.
- * When using the adhesives and paints, please do not use them in the closed room or near the fire, also must be very careful to protect your eyes, face and clothes.
- * Adult supervised when assembled by children under 14 years old.

装配前请仔细阅读:

- * 推荐使用的模型工具(请自备):
专用模型胶水, 专用模型油漆, 水口剪刀, 长咀钳, 刀片, 锉刀, 镊子钳, 钻, 剪刀, 软布, 砂纸, 瞬间快干胶等。
- * 用水口剪刀或刀片小心切下所有塑胶零件和蚀刻片零件, 不要遗失小零件。
- * 切取蚀刻片时应特别注意防止利边划伤手指。
- * 用模型锉刀小心锉平所有零件表面的注射浇口。
- * 用适量的强力快干胶水粘合蚀刻片零件和金属轴, 切忌过量, 否则可能导致可动零件被粘住。
- * 注意某些零件表面需在装配时同步贴水上贴纸。
- * 制作时应远离幼儿并将包装袋及时收妥, 谨防小孩玩耍而引起意外。

The method to apply the decals

1. Cut off the decal from the decal paper and put it into the warm water 40°C for 10 seconds.
2. Take the decal from the water and put it on a piece of clean cloth.
3. Remove the decal slowly from the paper to the targeted location by a wet finger.
4. Use a piece of dry and soft cloth to press it gently on the decal until it getting dry and no bubble existing.

水贴纸的使用方法:

- 一. 把相关的印花从水贴上剪下, 放入40°C左右的温水中浸10秒。
- 二. 然后将印花放在干净的布上。
- 三. 拿上印花纸板, 手指蘸水将印花移到适当的位置。
- 四. 用软干布轻压印花直至水干, 气泡消失。



cyanoacrylate glue
强力胶



weight
配重



make hole
钻孔



cut / remov
切除



option
选择



no cement
不涂胶水



decal
贴纸



bend
弯角

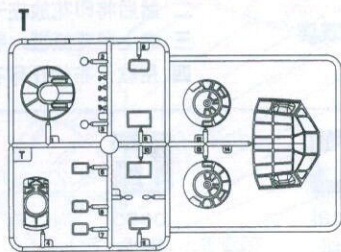
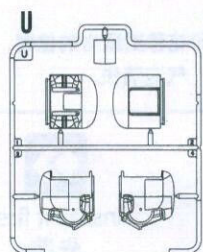
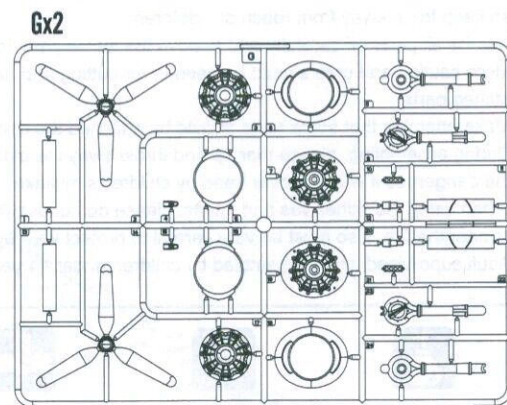
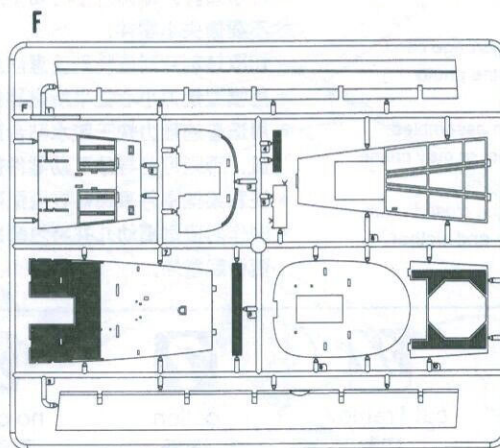
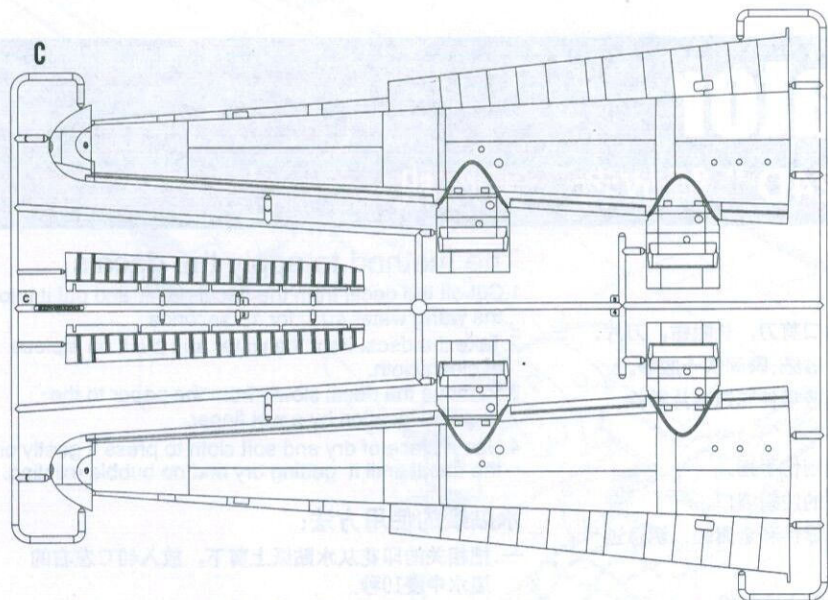
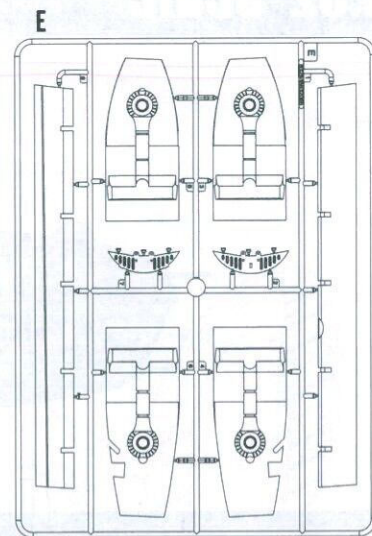
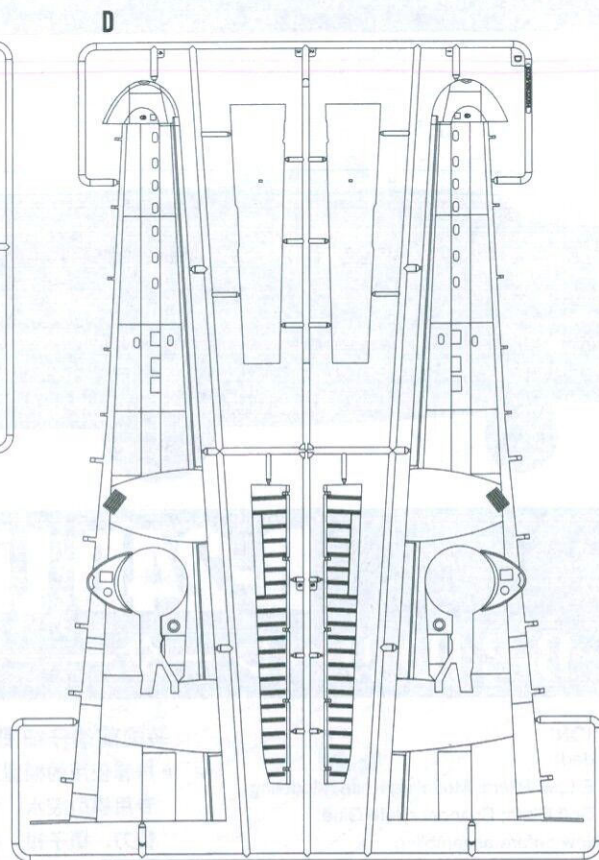
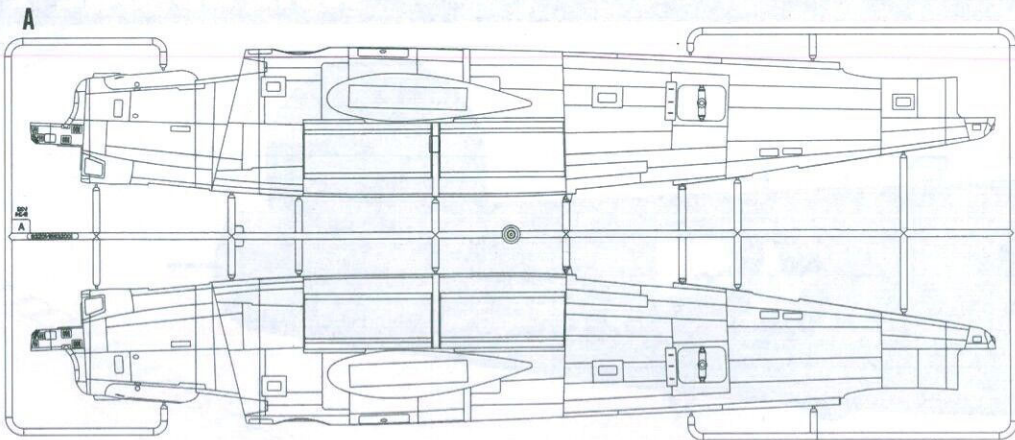


repair
填补

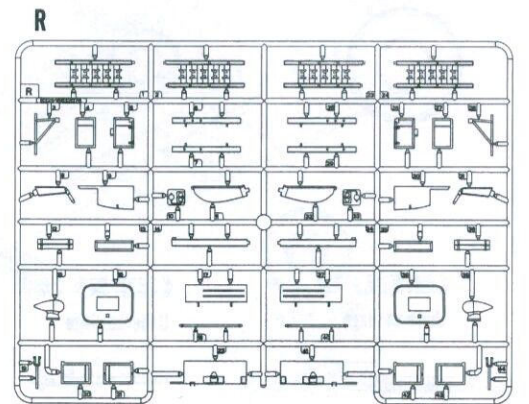
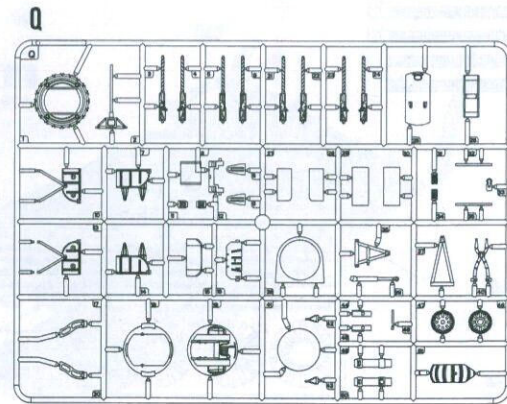
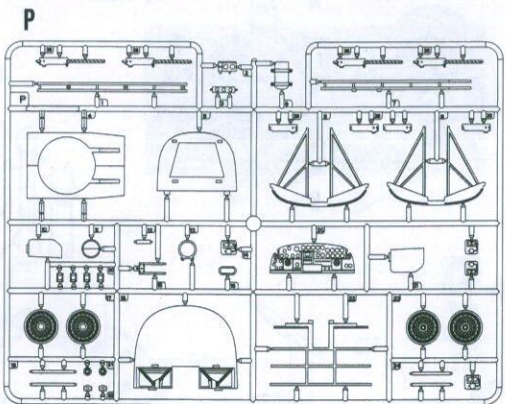
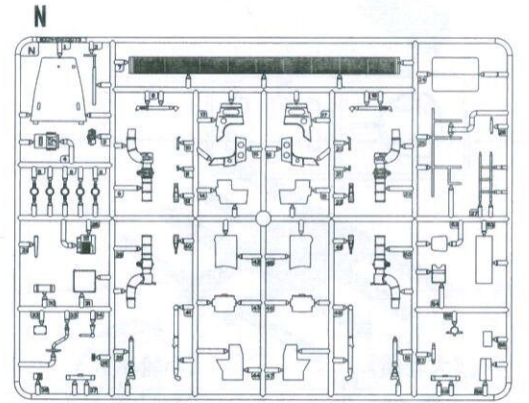
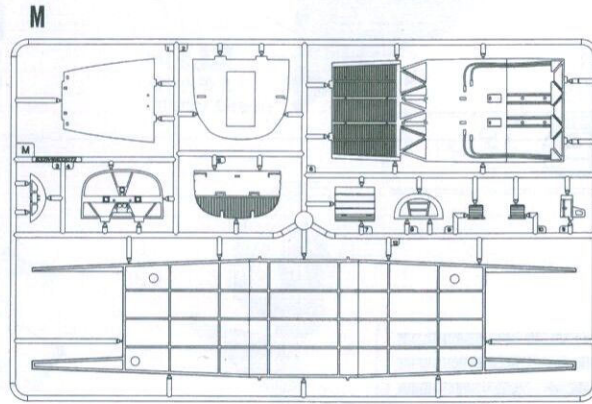
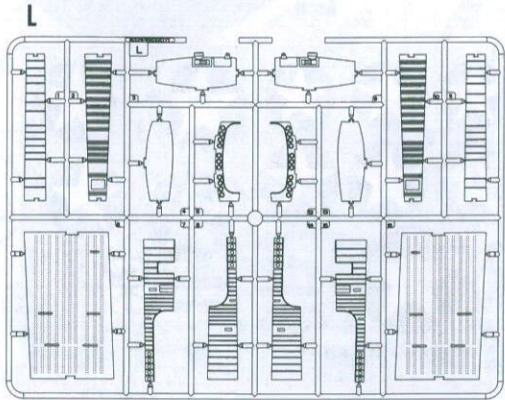
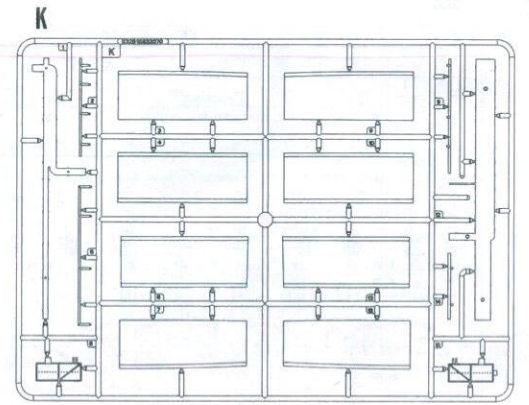
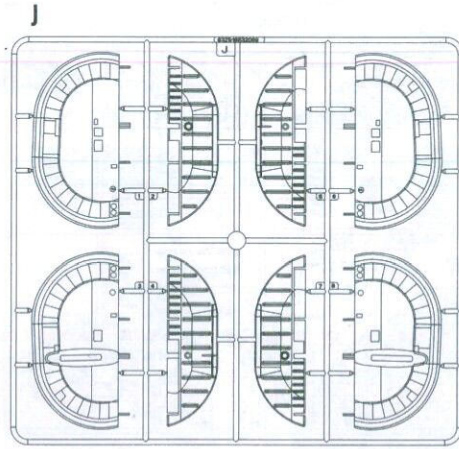
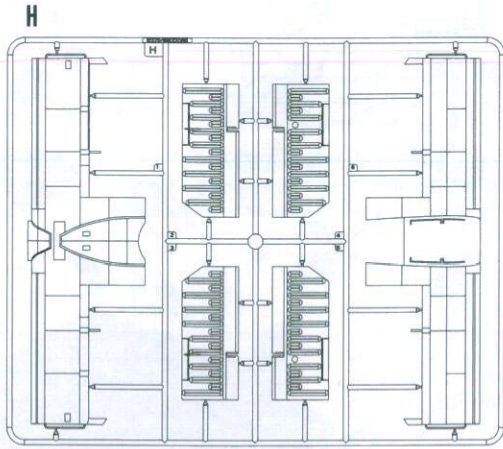


install it first
先装

部品图 Parts

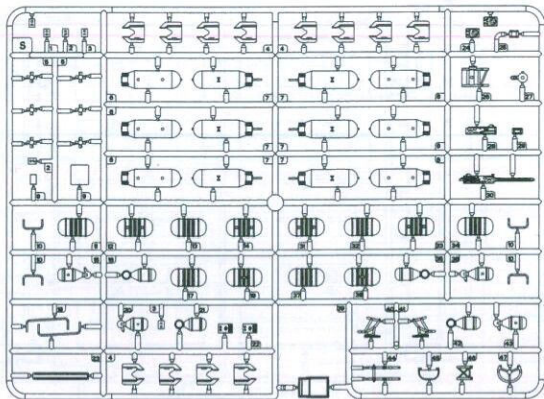


部品图 Parts

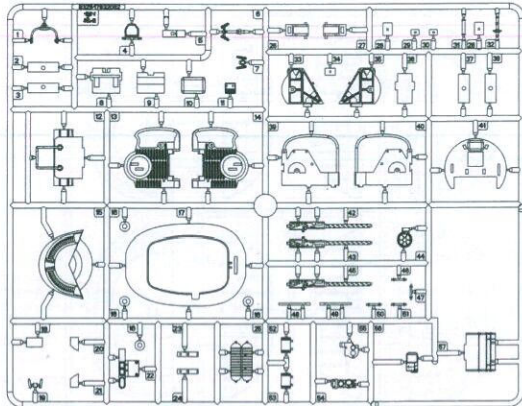


部品图
Parts

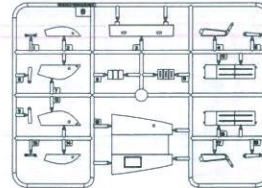
Sx2



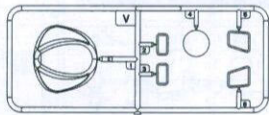
Z



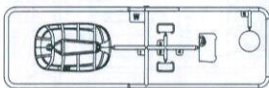
B



V



W



《水贴》
Decal



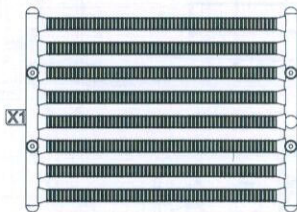
《大轮胎》
Big Tyre X2



《小轮胎》
Small Tyre



XI



《起落架》1#
Undercarriage



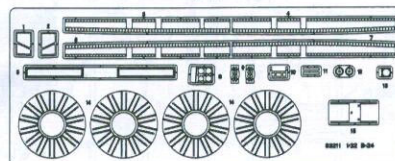
《起落架》2#
Undercarriage



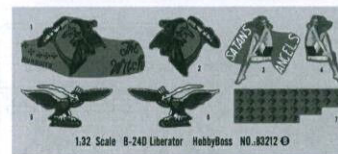
《起落架》3#
Undercarriage



《蚀刻片》
PE



A



B

1
STEP

H 2 2
黑色
Black

N35

PE-12

N3

N4

G4

G15

F2

H 58 27
机体内部色
Interior Green

S45

S39

S41

S40

H 58 27
机体内部色
Interior Green

H 58 27
机体内部色
Interior Green

S44

S46

弯曲
Bend

制作2组
Make two

H 123
深绿色
RLM83 Dark Green

贴纸
Decal(26)

H 52 12
橄榄褐
Olive Drab(1)

H 58 27
机体内部色
Interior Green

H 58 27
机体内部色
Interior Green

M2

弯曲
Bend

P20

S47

H 12 33
消光黑
Flat Black

PE-9 X 4

N36

N28

PE-1
对侧 PE-2
Opposite PE-2

弯曲
Bend

<<A-A>>

M4

H 58 27
机体内部色
Interior Green

P21

P10

2
STEP

H 75 25
灰银色
Dark Seagray

Q47

Q48
《小轮胎》
Small Tyre

Q49

Q50

Q51
《起落架》1#
Undercarriage

Q37

Q36

H 8 8
银色
Silver

Q43

Q42

Q46

H 58 27
机体内部色
Interior Green

F7

弯曲
Bend
PE-5

Q40

Q39

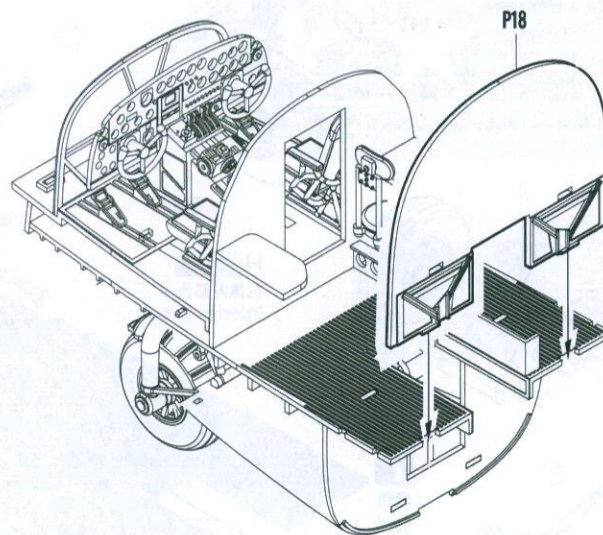
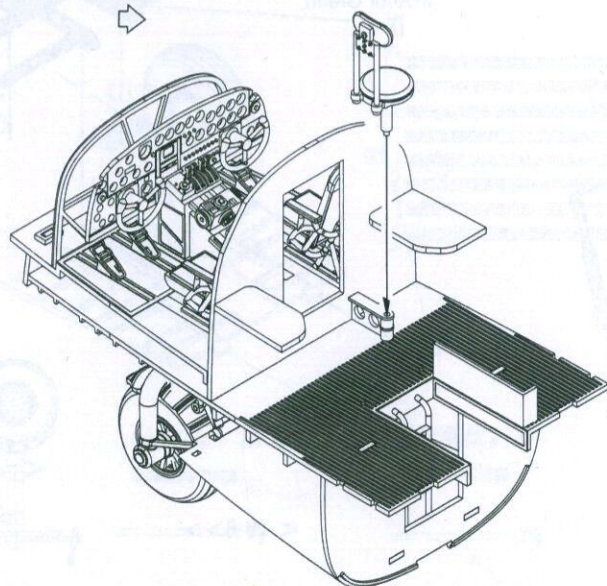
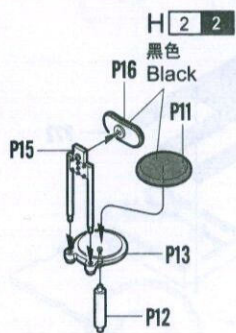
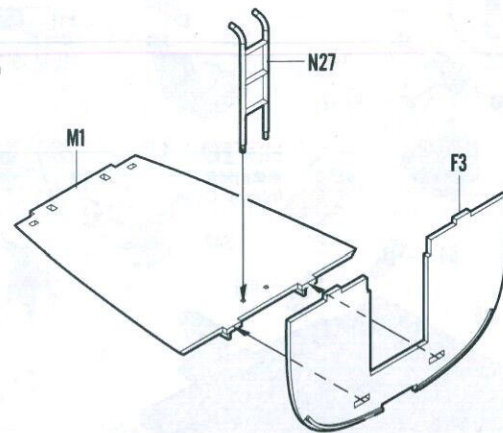
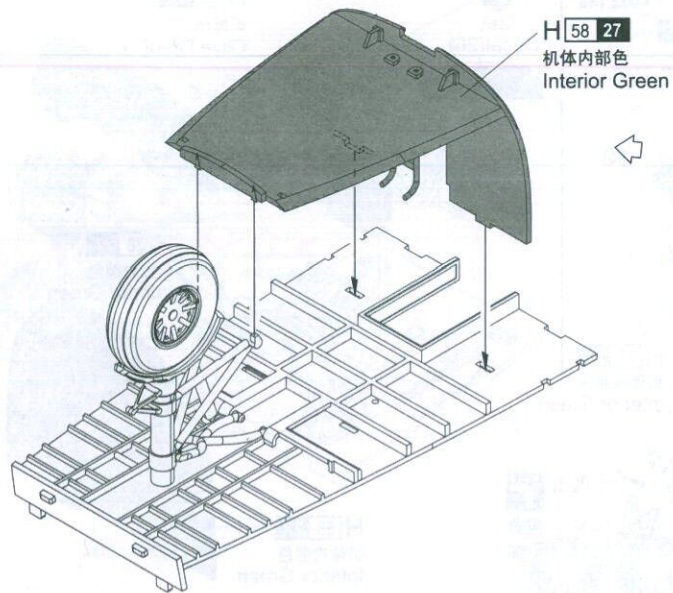
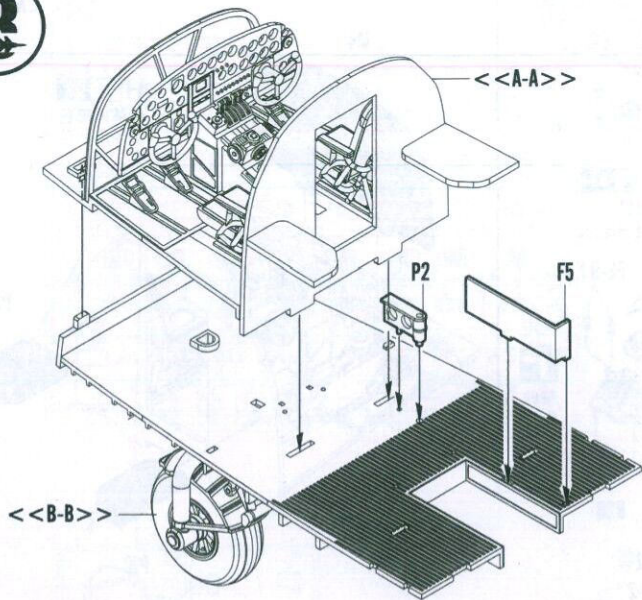
H 58 27
机体内部色
Interior Green

P22

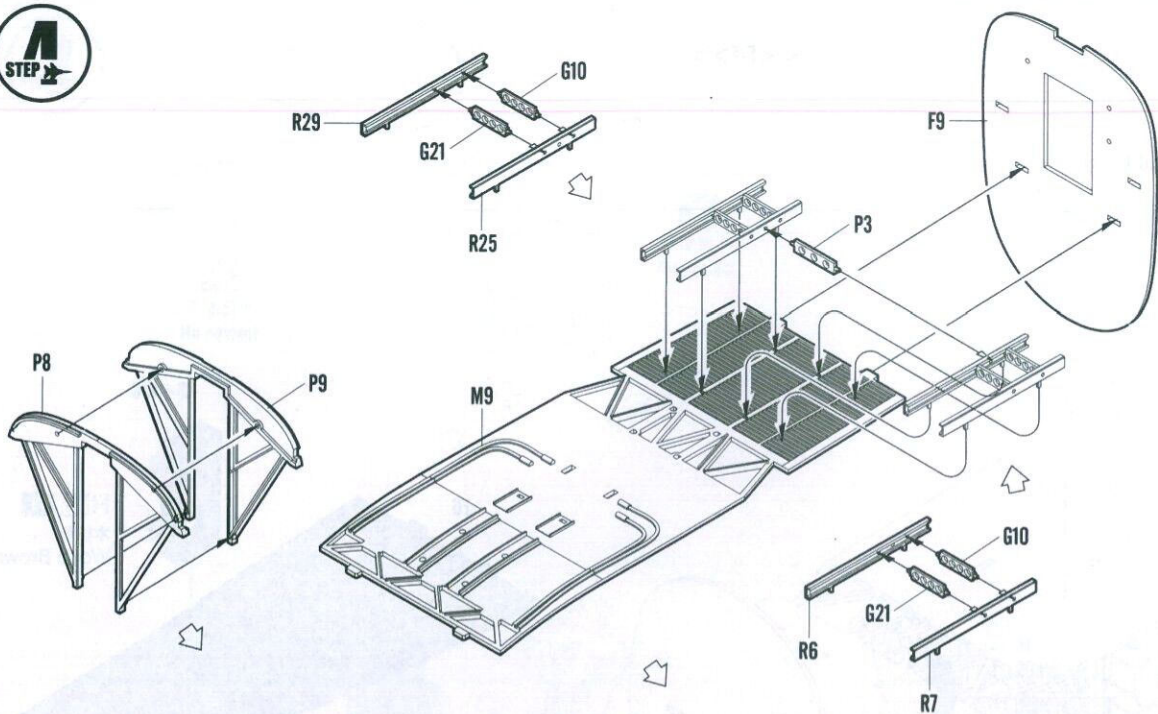
B3

<<B-B>>

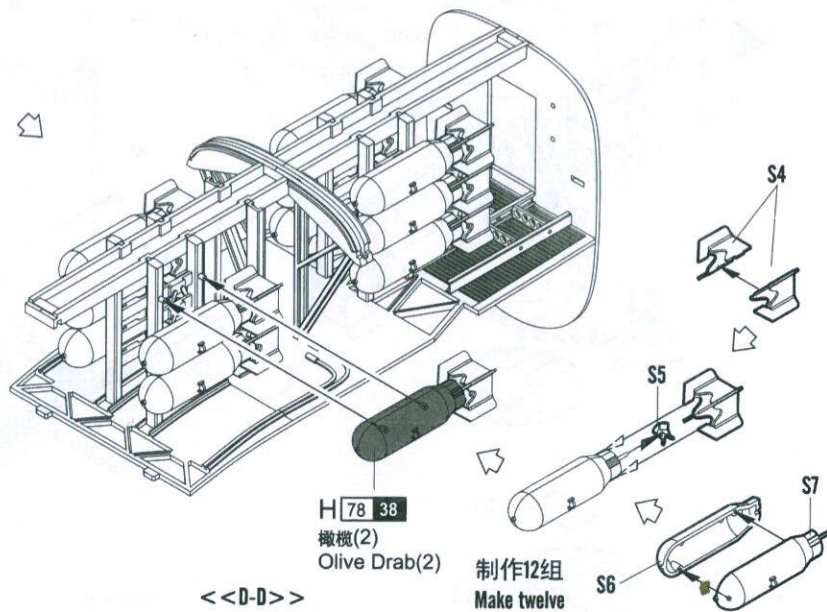
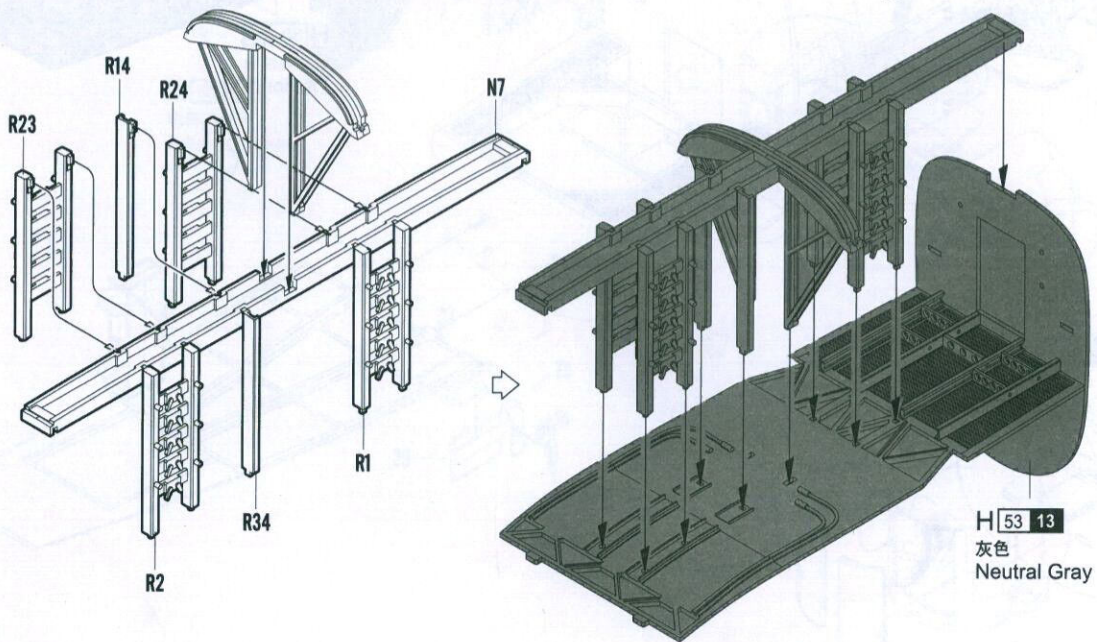
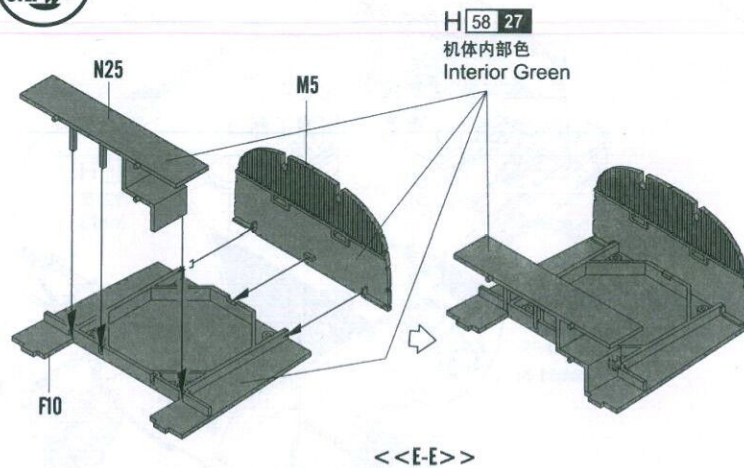
3
STEP



STEP 4



STEP 5



6
STEP

<<F-F>>

<<C-C>>

K8 + K16

H 37 43
木棕色
Wood Brown

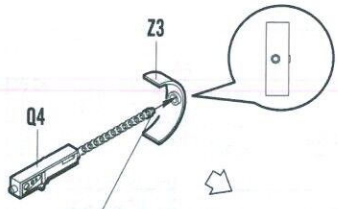
F6

H 58 27
机体内部色
Interior Green

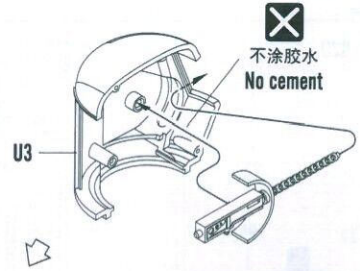
<<D-D>>

<<E-E>>

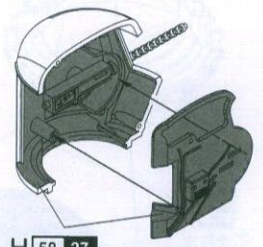
7 STEP



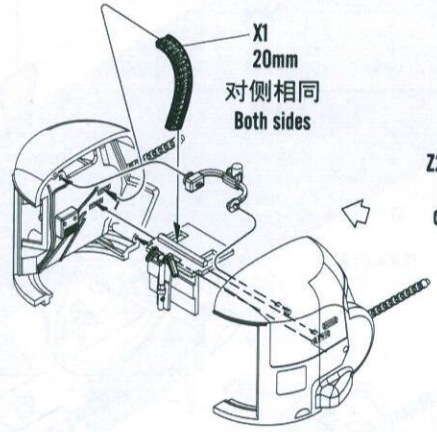
不涂胶水
No cement



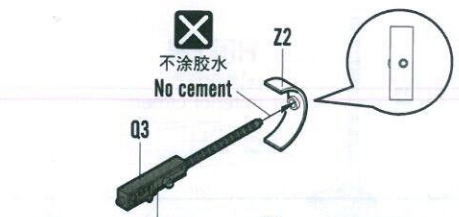
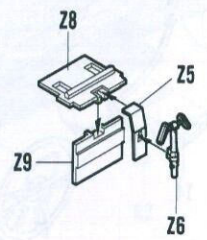
不涂胶水
No cement



H[58 27]
机体内部色
Interior Green

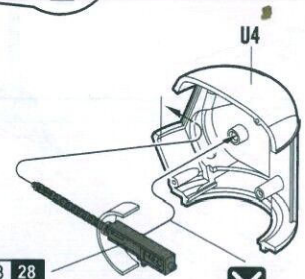


对侧相同
Both sides



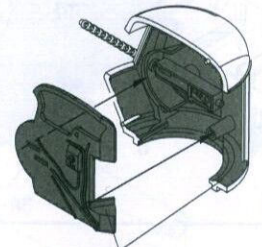
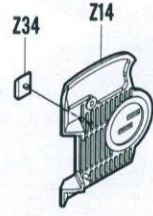
不涂胶水
No cement

H[18 28]
黑铁色
Steel

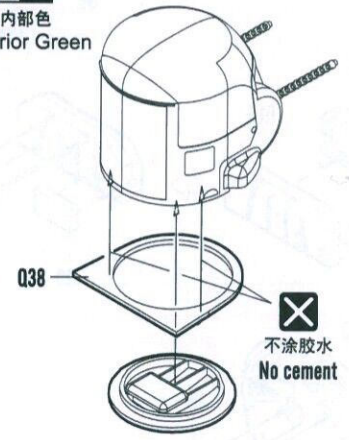
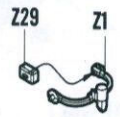


不涂胶水
No cement

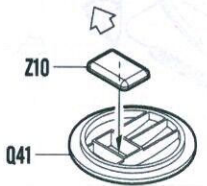
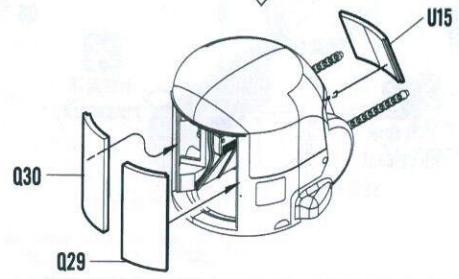
H[18 28]
黑铁色
Steel



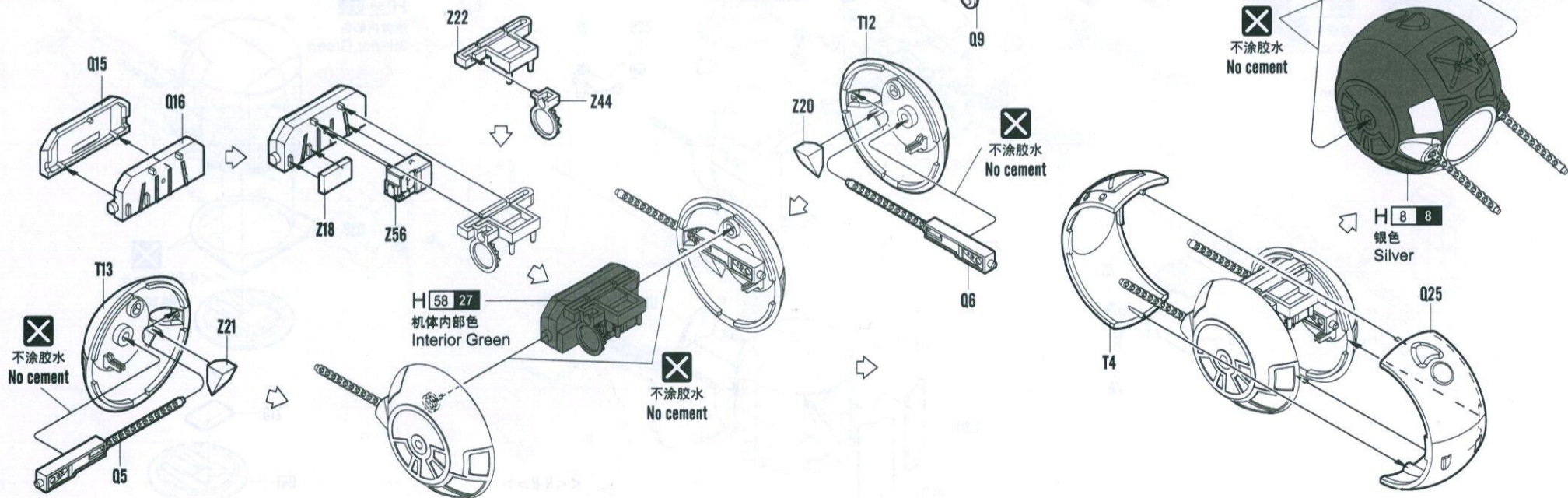
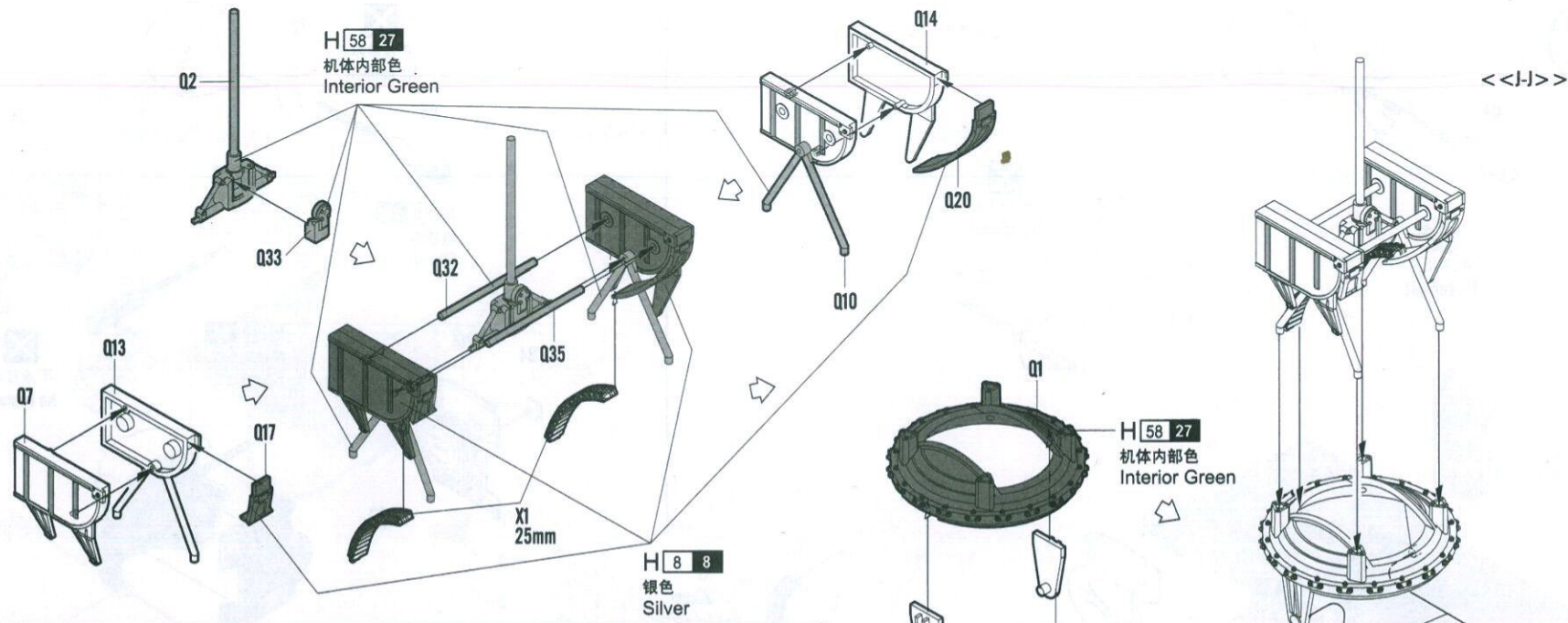
H[58 27]
机体内部色
Interior Green

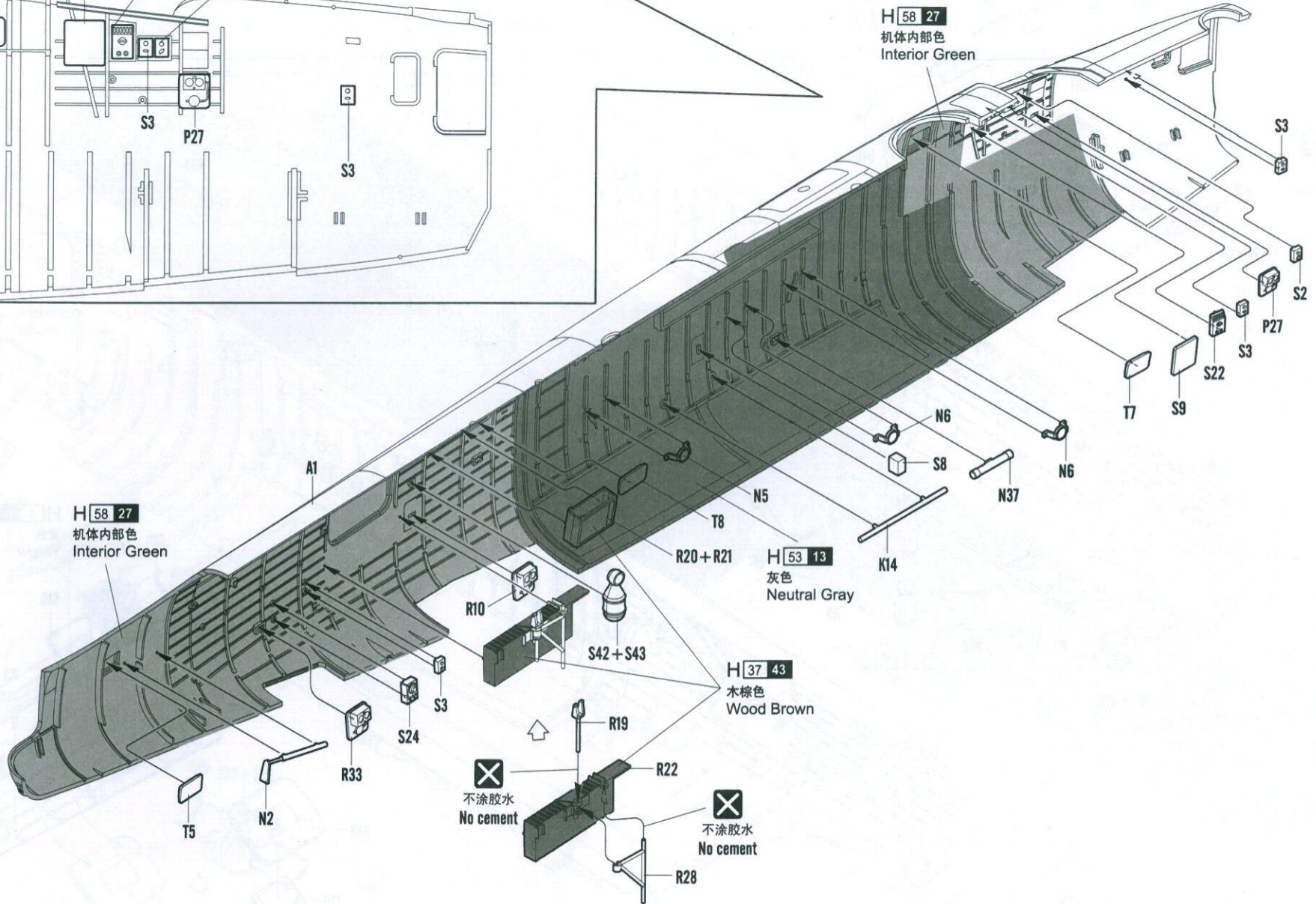
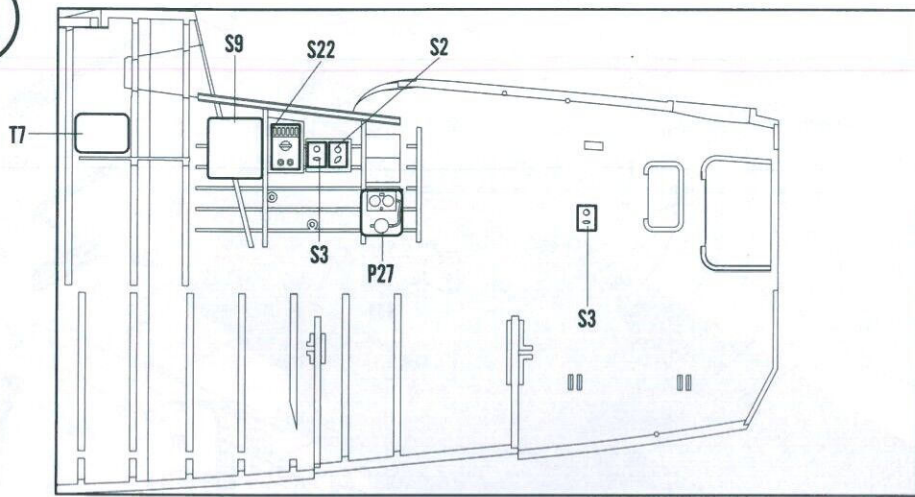


不涂胶水
No cement



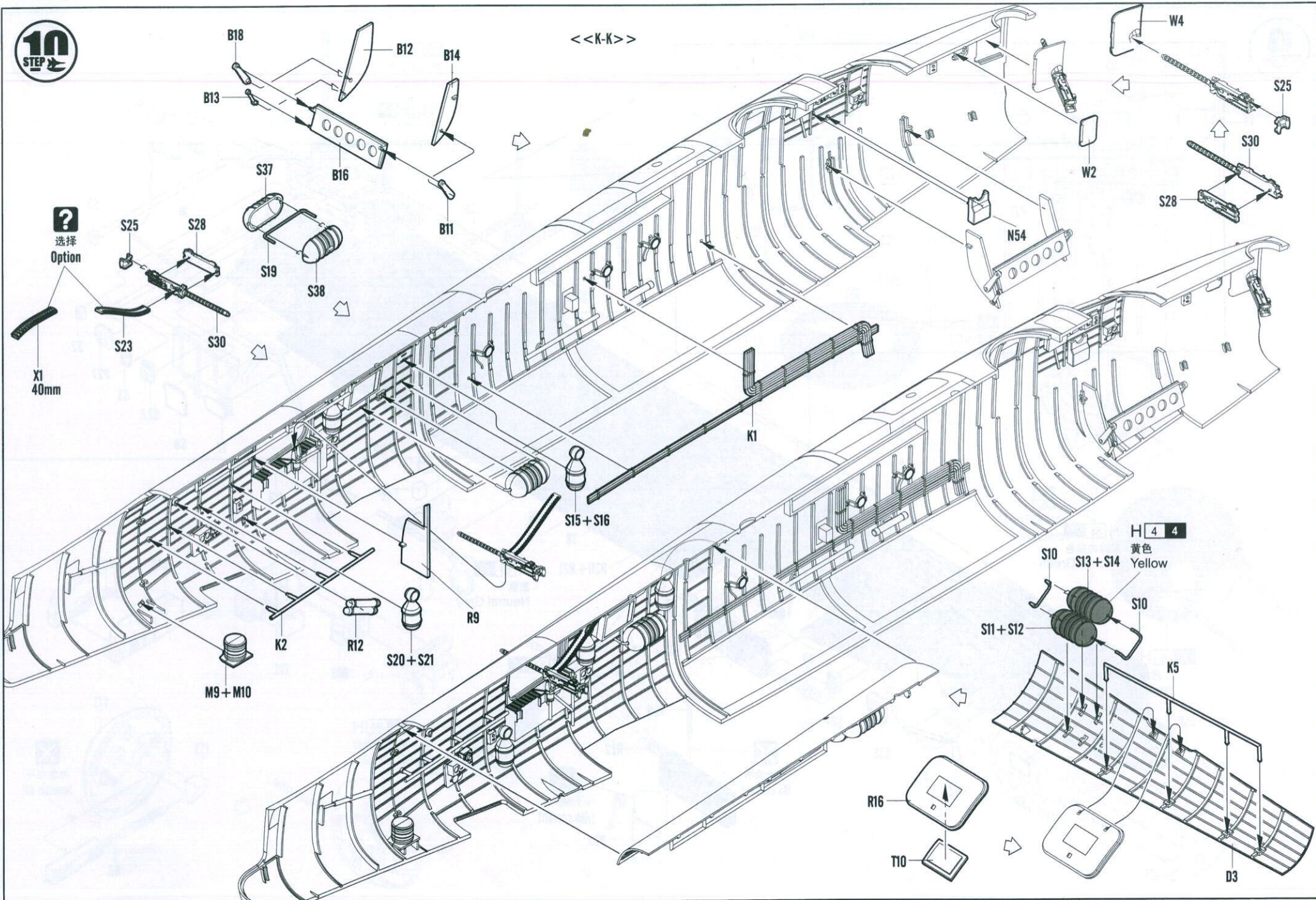
<<H-H>>

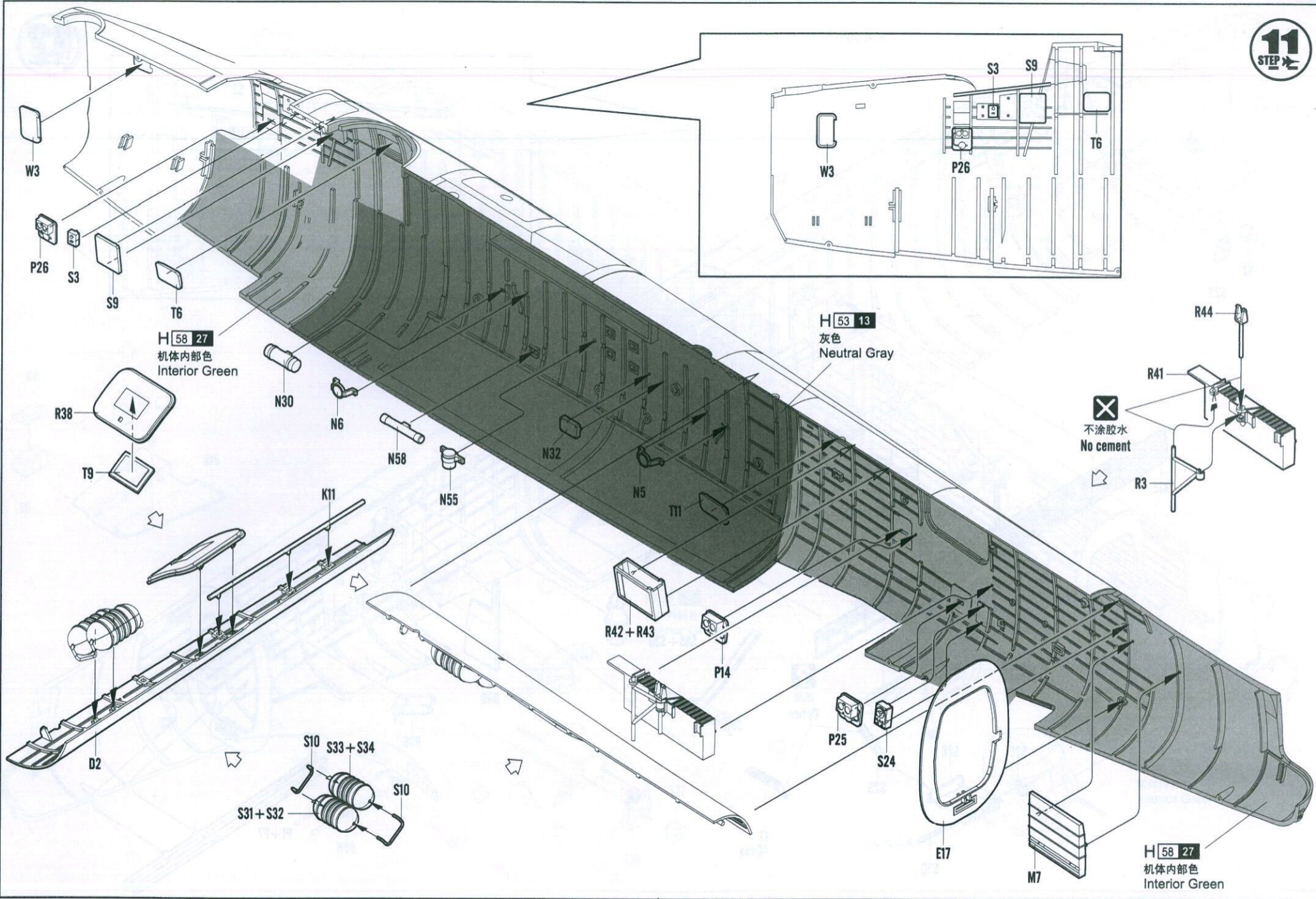


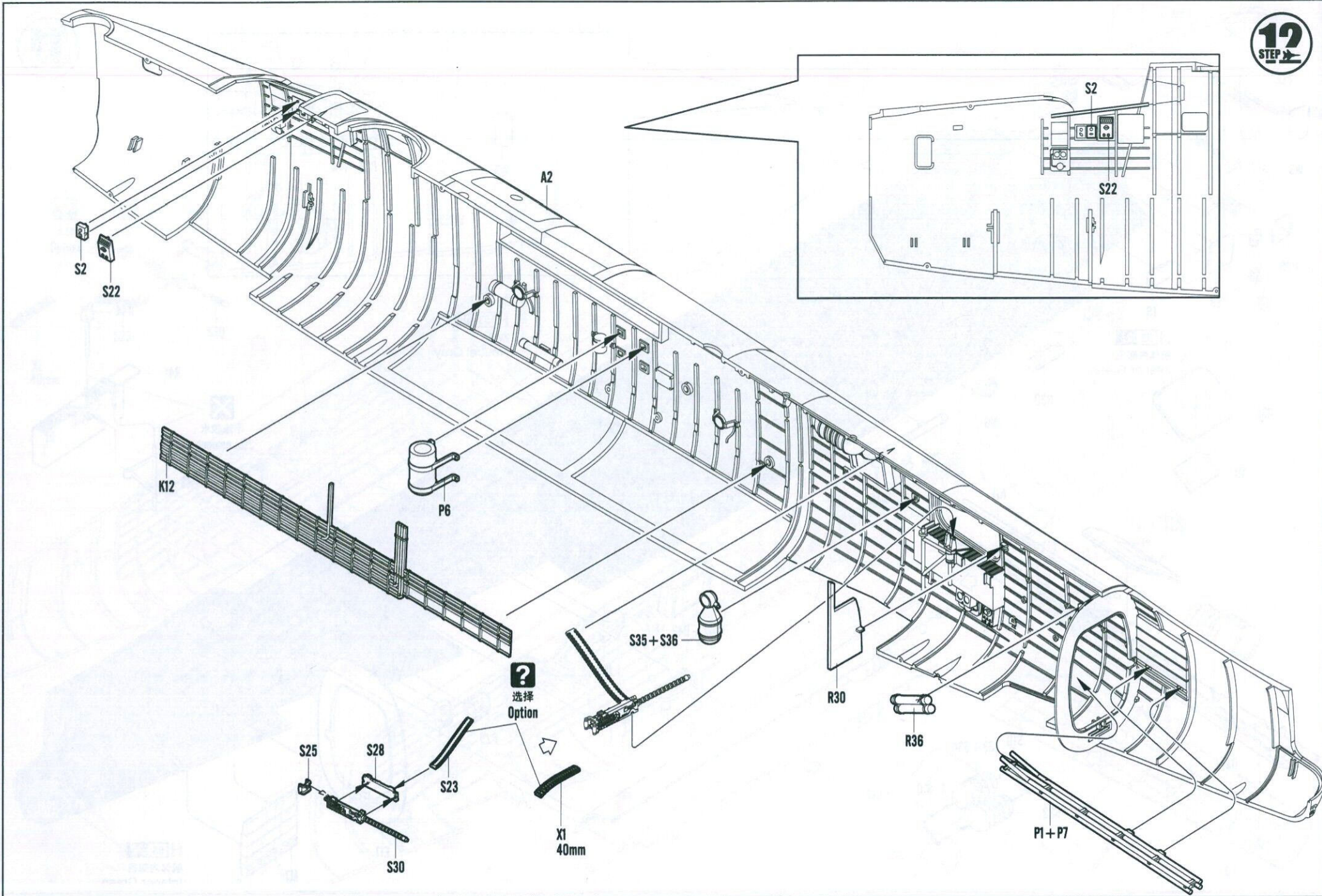


10
STEP

<<K-K>>

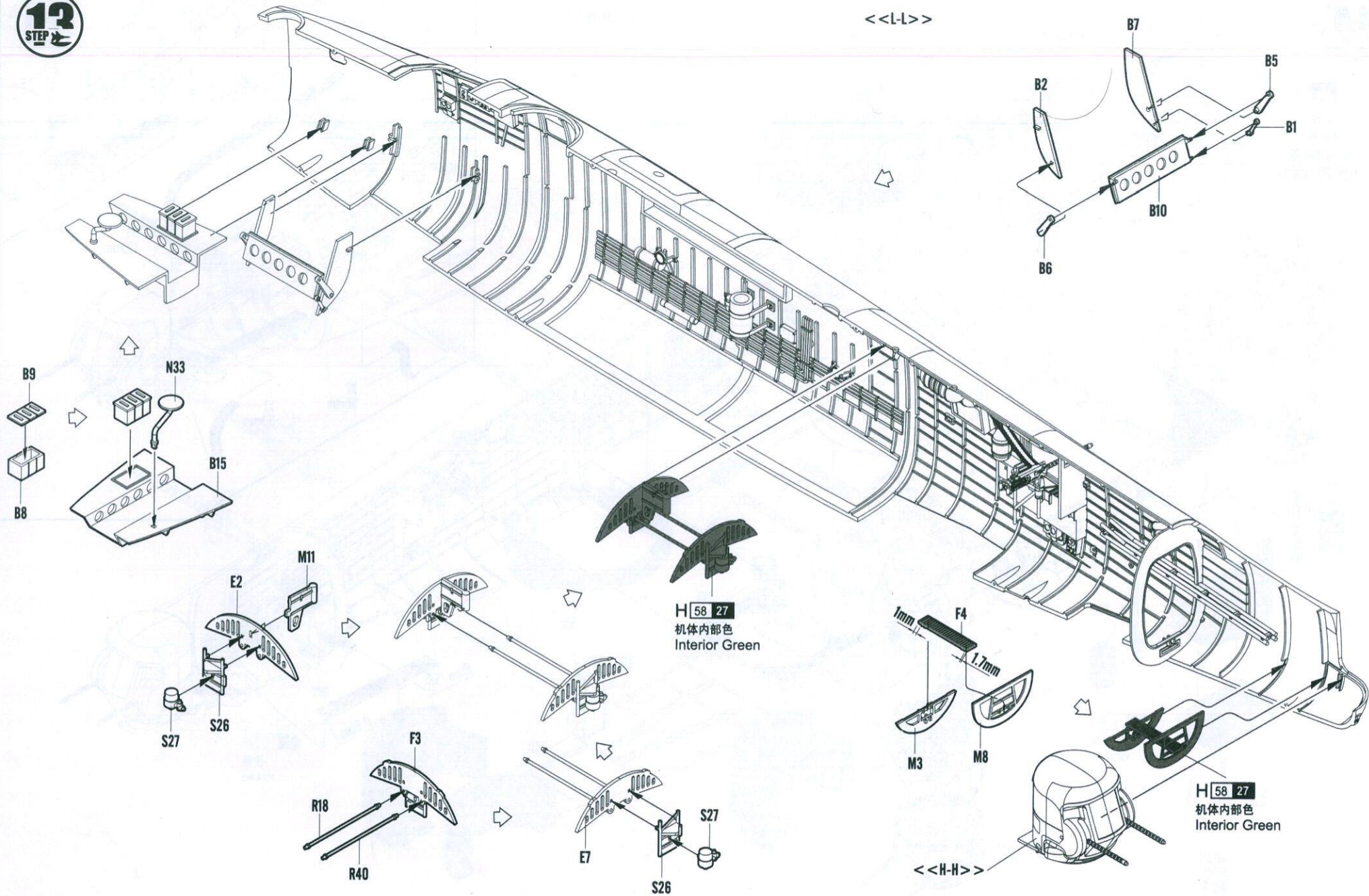






13
STEP

<<L-L>>



1/10
STEP 10



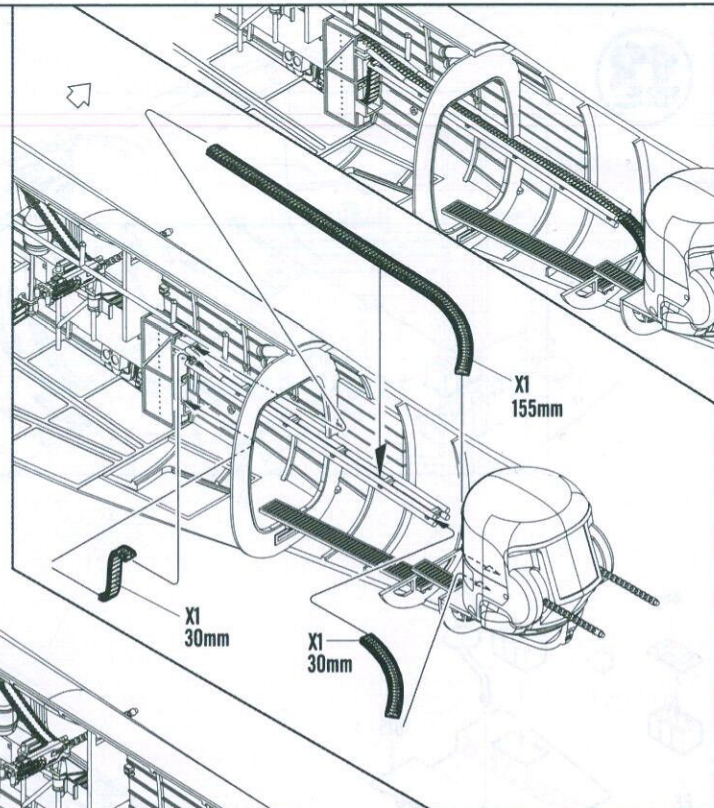
配重
Weight
配重300克
Weight 300 grams

<<M-M>>

<<L-L>>

<<F-F>>

<<J-J>>



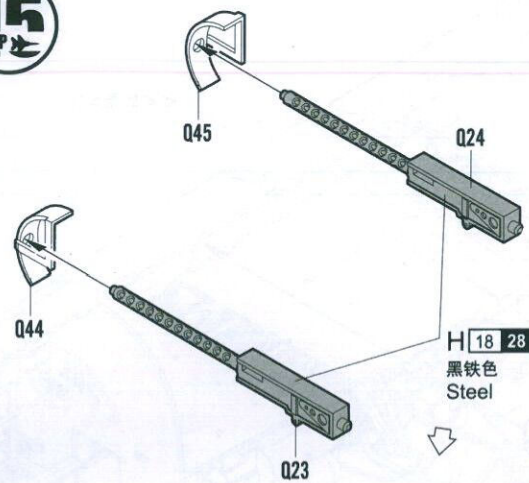
X1
155mm

X1
30mm

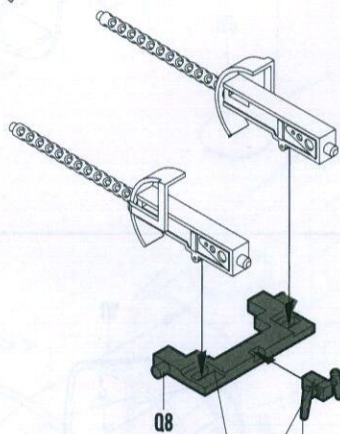
X1
30mm

6mm
F8
0.8mm

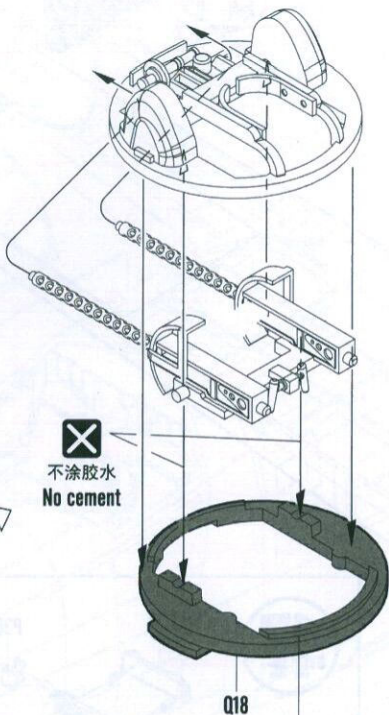
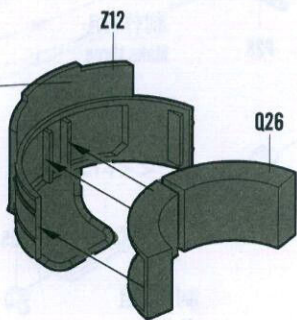
15
STEP



H 18 28
黑铁色
Steel

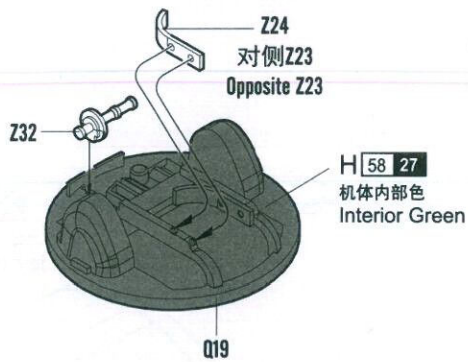


H 2 2
黑色
Black

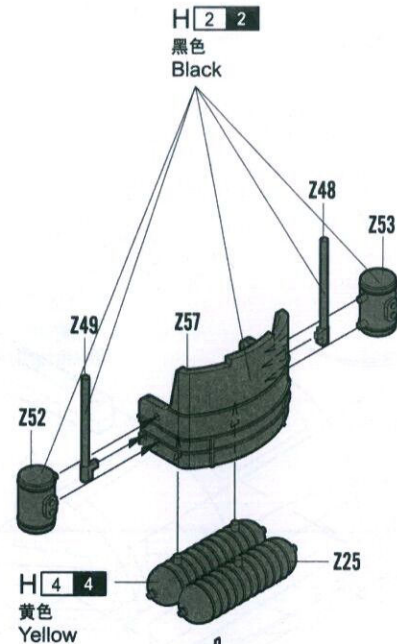
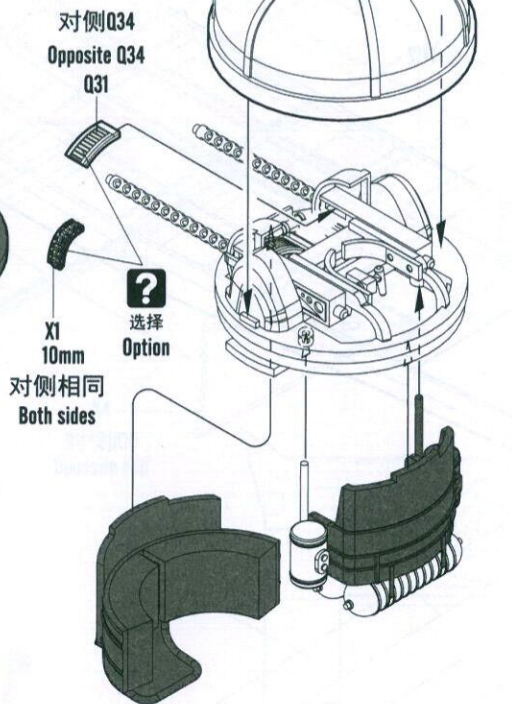


不涂胶水
No cement

H 58 27
机体内部色
Interior Green

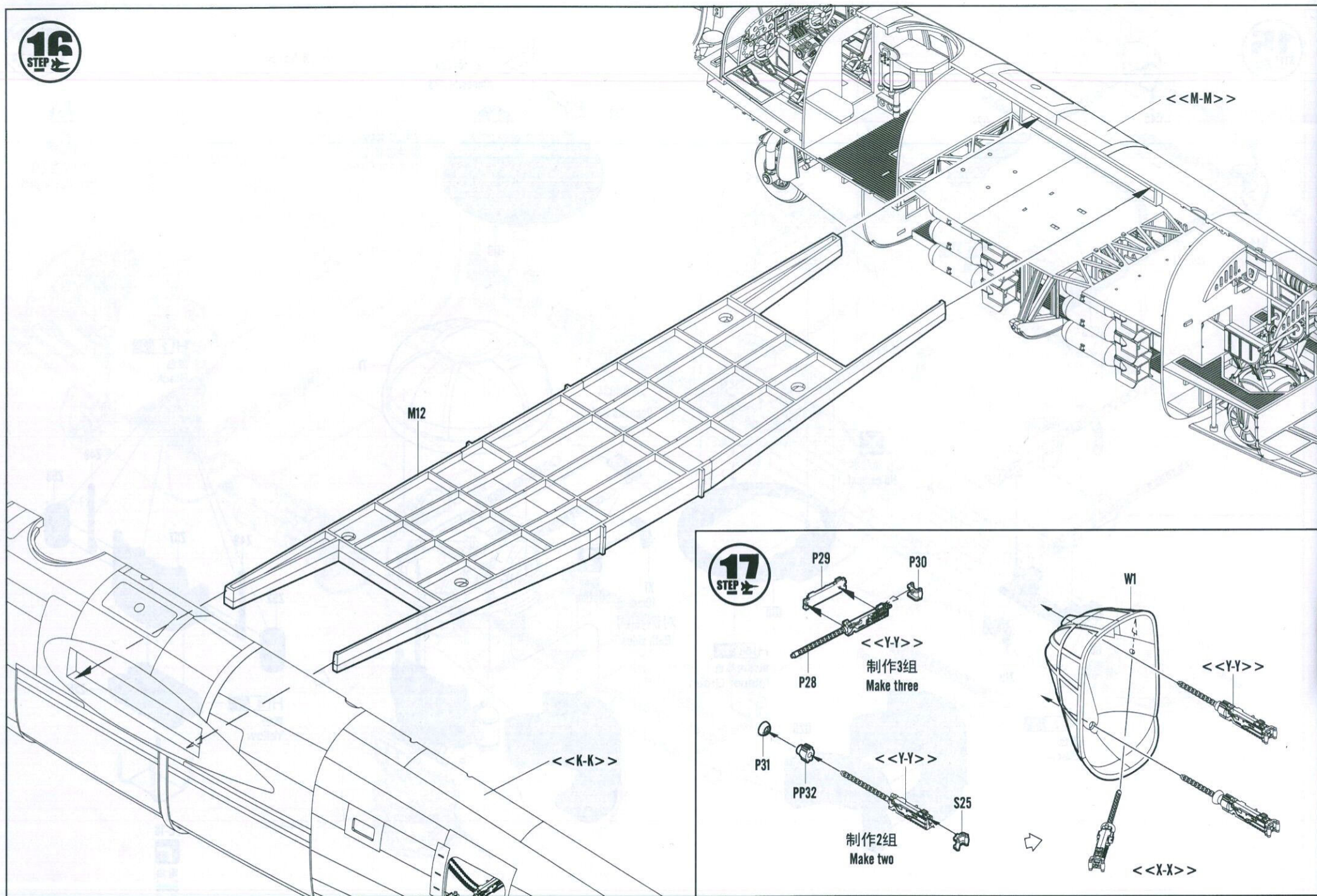


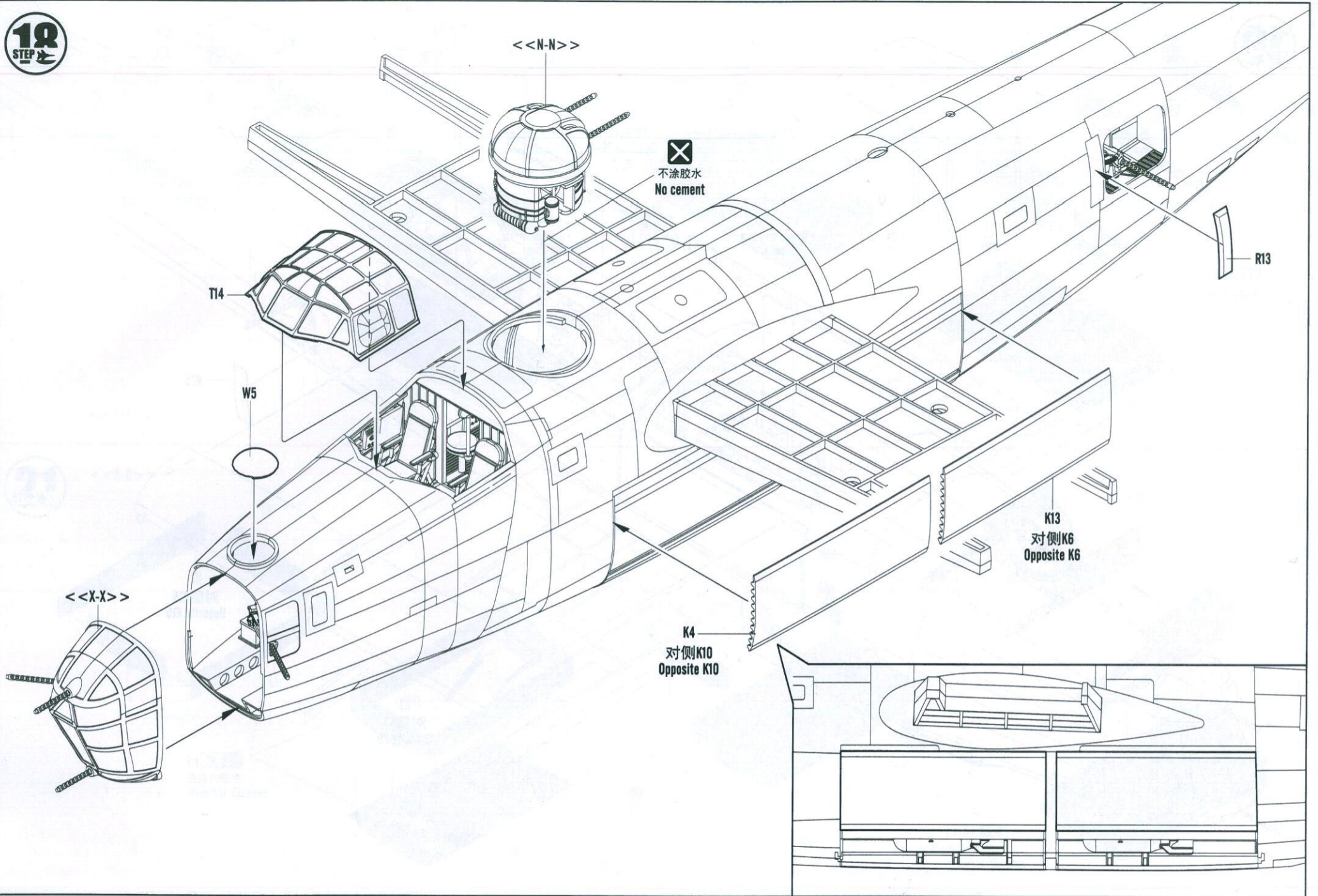
<<N-N>>

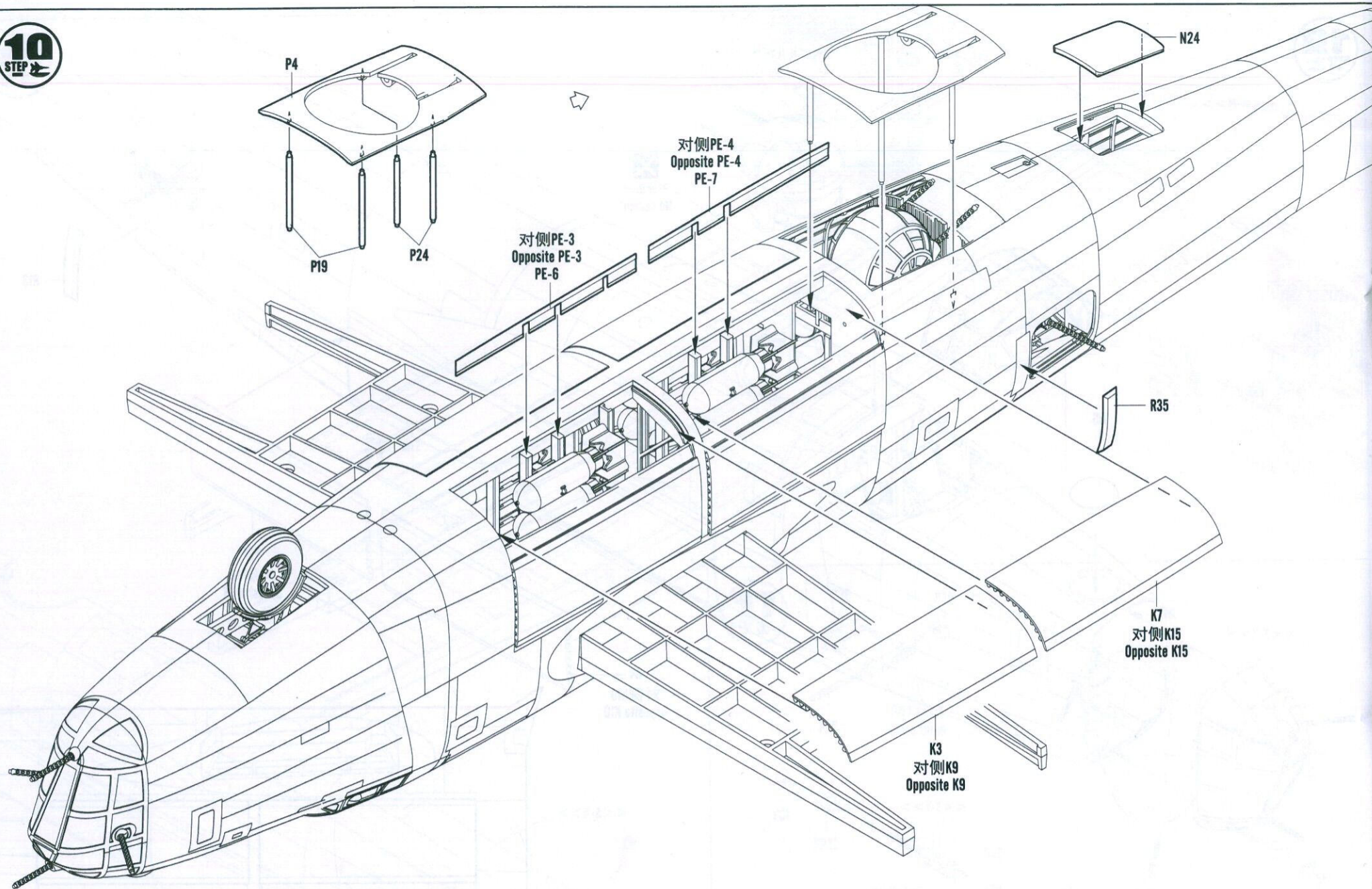


弯曲
Bend

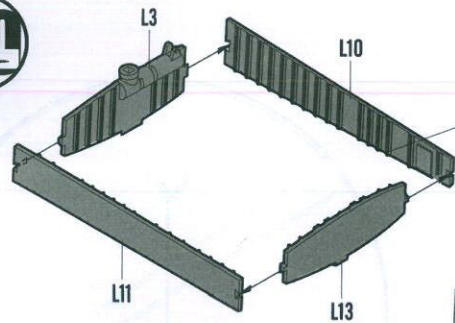
16
STEP



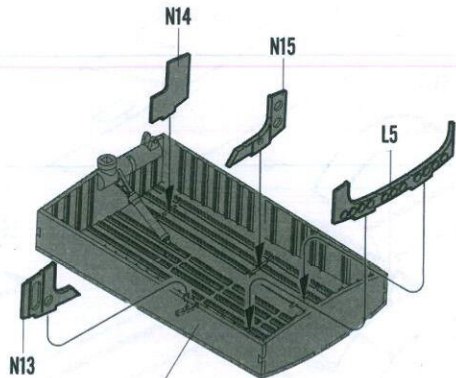
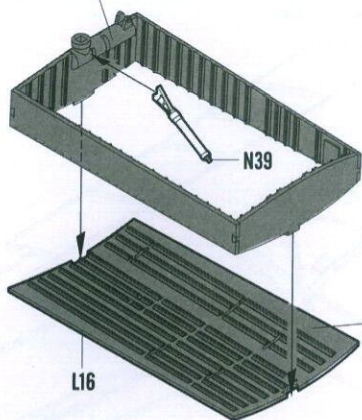




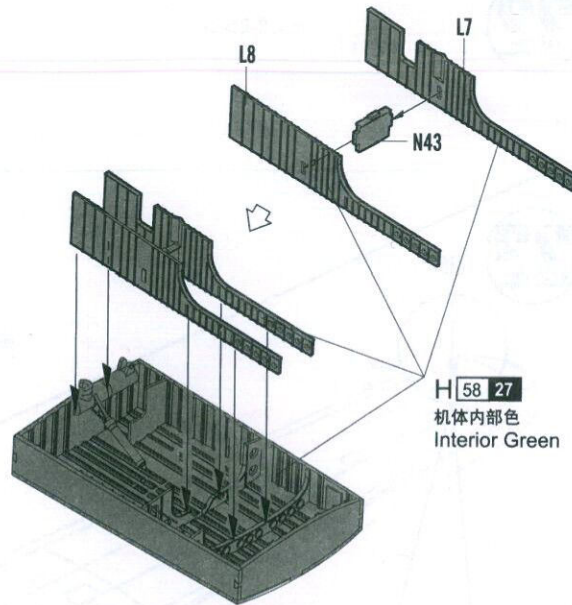
20
STEP



H 58 27
机体内部色
Interior Green



H 58 27
机体内部色
Interior Green

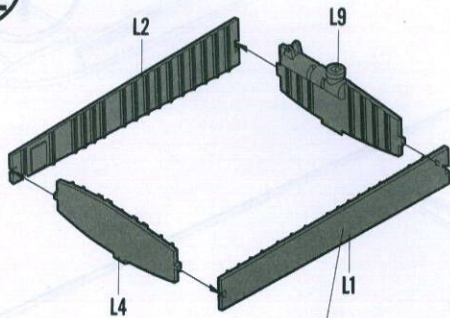


H 58 27
机体内部色
Interior Green

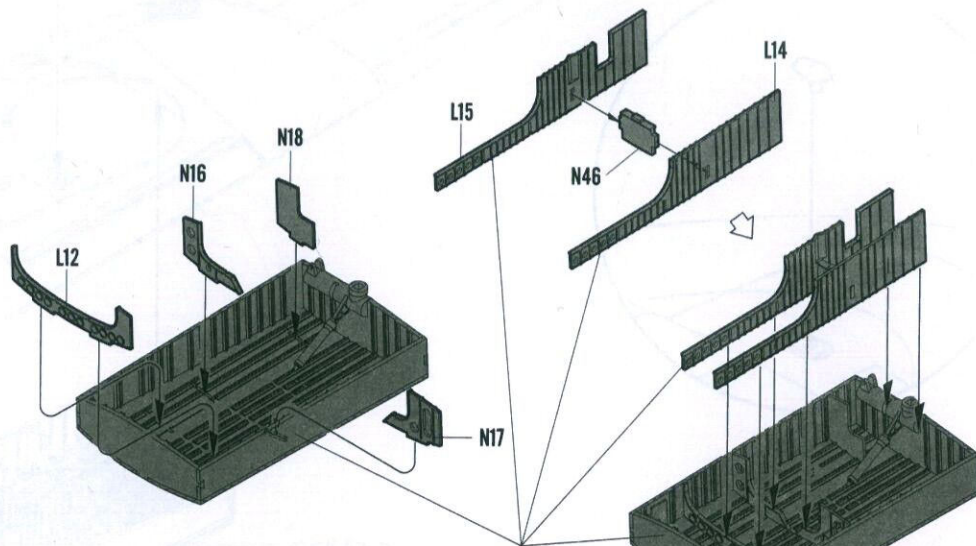
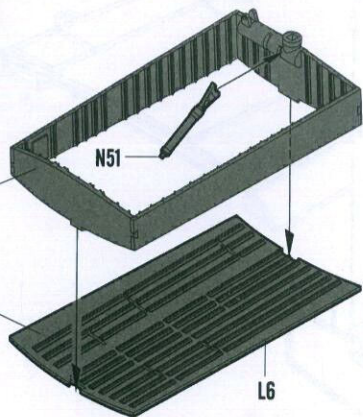
<<P-P>>

21
STEP

<<Q-Q>>



H 58 27
机体内部色
Interior Green



H 58 27
机体内部色
Interior Green

22
STEP

<<R-R>>

23
STEP

T16

G1

C4

G1

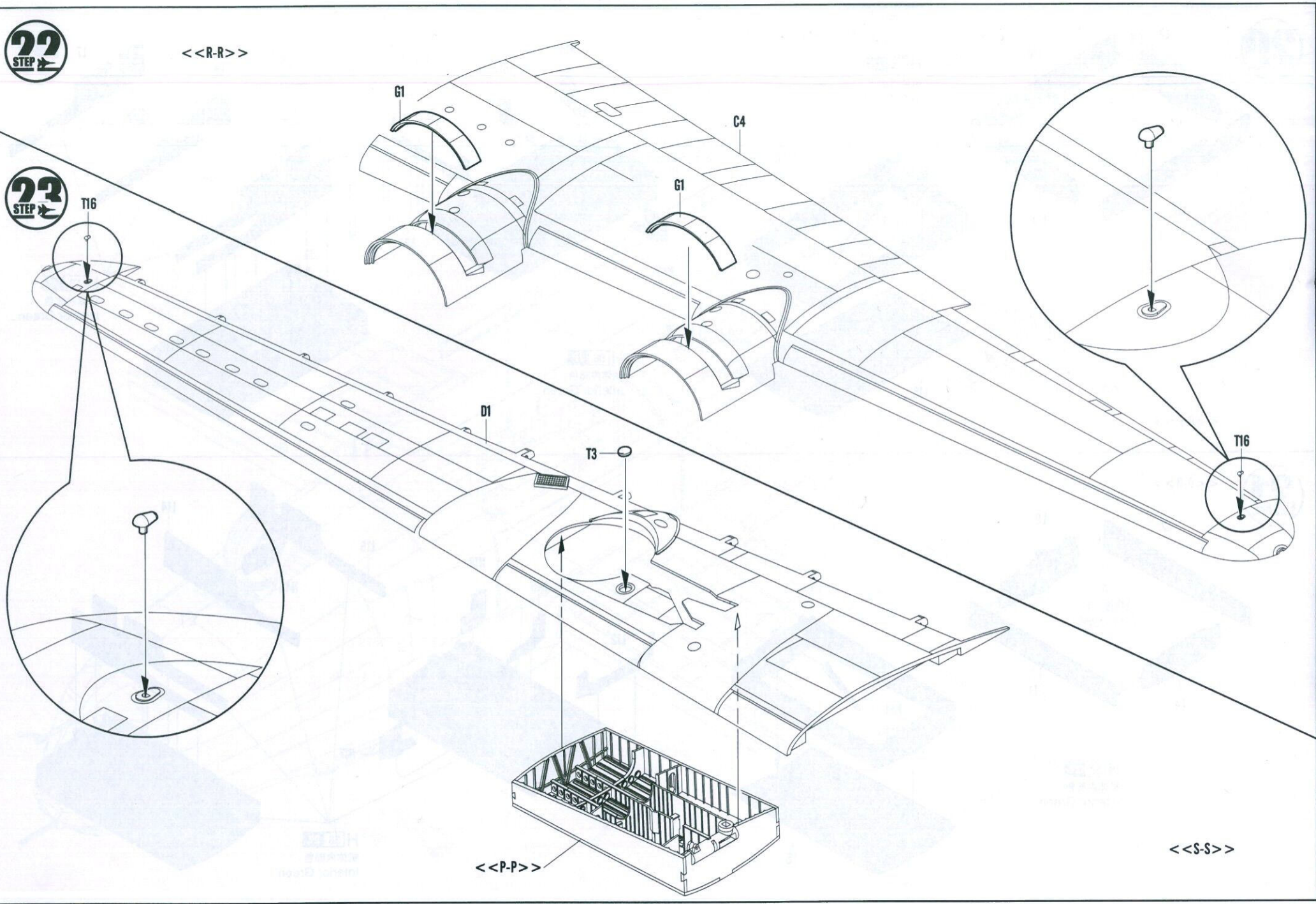
D1

T3

T16

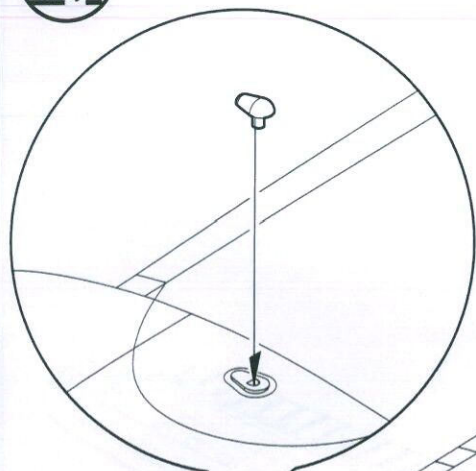
<<P-P>>

<<S-S>>

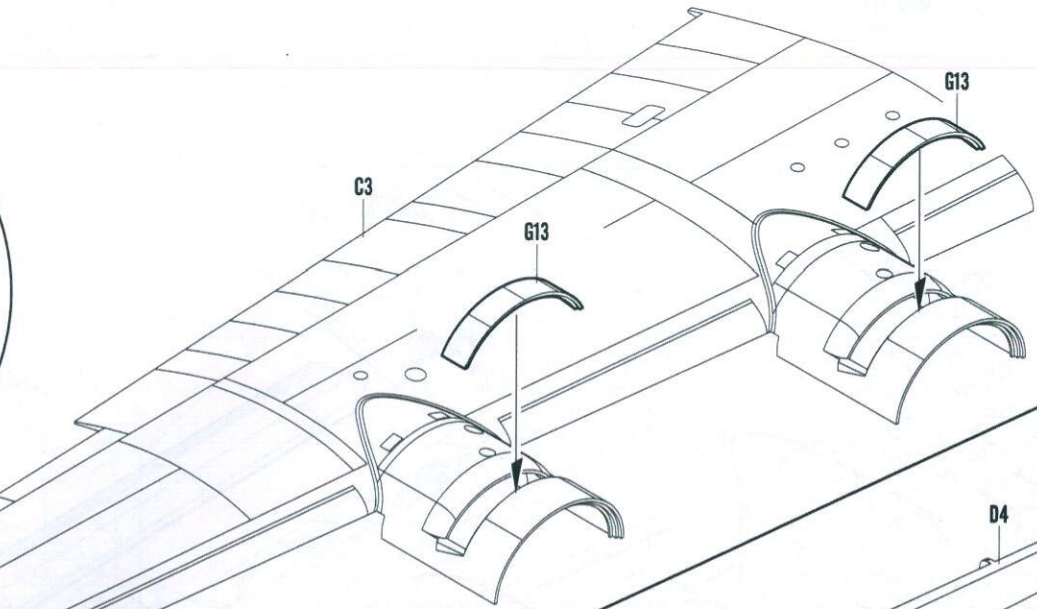
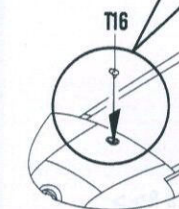


24
STEP

<<-T-T>>



T16



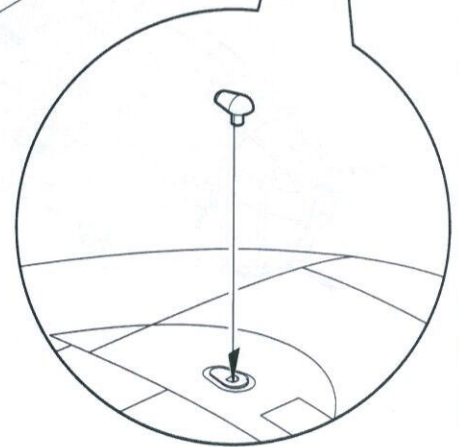
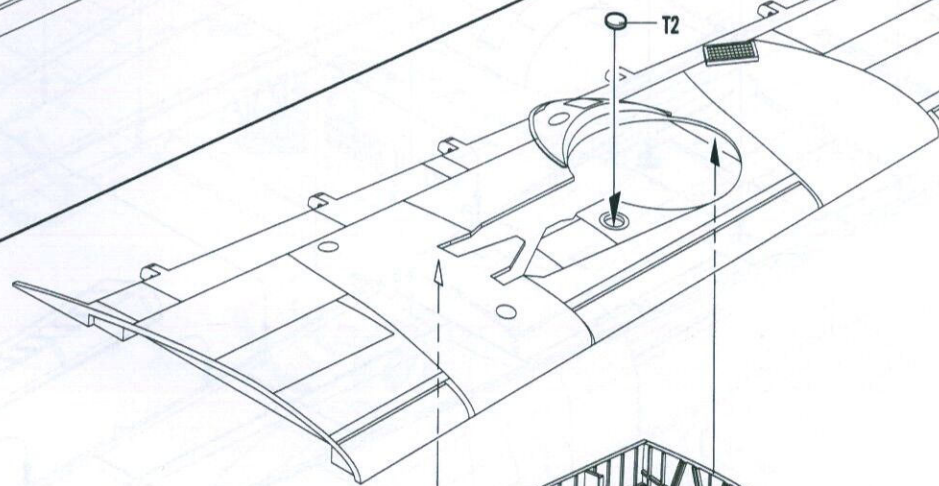
C3

G13

G13

D4

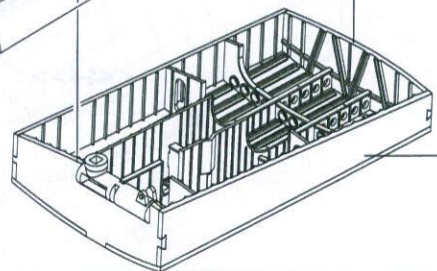
T2



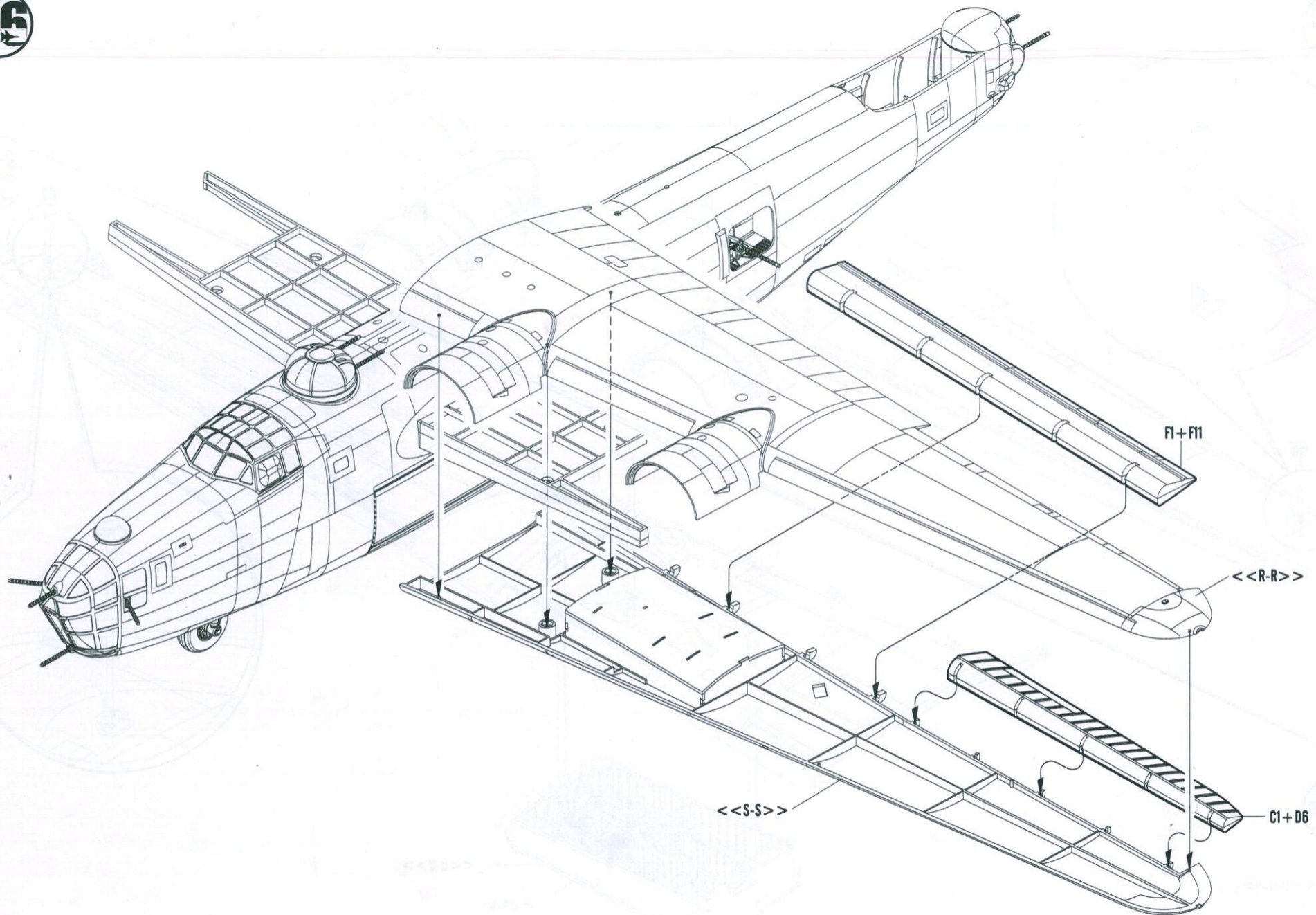
T16

25
STEP

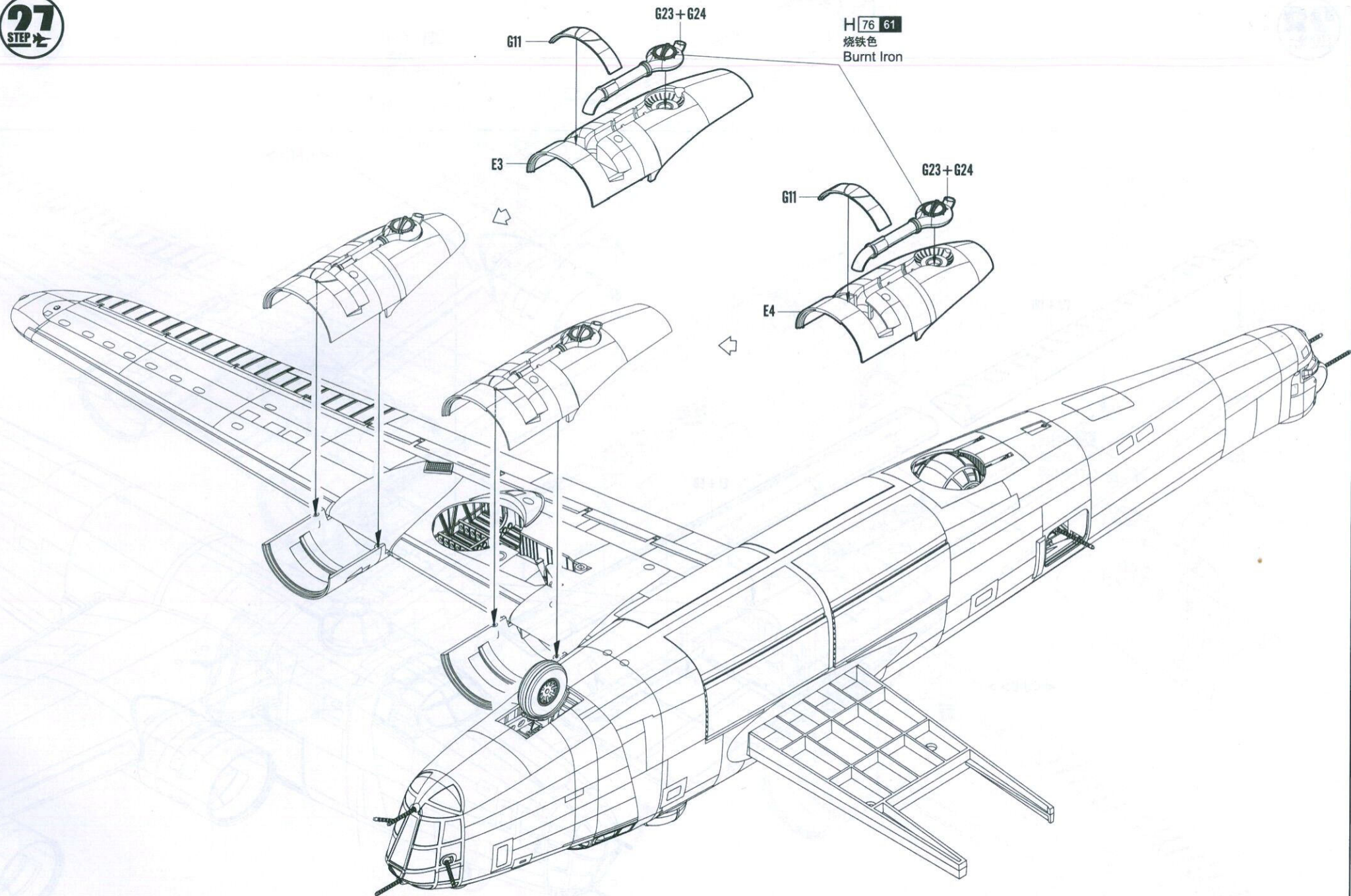
<<-U-U>>

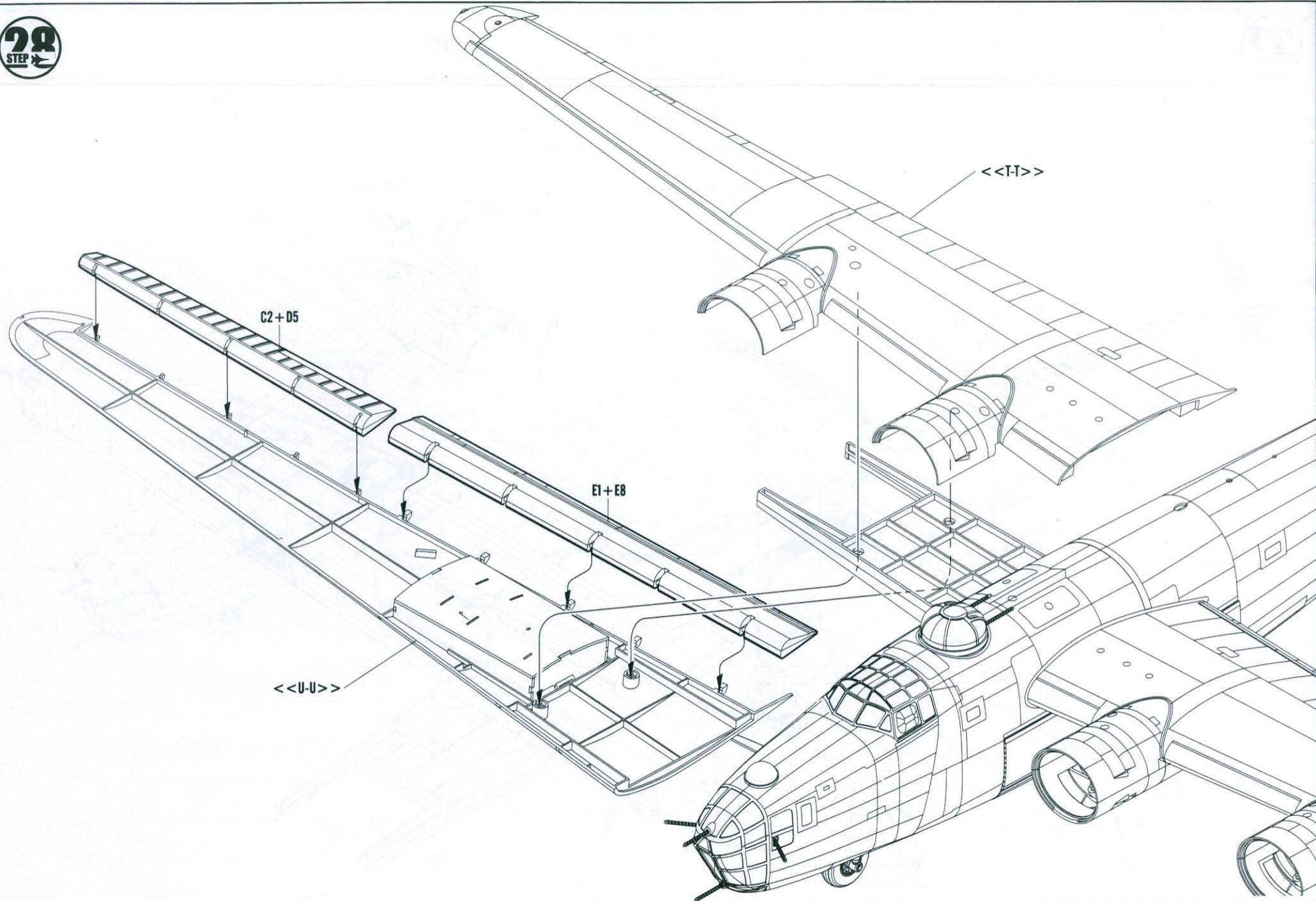


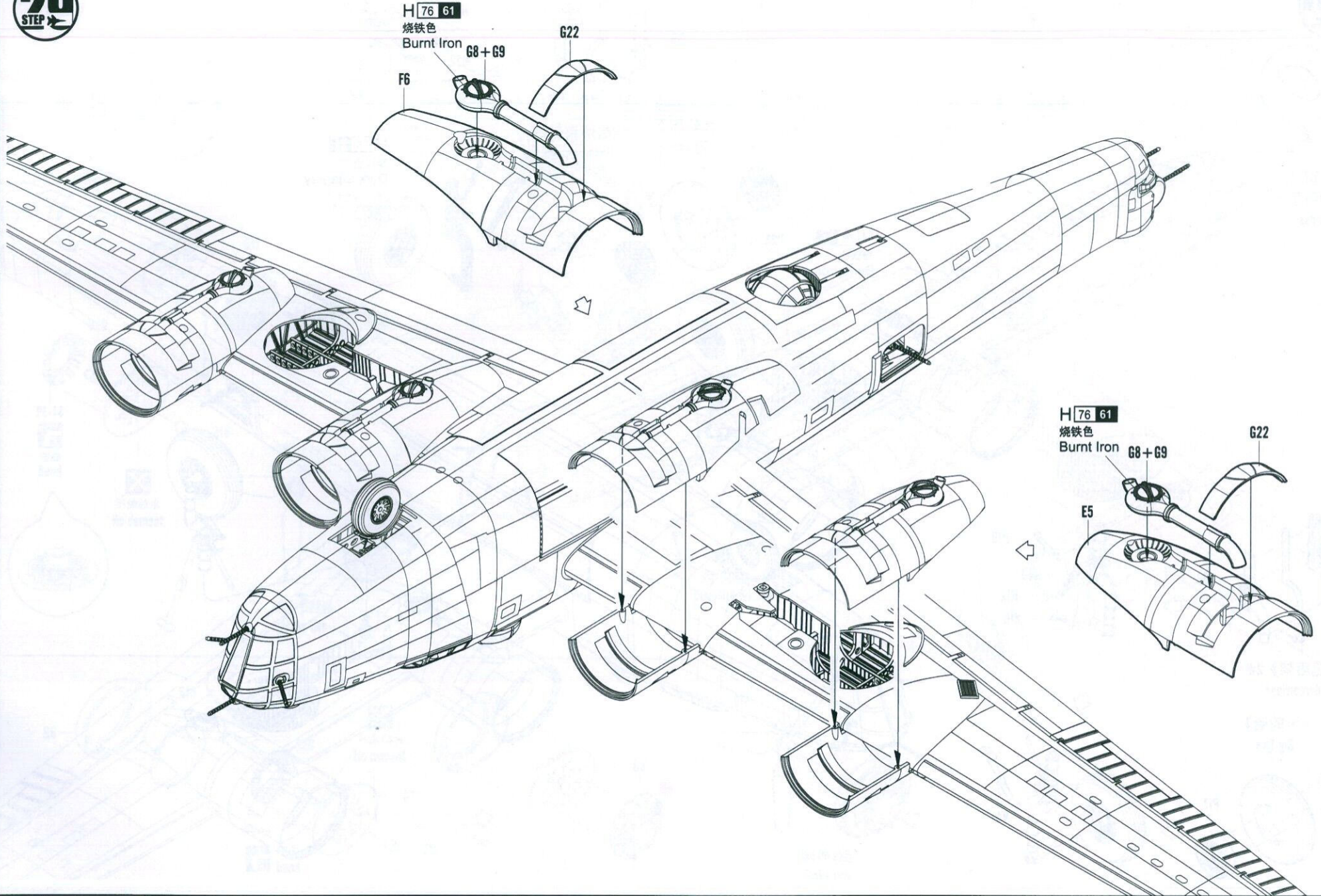
<<-Q-Q>>



27
STEP

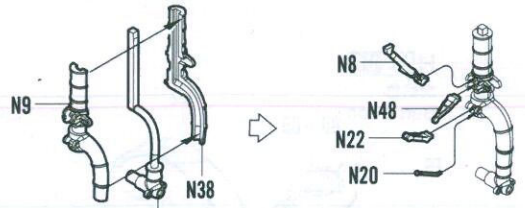






30
STEP

T17
对侧相同
Both sides

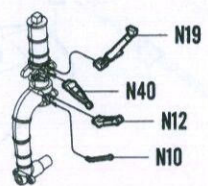
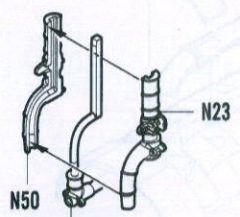
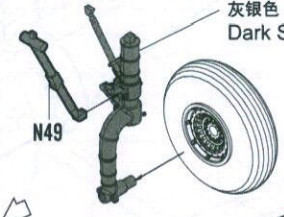
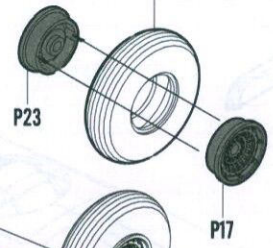


《大轮胎》
Big Tyre

《起落架》3#
Undercarriage

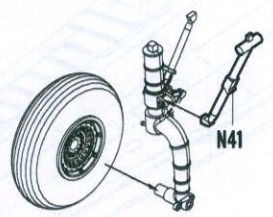
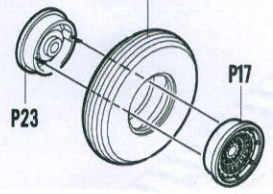
H 76 61
烧铁色
Burnt Iron

H 75 25
灰银色
Dark Seagray

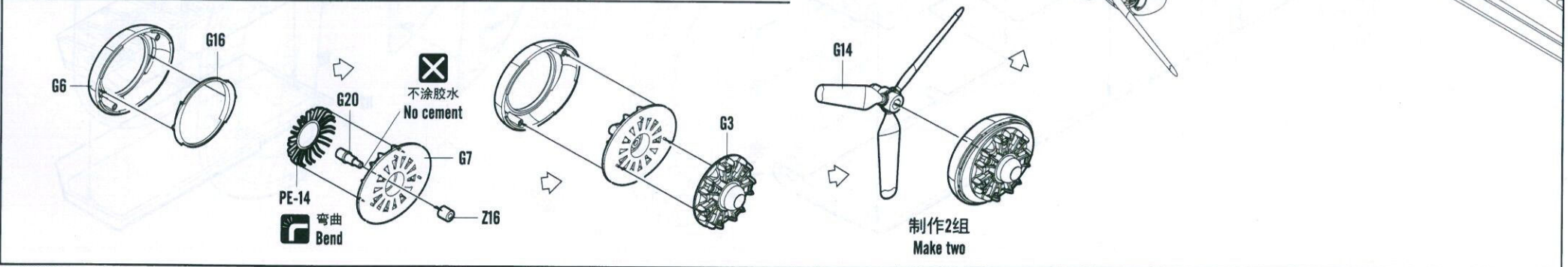
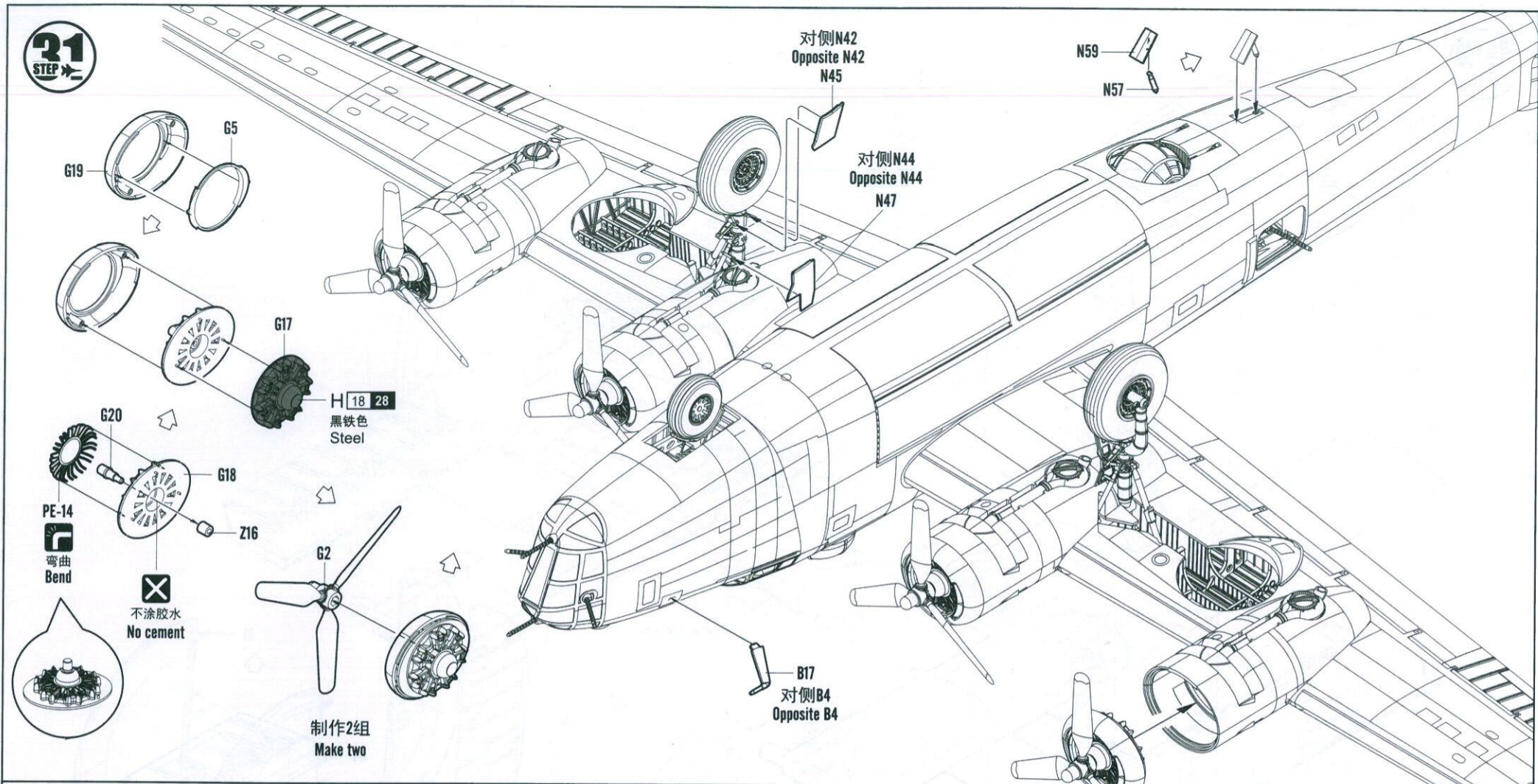


《起落架》2#
Undercarriage

《大轮胎》
Big Tyre

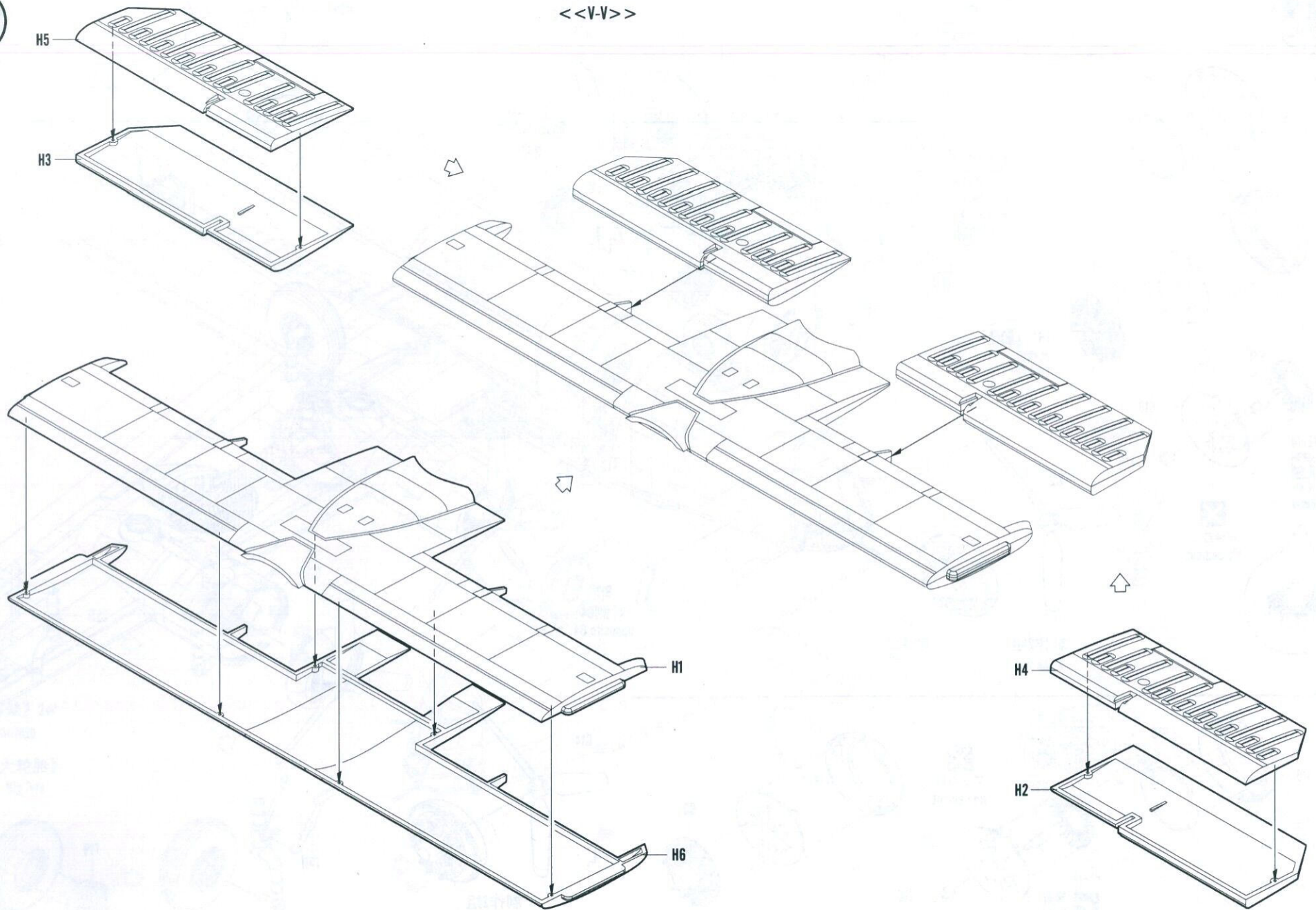


31
STEP



32
STEP

<<V-V>>



<<W-W>>

