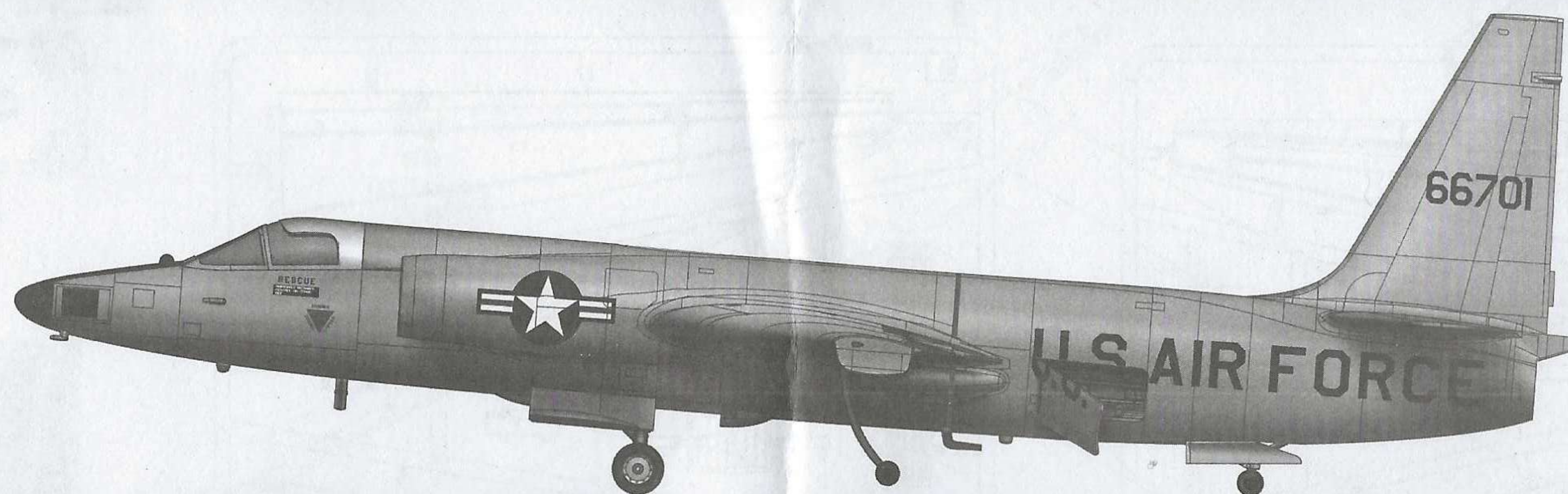


1:72 Scale

Item No.:87270



U-2A Dragon Lady

U-2A ドラゴンレディ U-2A 高空侦察机

PLEASE READ BEFORE OPERATION!

- * Tools recommended as below: (Not included)
Adhesives; Paints; Side Cutters; Sharp Edged Pliers; Modeling Knife; Modeling File; Nippers; Drill; Scissors; Sand Paper; Soft Cloth; Cyanoacrylate Glue.
- * Make sure to read this instruction listed below before assembling.
- * The kit contains the small parts, they can be dangerous if swallowed by mistake, so keep them away from reach of children.
- * Cut the all parts off carefully and remove the waste parts into the garbage can.
- * More caution and care should be needed for cutting and handling the photo etched parts.
- * Make attention that some parts should be attached the decal when assembled.
- * During assembling, please tear up and throw away the plastic bags, or may cause the dangerous if wearing over head by children's mistake.
- * When using the adhesives and paints, please do not use them in the closed room or near the fire, also must be very careful to protect your eyes, face and clothes.
- * Adult supervised when assembled by children under 14 years old.
- * 说明书中含有重要信息, 应保留。 Please Keep instruction since it contains important information.

装配前请仔细阅读:

- * 推荐使用的模型工具(请自备):
专用模型胶水, 专用模型油漆, 水口剪刀, 长咀钳, 刀片, 锉刀, 镊子钳, 钻, 剪刀, 软布, 砂纸, 瞬间快干胶等。
- * 用水口剪刀或刀片小心切下所有塑胶零件和蚀刻片零件, 不要遗失小零件。
- * 切取蚀刻片时应特别注意防止利边划伤手指。
- * 用模型锉刀小心锉平所有零件表面的注射浇口。
- * 用适量的强力快干胶水粘合蚀刻片零件和金属轴, 切忌过量, 否则可能导致可动零件被粘住。
- * 注意某些零件表面需在装配时同步贴上水贴纸。
- * 制作时应远离幼儿并将包装袋及时收妥, 谨防小孩玩耍而引起意外。

The method to apply the decals

1. Cut off the decal from the decal paper and put it into the warm water 40°C for 10 seconds.
2. Take the decal from the water and put it on a piece of clean cloth.
3. Remove the decal slowly from the paper to the targeted location by a wet finger.
4. Use a piece of dry and soft cloth to press it gently on the decal until it getting dry and no bubble existing.

水贴纸的使用方法:

- 一. 把相关的印花从水贴上剪下, 放入40°C左右的温水中浸10秒。
- 二. 然后将印花放在干净的布上。
- 三. 拿上印花纸板, 手指蘸水将印花移到适当的位置。
- 四. 用软干布轻压印花直至水干, 气泡消失。



强力胶

Cyanoacrylate glue



配重

Weight



钻孔

Make hole



切除

Cut / Remove



选择

Option



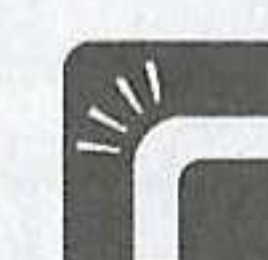
不涂胶水

No cement



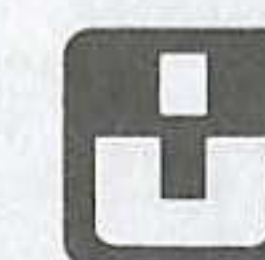
贴纸

Decal



弯曲

Bend



填补

Repair



先装

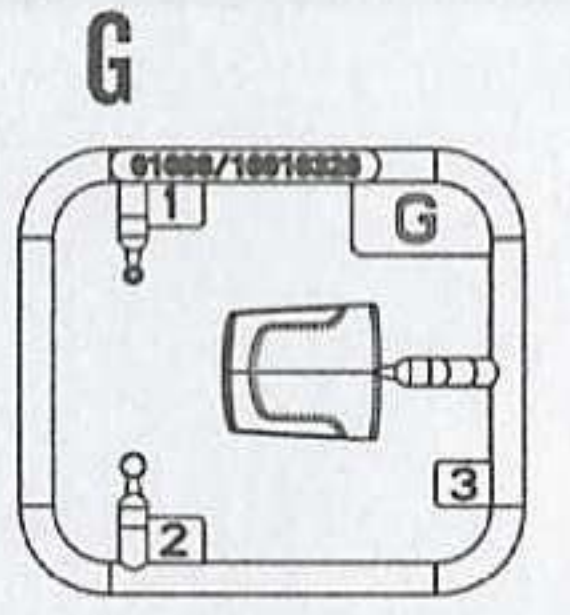
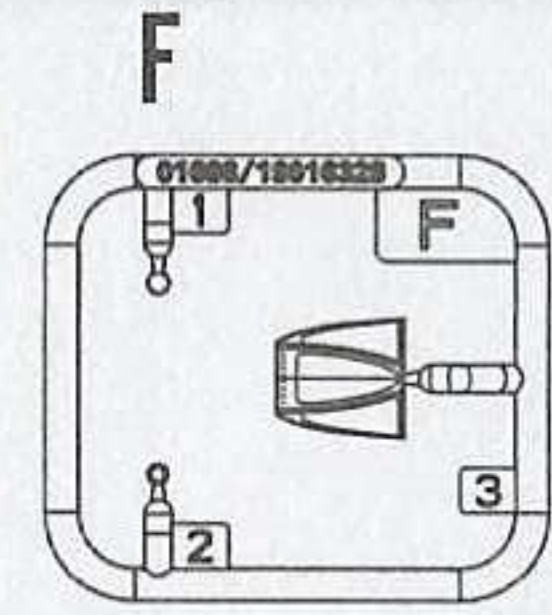
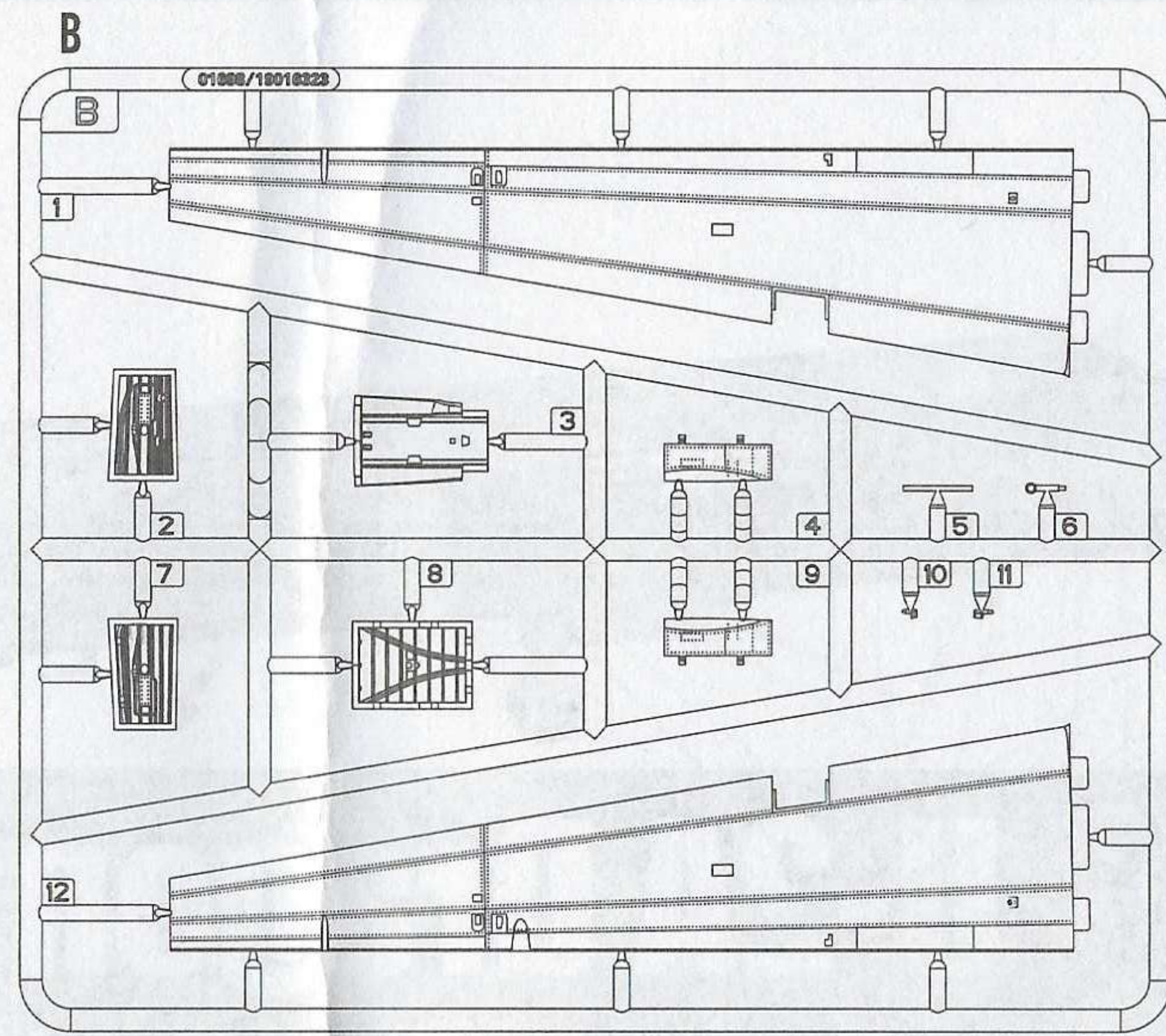
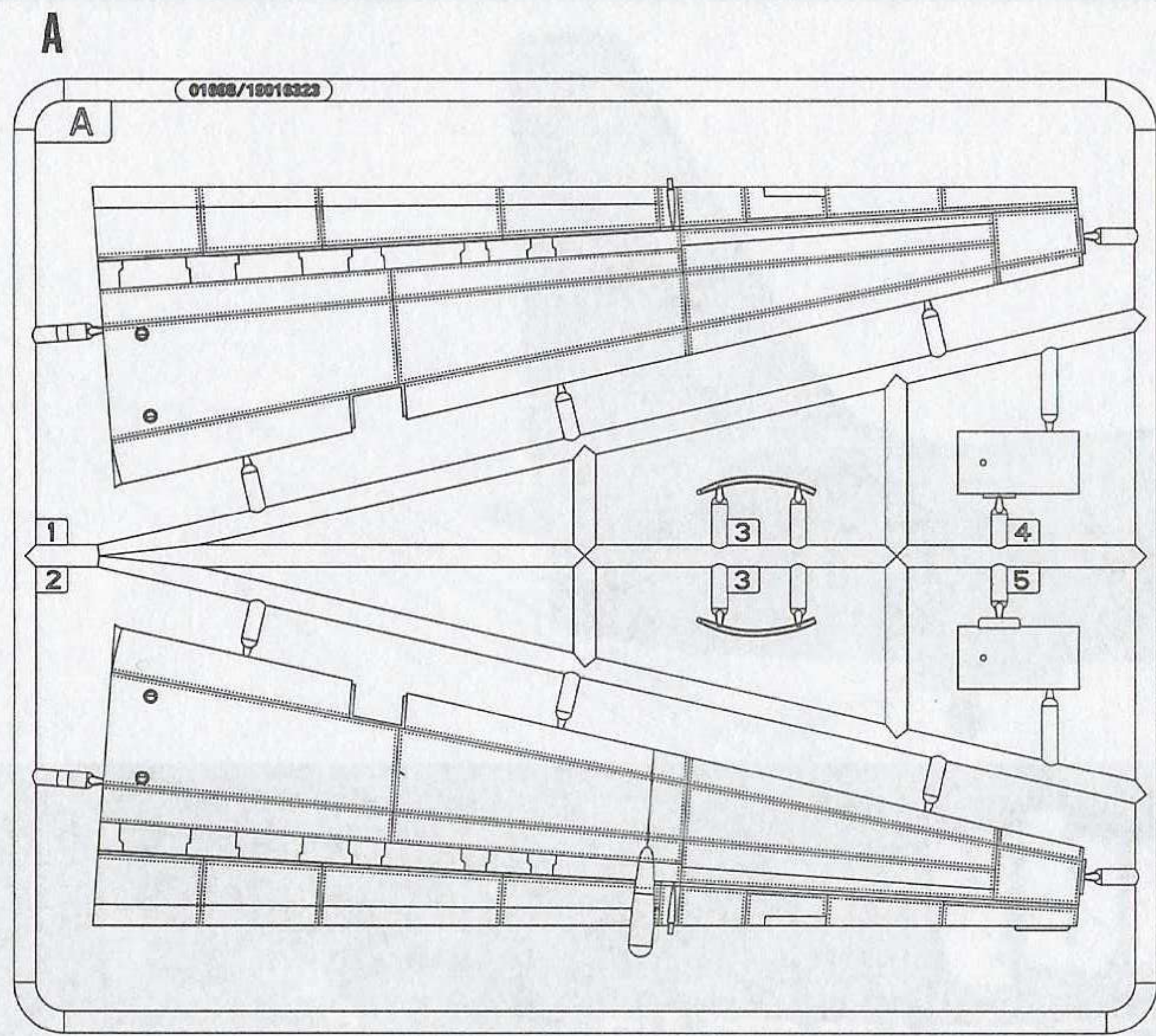
Install it first



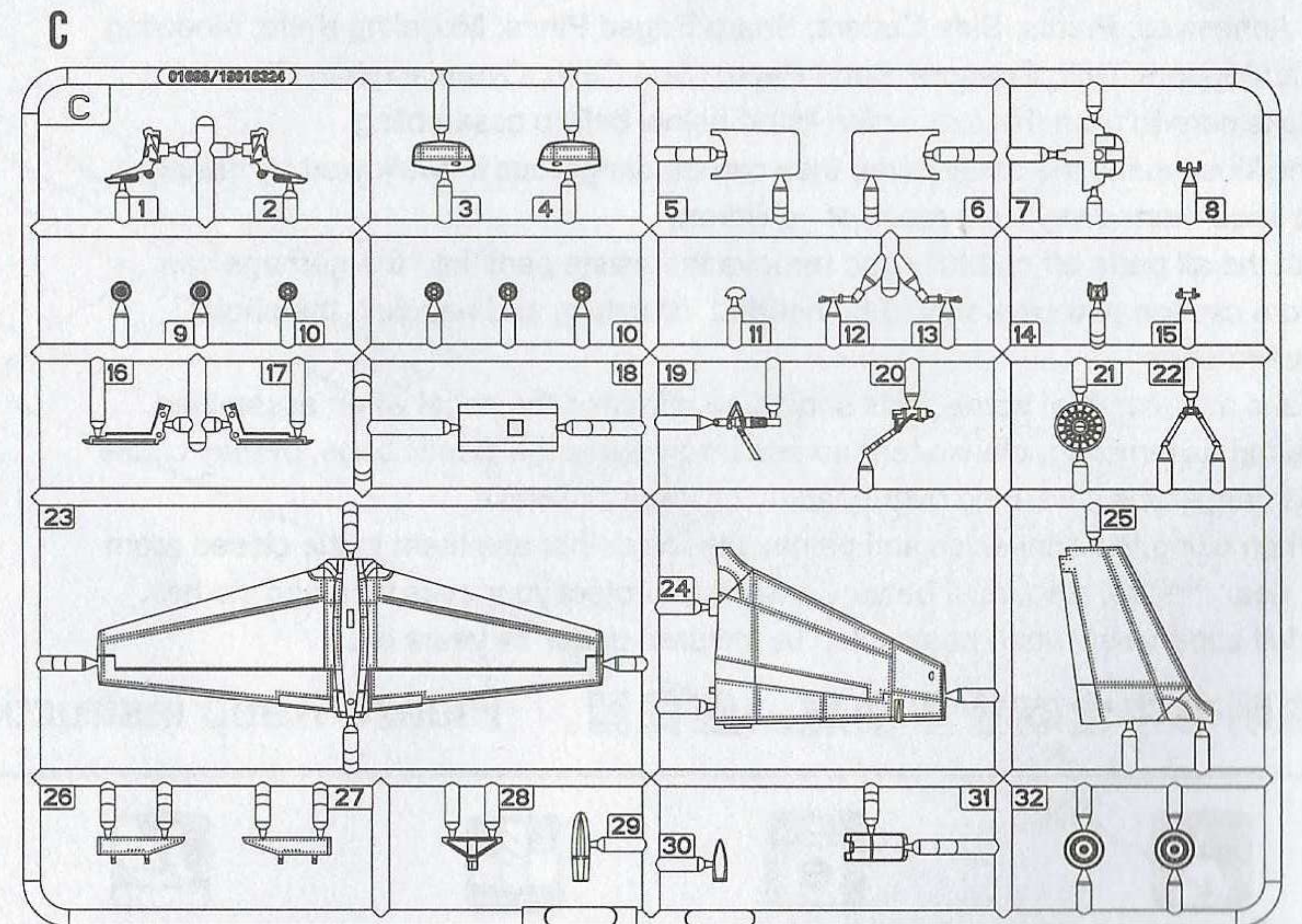
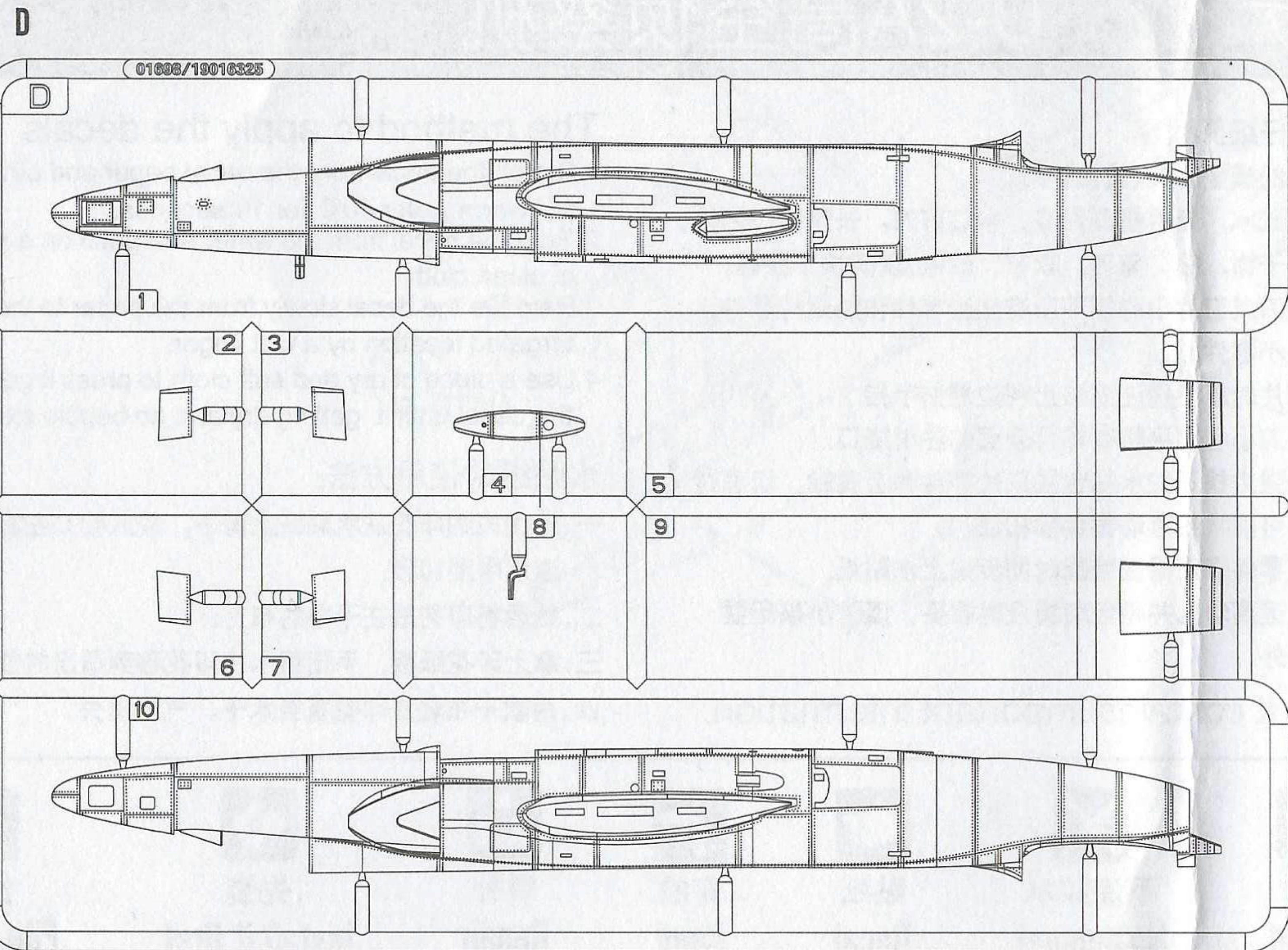
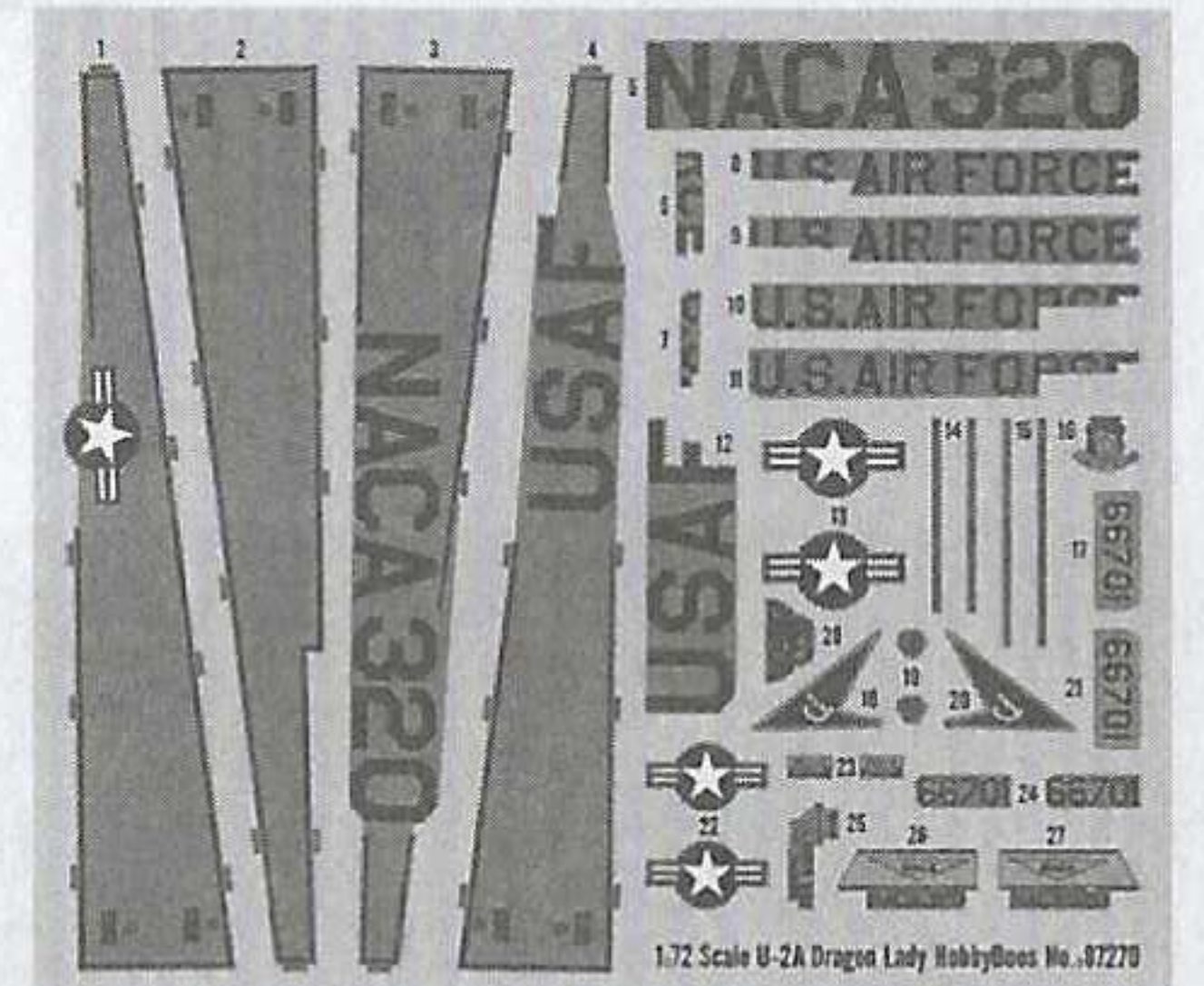
锉平

File / Sand

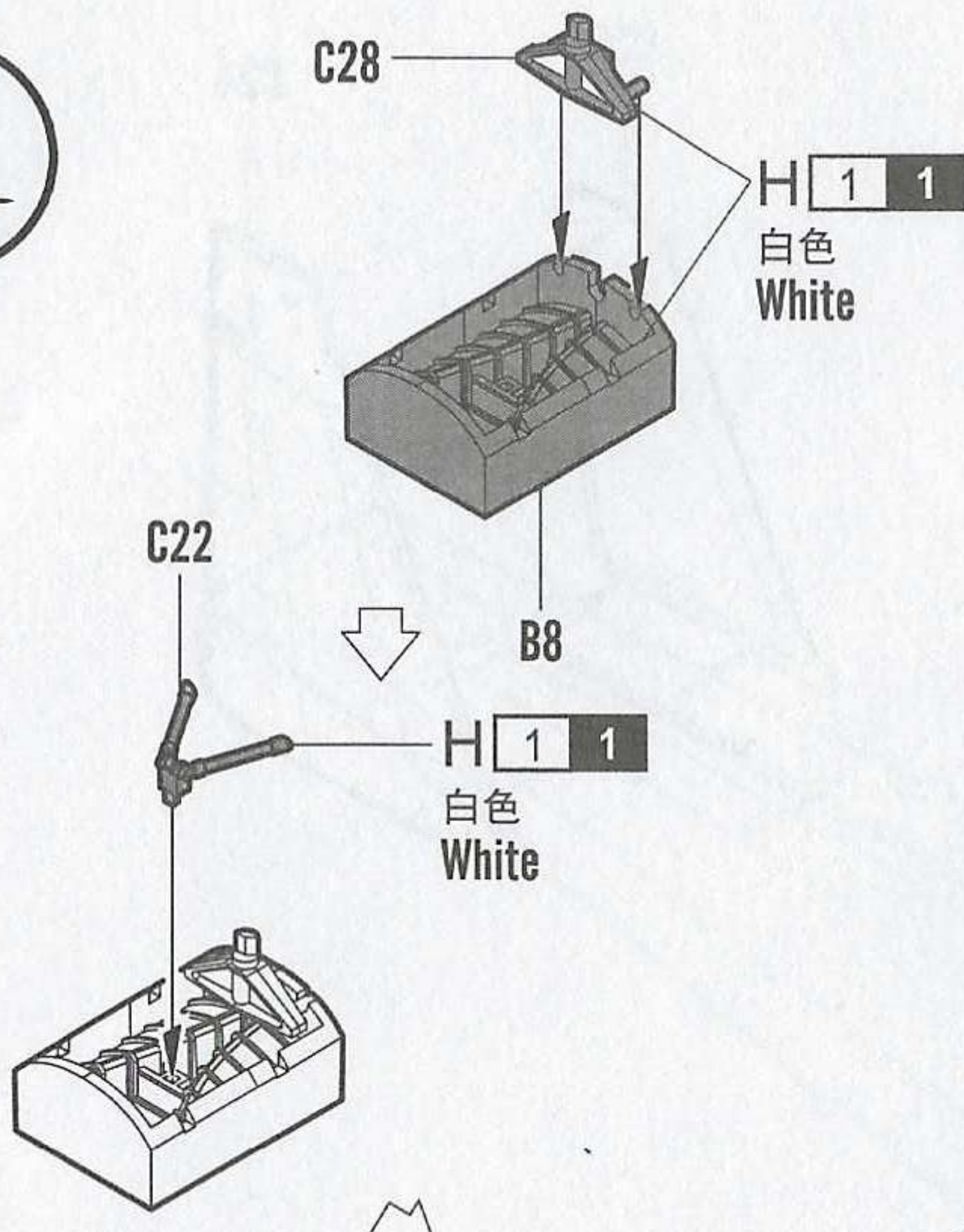
部品图
Parts



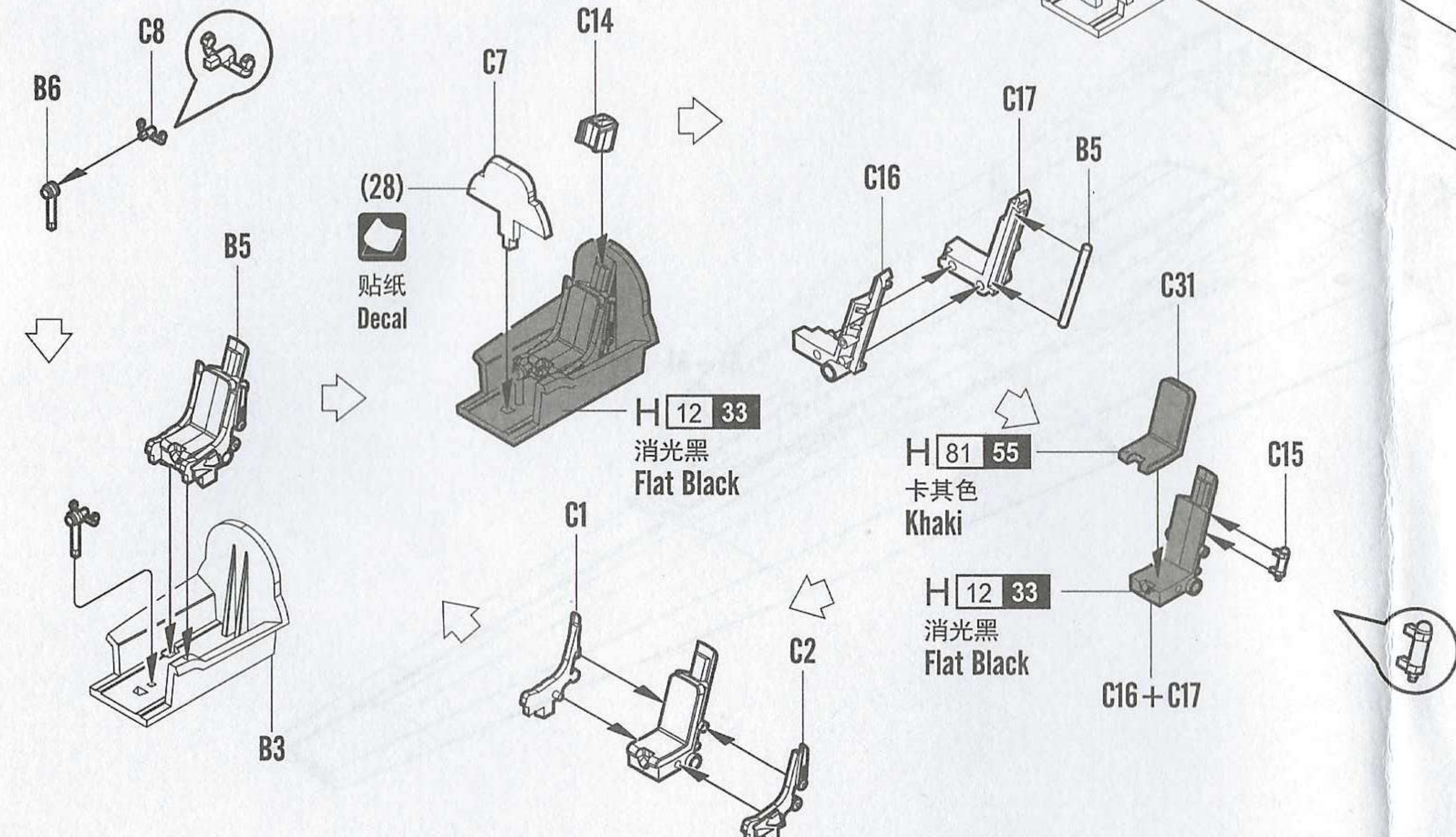
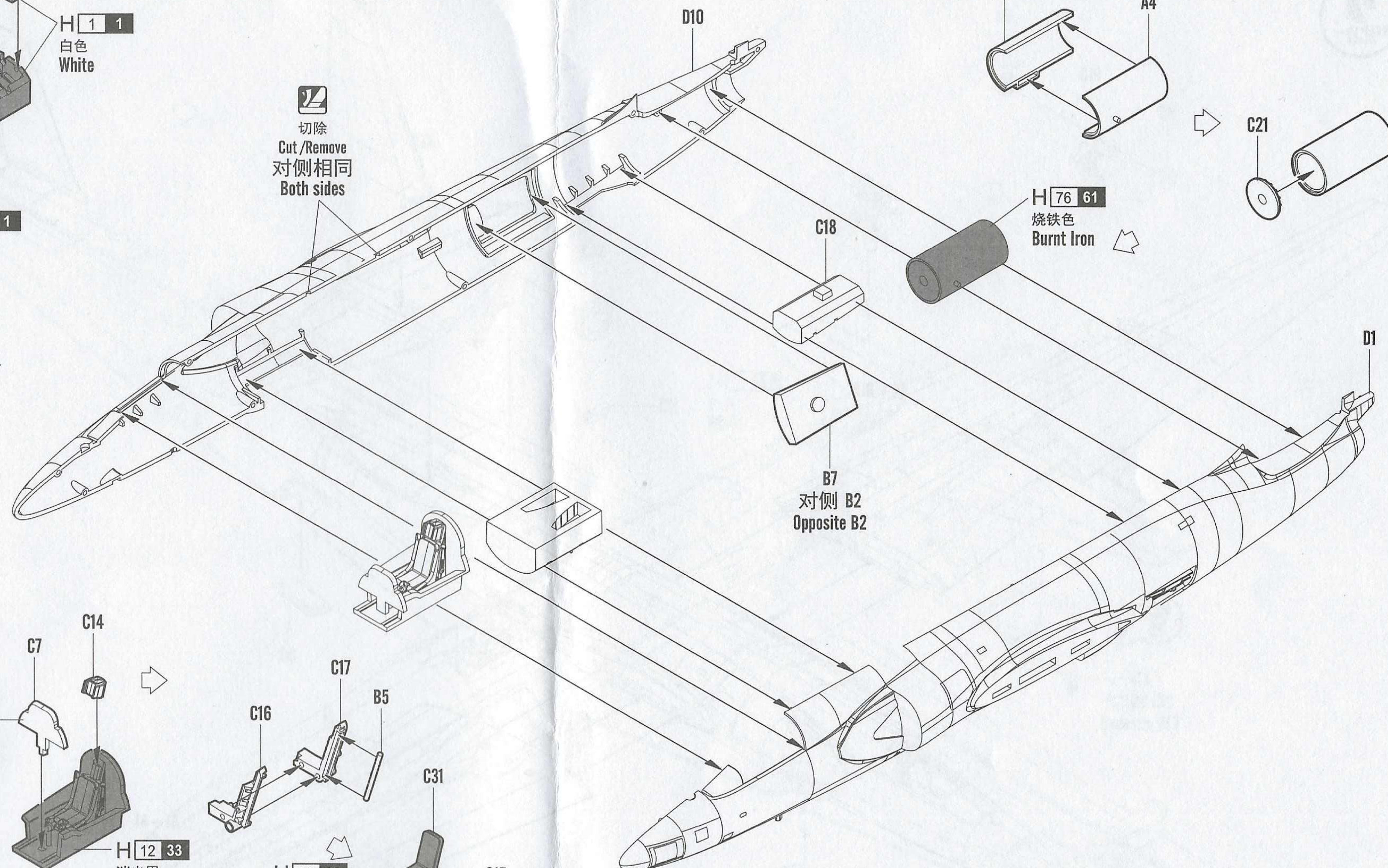
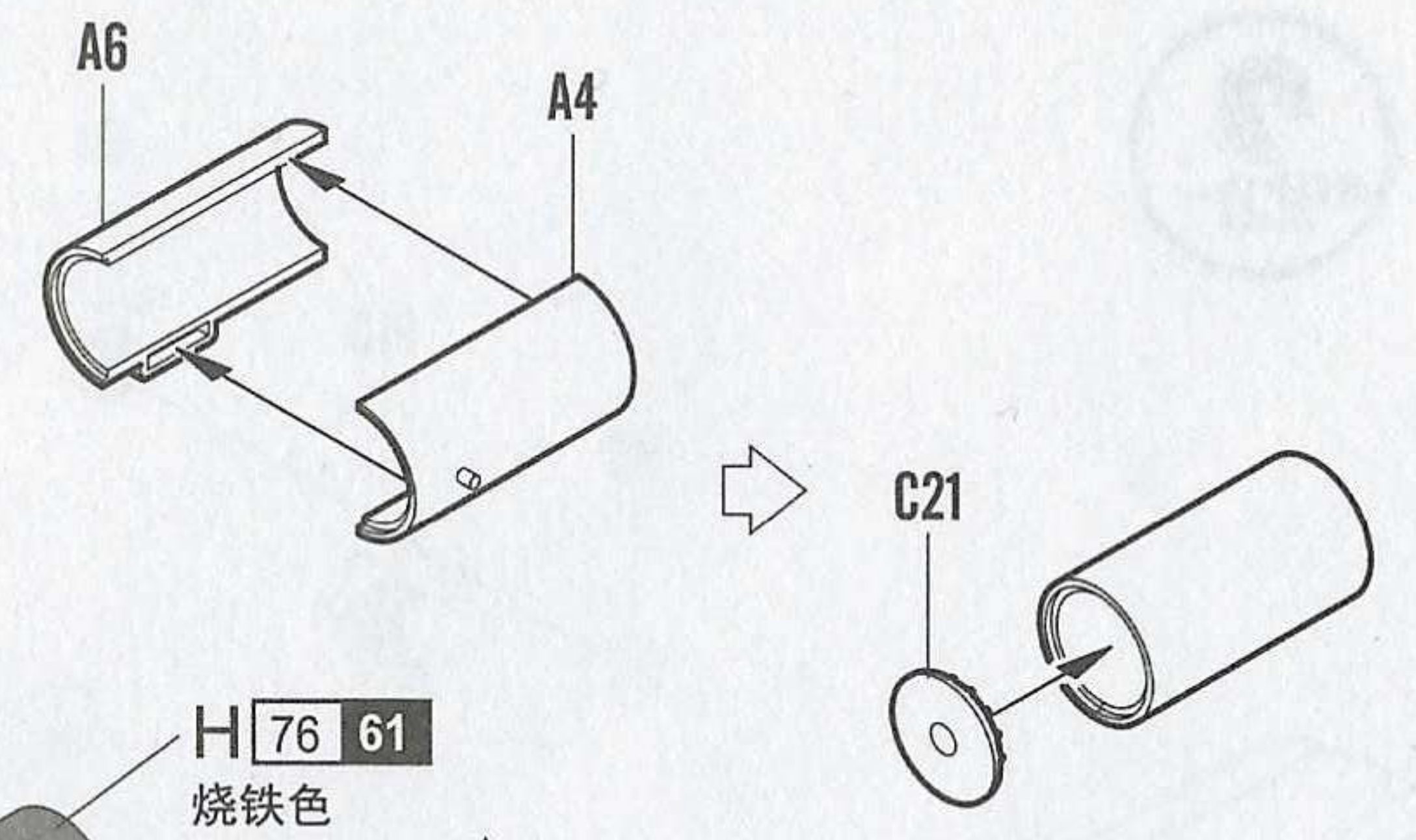
《水贴》
Decal



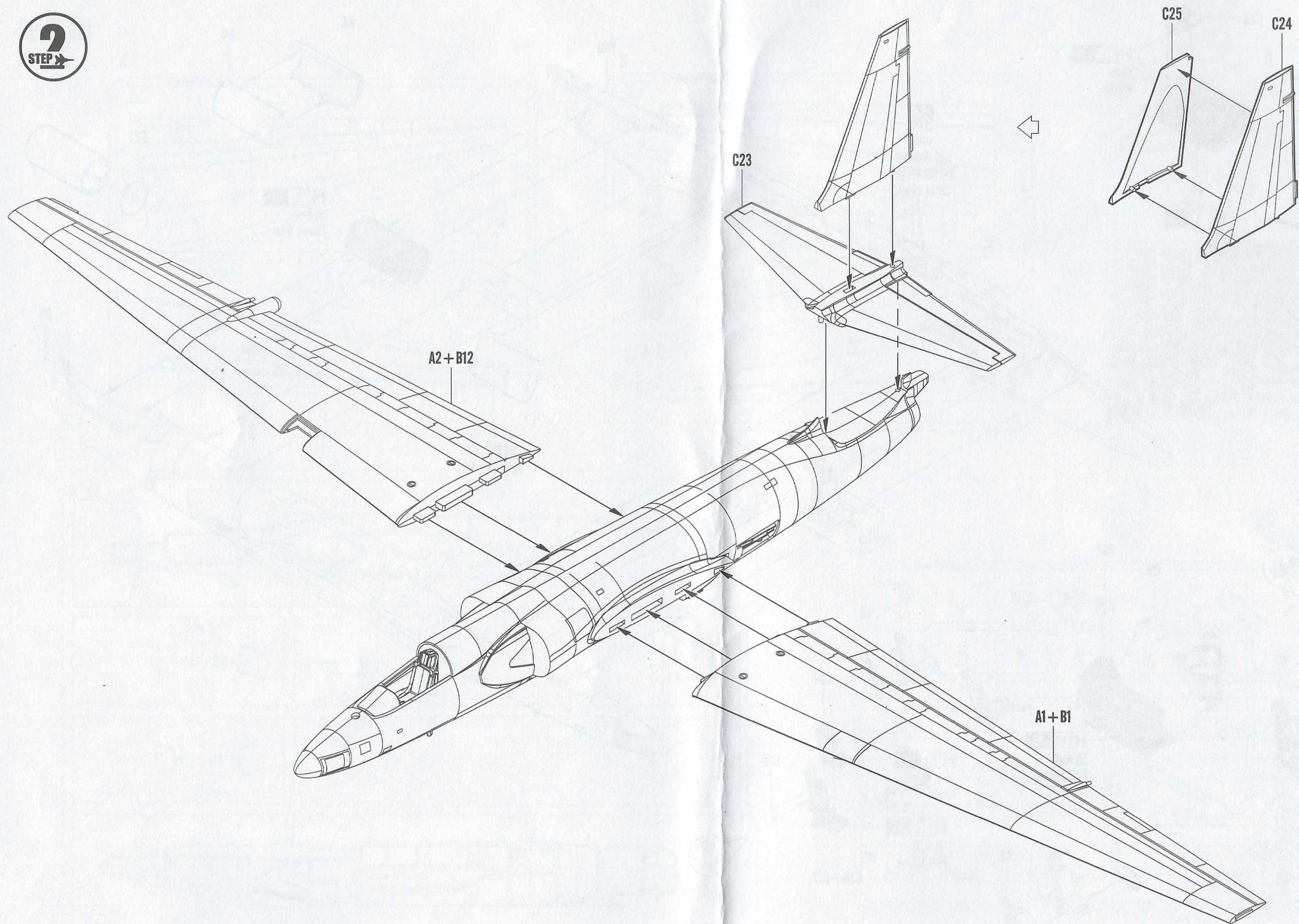
1
STEP



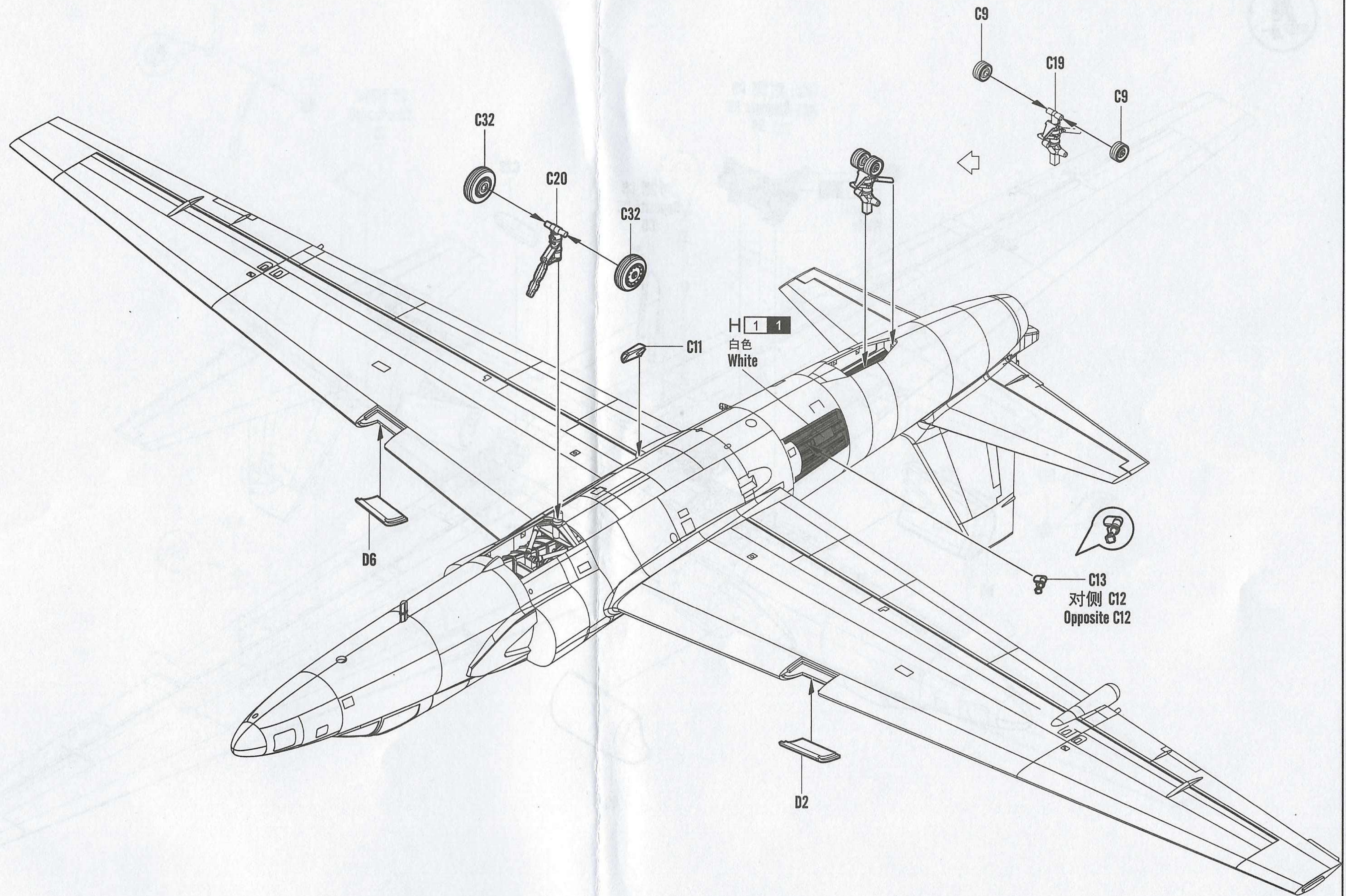

切除
Cut/Remove
对侧相同
Both sides

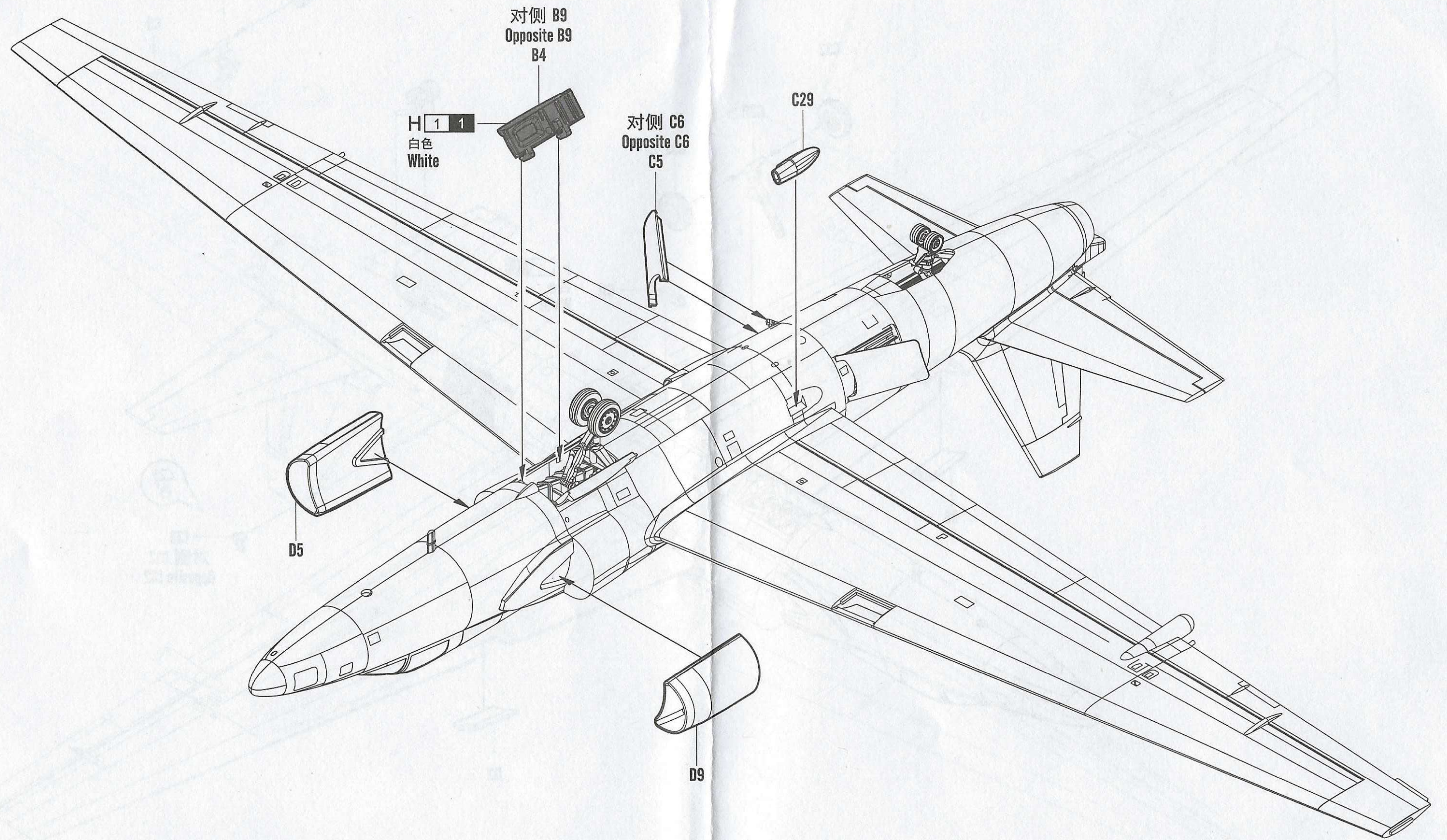


2
STEP 

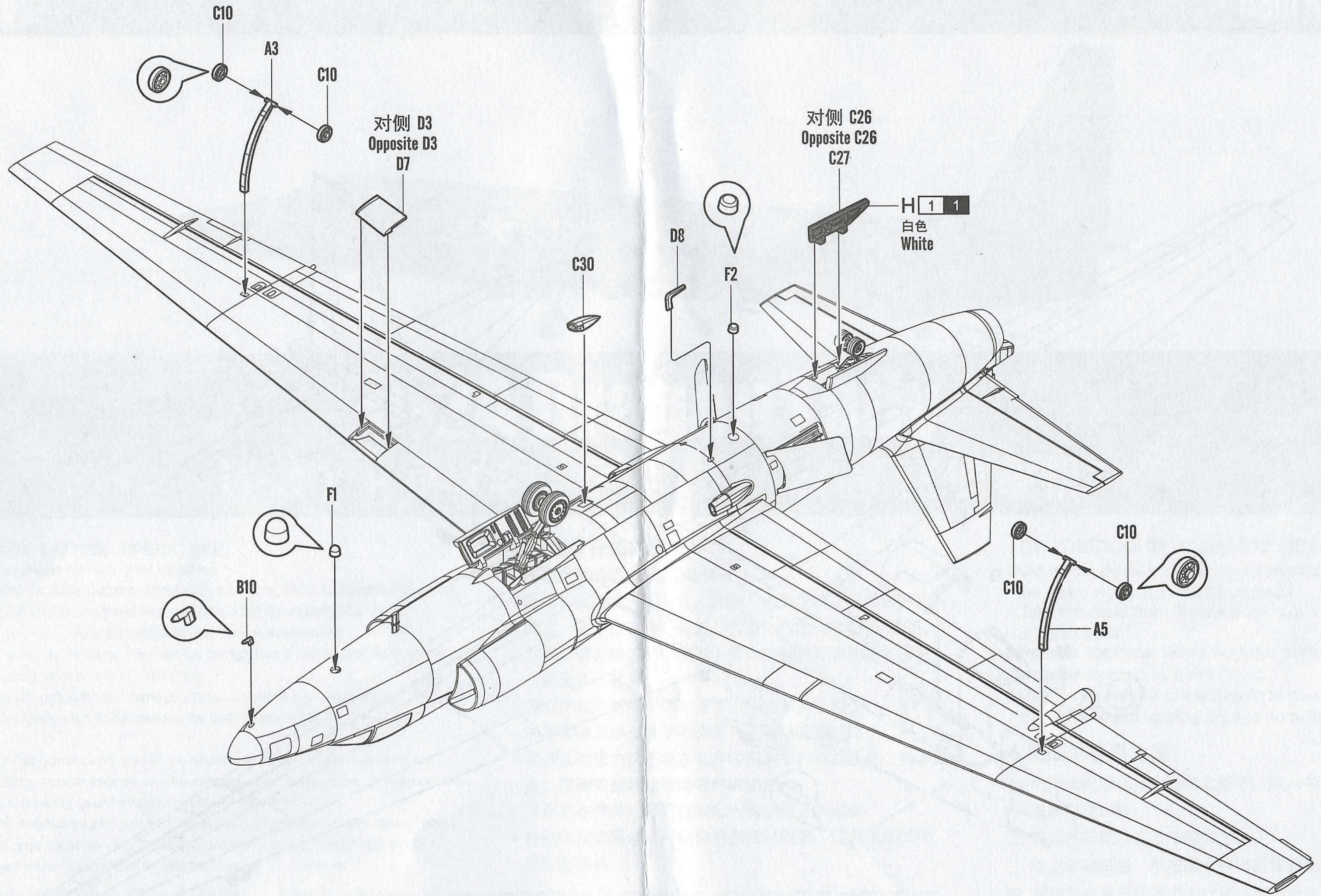


3
STEP 4



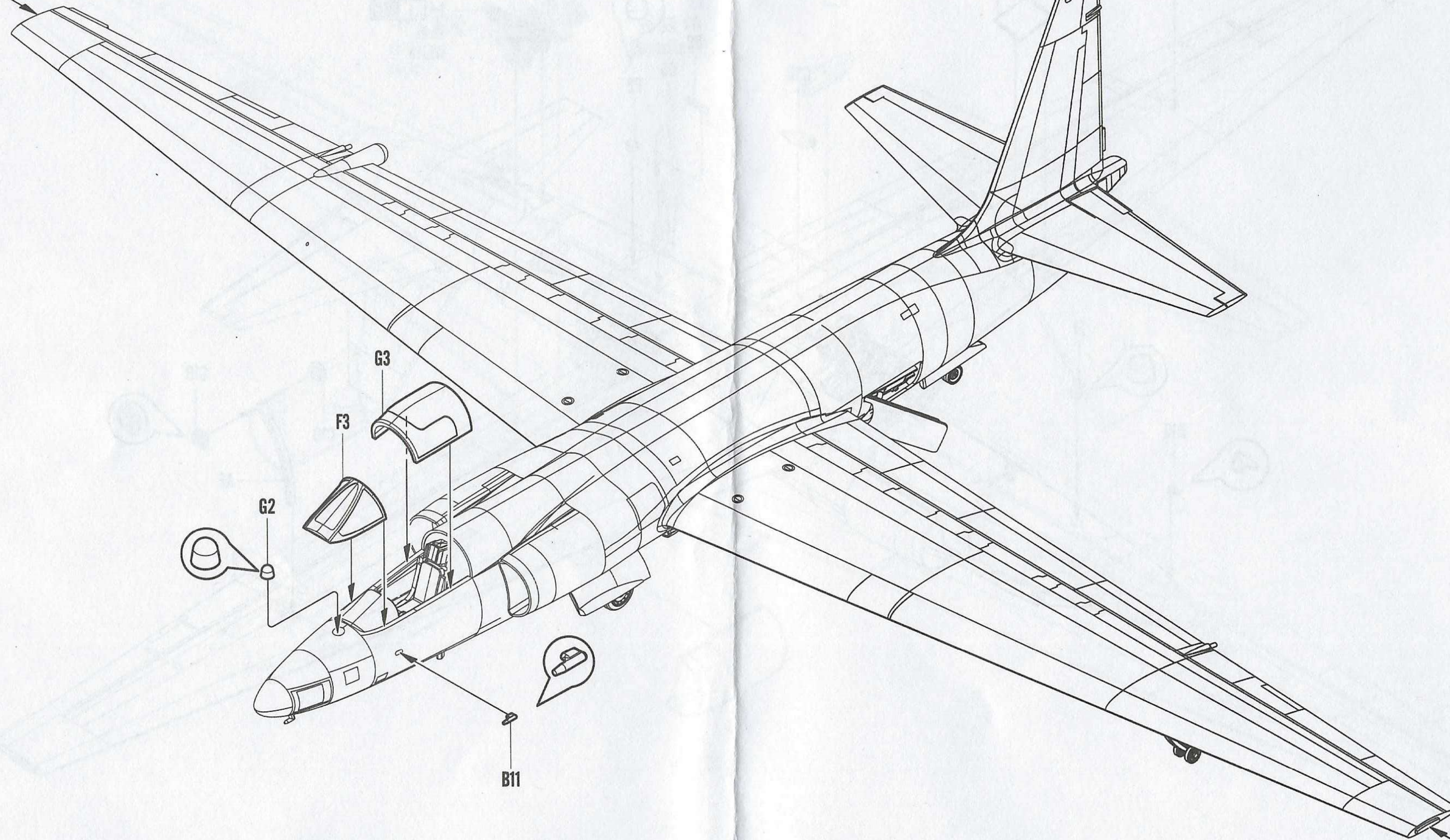
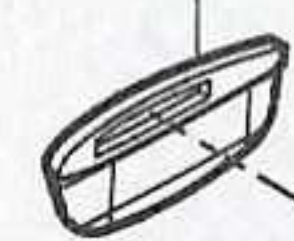


5
STEP

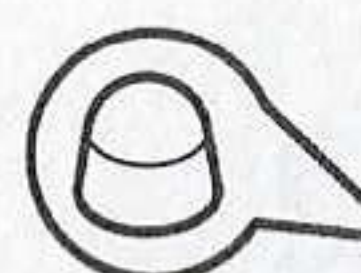


6
STEP 6

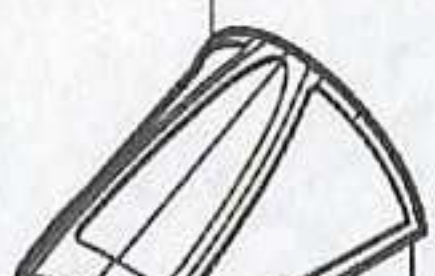
C4



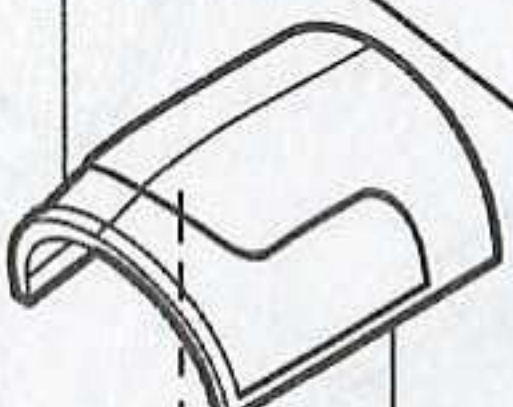
G2



F3



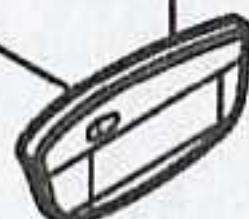
G3



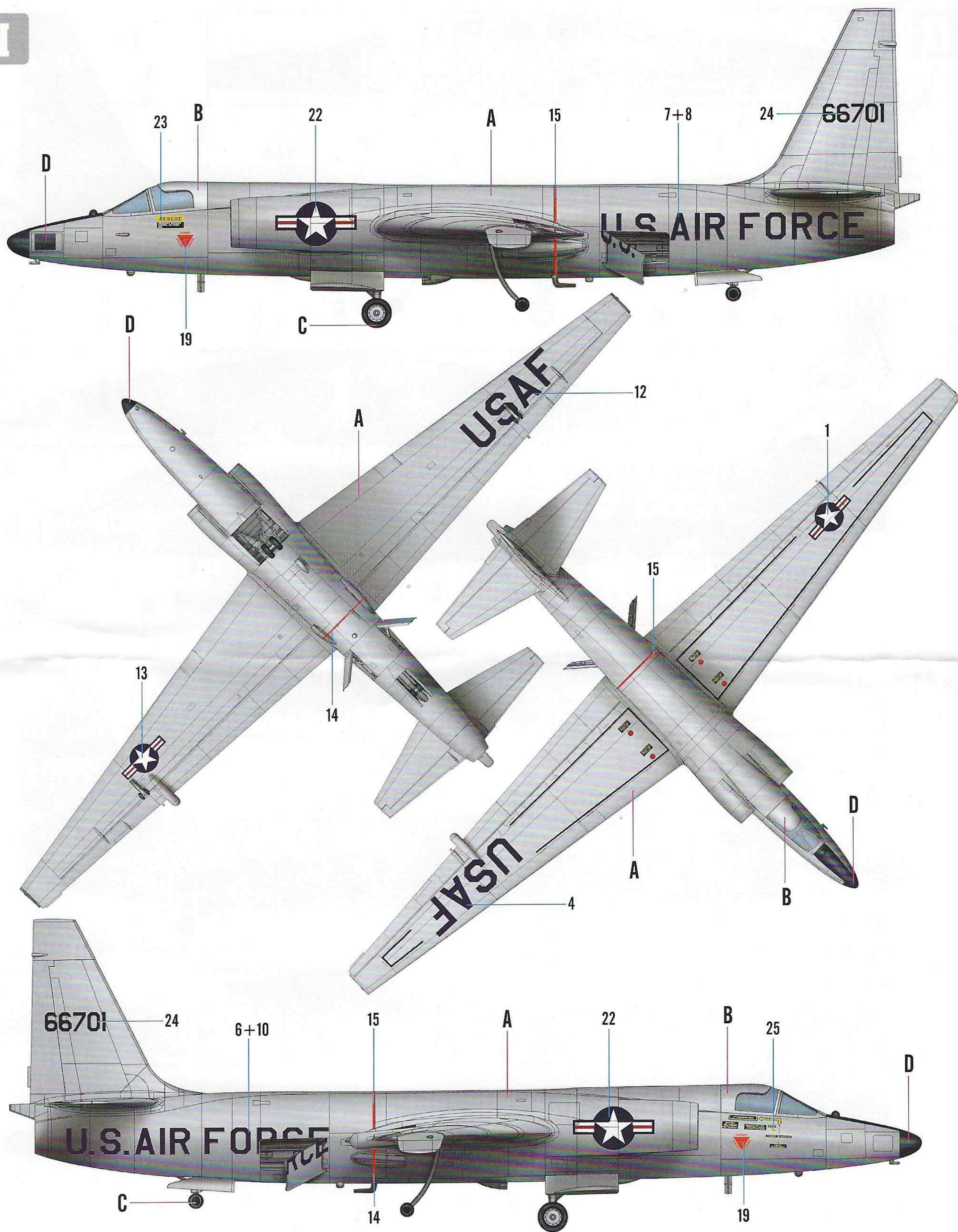
B11



C3



I



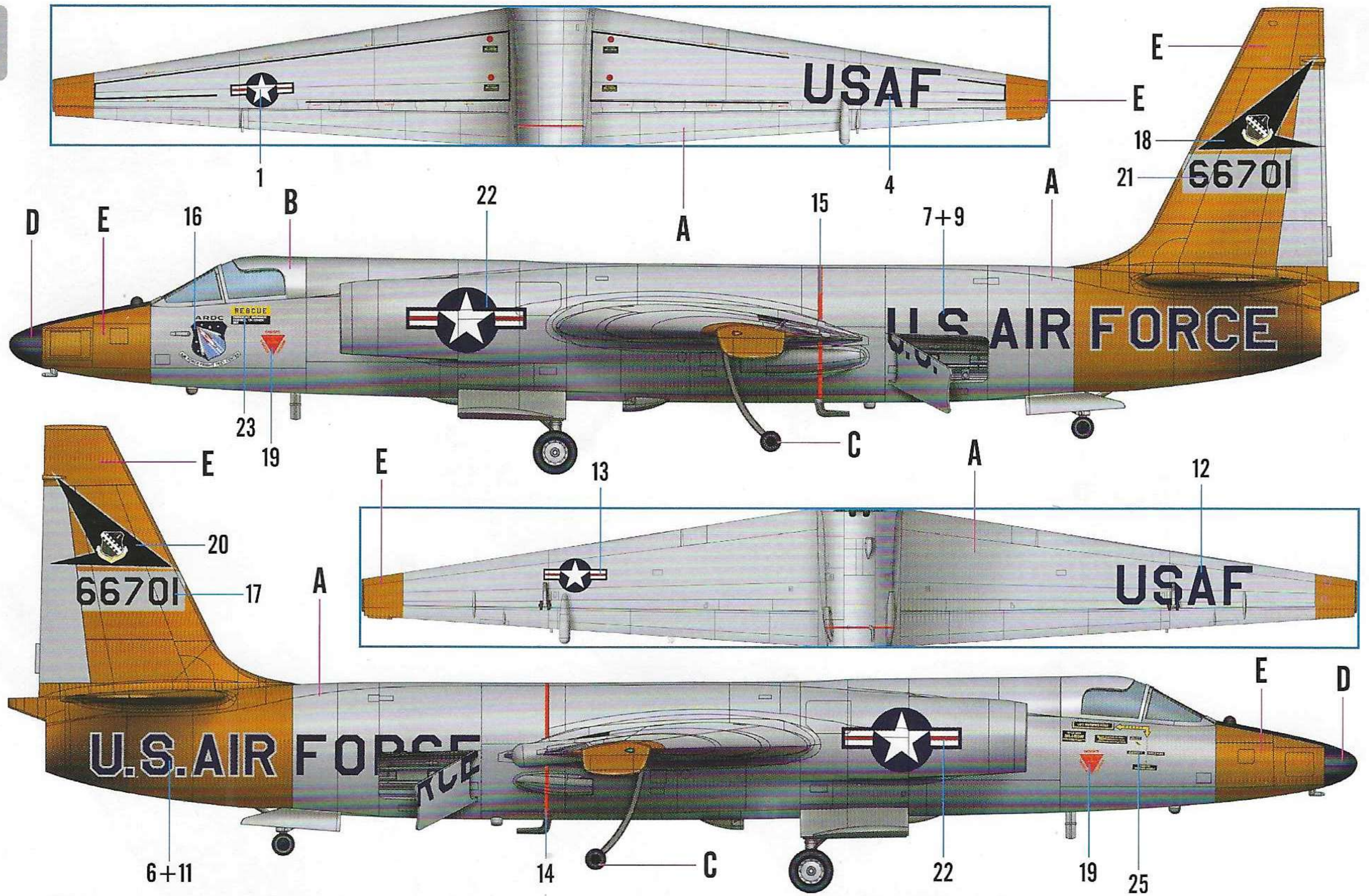
Color	Mr.Hobby	Acrycion	Vallejo	Model Master	Tamiya	Humbrol	Color	Mr.Hobby	Acrycion	Vallejo	Model Master	Tamiya	Humbrol		
A	银色 Silver	H 8 8	N 8	997	1546	X11	11	D	消光黑 Flat Black	H 12 33	N 12	950	1749	XF1	33
B	白色 White	H 1 1	N 1	842	1745	X2	22	E	橘色 Orange	H 14 59	N 14	956	1527	X6	18
C	胎黑色 Tire Black	H 77 137	N 77	--	--	XF85	--								

NO.:87270

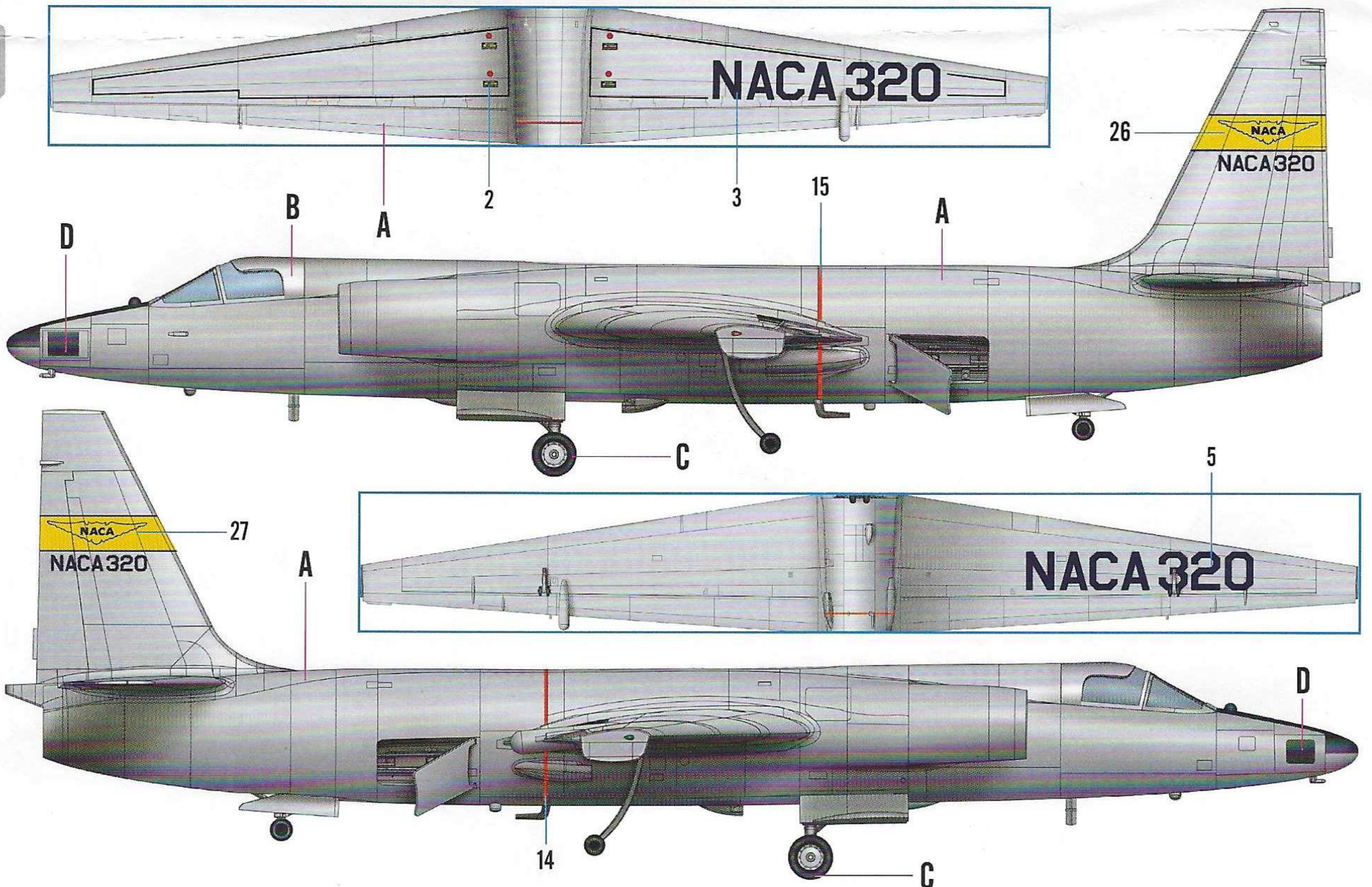
H AQUEOUS HOBBY COLOR X Mr. COLOR N ACRYCION COLOR

※ Some paints may not be available in your country. Please check your local hobby shop for substitute

II



III



Color	Mr.Hobby	Acrycion	Vallejo	Model Master	Tamiya	Humbrol	Color	Mr.Hobby	Acrycion	Vallejo	Model Master	Tamiya	Humbrol
A 银色 Silver	H 8 8	N 8	997	1546	X11	11	D 消光黑 Flat Black	H 12 33	N 12	950	1749	XF1	33
B 白色 White	H 1 1	N 1	842	1745	X2	22	E 橘色 Orange	H 14 59	N 14	956	1527	X6	18
C 胎黑色 Tire Black	H 77 137	N 77	--	--	XF85	--							

NO.87270

H AQUEOUS HOBBY COLOR Mr. COLOR N ACRYSION COLOR
*Some paints may not be available in your country. Please check your local hobby shop for substitute

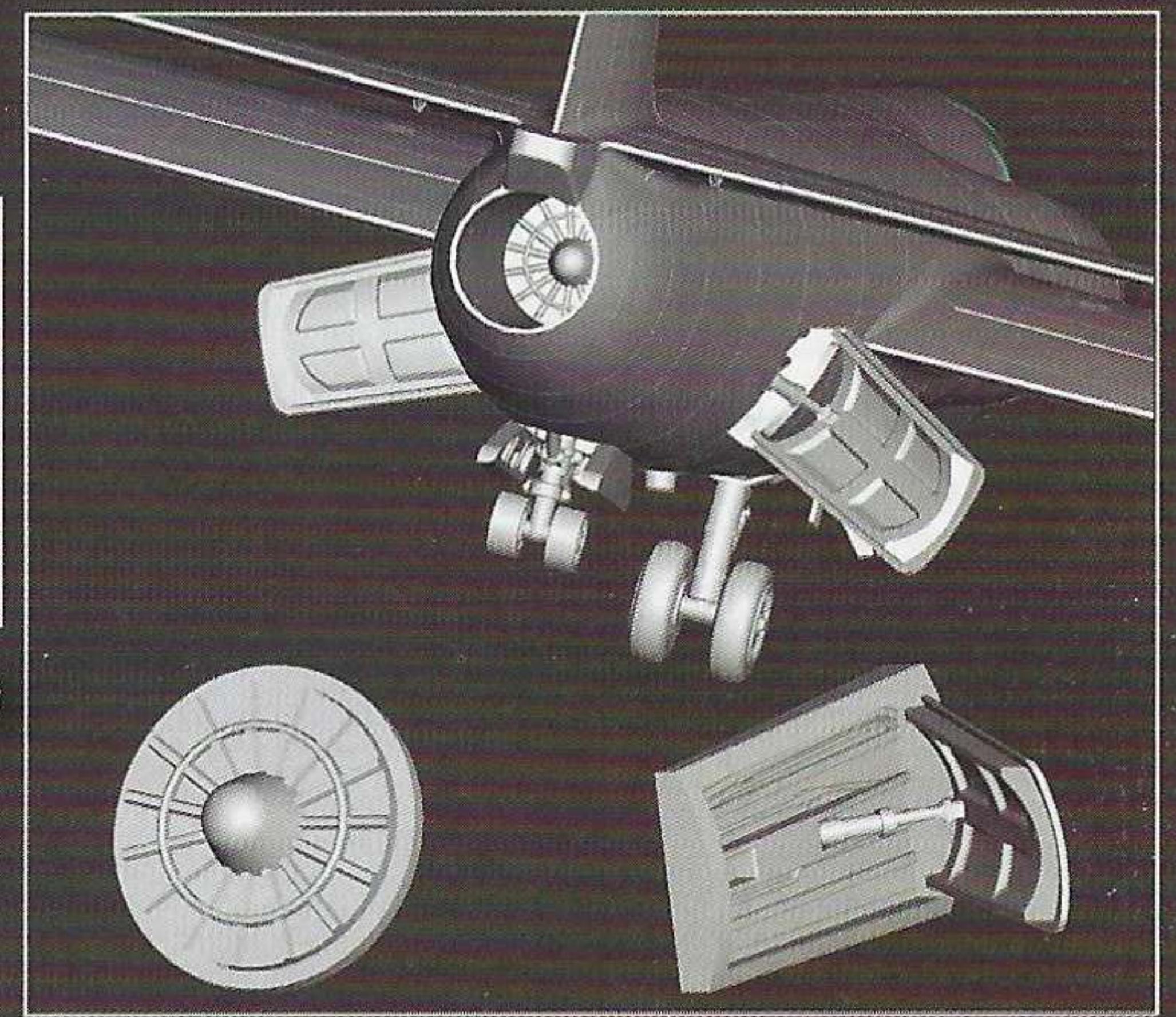
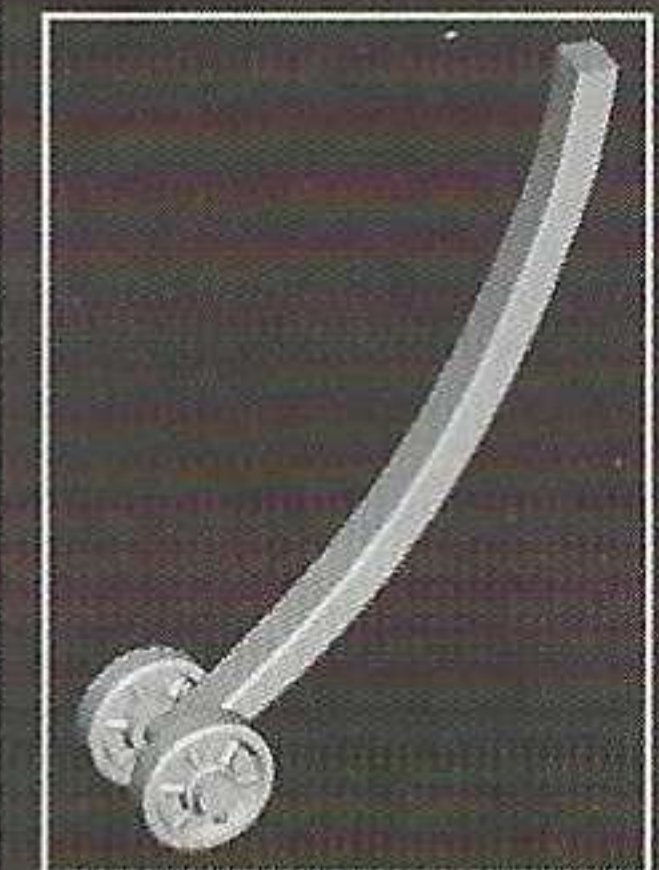
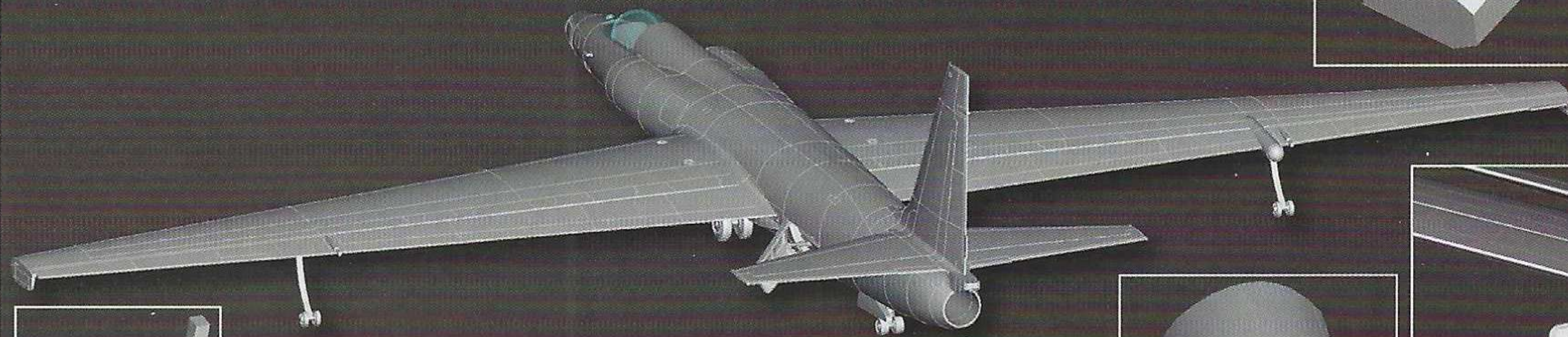
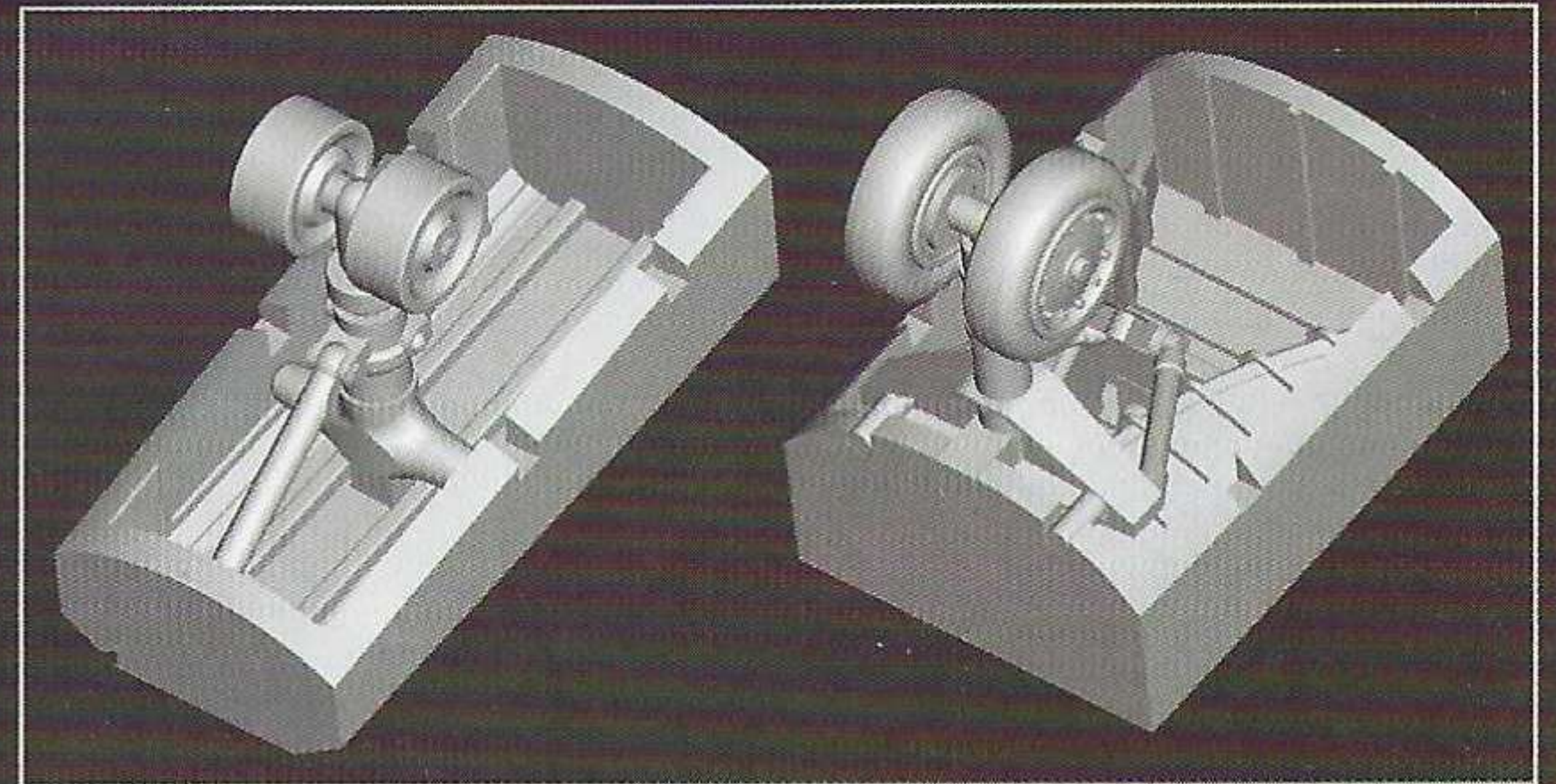
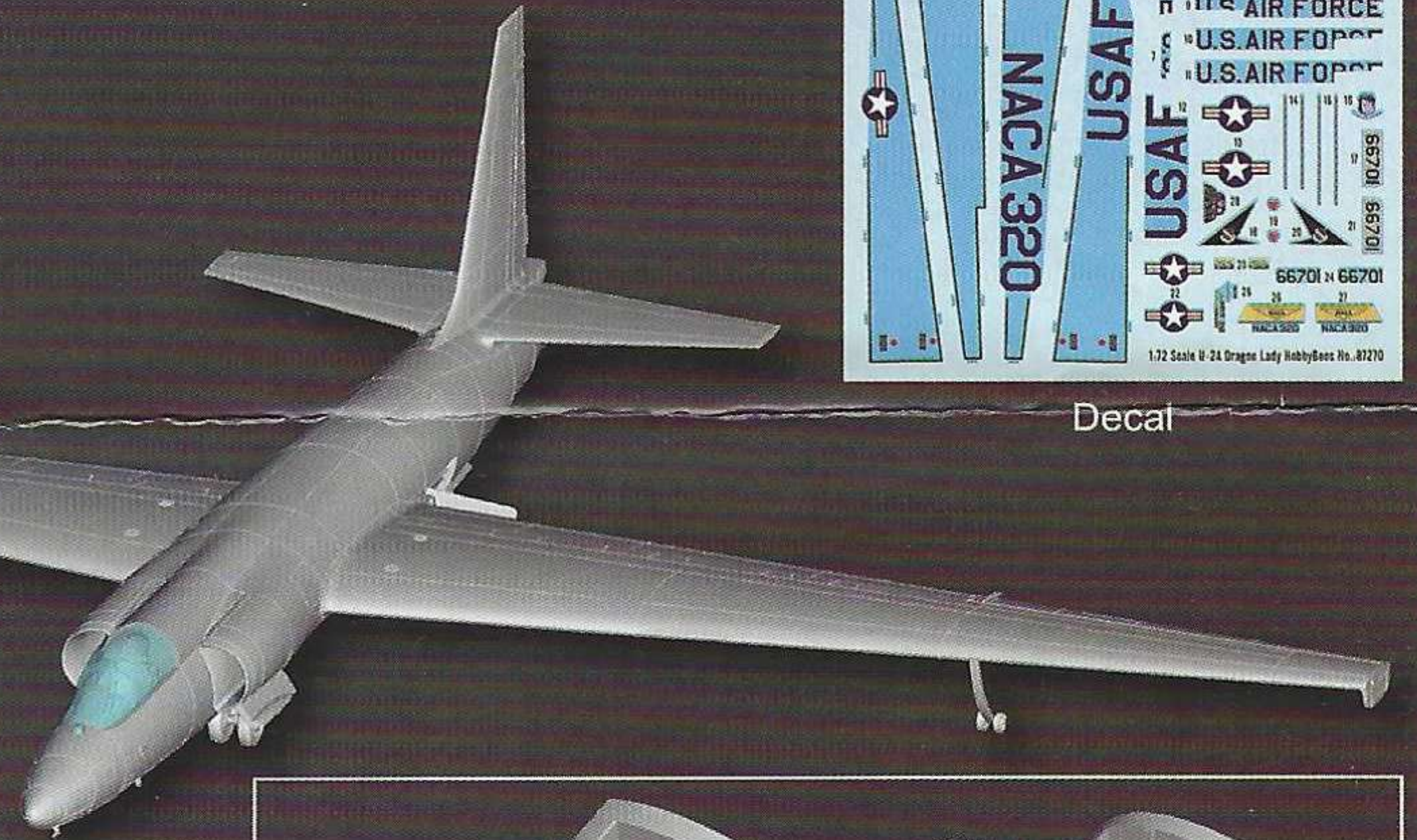
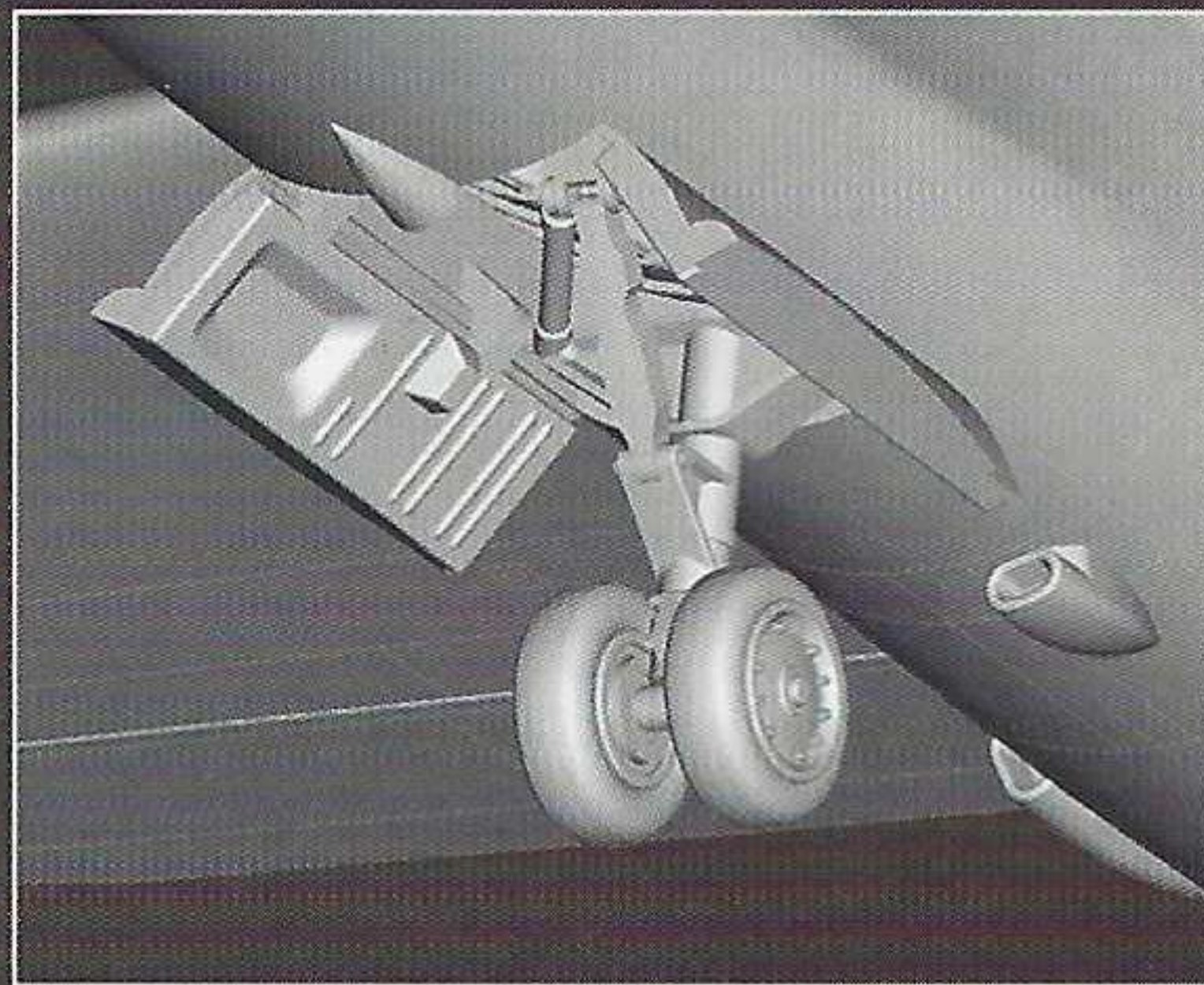
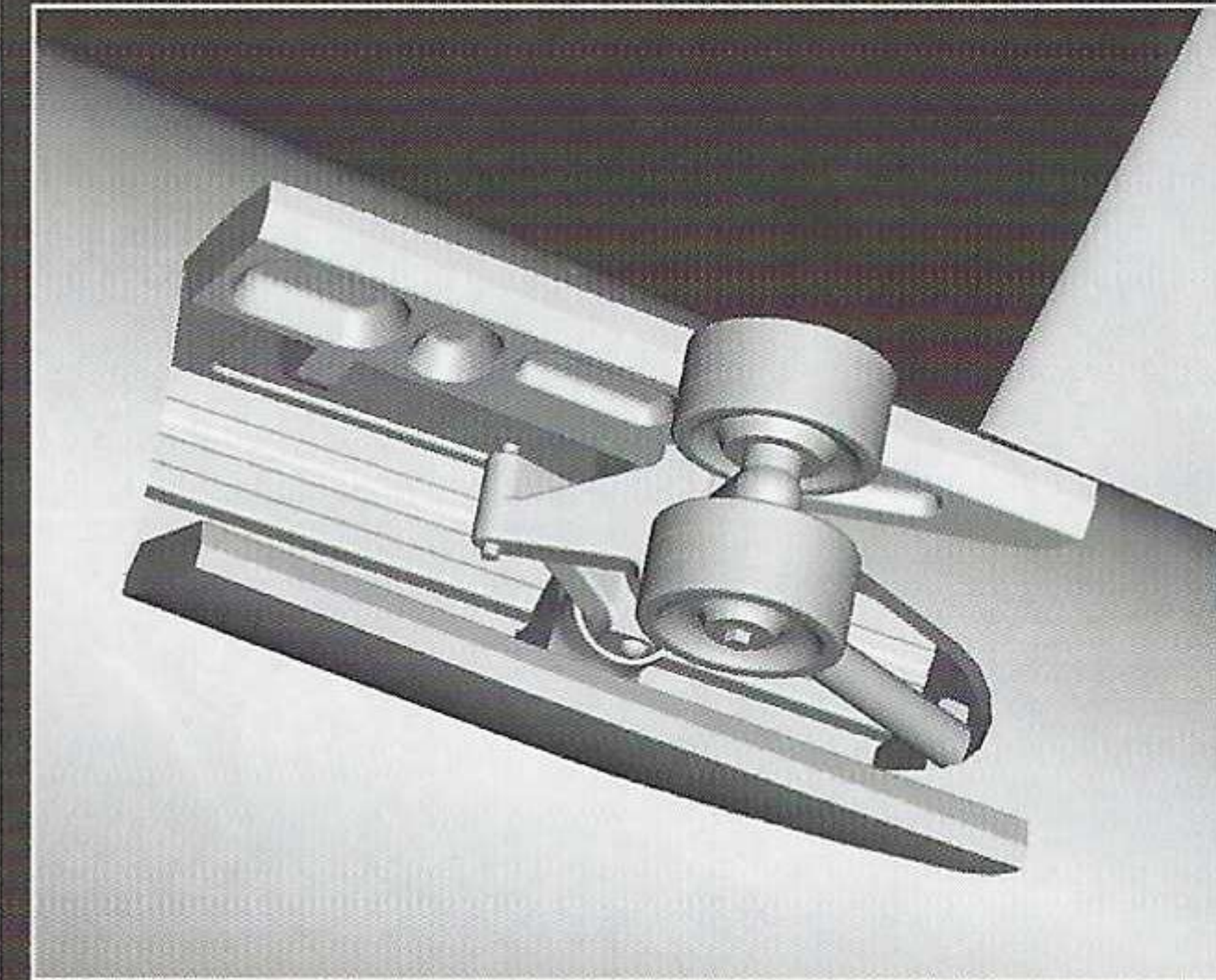
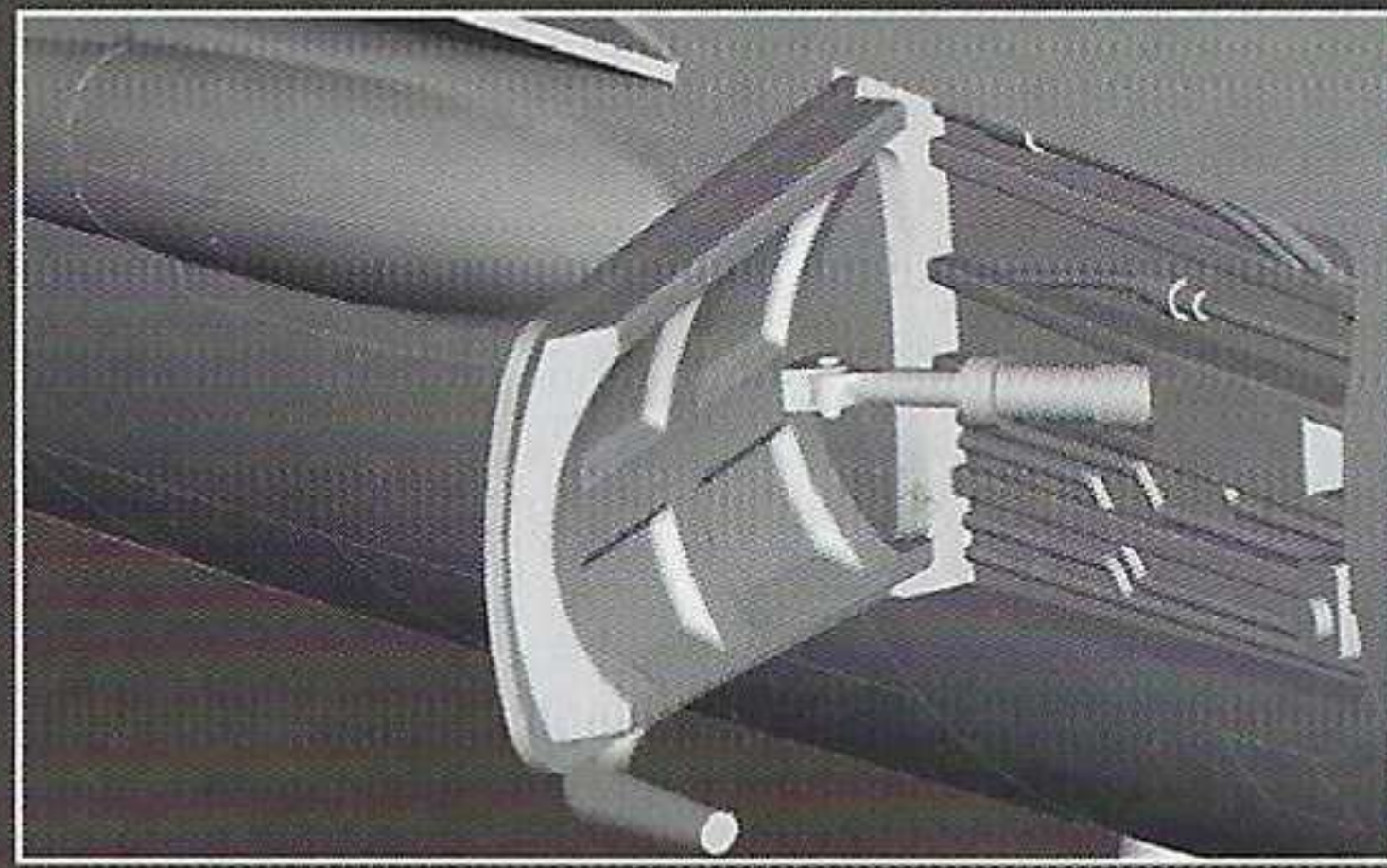
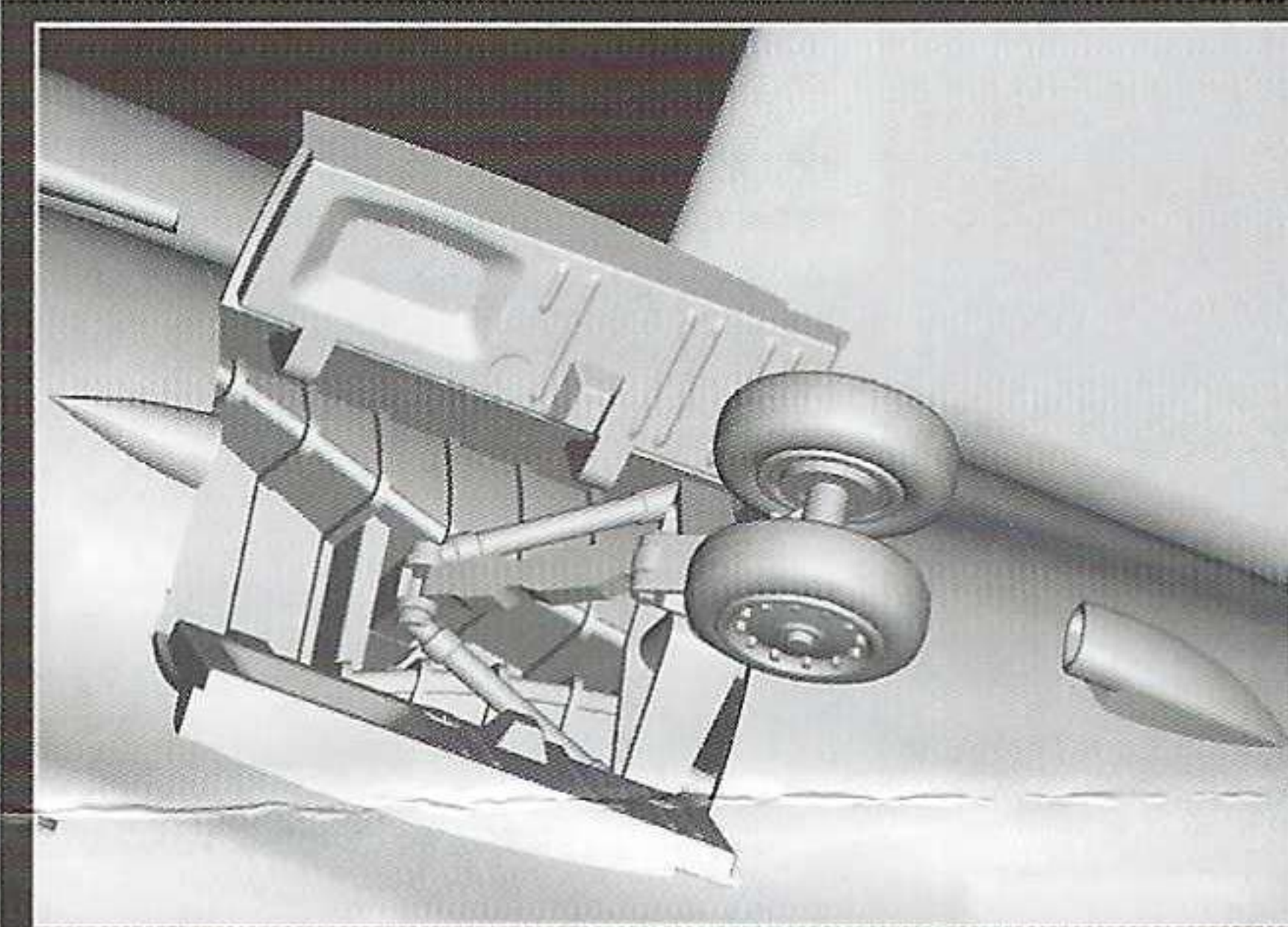
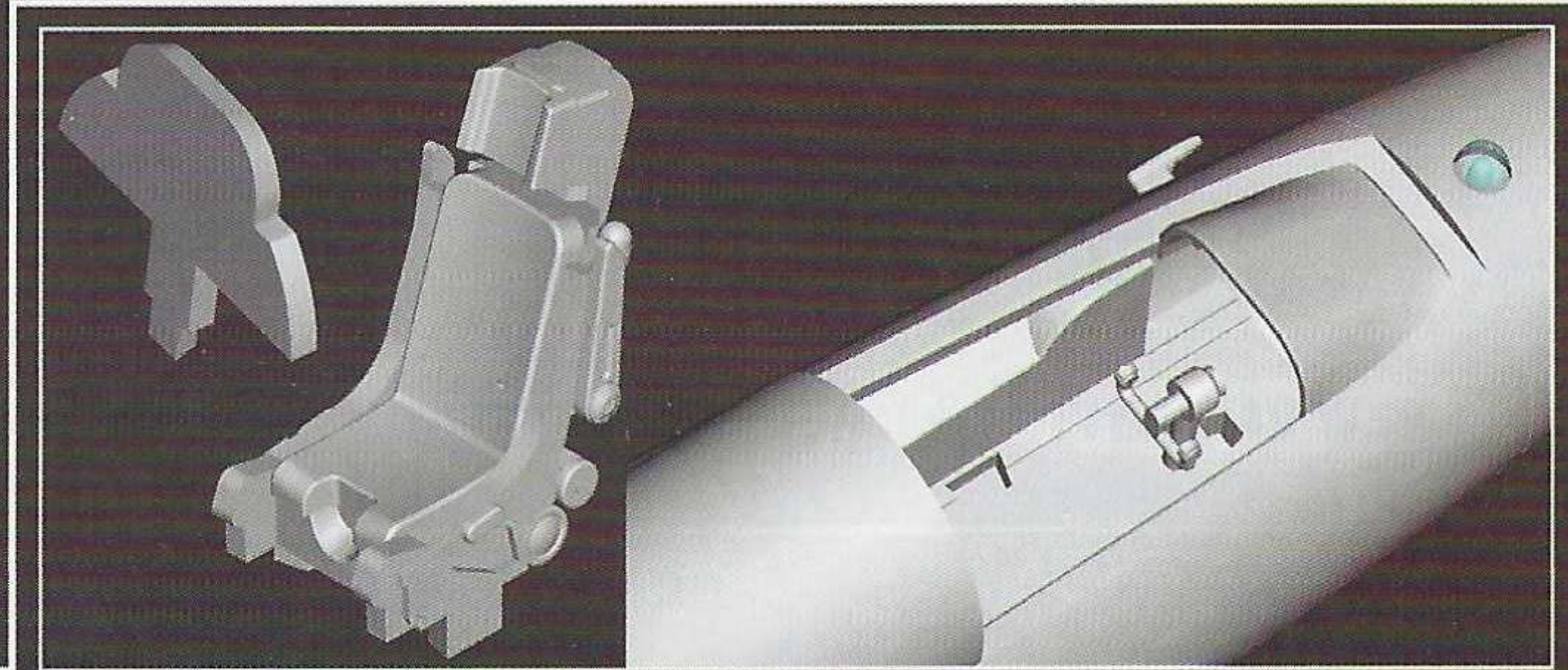
U-2A Dragon Lady

1:72 Scale 87270



U-2 built in complete secrecy by Kelly Johnson and the Lockheed Skunk Works, the original U-2A first flew in August 1955. Early flights over the Soviet Union in the late 1950s provided the president and other U.S. decision makers with key intelligence on Soviet military capability. In October 1962, the U-2 photographed the buildup of Soviet offensive nuclear missiles in Cuba, touching off the Cuban Missile Crisis.

Kit consists of over 66 parts on 6 sprues including hull.
 Dimension of completed model: Length: 210.1mm Wingspan: 339.6mm



1:35
Scale 84553

German Sd.Kfz.179 Bergepanther Ausf.G

HOBBY BOSS



NEW VARIANT!

Panther is the common name of a medium tank fielded by Nazi Germany in World War II that served from mid-1943 to the end of the European war in 1945. The Panther's excellent combination of firepower, mobility, and protection served as a benchmark for other nations' late war and immediate post-war tank designs, and it is frequently regarded as one of the best tank designs of World War II.

While sharing essentially the same engine as the Tiger I tank, it had better frontal armor, better gun penetration, was lighter overall and thus faster, and could handle rough terrain better than the Tigers. The tradeoff was weaker side armor; the Panther proved to be deadly in open country and shooting from long range, but vulnerable to close-quarters combat. Also, the 75 mm gun fired a slightly smaller shell than the Tiger's 88 mm gun, providing less high explosive firepower against infantry, though it was still quite effective.

The Panther was also far cheaper to produce than the Tiger tanks, and only slightly more expensive than the Panzer IV, as its design came to fruition at the same time that the Reich Ministry of Armament and War Production was making great efforts to increase war production. Key elements of the Panther design, such as its armor, transmission and final drive, were compromises made specifically to improve production rates and address Germany's war shortages, whereas other elements such as its highly compact engine and its complex suspension system remained with their elegant but complicated engineering. The result was that Panther tank production was far higher than what was possible for the Tiger tanks, but not much higher than what had been accomplished with the Panzer IV. At the same time, the simplified final drive became the single major cause of breakdowns of the Panther tank, and was a problem that was never corrected.

Kit consists of over 1359 parts on 28 sprues including hull, 74 parts photo-etched upgrade parts, copper cable, chain, rope.

Dimension of completed model: Length: 257mm Width: 165.7mm

Detailed Bosch headlight with cable.

Detailed hoist with photo-etched details.

Optional position rear stabilizing blade.

00123456789
00123456789
+1 +2 +3 +4 +5 +6
1:35 Scale German Sd.Kfz.179 Bergepanther Ausf.G HobbyBoss NO. 84553

Decal

PE-A PE-B

Accurate heavy vehicle winch.

Several defensive armament options.

Detailed V-12 Maybach engine and transmission.

Full interior driver's compartment.

Separately molded running gear with independent track links and photo-etched spare track brackets.

Trumpeter_Hobbyboss
 Trumpeter_Hobbyboss
 trumpeter&hobbyboss fan club
 小号手模型