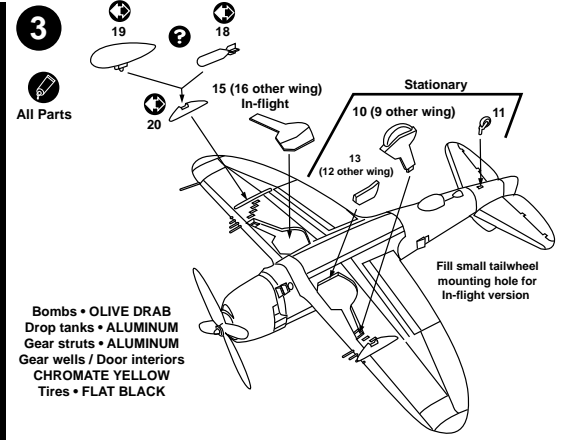
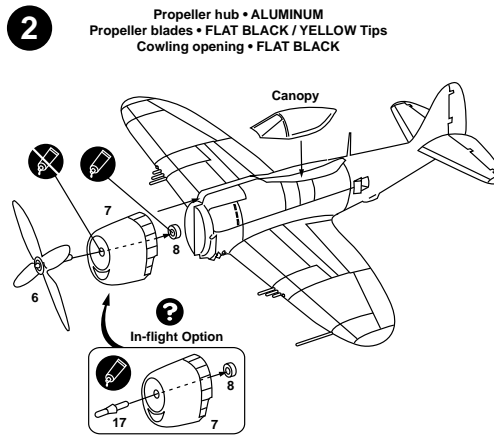
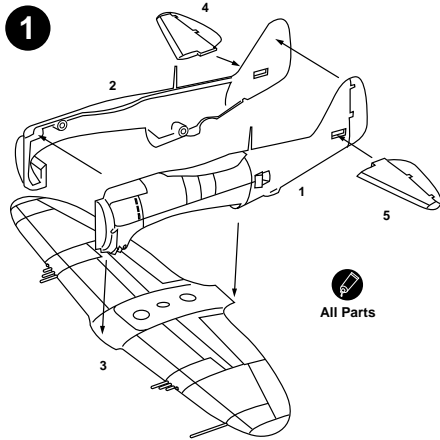
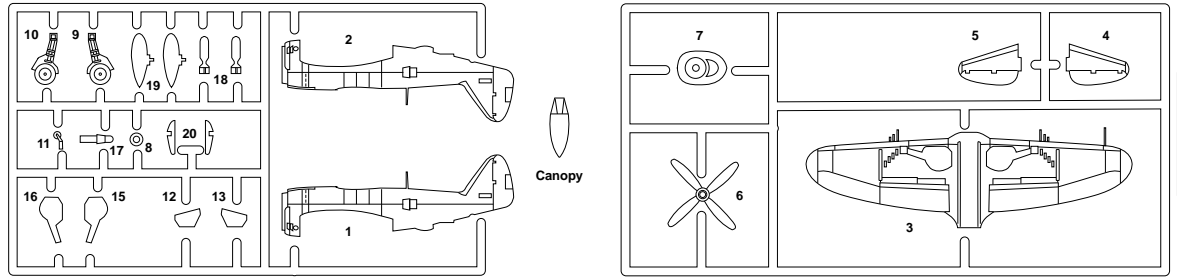
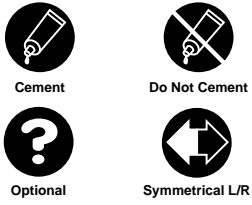


Your MINICRAFT P-47D may be assembled with various options, such as 'In-flight' features as retracted landing gear and 'spinning' propeller. Parts are also provided for a 'stationary' or 'ground' version with extended landing gear. Additionally, you may equip the model with underwing bombs or droptanks. A small plaque is also included for display with your model. Please review the assembly steps to become familiar with the parts before beginning assembly.

**PARTS LAYOUT DIAGRAM**



THUNDERBOLT