

For information on other available models contact:

Scale Models
PO Box 327
Dyersville, Iowa
(319)875-2436



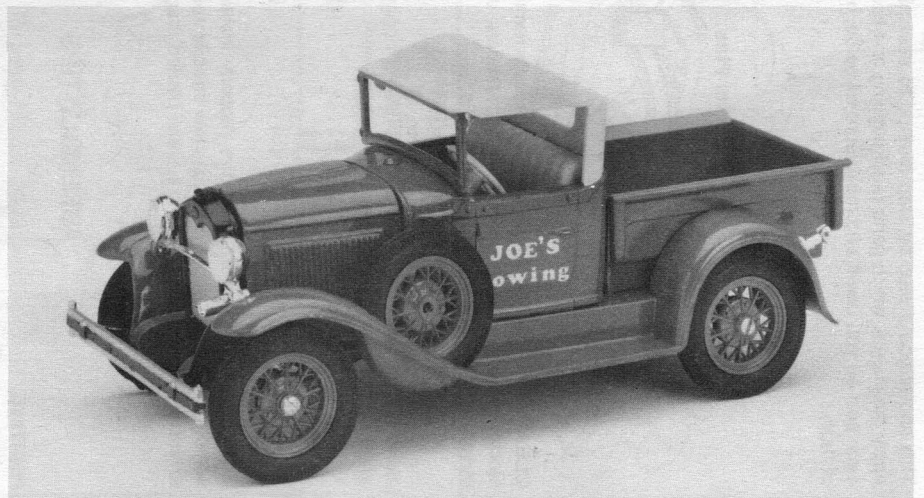
Scale Models

Quality Die Cast Model Makers

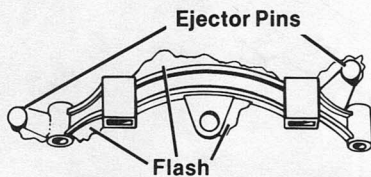
CAUTION: Not recommended for under 10 years of age. Kit contains unfinished metal parts. Care must be used when handling and removing metal flash.

Model A Ford Pickup

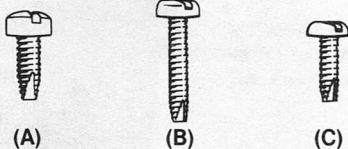
(1 of 7 Collector Models)
Manufactured in USA



IMPORTANT: Read all instructions before beginning to assemble your kit. This shows you a step by step method to assemble the parts, where to apply the decals, which parts require gluing and tips for painting. Cross off each part as you use it and make sure all screw holes are open and free of flash.



CLEAN-UP OF RAW CASTINGS: Carefully remove all metal flash and ejector pin pads. Recommended tools: standard or small pair of needle nose pliers, flat and round smooth cut file.



SCREWS: For correct fit, use the properly labelled screw for each assembly. For ease of assembly, rub screw threads against a bar of soap prior to using. We recommend using a small bladed magnetic screw driver.

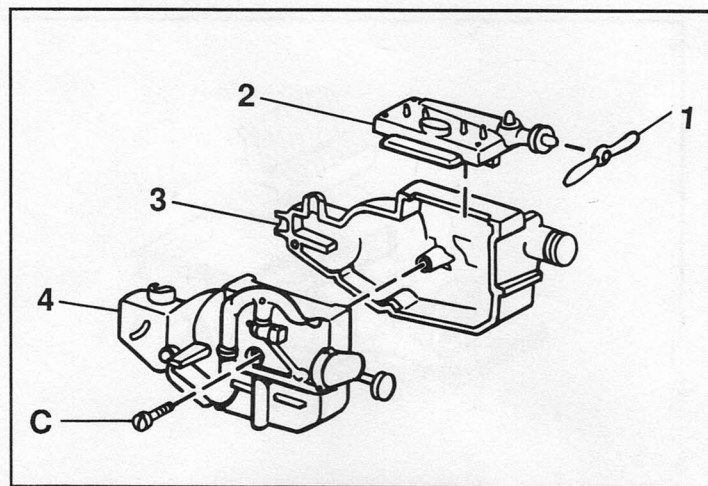
ASSEMBLY TIPS

PAINTING

1. Use fine steel wool to create a smooth surface.
 2. Do not paint until all surfaces are dust free.
 3. **CAUTION:** Do not paint near an open flame or heat source. Do painting in a well ventilated area.
 4. Choose the paint color of your choice.
 5. Apply one coat of lead-free lacquer or enamel paint.
 6. Allow to dry then rub lightly with fine steel wool.
 7. Apply second coat of paint.
 8. For two toning use standard masking tape.
- Paint Tip: Hang parts for painting by bending a paper clip into an "S" shape. Enamel is recommended for hand brushing.
Note: Paint may be purchased at your local model kit store.

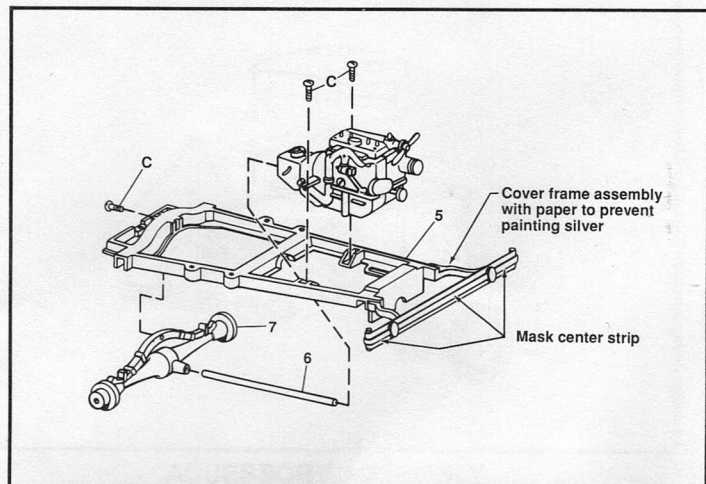
PLASTIC PARTS

1. Do not paint plastic parts with lacquer paint. Lacquer will cause wrinkling and cracking of the surface.
2. Before gluing plated plastic parts, scrape off the plating on the area where the glue will be applied. This will provide for proper adhesion. Select a glue suitable for both plastic and metal.



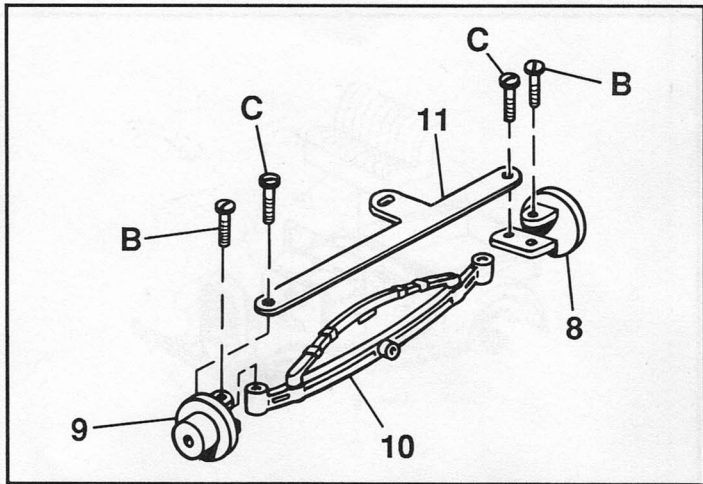
ENGINE ASSEMBLY

Press FAN (1) onto ENGINE HEAD (2). Attach LEFT ENGINE HALF (3) to RIGHT ENGINE HALF (4) with SCREW (C). Insert engine head with fan into the slot on top of engine before tightening Screw C.



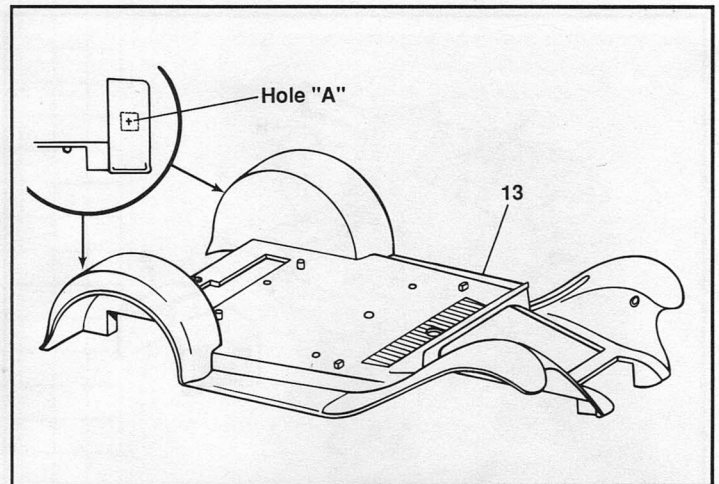
FIRST STAGE FRAME ASSEMBLY

Place engine on FRAME (5) and assemble with SCREWS (C). Insert DRIVE SHAFT (6) into engine and REAR AXLE (7). Position rear axle into frame and secure with SCREW (C). Paint Tip: Paint this assembly black. To add detail to bumper, mask off areas as marked and paint silver.



FRONT AXLE ASSEMBLY

Attach LEFT WHEEL DRUM (8) and RIGHT WHEEL DRUM (9) to FRONT AXLE (10) with SCREWS (B). Assemble TIE ROD (11) to both wheel drums with SCREWS (C). Paint Tip: Paint this assembly black.



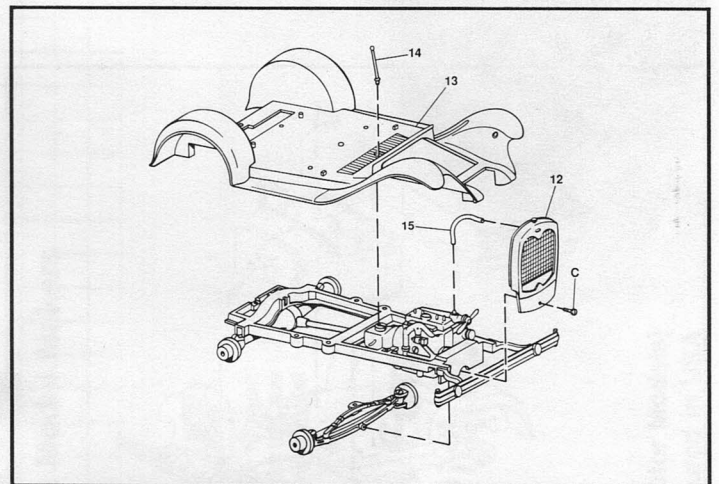
FENDER

Paint Tip: Prior to painting FENDER (13), drill hole 'A' with a 3/32 diameter drill bit in both fenders. Paint fender black or the same color as the body.



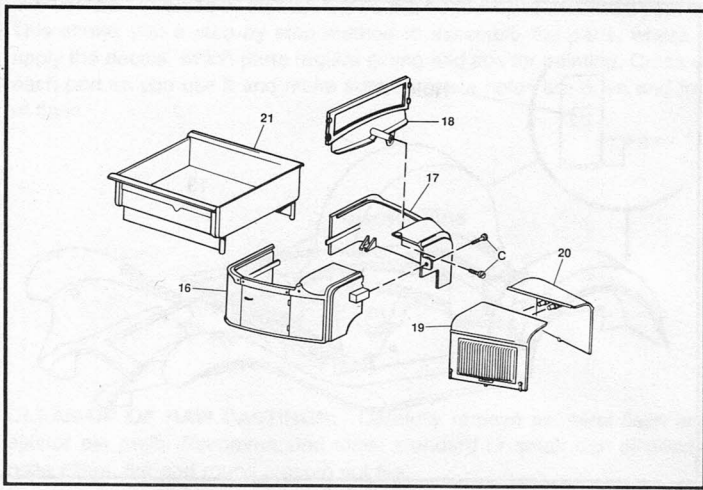
RADIATOR

Paint Tip: Paint RADIATOR (12) black. Using masking tape, cover the area around the grille. Paint grille silver.



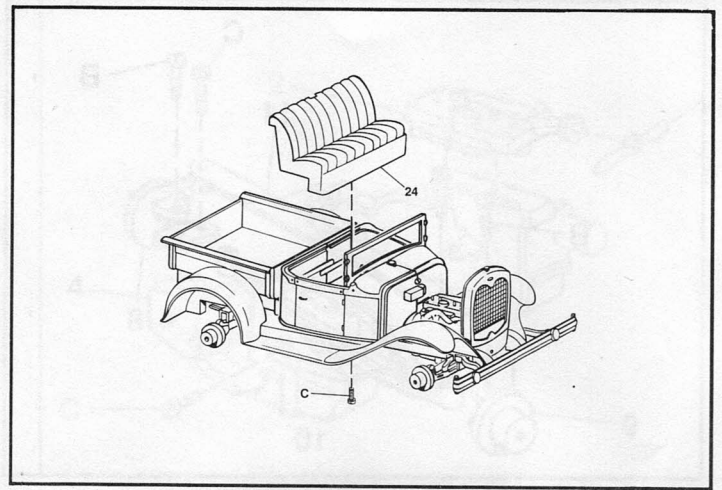
FENDER-FRAME ASSEMBLY

Position FENDER (13) on frame. Hold in place with a rubberband around the axle area. Glue GEAR SHIFT (14) to motor. Attach front axle assembly and RADIATOR (12) to frame with SCREW (C). Install RADIATOR HOSE (15) to engine and radiator.



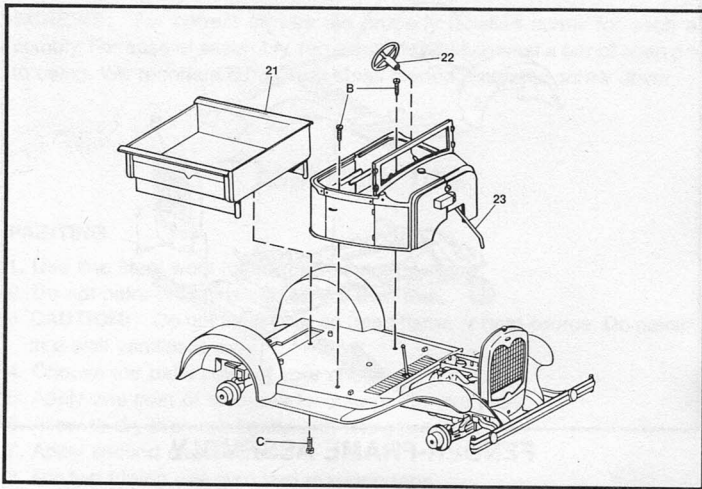
HOOD-BODY-BOX ASSEMBLY

Assemble RIGHT BODY (16) to LEFT BODY (17) with SCREW (C). Position DASHBOARD (18) inside body and secure with SCREW (C). Press RIGHT HOOD (19) into LEFT HOOD (20). Paint Tip: Paint body, hood and BOX (21) the same color.



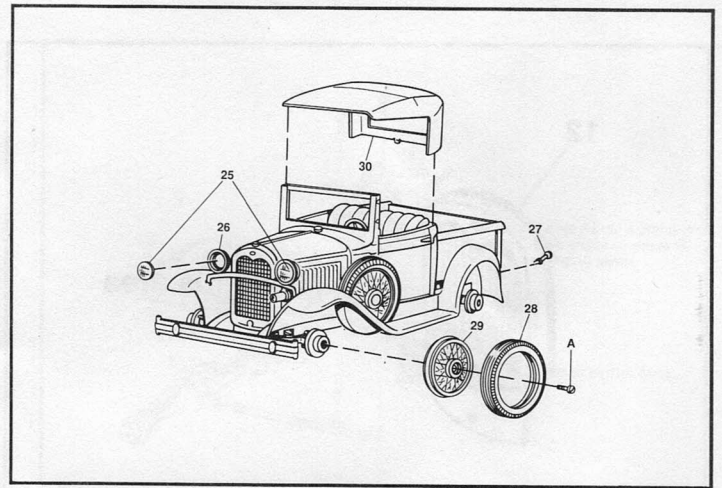
SEAT ASSEMBLY

Position SEAT (24) inside body and secure with SCREW (C).



BODY-FRAME ASSEMBLY

Remove rubberband and attach BOX (21) to the frame with SCREW (C). Press STEERING WHEEL (22) onto STEERING SHAFT (23) and insert through dashboard bracket. As you position the body on the fender-frame assembly, insert the bent end of the steering shaft into the tie rod. Attach body to frame with SCREWS (B).



ACCESSORY ASSEMBLY

Glue HEAD LIGHT LENSES (25) into HEAD LIGHT BRACKET (26) and press assembly into front fenders. Glue TAIL LIGHTS (27) to the rear fender. Mount TIRE (28) to RIM (29). Repeat five times. Attach tire assembly to front and rear wheel drums with SCREW (A). The remaining tire assembly will mount into the fender well. Place TOP (30) on top of body. Position hood over engine. To complete your model apply 'Joes Towing' decal on doors.