

Turkish Air Force F-16C



Turkish Air Force F-16C

The Turkish Air Force has a total of 270 F-16C/D aircraft in its inventory, all of them are Block 30/40/50 models. Turkey is one of five countries to produce F-16s locally.

On October 2007, Turkish Air Force celebrated the 20th anniversary of its F-16 aircraft operations in Ankara. 143rd ONCEL Squadron is the first unit equipped with F-16 Falcons in Turkish Air Force service. Currently 143rd squadron is responsible for training F-16 Pilots.

The annual international Anatolian Eagle exercise held at Turkey's Konya air base, against a backdrop of continued fighting against ISIL in Syria and Iraq, the conflict in Yemen between Shiite Houthi rebels and pro-government forces along with the constant unease in Libya. With so much uncertainty so close to Turkey's doorstep the need to train and cooperate with NATO and its Middle East allies has never been more important.

CAUTION

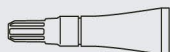
- *Read carefully and fully understand the instructions before commencing assembly.
- *Keep out of reach of children. Children must not be allowed to put any parts in their mouths, or pull plastic bag over their heads.
- *When using adhesives and paints, please make sure not to use them in closed room or near the fire.
- *When assembling this kit, tools including knives are used. Extra care should be taken to avoid injury.

WARNING: CONTAIN SMALL PARTS NOT FOR CHILDREN UNDER 14 YEARS OF AGE.



TOOLS RECOMMENDED

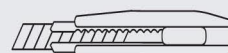
Cement



Side Cutter

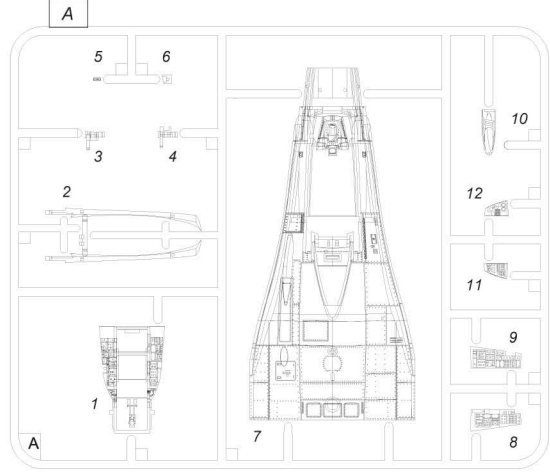
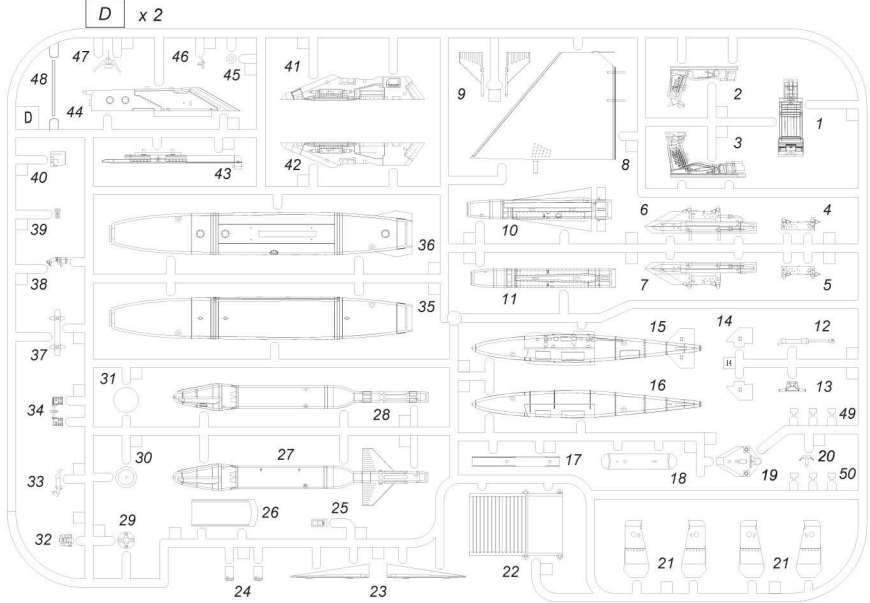
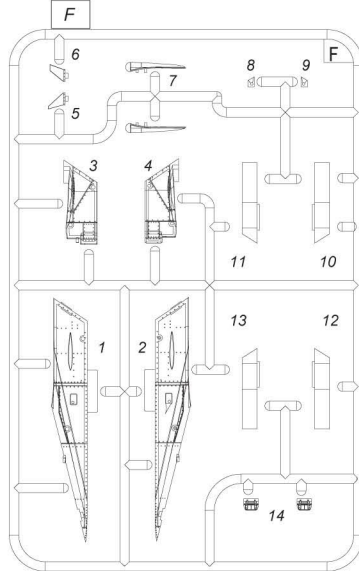
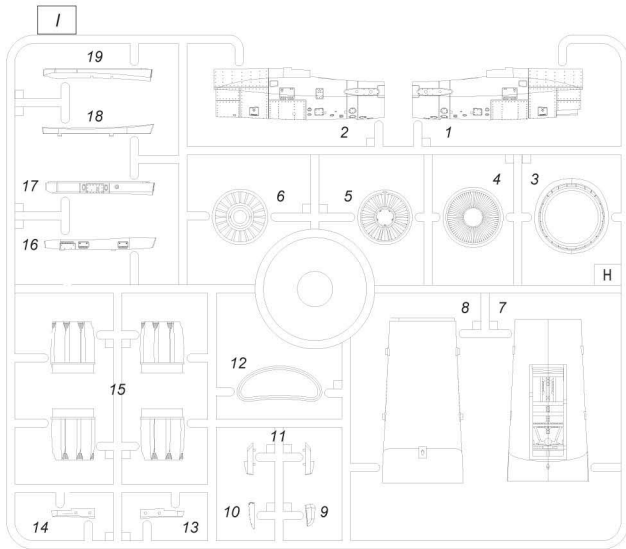
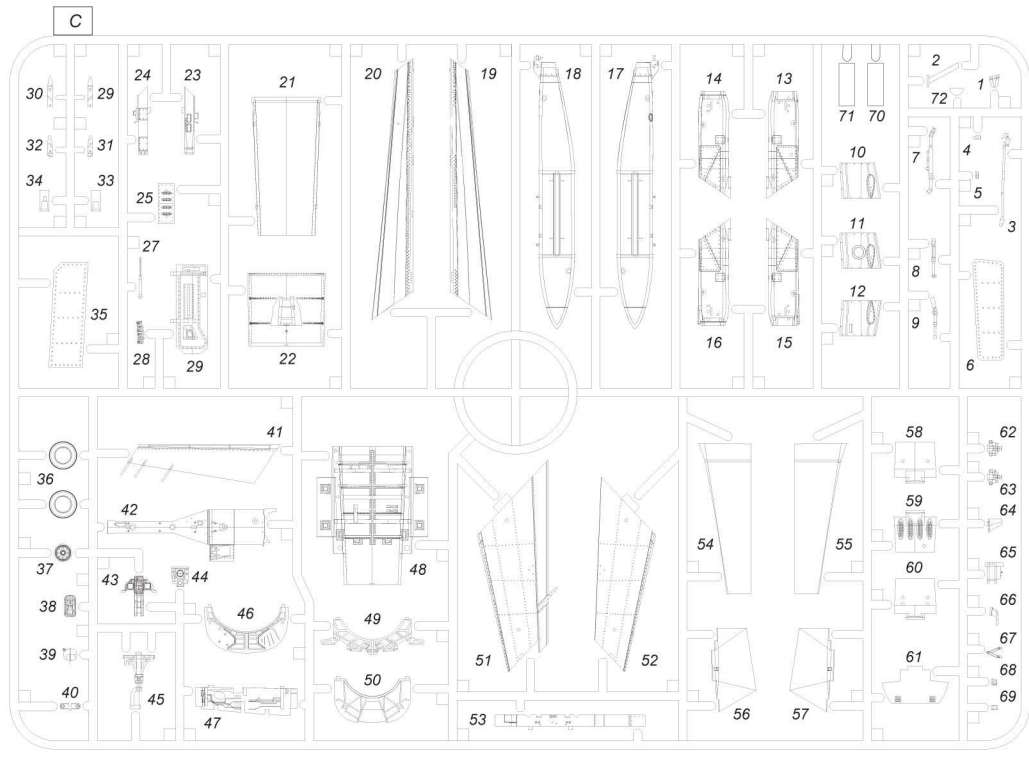


Modeling Knife



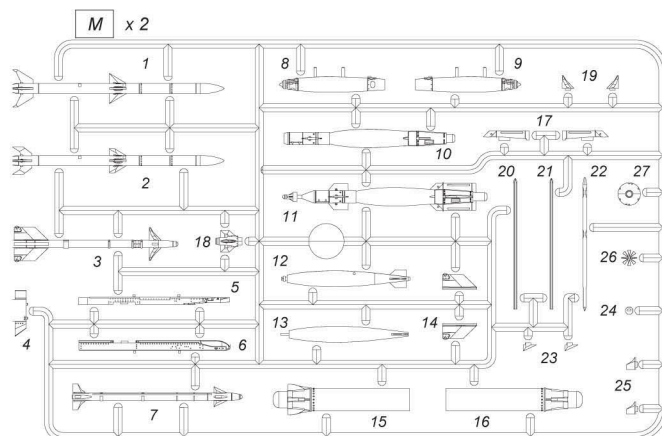
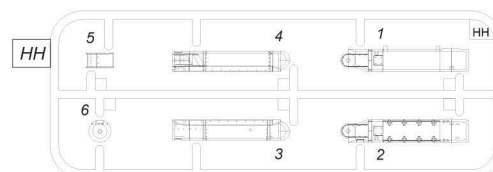
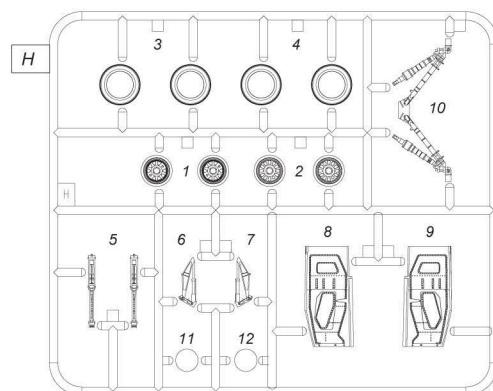
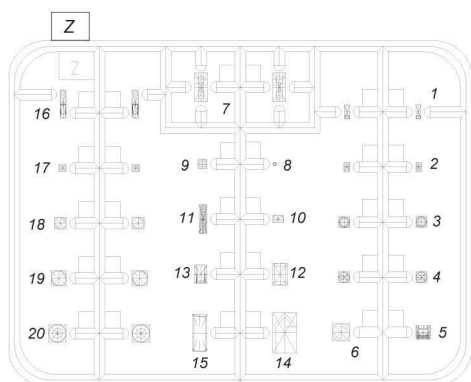
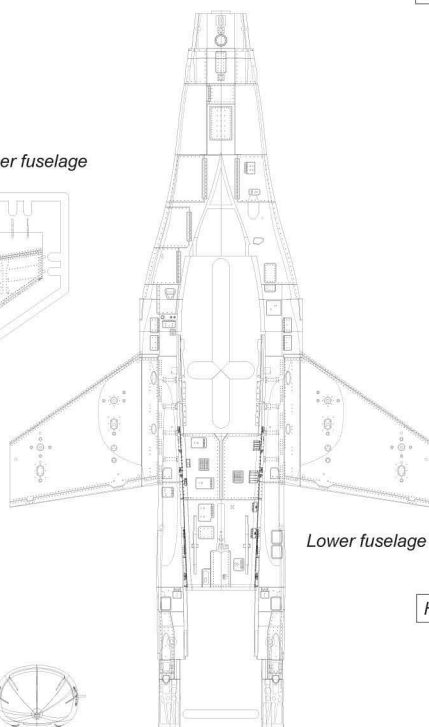
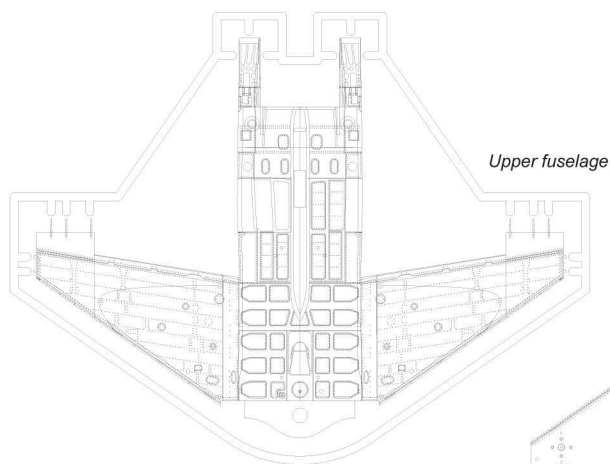
Tweezers





1/48 SCALE AIRCRAFT SERIES NO: K48069

Some parts are not for use. For those parts not shown in the construction manual, please simply neglect them as they will not be used for building this model.



AFTERMARKET SERVICES CARD

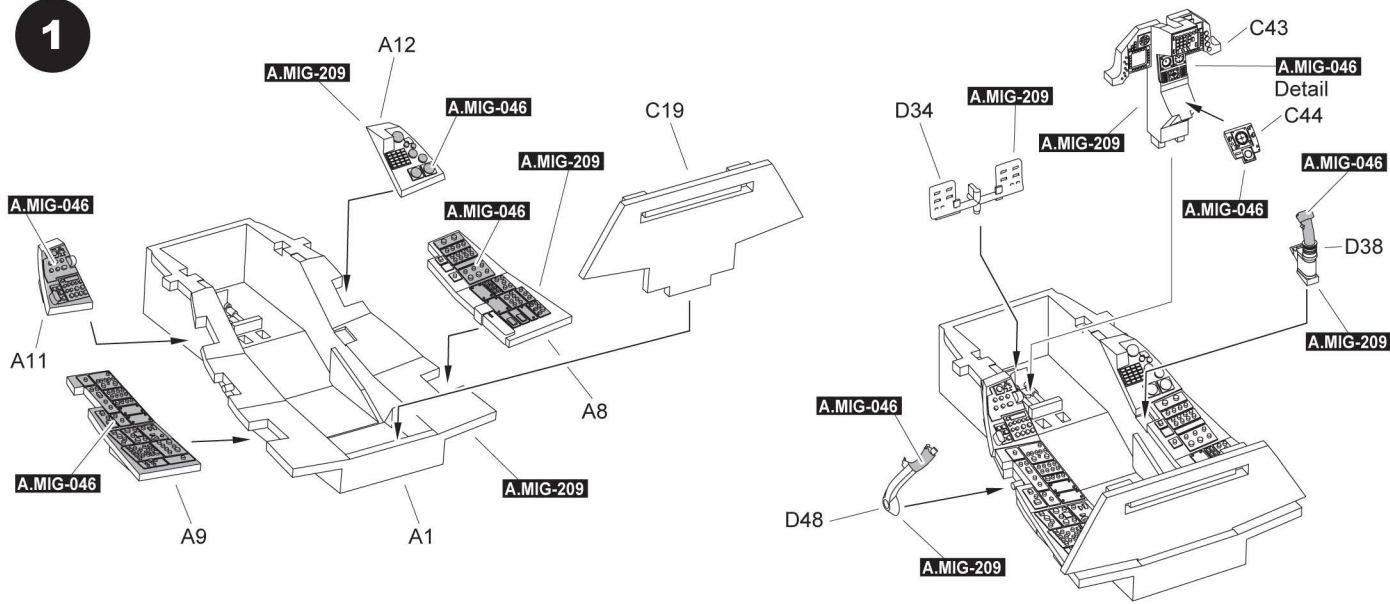
When requesting replacement parts, please take or send this form to your local dealer so that the parts required can be correctly identified. Please note that specifications and availability are subject to change without notice.

or visit <http://www.kineticmodel.com> for latest information.

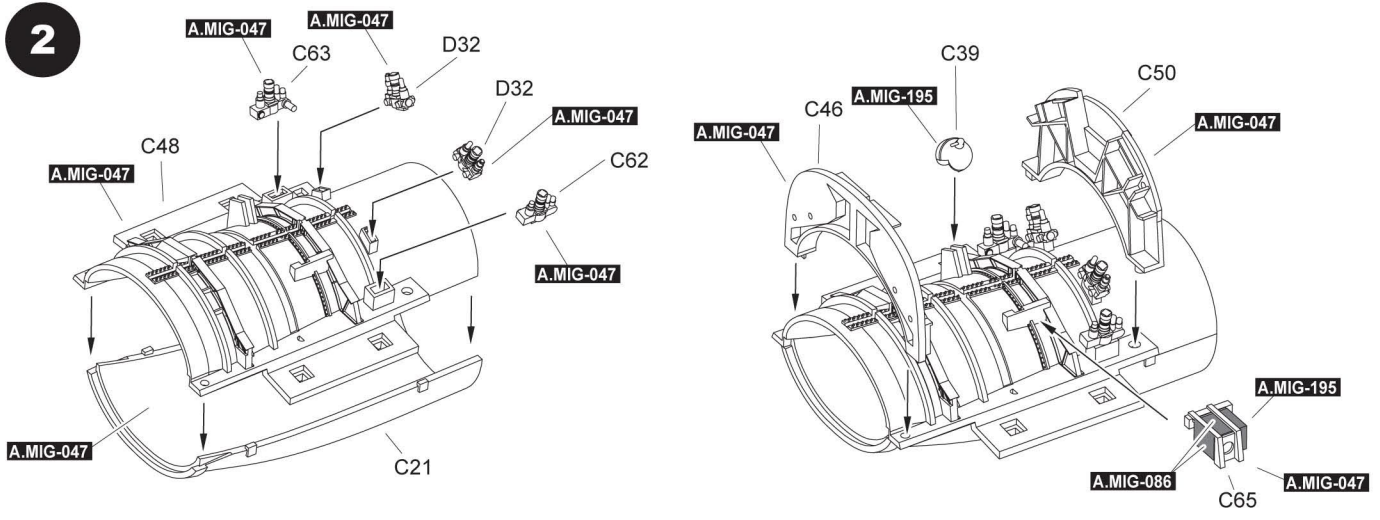
For more information, please contact services@kineticmodel.com

Part Code	K48069	Qty	Item
00-100-011	F-16 SINGLE SEAT FRONT FUESLAGE PARTS A	1	A
00-100-013	F-16 MAIN PARTS 0207 - PARTS C	1	C
00-100-014	F-16 PARTS - 370 GAL FUEL TANK (PARTS D)	2	D
00-100-016	F-16C/D VERTICAL FIN PARTS (MT-F16-016) PARTS F	1	F
00-100-018	F-16 BLOCK 40/50 LANDING GEEAR PARTS H	1	H
00-100-019	MCID INTAKE - PARTS I	1	I
00-100-021	WEAPON SET (AIM-9x,9M,120B/C,GBU-12) PARTS M	2	M
00-100-022	CLEAR PARTS FOR F-16 - PARTS Z	1	Z
00-100-030	LARTIN POD PARTS GG	1	GG
00-100-031	AAQ-13/AAQ-14 PARTS HH	1	HH
00-100-034	UPPER BACK FUESLAGE TYPE (C/D) PARTS C/D	1	
00-100-035	F-16 NOSE STANDARD	1	
00-100-038	F-16 SINGLE SEAR CANOPY FRONT/REAR PART	1	
00-100-039	F-16 SINGLE CANOPY BACK PART	1	
00-100-040	F-16 LOWER FUESLAGE	1	
01-100-48069	1/48 Turkish Air Force F-16C DECAL	1	
03-100-48069	1/48 Turkish Air Force F-16C MANUAL	1	

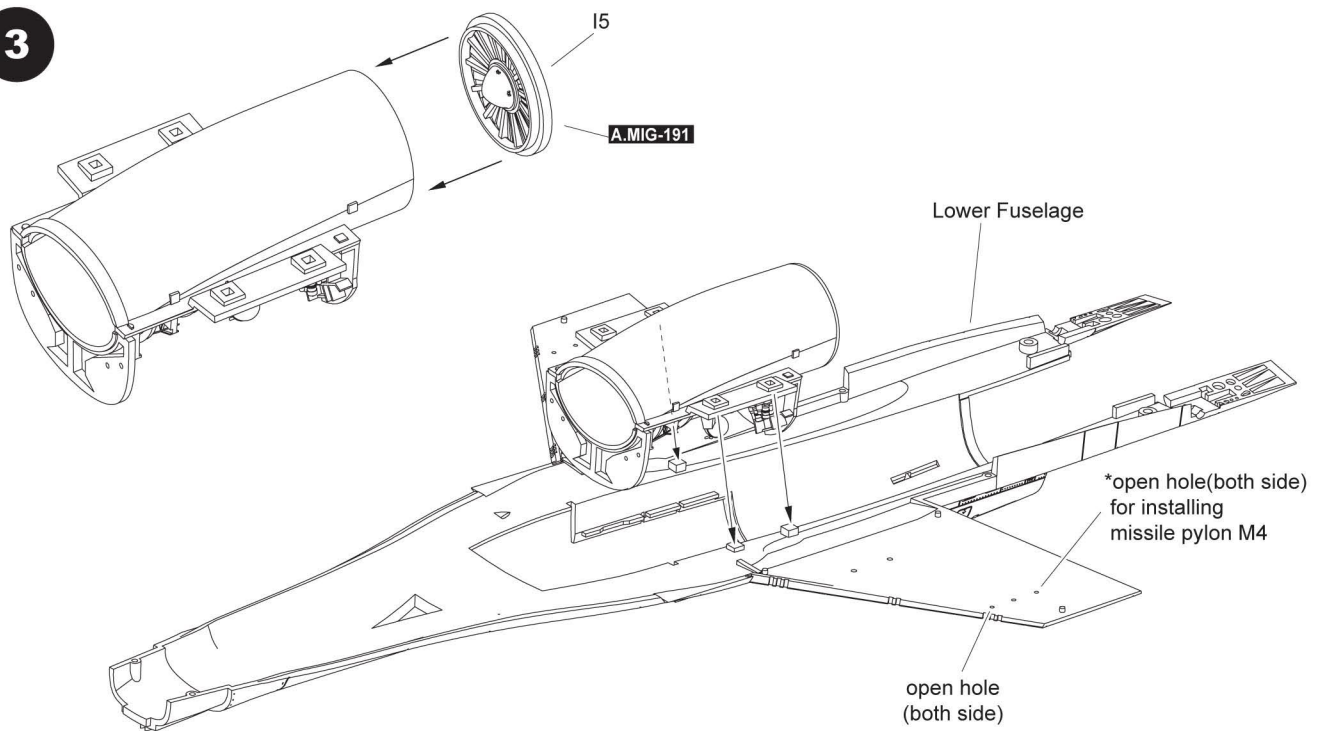
1



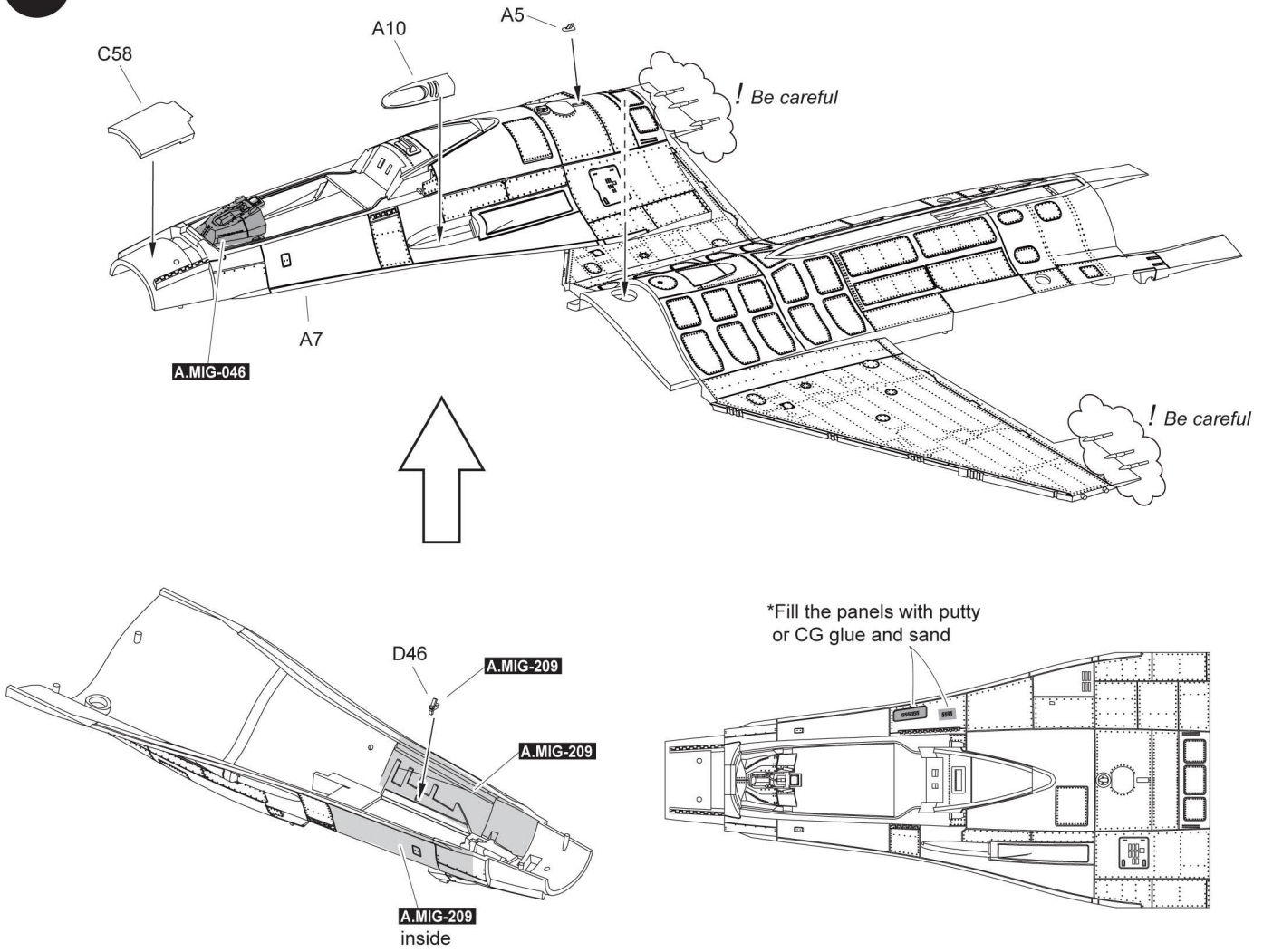
2



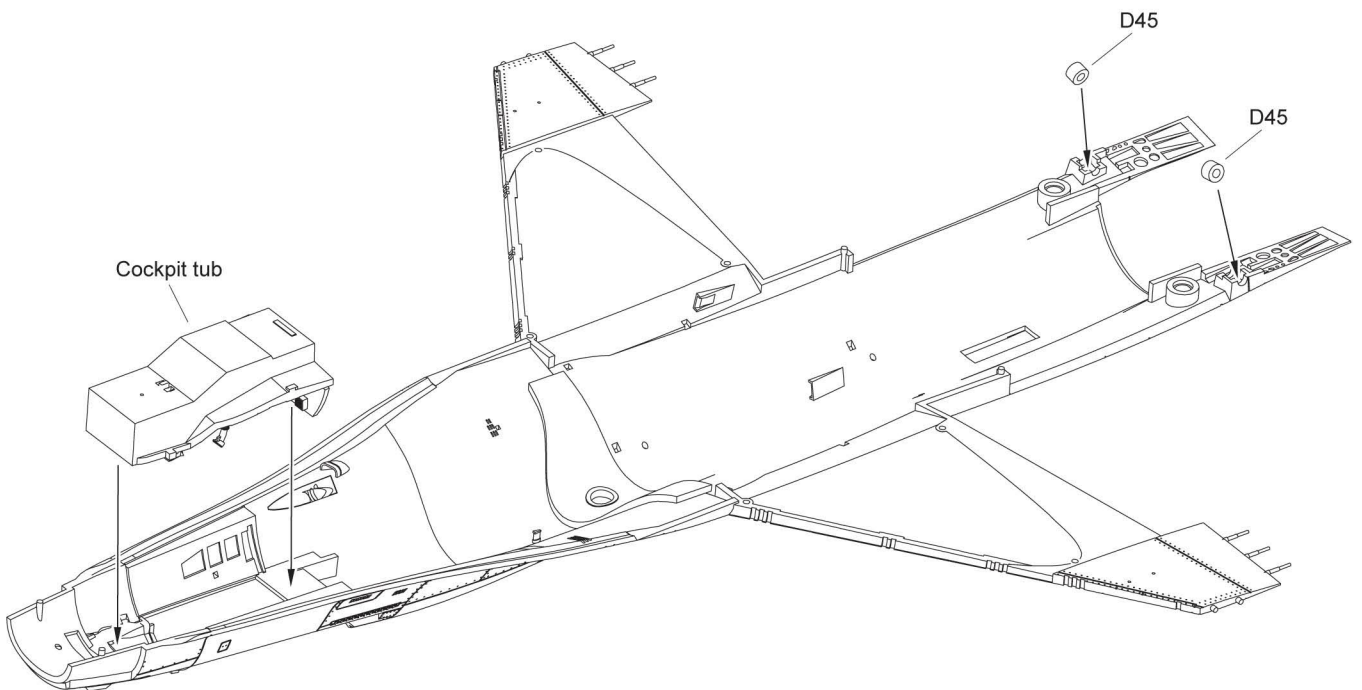
3



4

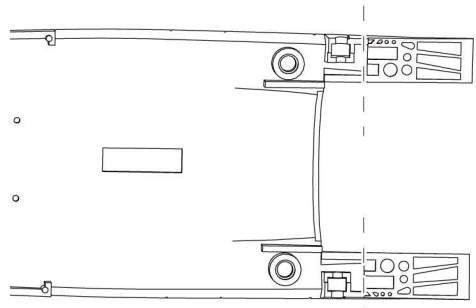


5

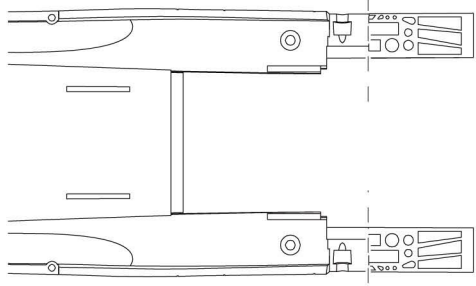


6

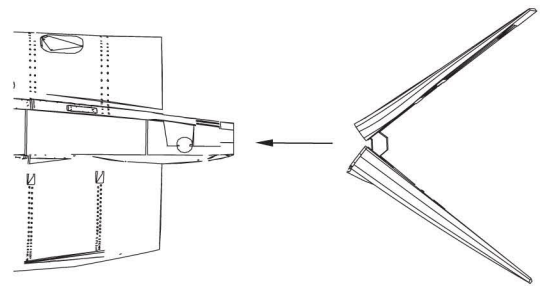
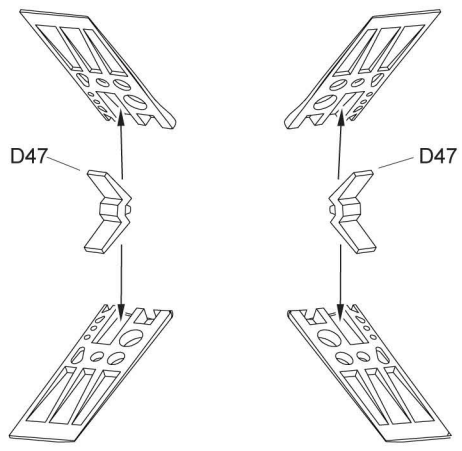
Cut along the lines for open air brake



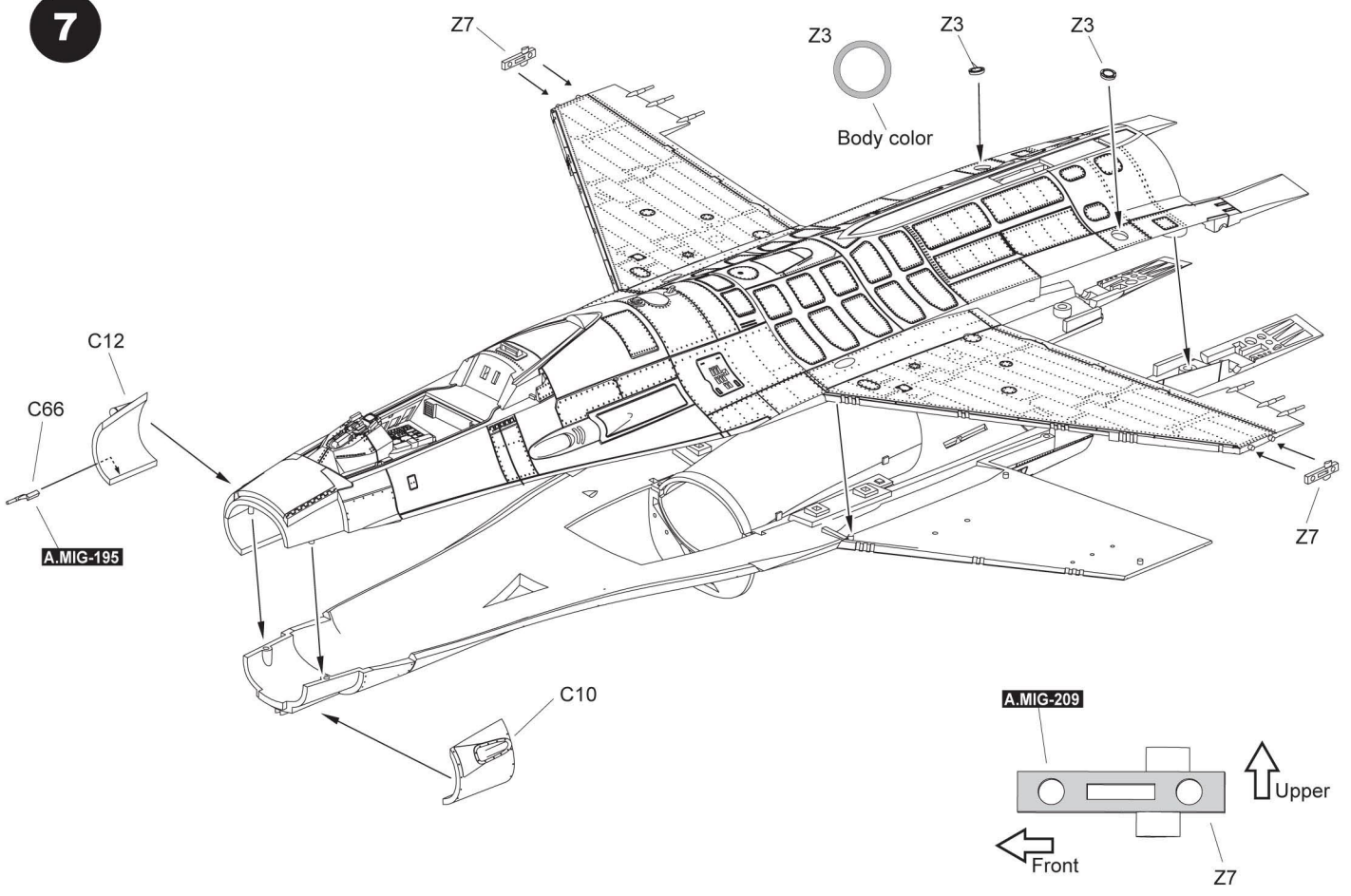
Upper Fuselage

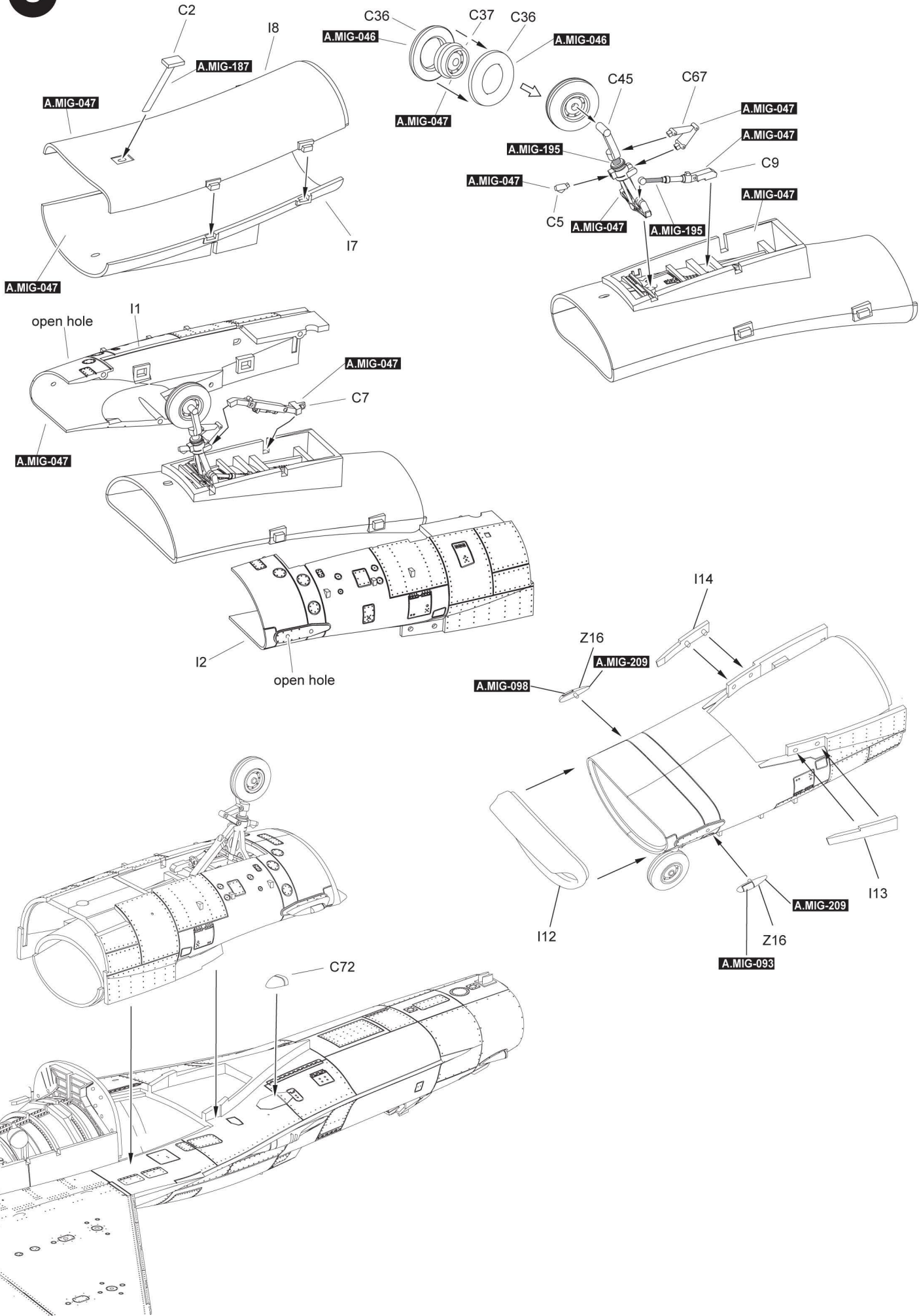


Lower Fuselage

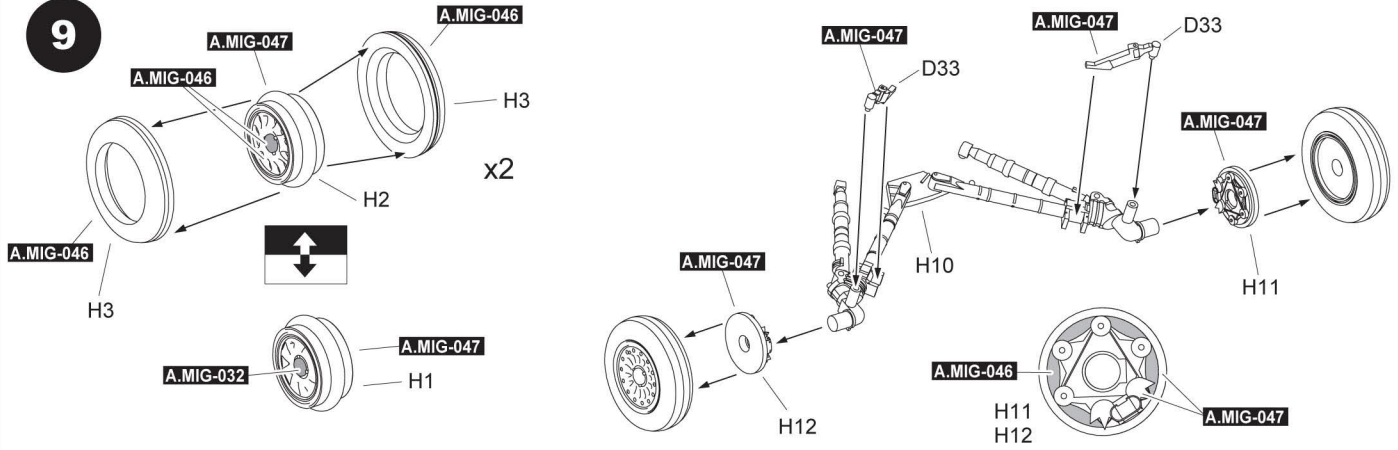


7

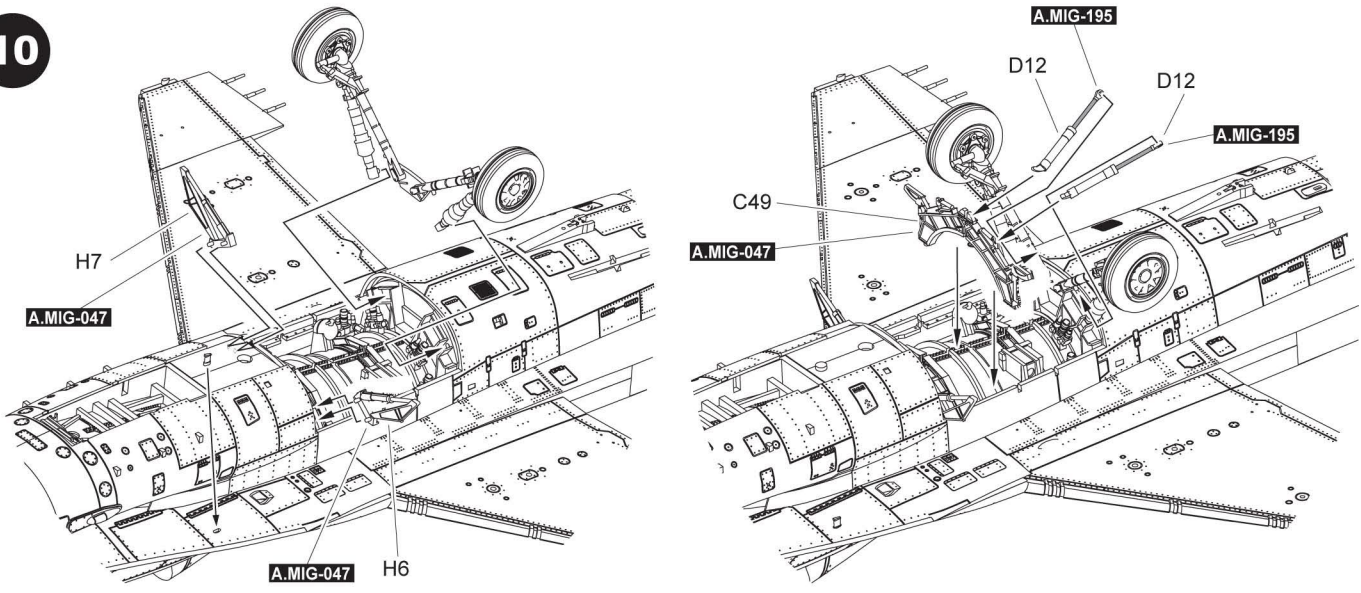




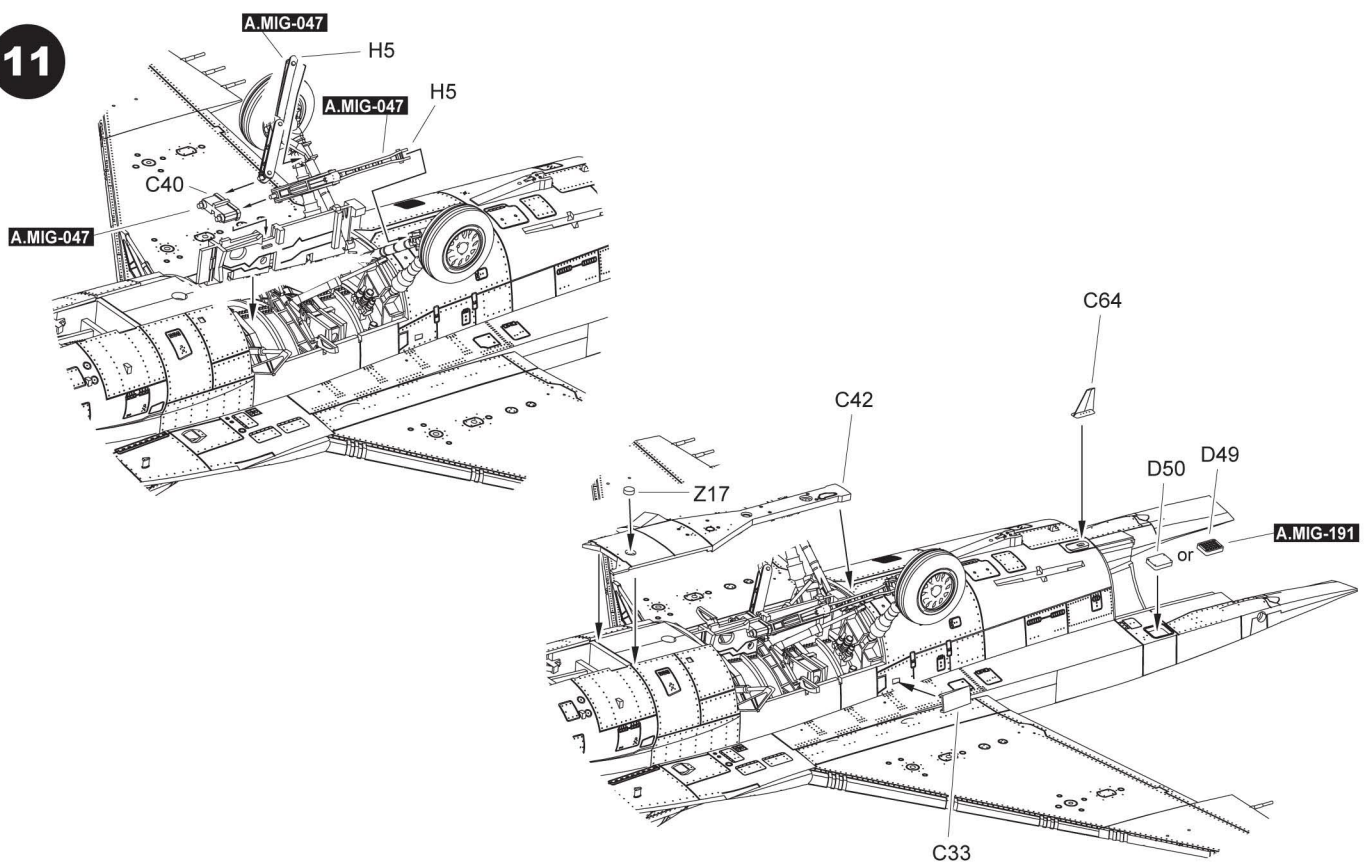
9

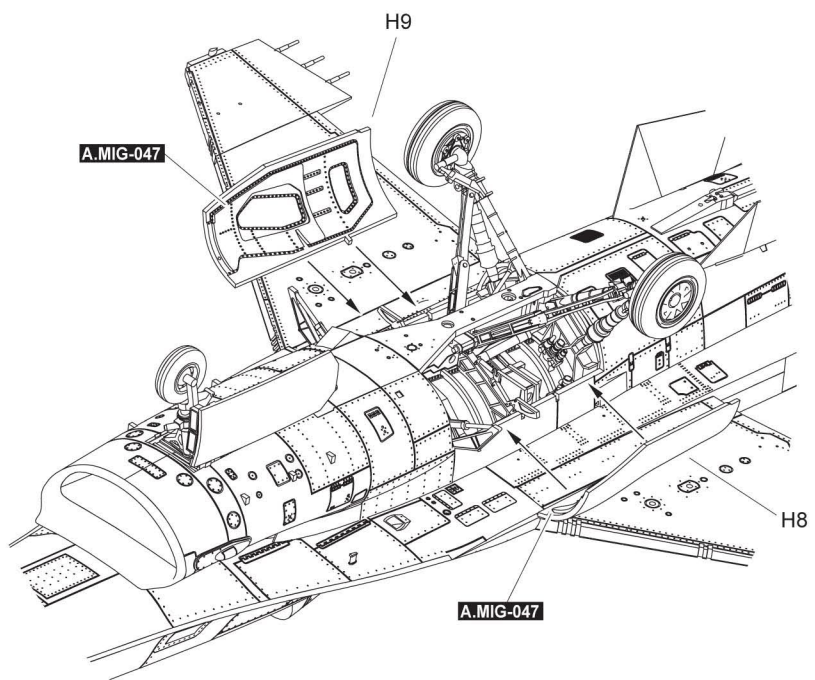
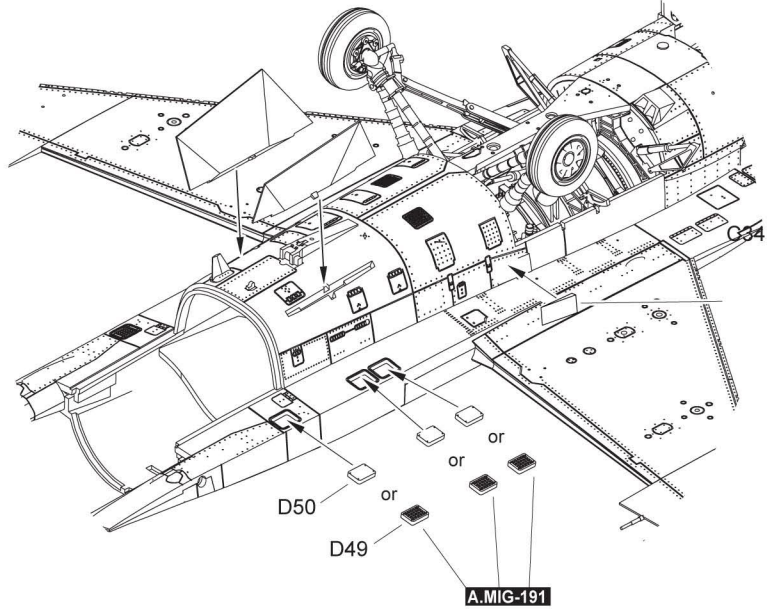
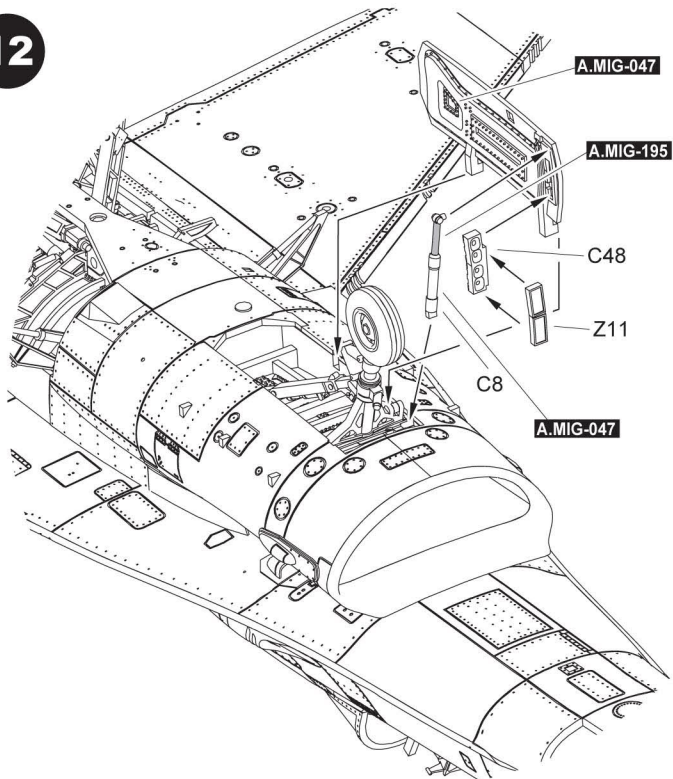


10

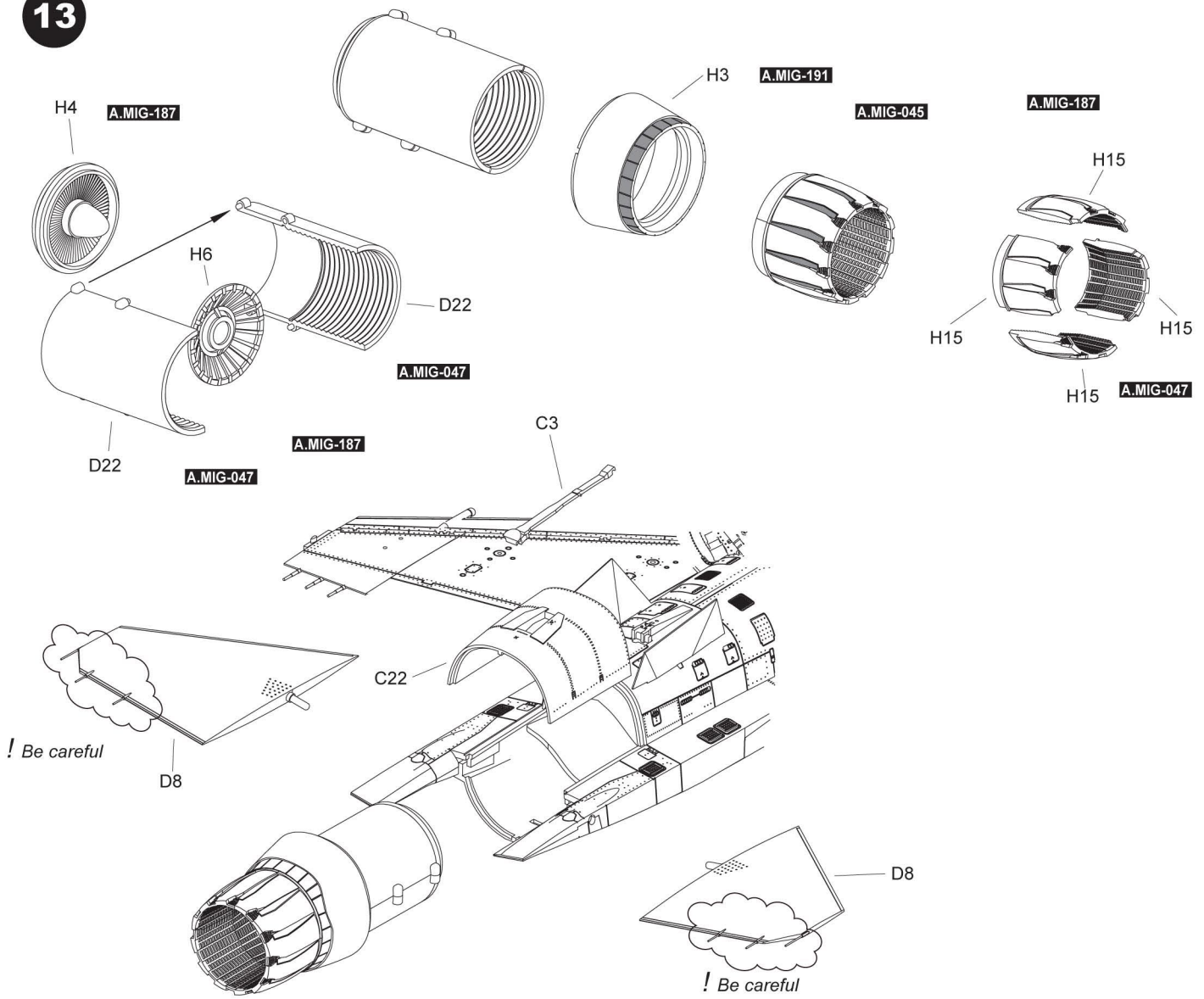


11

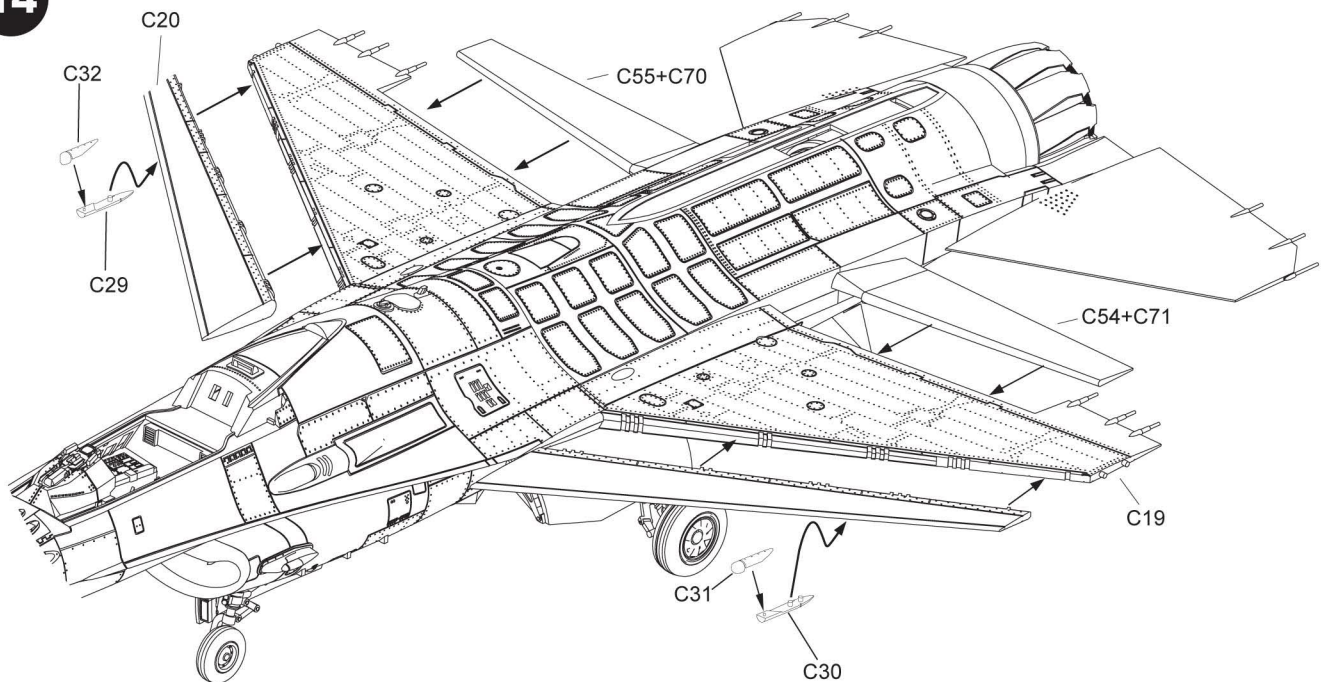




13



14



A.MIG-195

C24

! Be careful

C52

C51

C41

F2

*Marking 1,2

A.MIG-211

*Install C38 First, then the two halves of C13,C15

F6

E8

Make Holes

C38

C13

E8

Make Holes

C15

F1



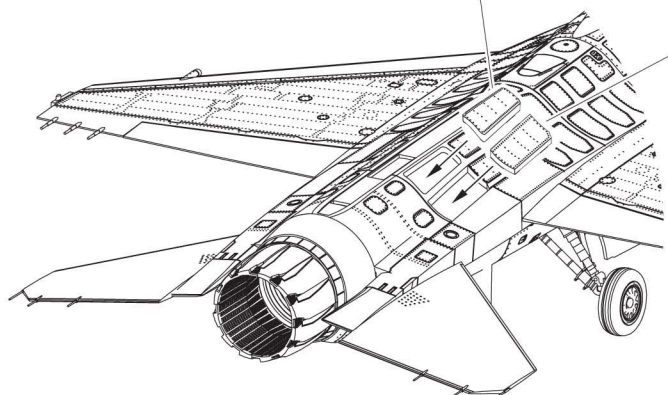
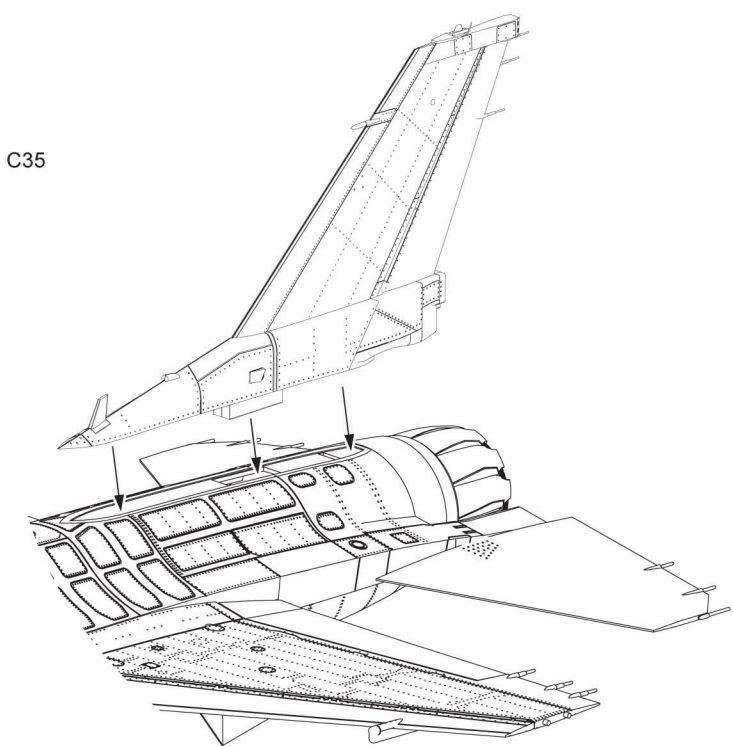
*Marking 3

F4

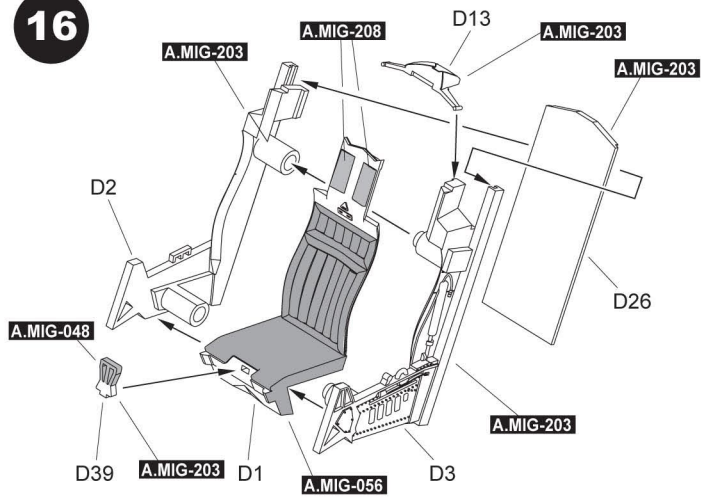
F3

C6

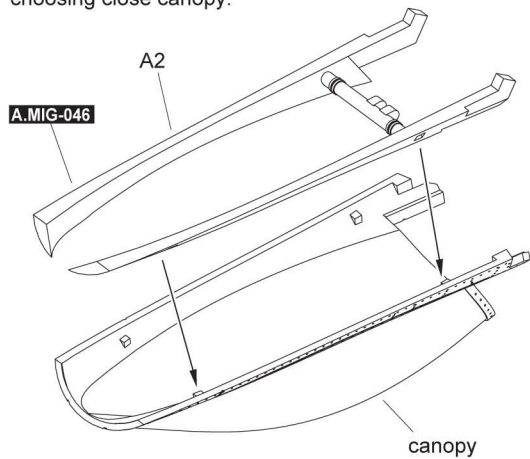
C35



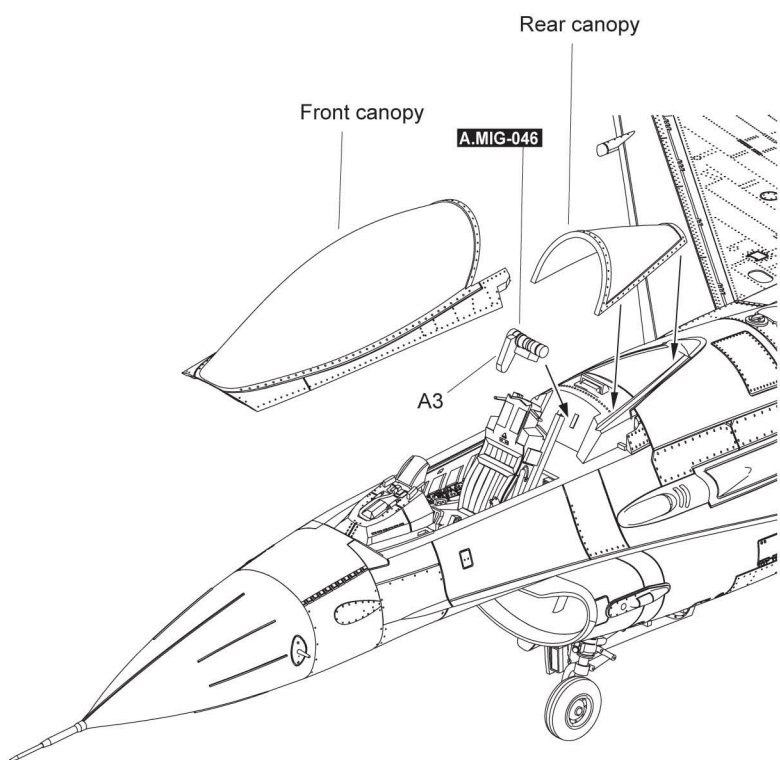
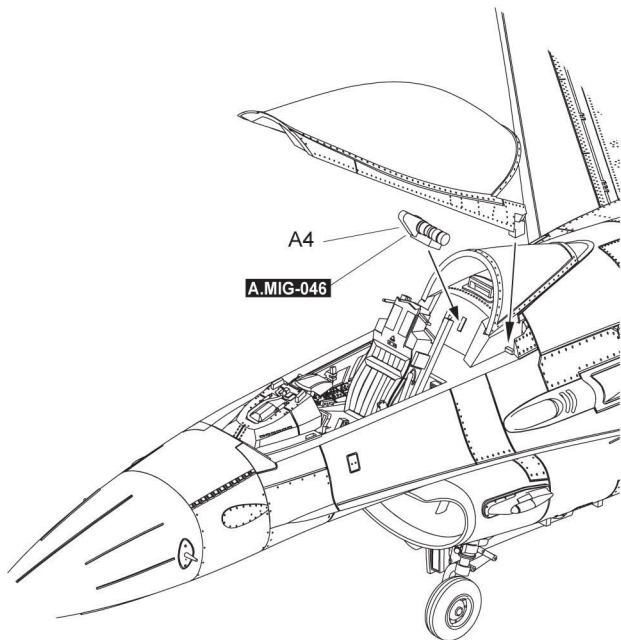
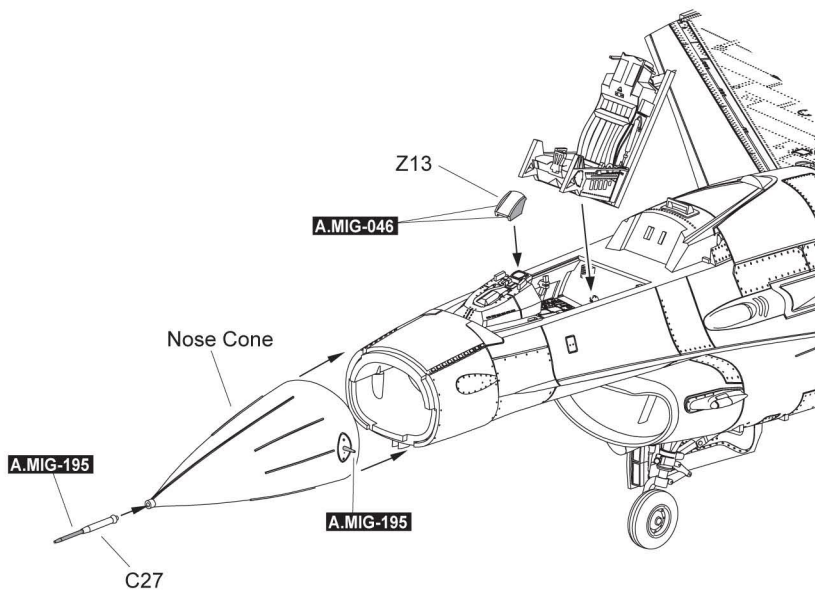
16



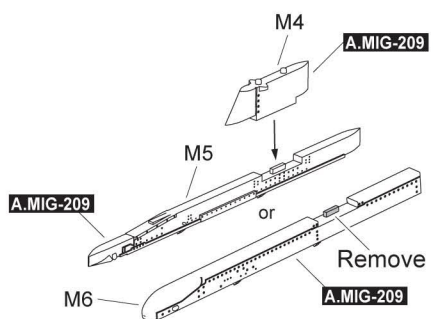
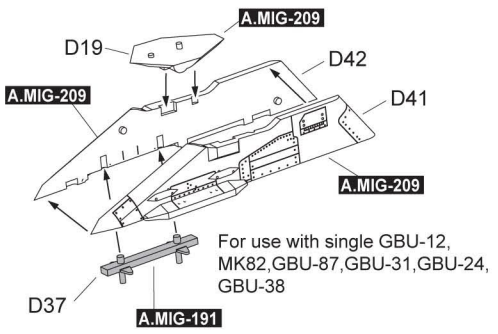
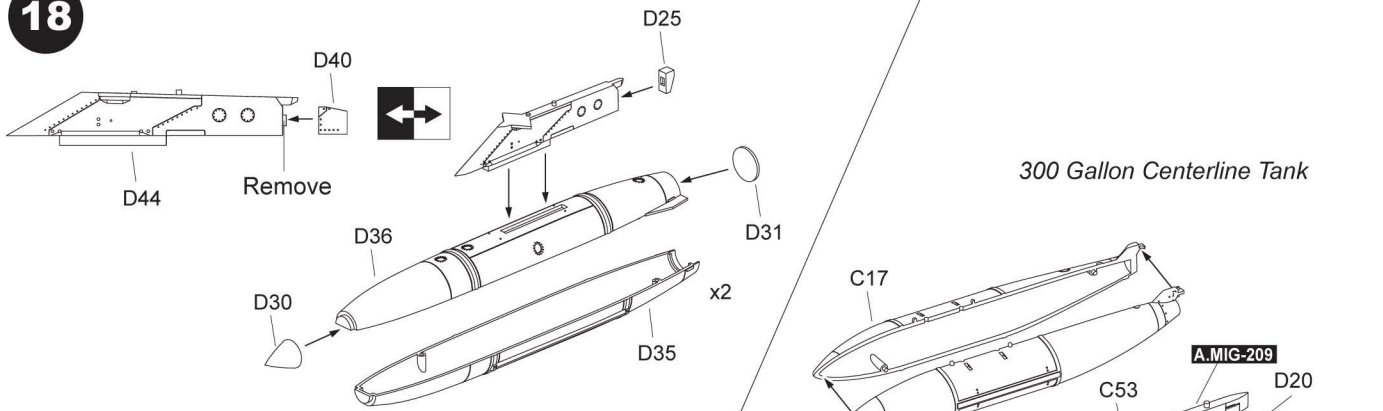
*Do not install A2 when choosing close canopy.



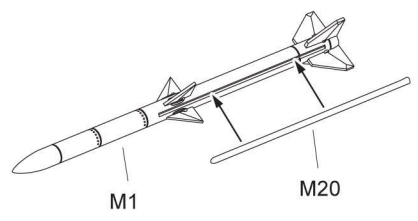
17



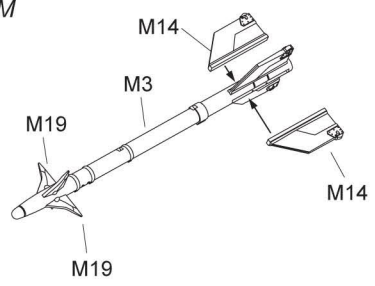
18



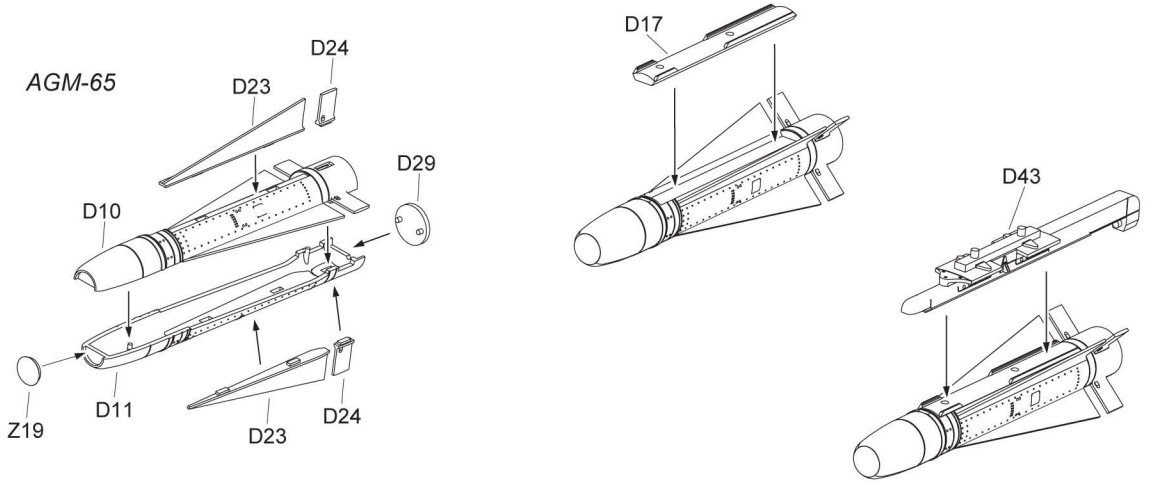
AIM-120B



AIM-9M

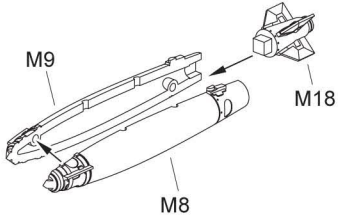


19

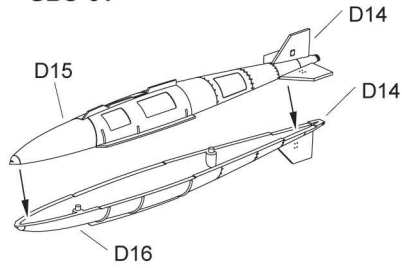


20

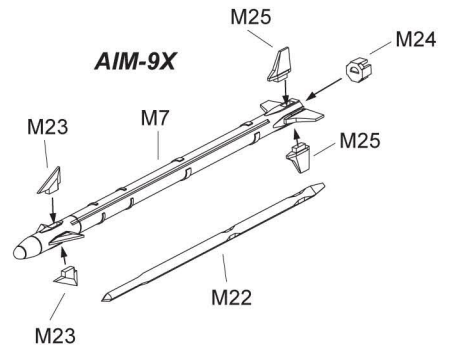
GBU-38



GBU-31

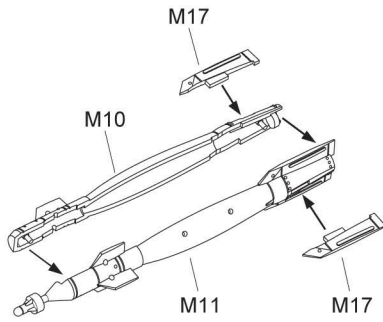


AIM-9X

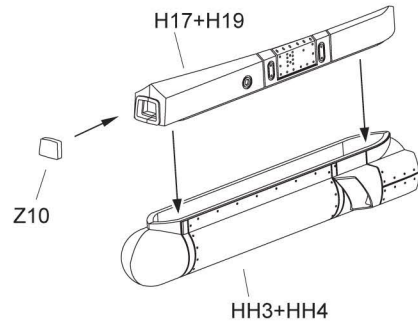


21

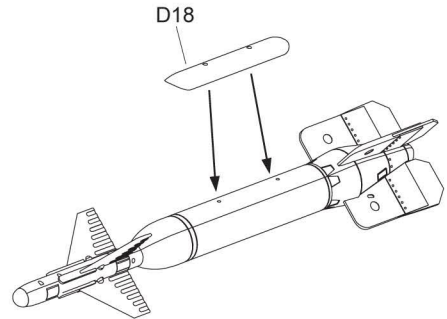
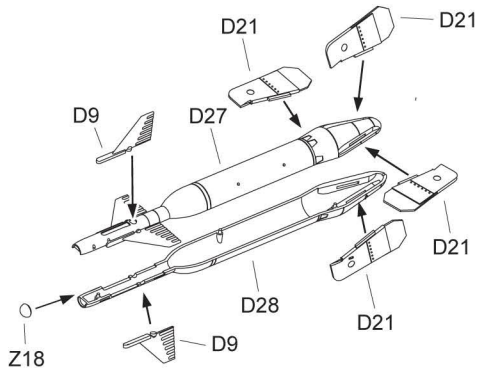
GBU-12



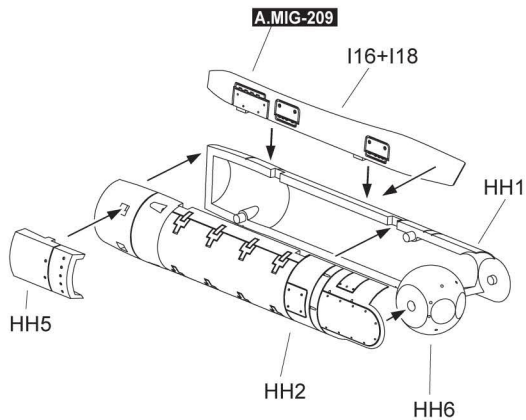
AN/AAQ-13



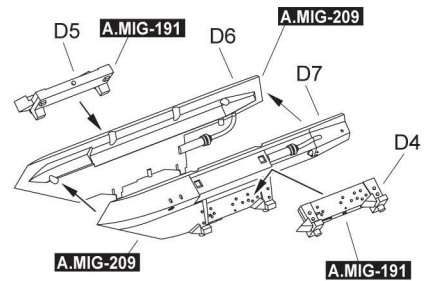
GBU-24



AAQ-28



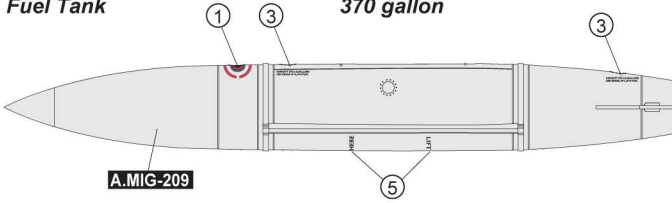
TER



Painting & Decal Placement - External Stores

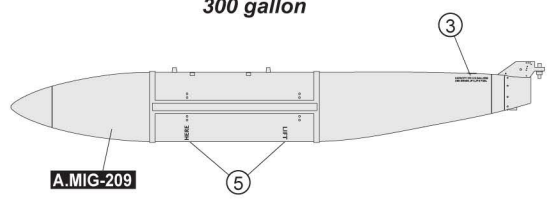
Fuel Tank

370 gallon



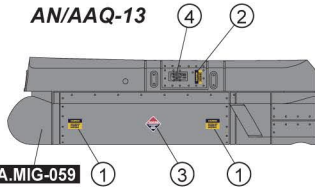
A.MIG-209

300 gallon

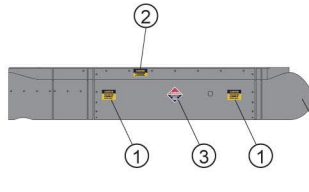


A.MIG-209

AN/AAQ-13

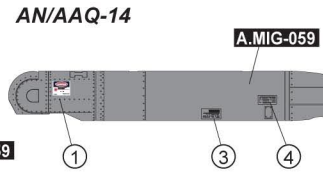


A.MIG-059

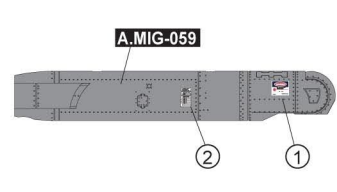


A.MIG-059

AN/AAQ-14

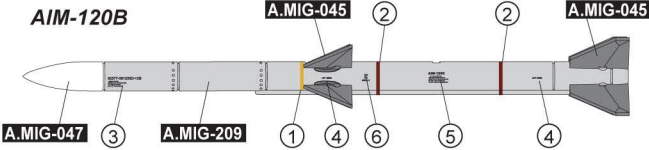


A.MIG-059



A.MIG-059

AIM-120B



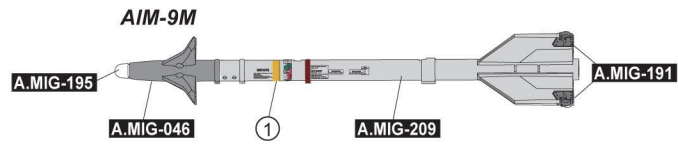
A.MIG-045

A.MIG-045

A.MIG-047

A.MIG-209

AIM-9M



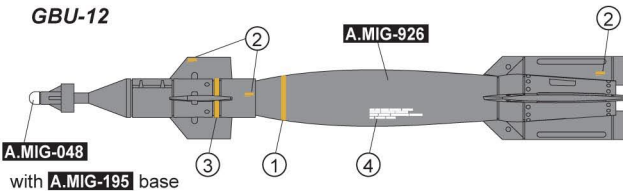
A.MIG-195

A.MIG-046

A.MIG-209

A.MIG-191

GBU-12

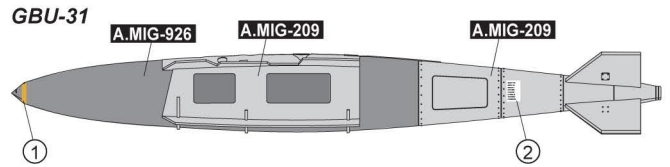


A.MIG-048

with **A.MIG-195** base

A.MIG-926

GBU-31

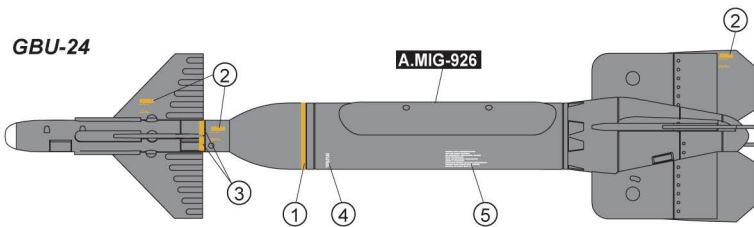


A.MIG-926

A.MIG-209

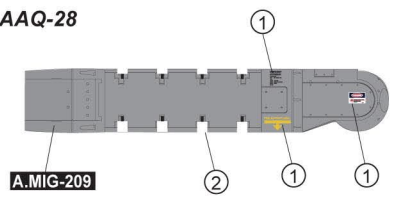
A.MIG-209

GBU-24



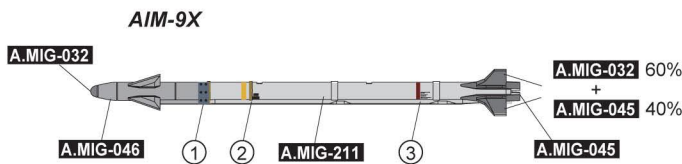
A.MIG-926

AAQ-28



A.MIG-209

AIM-9X



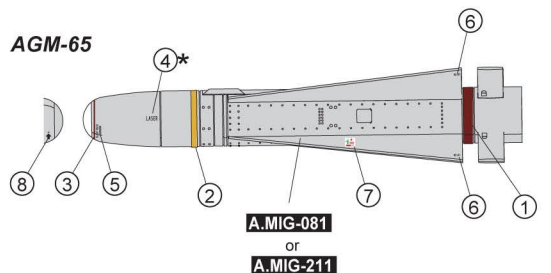
A.MIG-032

A.MIG-032 60%

+ **A.MIG-045** 40%

A.MIG-045

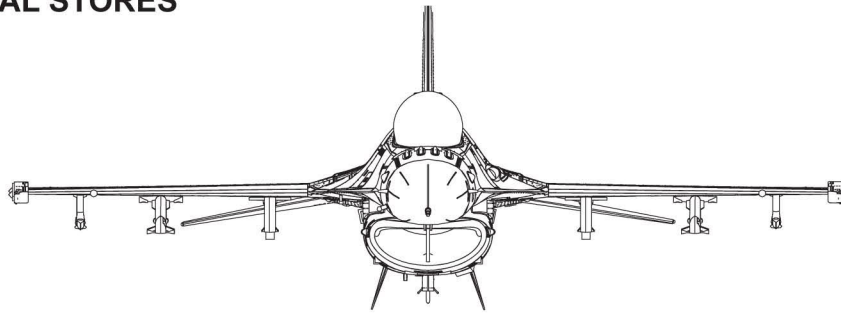
AGM-65



A.MIG-081

or **A.MIG-211**

EXTERNAL STORES



Station No.	9	8	7	6	5R	5	5L	4	3	2	1
Weapons											
LAU-114 (W/AIM-9M only)	●	●								●	●
LAU-129	●	●								●	●
AIM-9M	●	●								●	●
AIM-120B (W/LAU-129 only)	●	●								●	●
MK.82			●						●		
MK.82 (W/TER)			● ●						● ●		
GBU-12			●						●		
GBU-12 (W/TER)			● ●						● ●		
GBU-31			●						●		
GBU-24			●						●		
AGM-65			●						●		
370gal. Fuel tank				●				●			
300gal. Fuel tank						●					
AN/AAQ-13							●				
AAQ-28					●						

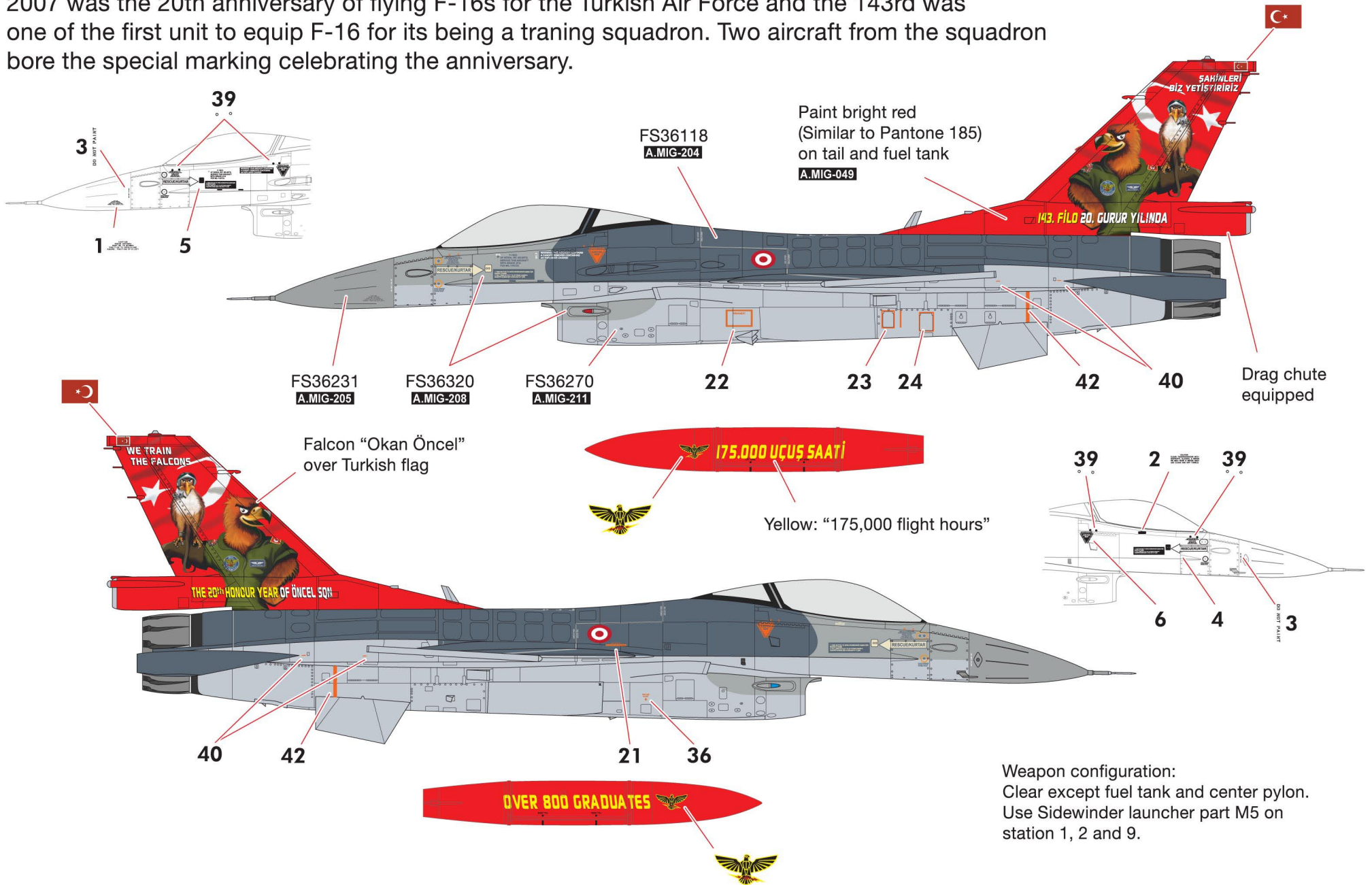


PAINT INDEX

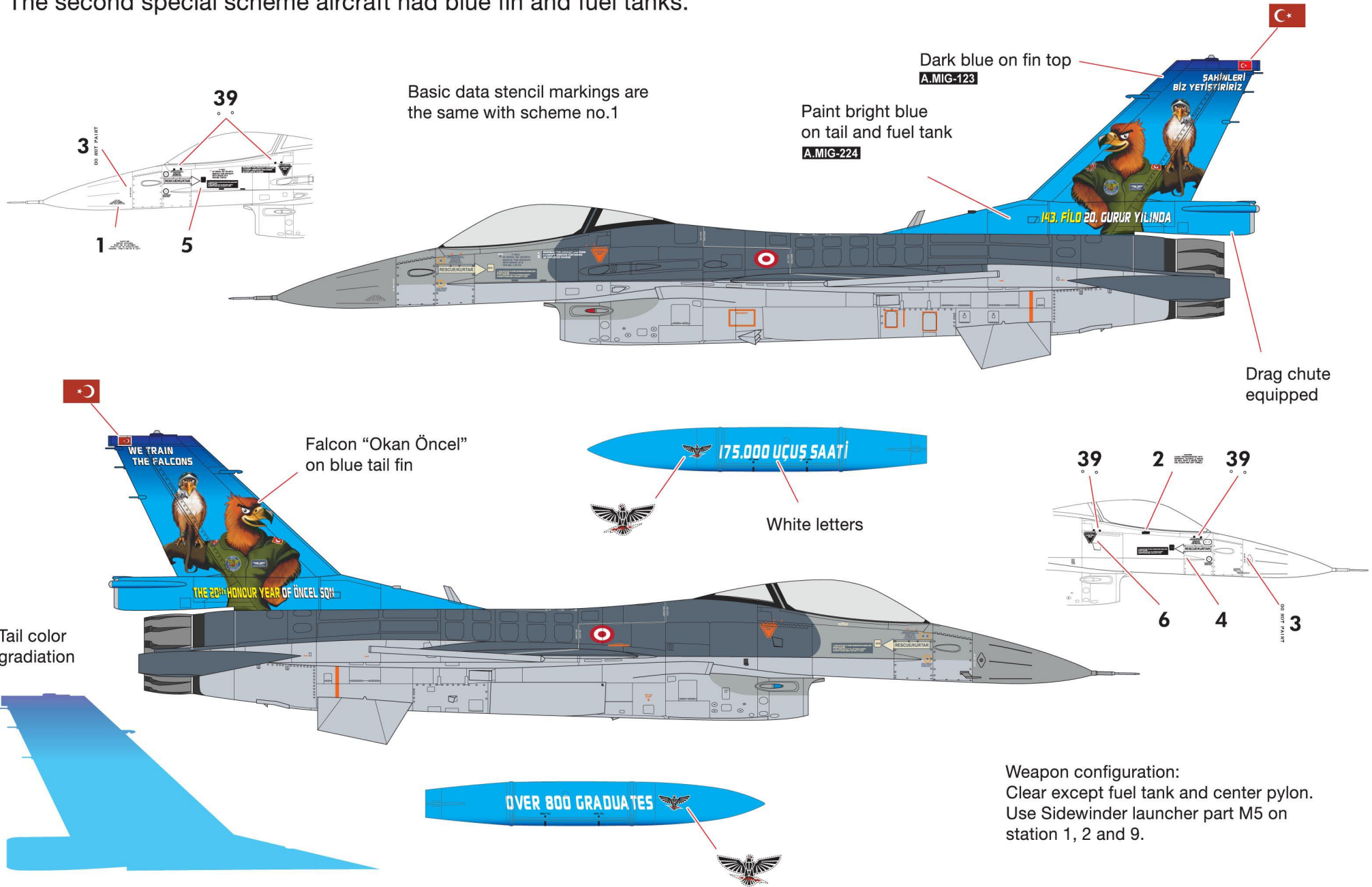
COLOR	AMMO MIG	VALLEJO MODEL COLOR	GSI CREOS MR. COLOR	TAMIYA ENAMEL/ACRYLIC	HUMBROL ENAMEL
SATIN BLACK	A.MIG-032	861	2	-	21
GUN METAL	A.MIG-045	863	76	XF56	53
MATT BLACK	A.MIG-046	950	12	XF1	33
SATIN WHITE	A.MIG-047	842	1	-	22
YELLOW	A.MIG-048	953	4	XF3	15
RED	A.MIG-049	957	-	XF07	153
GREEN KHAKI	A.MIG-056	988	54	-	-
GREY	A.MIG-059	870	13	-	-
BLUE	A.MIG-086	963	-	-	-
CRYSTAL RED	A.MIG-093	934	-	-	220
CRYSTAL LIGHT BLUE	A.MIG-098	938	-	-	-
MARINE BLUE	A.MIG-123	-	-	-	-
JET EXHAUST BURNT IRON	A.MIG-187	721	61	-	-
STEEL	A.MIG-191	863	214	X10	53
SILVER	A.MIG-195	997	8	XF16	11
GOLD	A.MIG-198	996	9	X12	16
LIGHT GREY	A.MIG-203	901	74	-	-
MEDIUM GUNSHIP GRAY	A.MIG-204	868	305	-	-
MEDIUM GRAY	A.MIG-205	991	317	-	-
GHOST GRAY	A.MIG-208	991	317	XF54	27
LIGHT GRAY	A.MIG-209	990	308	-	-
MEDIUM GRAY	A.MIG-211	989	-	XF19	127
SKY BLUE	A.MIG-224	844	34	-	-
OLIVE DRAB	A.MIG-926	889	12	-	-

For Color Profile, please go to www.kineticmodel.com for download
(type the kit# and go for manual/painting guide)

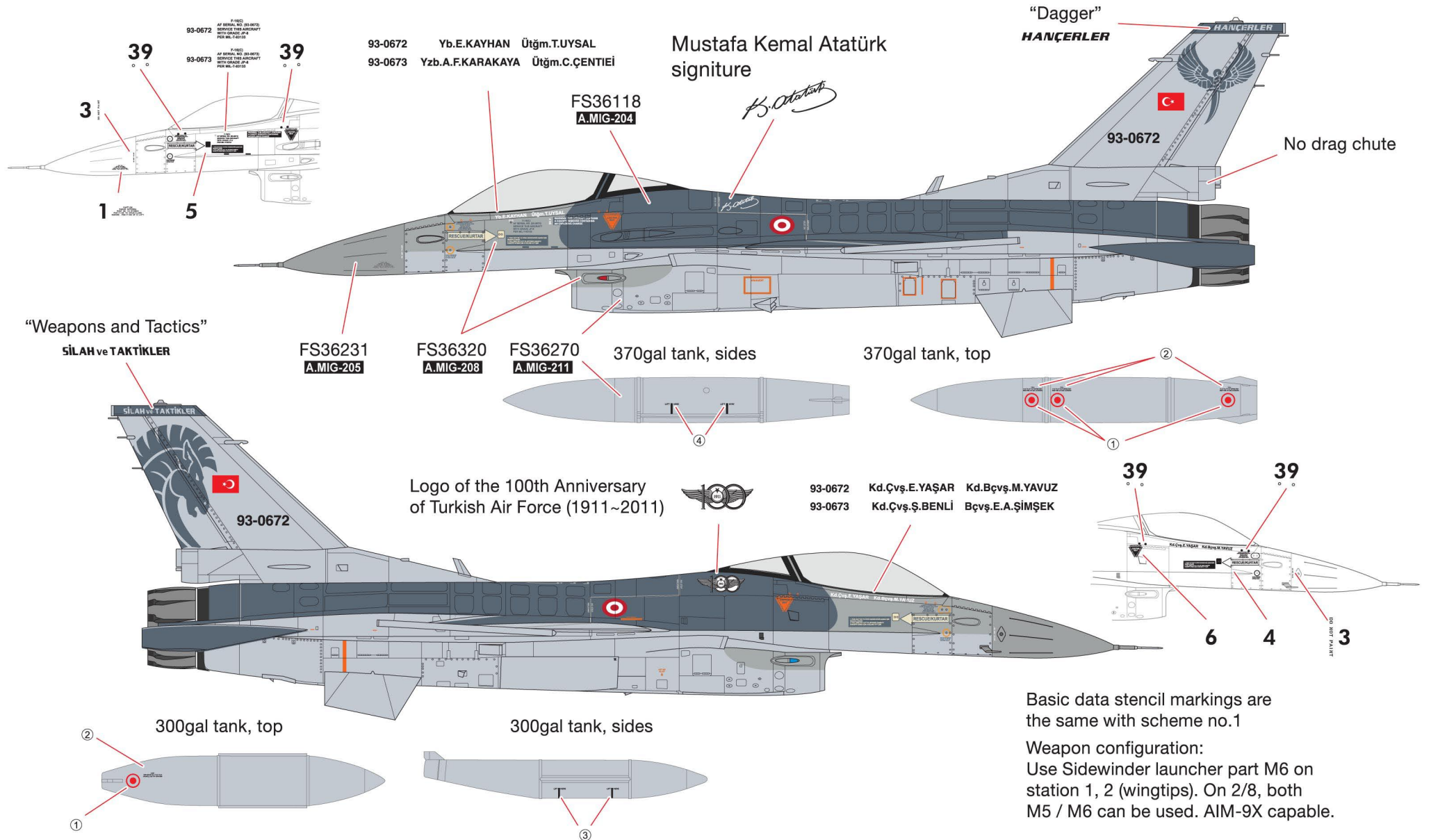
1. F-16C block 40, 143. Filo "Öncel", Türk Hava Kuvvetleri (143rd "Oncel" squadron, Turkish Air Force). 2007 was the 20th anniversary of flying F-16s for the Turkish Air Force and the 143rd was one of the first unit to equip F-16 for its being a training squadron. Two aircraft from the squadron bore the special marking celebrating the anniversary.



2. F-16C block 40, 143. Filo "Öncel", Türk Hava Kuvvetleri (143rd "Öncel" squadron, Turkish Air Force).
 The second special scheme aircraft had blue fin and fuel tanks.



3. F-16C block 50, 132. Filo "Hançerler", Türk Hava Kuvvetleri (132nd "Dagger" squadron, Turkish Air Force).
 93-0672 and 93-0673 attended in the international air force drill "Anatolian Eagle 2015" in Konya, Turkey.



Common to all aircraft

