

NAKAJIMA JINI-S GEKKO



H-105

PRINTED IN ENGLAND FOR REVELL (GB) LTD., CRANBORNE RD., POTTERS BAR, HERTS., ENGLAND.

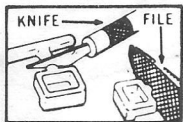
The "Gekko" long range fighter plane was designed and developed as a result of the need for a plane faster and more efficient in aerial combat than the older Zero fighter plane of the Japanese Navy. It was equipped with heavy armament and had a long cruising range. Originally it was not intended as a fighter but was first developed as a land based reconnaissance plane, the three-seat JINI-C Model 11. In May 1943, however, this plane was equipped with 20 mm cannons installed at the rear part of the fuselage, pointing upwards, and it performed extremely well on the Southern Front in repelling a night attack on Bougainville Island, shooting down two B-17's in succession, an inspiring feat. This was the 'birth' of the "Gekko" night fighter, the JINI-S. Subsequently, 4 slanting cannons were installed on the top and bottom of the fuselage, and the crew was reduced to two. This new version saw a great deal of action, combatting U.S. heavy bombers carrying out night raids over Japan. Among its exploits the feat of Lieutenant Yukio Endo who shot down 8 B-29 bombers in a desperate fight became particularly famous.

Nakajima built a total of 477 of this elegant low-wing monoplane in all its versions, including the prototypes. The allied code name for the JINs was "Irving" but was known by the Japanese as "Moonlight" or "the black mystery bird" of the Japanese Navy.

GET YOUR TOOLS READY:

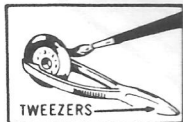
★ ★ ★ BEFORE YOU BEGIN ★ ★ ★

TO TRIM PARTS



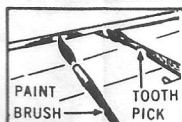
KNIFE

TO HOLD



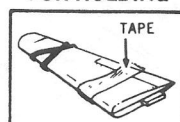
TWEEZERS

TO ASSEMBLE



CEMENT

FOR HOLDING



TILL PARTS DRY

IDENTIFICATION




REMOVE WHEN CALLED FOR

FIRST, FIT PARTS TOGETHER and TRIM EXCESS PLASTIC. Use a toothpick, pin or small paint brush to apply cement. APPLY CEMENT SPARINGLY. Too much cement will damage your model.

If you wish to stop at any point during the construction of your model do so at the end of an Assembly Step.

NOTE: In the illustrations some of the details on the parts have been OMITTED FOR CLARITY.

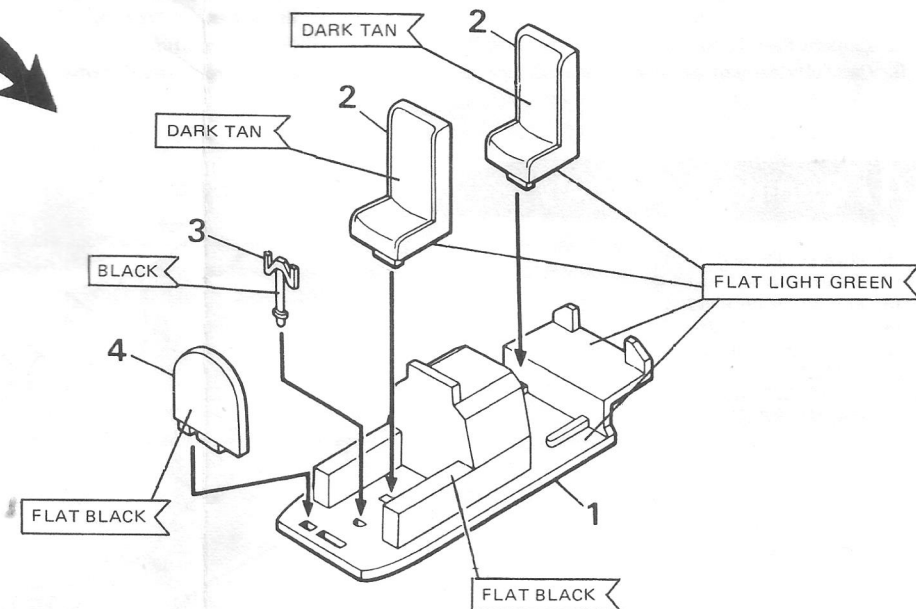
IF YOU WISH TO PAINT YOUR MODEL — See PAINTING FLAGS  for color suggestions.

- Use paints made for plastics only.
- Paint small parts before detaching from runner.
- Start with the lighter colors.
- Scrape off paint where cement is to be applied. Cement will not work on paint.

IMPORTANT: REFER TO PAGE 4 FOR THE OPTIONAL COLOUR SCHEMES AND MARKINGS INCLUDED IN THIS KIT

1/ Cockpit Assembly

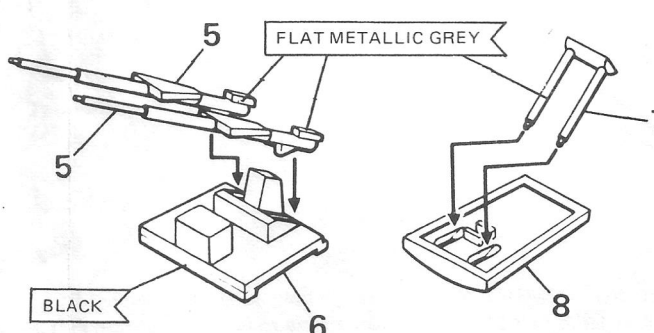
1. COCKPIT FLOOR
2. SEAT (2)
3. CONTROL STICK
4. INSTRUMENT PANEL



1. Cement 2 parts 2, and parts 3 and 4 to part 1.

2/ Cannon Assembly

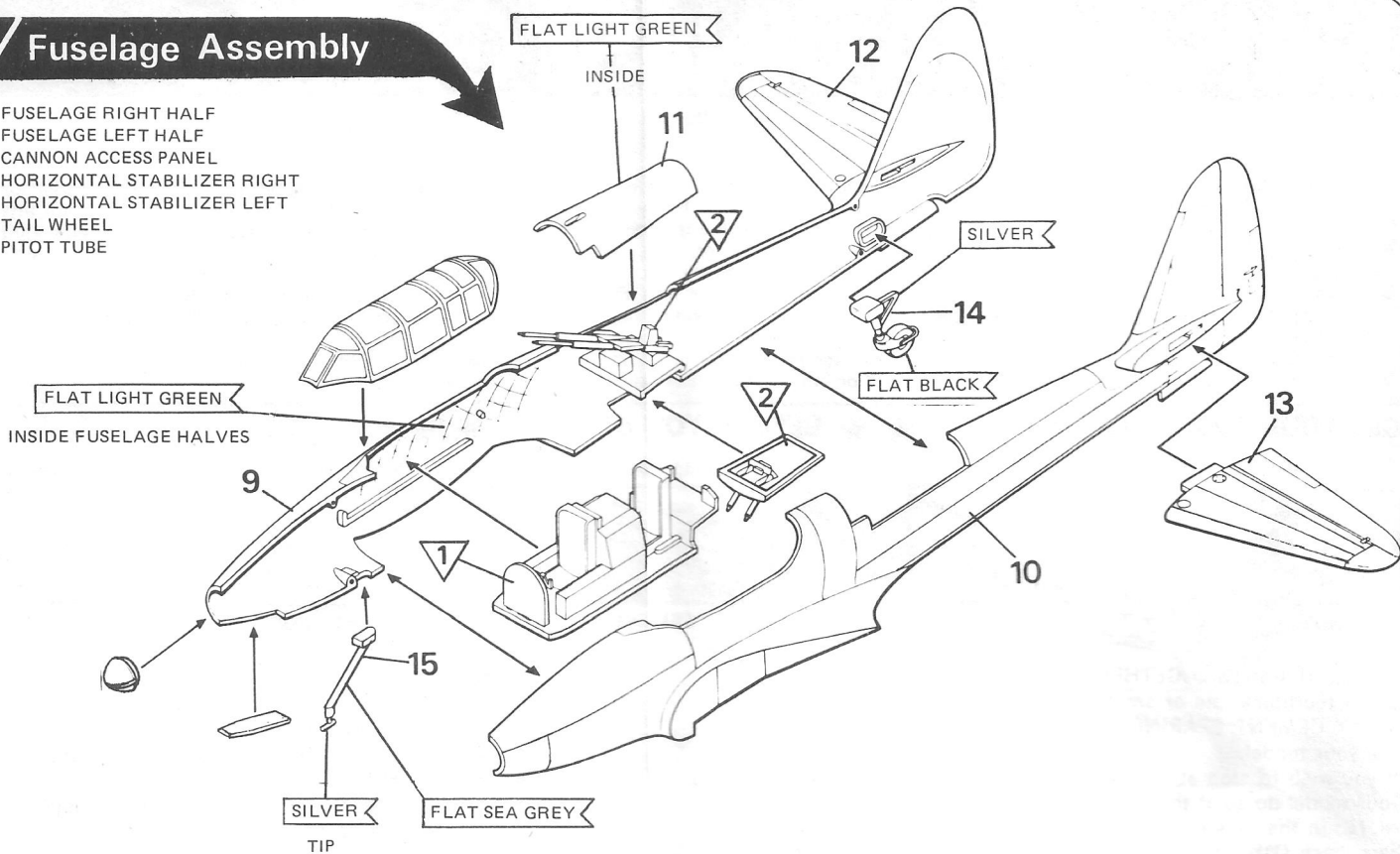
5. CANNON (2)
6. UPPER CANNON MOUNT
7. TWIN CANNONS
8. LOWER CANNON MOUNT



1. Cement 2 parts 5 to part 6, and part 7 to part 8.

3 Fuselage Assembly

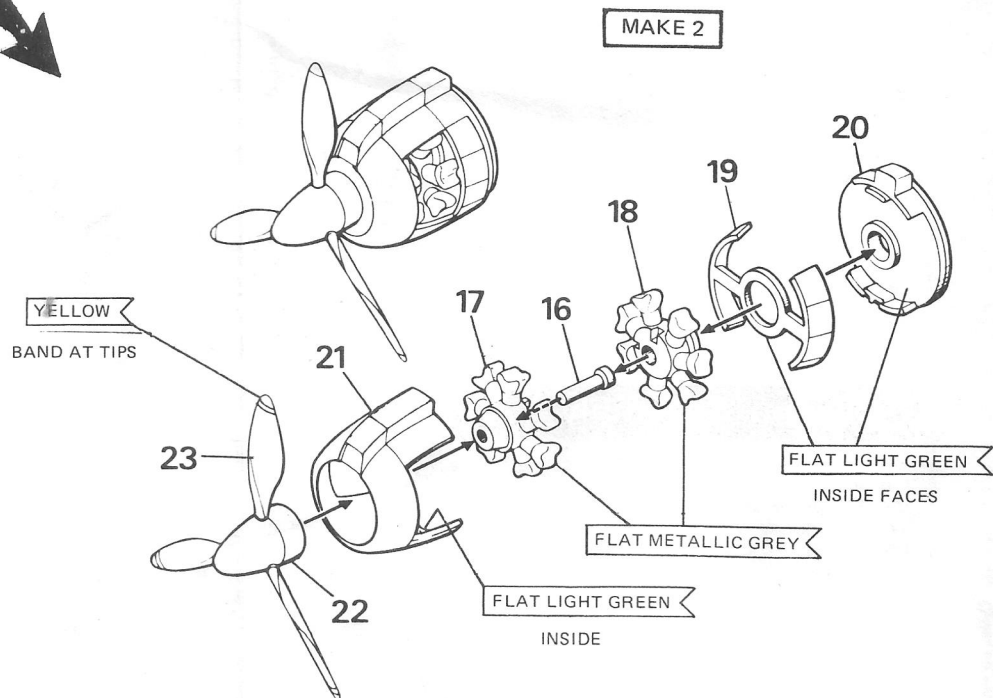
- 9. FUSELAGE RIGHT HALF
- 10. FUSELAGE LEFT HALF
- 11. CANNON ACCESS PANEL
- 12. HORIZONTAL STABILIZER RIGHT
- 13. HORIZONTAL STABILIZER LEFT
- 14. TAIL WHEEL
- 15. PITOT TUBE



1. Carefully locate and cement cockpit assembly from Step 1 into Part 9. Cement Part 14 to Part 9
2. From Step 2, locate and cement upper cannon assemblies to Part 9.
3. Cement Parts 9 and 10 together, make sure you position cockpit assembly, cannon assemblies, and tailwheel correctly in Part 10.
4. Place, DO NOT CEMENT, Part 11 in position over cannons, as part is removeable.
5. Cement Part 12 to Part 9, and Part 13 to Part 10. Cement Part 15 in position.
6. Carefully cement canopy, clear nose and nose window to fuselage. From Step 2 cement lower cannon assembly into position.

4 Engine Assembly

- 16. PROPELLER SHAFT (2)
- 17. ENGINE FRONT HALF (2)
- 18. ENGINE REAR HALF (2)
- 19. COWLING RING (2)
- 20. COWLING REAR (2)
- 21. COWLING FRONT (2)
- 22. PROPELLER HUB (2)
- 23. PROPELLER (2)

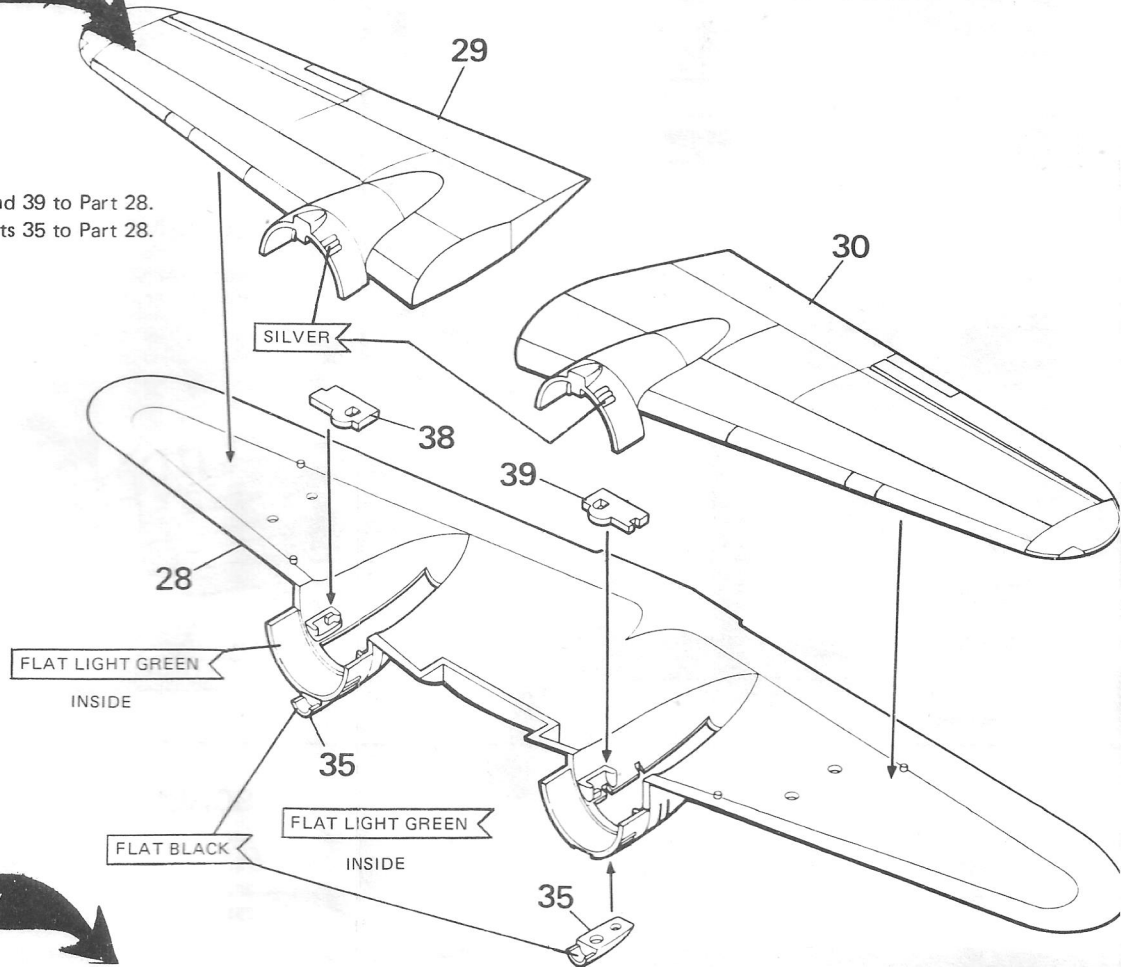


1. Insert, DO NOT CEMENT, Part 16 through hole in Part 17. Cement Part 17 to Part 18.
2. Cement Part 19 to Part 20, then cement engine to Part 20. Position Part 21 over engine assembly and cement to Part 20.
3. Cement Part 23 to Part 22 then carefully cement Part 22 to Part 16.

5/ Wing Assembly

- 28. LOWER WING
- 29. UPPER WING RIGHT
- 30. UPPER WING LEFT
- 35. AIR INTAKE (2)
- 38. MAIN GEAR LOCATOR RIGHT
- 39. MAIN GEAR LOCATOR LEFT

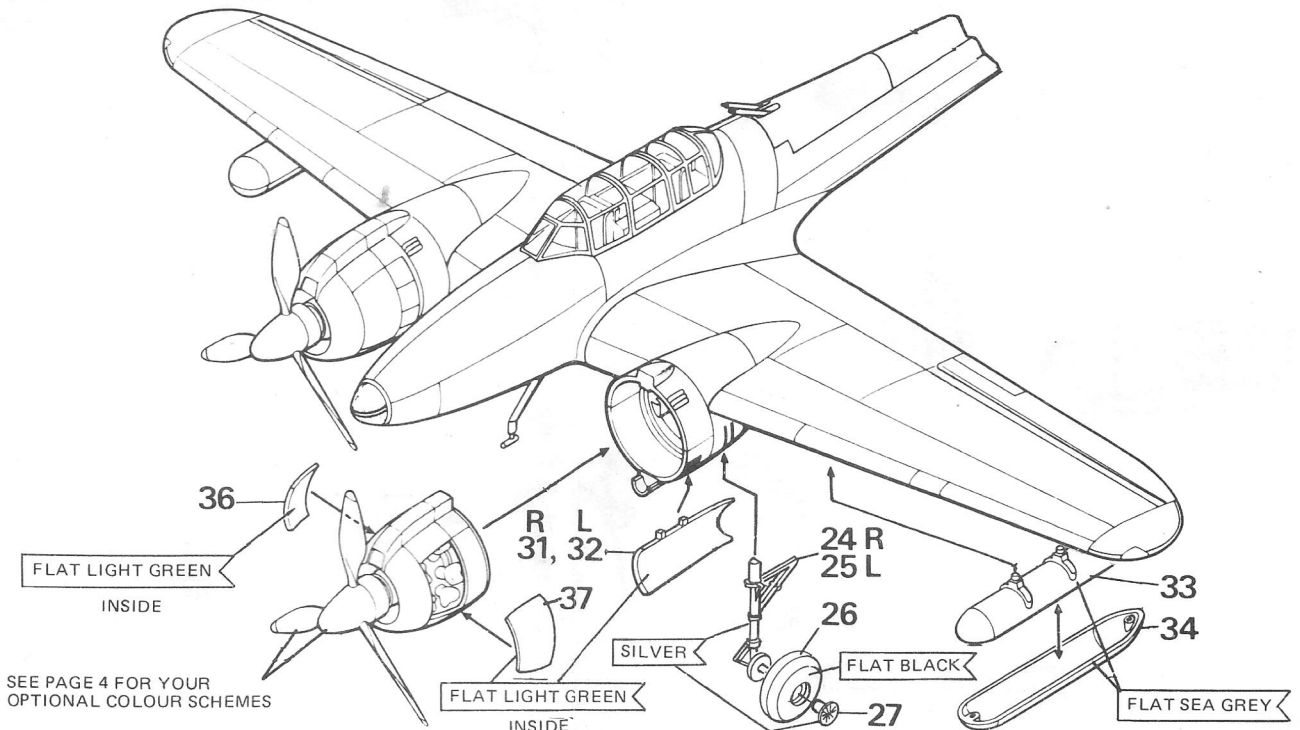
1. Locate and cement Parts 38 and 39 to Part 28.
2. Cement Parts 29, 30 and 2 Parts 35 to Part 28.



6/ Final Assembly







- 24. MAIN GEAR RIGHT
- 25. MAIN GEAR LEFT
- 26. MAIN WHEEL (2)
- 27. HUB (2)
- 31. GEAR DOOR RIGHT
- 32. GEAR DOOR LEFT
- 33. WING TANK UPPER HALF (2)
- 34. WING TANK LOWER HALF (2)
- 36. ENGINE PANEL RIGHT (2)
- 37. ENGINE PANEL LEFT (2)

1. Insert, DO NOT CEMENT, Part 27 through hole in Part 26, then carefully cement Part 27 to Part 25. Repeat assembly for right gear using Part 24.
2. Cement wing assembly from Step 5 to fuselage assembly from Step 3, then cement engine assemblies from Step 4 to wing.
3. Cement Part 33 to Part 34. Make 2 assemblies, then cement in position to lower wing. Cement main gear assemblies to lower wing.
4. Cement Parts 31 and 32 to lower wing. Cement Parts 36 and 37 to each engine cowling.



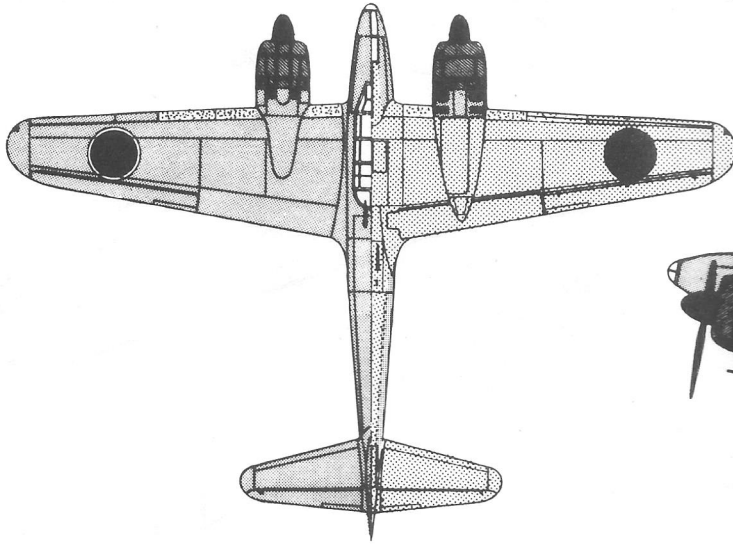
SEE PAGE 4 FOR YOUR
OPTIONAL COLOUR SCHEMES

PAINTING INSTRUCTIONS

	FLAT BLACK		FLAT SEA GREY
	FLAT DARK GREEN		ORANGE YELLOW
	FLAT LIGHT GREEN		BRICK RED

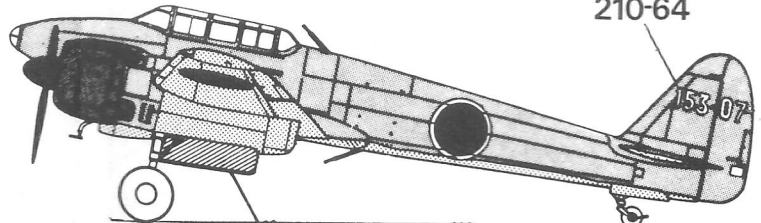
DECAL APPLICATION

1. Cut each design from sheet as needed.
2. Dip in warm water.
3. Slide decal from paper face up.
4. Use a small brush to wet your model and slide decal into position.
5. Do not touch decal with fingers.
6. Press down with blotter.



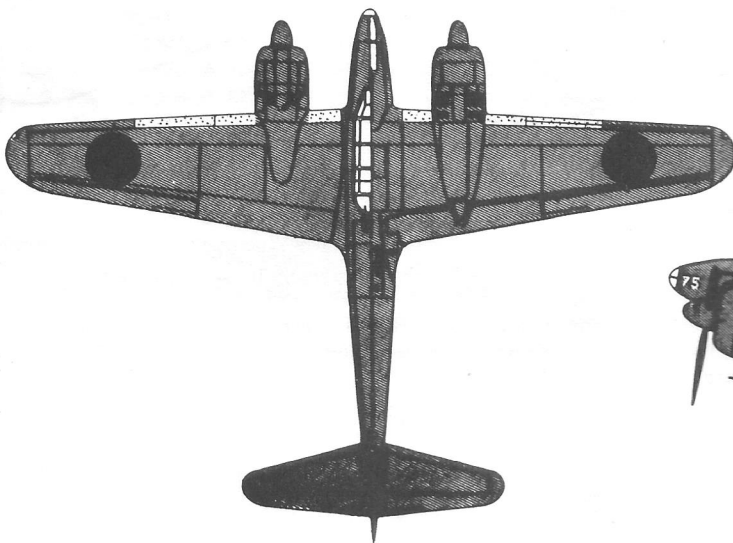
SCHEME 'A'

153-07 (DECAL No. 7). AIRCRAFT OF THE 153rd NAVAL AIR CORPS.
210-64 (DECAL No. 4). AIRCRAFT OF THE 210th NAVAL AIR CORPS.



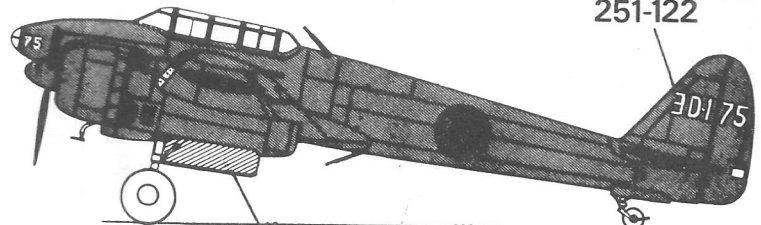
153-07
210-64

FLAT LIGHT GREEN < INSIDE UNDERCARRIAGE BAY



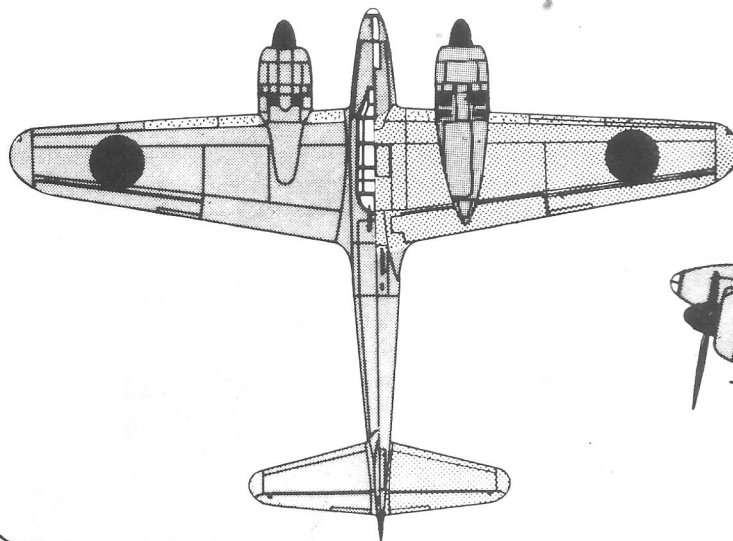
SCHEME 'B'

3D-175 (DECAL No. 5). AIRCRAFT OF THE 302nd NAVAL AIR CORPS.
141-122 (DECAL No. 1). AIRCRAFT OF THE 141st NAVAL AIR CORPS.
322-05 (DECAL No. 6). AIRCRAFT OF THE 322nd NAVAL AIR CORPS.
251-122 (DECAL No. 8). AIRCRAFT OF THE 251st NAVAL AIR CORPS.



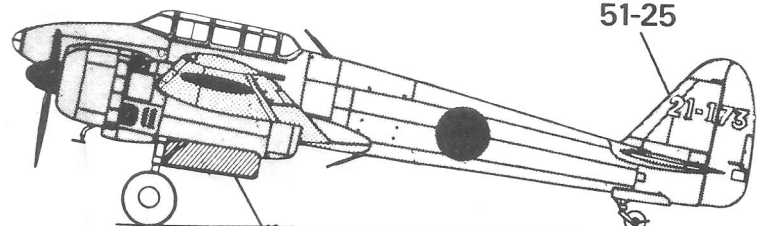
3D-175
141-122
322-05
251-122

FLAT LIGHT GREEN < INSIDE UNDERCARRIAGE BAY



SCHEME 'C'

21-173 (DECAL No. 3). AIRCRAFT OF THE 321st NAVAL AIR CORPS.
51-25 (DECAL No. 2). AIRCRAFT OF THE 351st NAVAL AIR CORPS.



21-173
51-25

FLAT LIGHT GREEN < INSIDE UNDERCARRIAGE BAY