

**LIFE-LIKE HOBBY KITS**  
**MILITARY SERIES** ★  
 1/40 SCALE

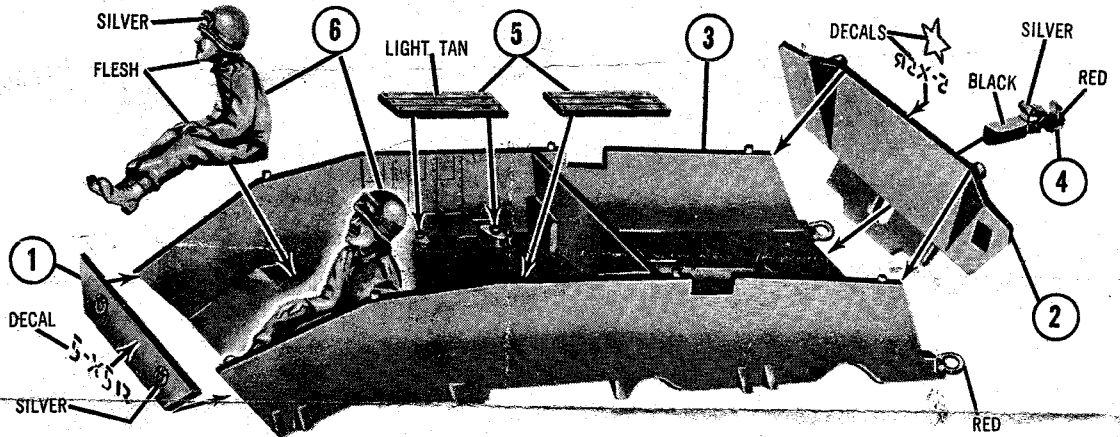
**Armored Car**  
 COMPLETE WITH 6 G.I.'s



**1**

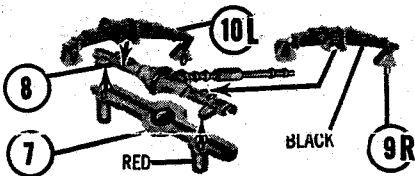
SEPARATE ALL THE PROPER NUMBERED PARTS FOR EACH STEP BEFORE ASSEMBLY

A—Cement the Front Chassis Panel (Part 1) and the Rear Chassis Panel (Part 2) to the Main Chassis Frame (Part 3). B—Cement Rear Tow Hook (Part 4) to Rear Chassis Panel as shown. C—Cement the Seats (Part 5) and the Drivers (Part 6) on the guide inside the Chassis as shown. After each step apply decals where needed.



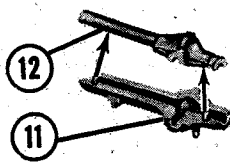
**2**

A—Lay out (Parts 7 and 8) Front Axle, and cement together as shown. B—On the Right and Left Side cement Main Springs. (Parts 9R and 10L) as shown. Easy so far, lets continue.



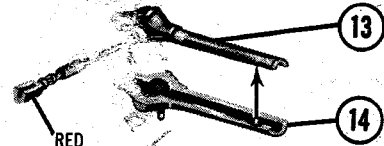
**3**

A—Locate (Parts 11 and 12) The Center Axle Halves and cement together as shown.



**4**

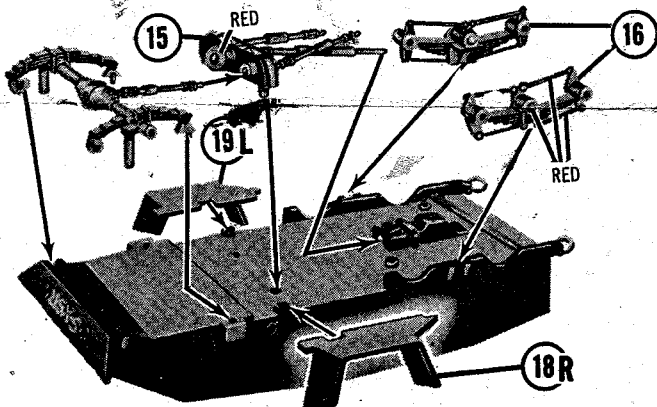
—Locate (Parts 13 and 14) The Rear Axle Halves and cement together as shown.



**5**

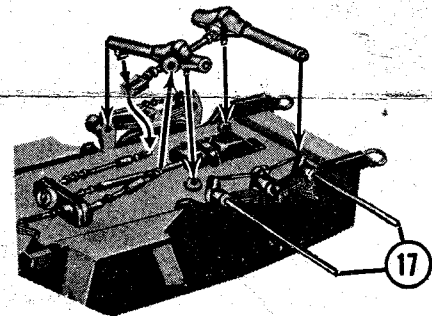
SEPARATE ALL THE PROPER NUMBERED PARTS FOR EACH STEP —

A—Set the Main Chassis Frame which you have just assembled upside down. B—Line up the Main Drive Shaft Assembly (Part 15) with the holes on the bottom and cement into position as shown. Be sure that the Center Shaft has been fitted into slot on the bottom. C—Cement Shaft from Center Axle into Main Drive Assembly and cement Front Springs into position. D—Cement the Rear Chassis Springs (Part 16) into position as shown. E—Cement the Right and Left Wheel Wells (Parts 18R and 19L) to respective sides as shown.



INSPECTED 6 8251

A—Locate Drive Shaft on Rear Axle with Main Drive Shaft Assembly and Cement Rear Axle into position. B—Locate slot on Center Axle with Main Drive Shaft Assembly and cement Center Axle into position. C—Slide a Metal Axle thru each Axle Housing. Now double check to make sure all parts are cemented in their proper position.



Look for Life Like Hobby kits at your local hobby dealer.

To order by mail, use the convenient form on the right. To cover postage and handling: add 50c for orders under \$5.00; For orders above \$5.00 add 10%.

SORRY NO ORDERS OUTSIDE U.S.A.

Mail to: LIFE LIKE PRODUCTS, INC.  
 DEPARTMENT C.I.S.  
 1600 UNION AVENUE  
 BALTIMORE, MARYLAND 21211

Please send me the following hobby kits \_\_\_\_\_

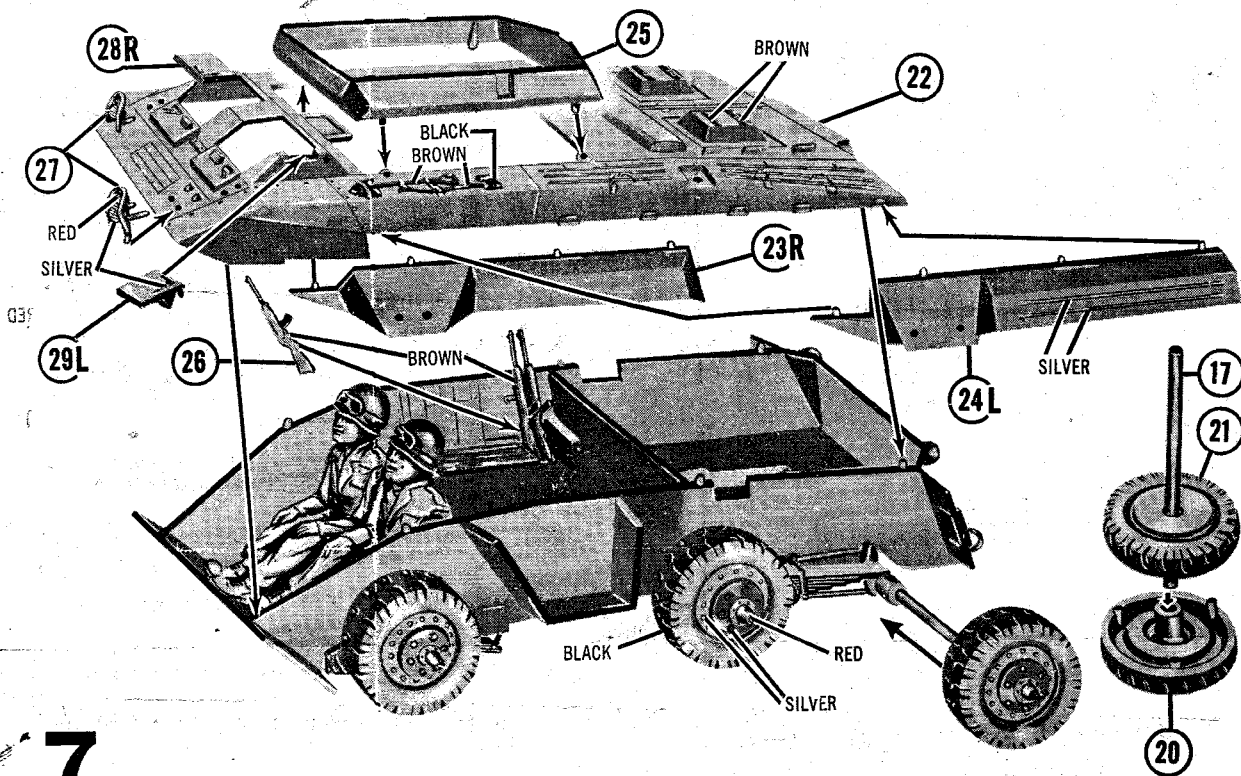
I enclose \_\_\_\_\_ plus \_\_\_\_\_ for postage and handling.

Name \_\_\_\_\_

Address \_\_\_\_\_

City \_\_\_\_\_ State \_\_\_\_\_ Zip \_\_\_\_\_

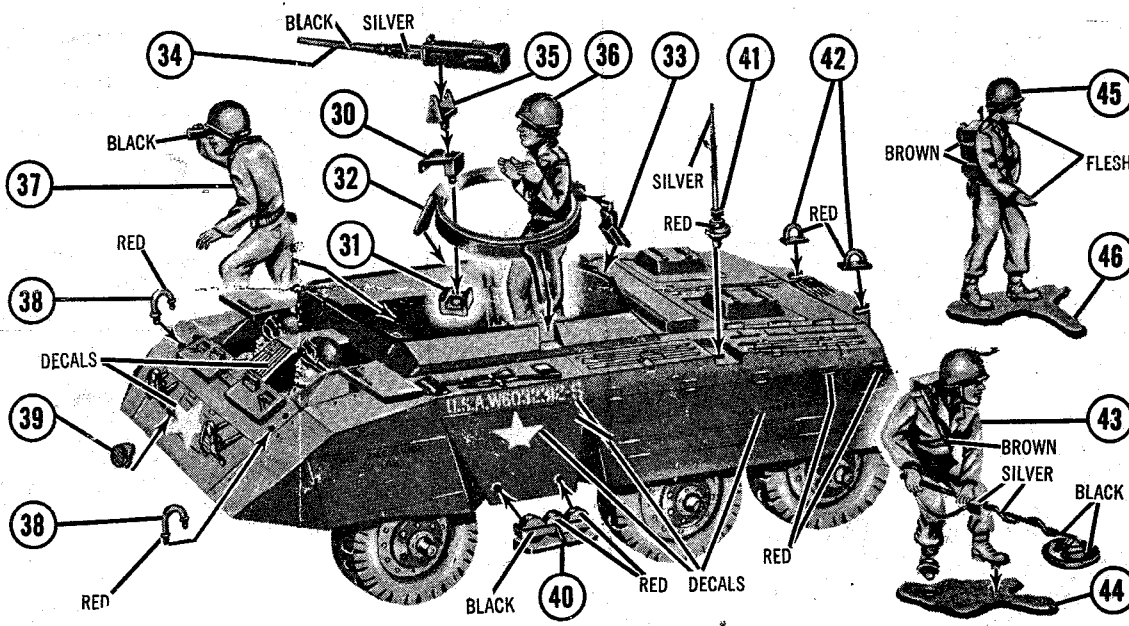
LIFE-LIKE PRODUCTS, INC., BALTIMORE, MARYLAND 21211 Printed in U.S.A.



7

A—Cement inside Wheel Half (Part 20) to outside Wheel Half (Part 21).  
 B—Secure all Wheels to Metal Axles. C—Cement the Top (Part 22) to Main Chassis Frame as shown. D—Cement the Right and Left Side Covers (Parts 23R and 24L) to proper side as shown. E—Cement the Square Cockpit

from (Part 25) to Top. F—Cement Three Rifles (Parts 26) to Main Chassis Floor. G—Cement the Headlights (Parts 27) to Front of Top Cover as shown. H—Cement Right and Left Hatch Covers (Parts 28R and 29L) to proper sides next to Drivers as shown.



8

A—Cement Upper Machine Gun Traverse (Part 30) and the Lower Traverse (Part 31) around Machine Gun Ring (Part 32). B—Cement Gun Ring Leg (Part 33) into Rear of Square Cockpit as shown. C—Cement Front Legs of Gun Ring to Side of Square Cockpit and to Rear Leg as shown. D—Cement Machine Gun (Part 34) into Yoke (Part 35) and cement into Upper Traverse. E—Cement Machine Gunner's Hands (Parts 36) to Machine Gun. F—Cement Car Commander (Part 37) in Front of Machine Gun Ring. G—Cement 2 "J"

Hooks (Part 38) on Front of the Chassis as shown. H—Cement Siren (Part 39) next to Right Front Headlight. I—Cement to Mine Racks (Parts 40) to Sides of Chassis as shown. J—Cement 2 Aerials (Parts 41) to Top of Car. K—Cement 2 Left Rings (Part 42) to Rear Top of Car. L—Cement Mine Detectors (Parts 43) to Base (Parts 44) and Rifle Man (Part 45) to His Base (Part 46).