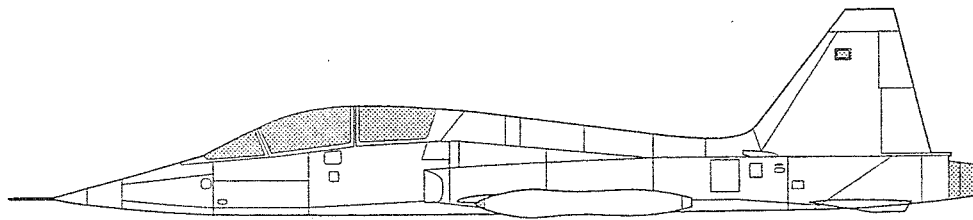




Classic Airframes



F-5B

The F-5 was developed largely as a result of the success achieved by the T-38 Talon trainer. Developed at a time when conventional fighters were growing in size and complexity, the diminutive F-5 was designed to provide for the license production by many of its clients under the Military Assistance Program. This in turn was in no small measure the reason for the successful export market for this aircraft.

It was used by the United States Air Force and no less than twenty-one different countries. It saw active combat service in Vietnam; F-5s flying more than 3,500 sorties during their evaluation in that theater.

Reverting back to its T-38 roots, the F-5B was a two-seat trainer version of the single-seat F-5A. Although lacking the nose guns of the F-5A, the F-5B retained all other weapon capability.

Classic Airframes would like to thank the following individuals for their research and assistance to make this project a reality: Fotios Rouch, Jim Maas, Phil Hale, Kursad Albayraktaroglu, and Terry Higgins.

F-5B Specifications

Powerplant:	2x 4,080 Lb. GE J85-GE 13 turbojets	Armament:	2x Sidewinder AAMs Variety of underwing bomb/missile stores
Wing Span:	25'3"		
Length:	47'2"		
Maximum Speed:	924 mph @ 36,000'		

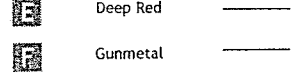
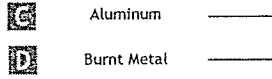
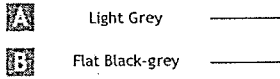
This model kit is intended for *experienced* modelers. The nature of low-pressure molded kits such as this require additional time and effort to clean up and fit the parts, as well as experience with the various media utilized to provide the most accurate effect on the finished model. Use CyA ('super') glue to assemble Resin parts.

Classic Airframes
P.O. Box 577580 Chicago, IL 60657-7580 USA

Assembly Instruction Symbols

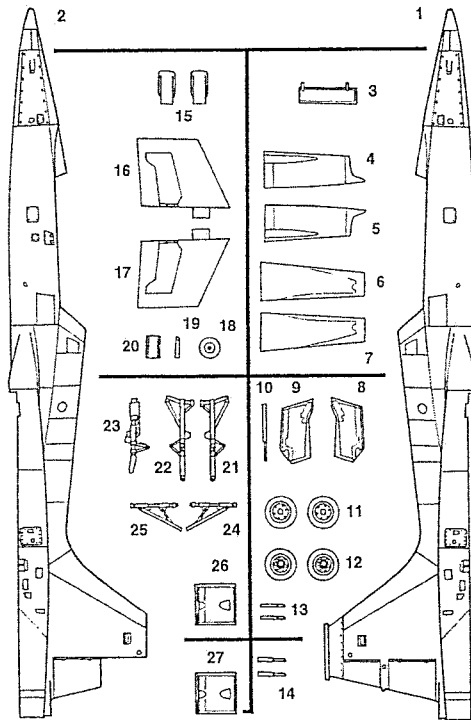
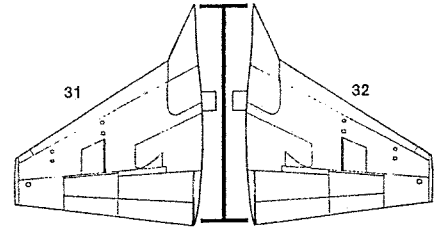
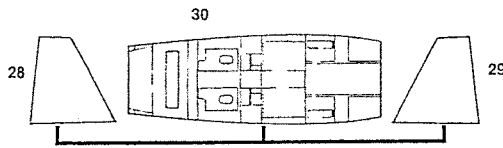


Paint Reference Guide

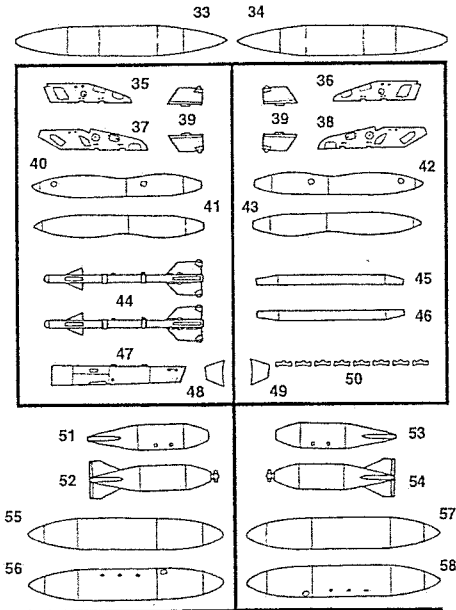


Parts

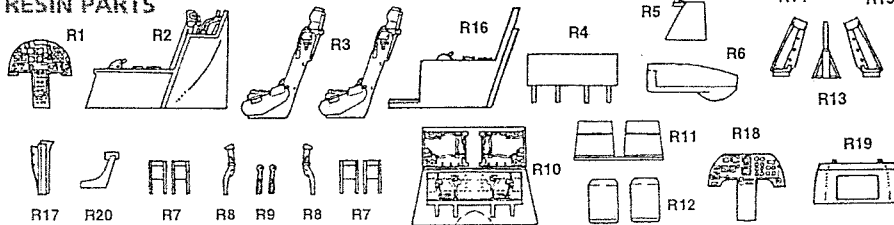
PLASTIC PARTS



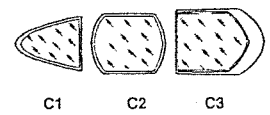
Due to the wide variety of stores and configurations of the F-5, please note that not all parts shown are included in all releases. Consult your references and refer to Steps 10, 11, 12 and 13 before starting construction.

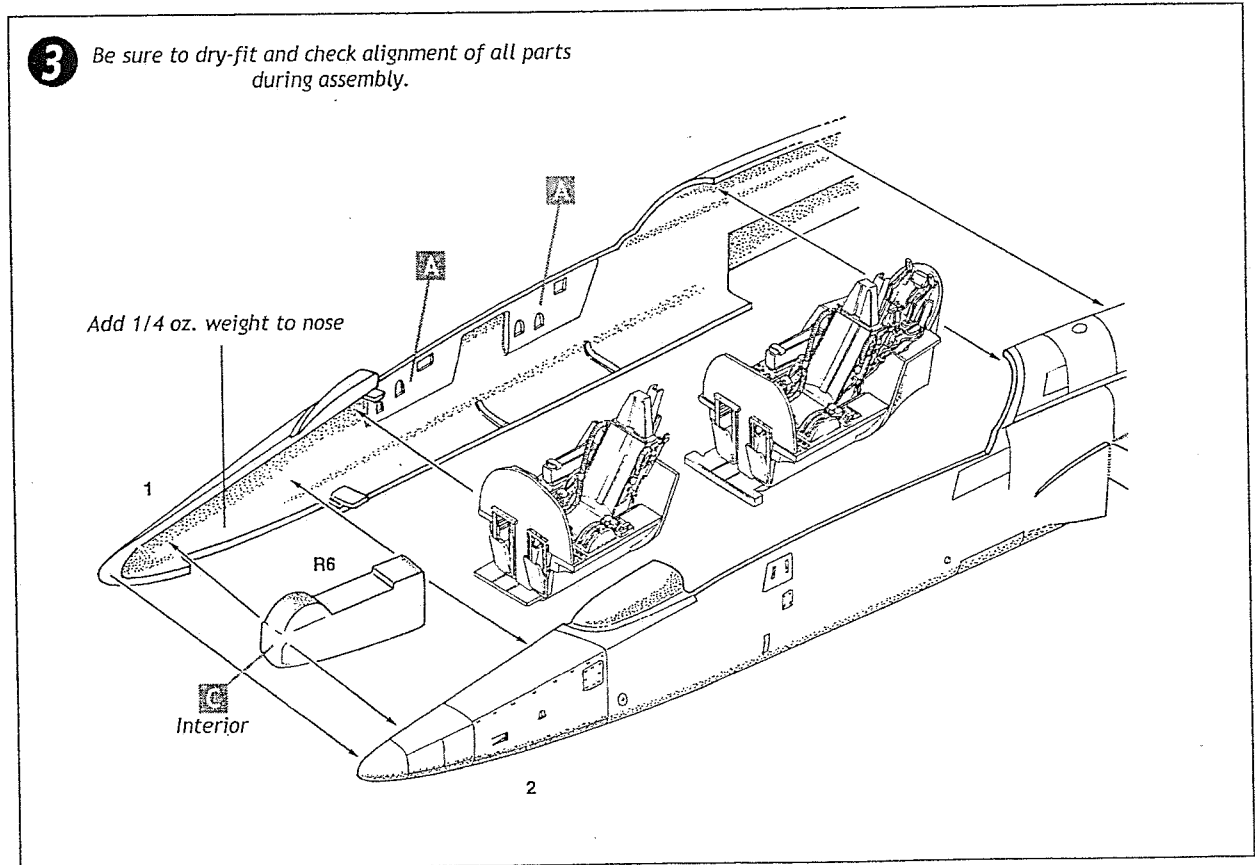
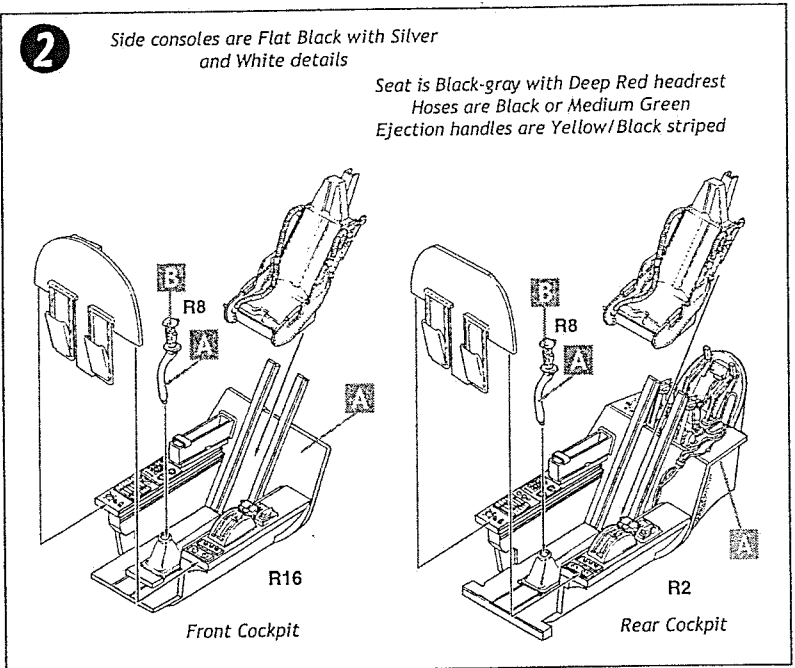
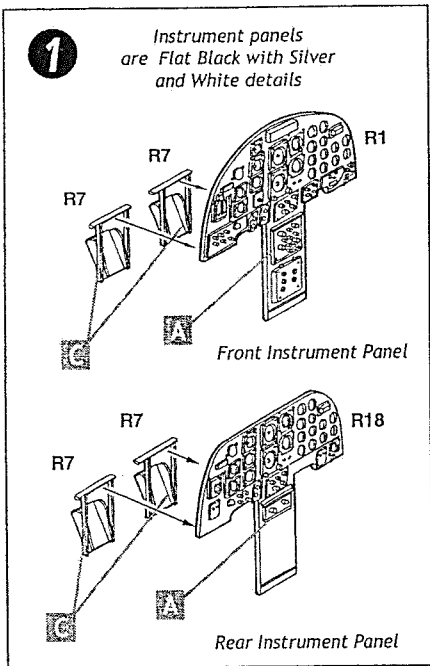


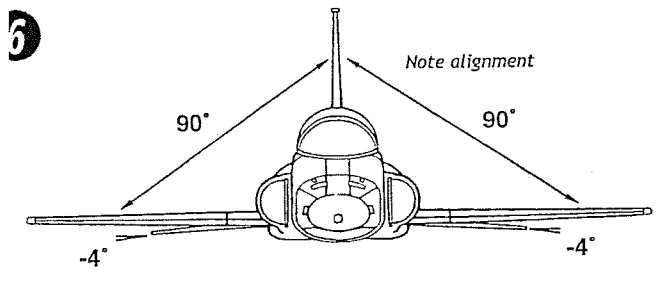
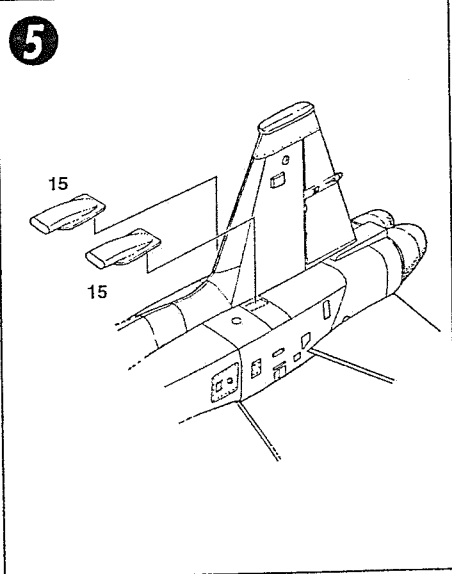
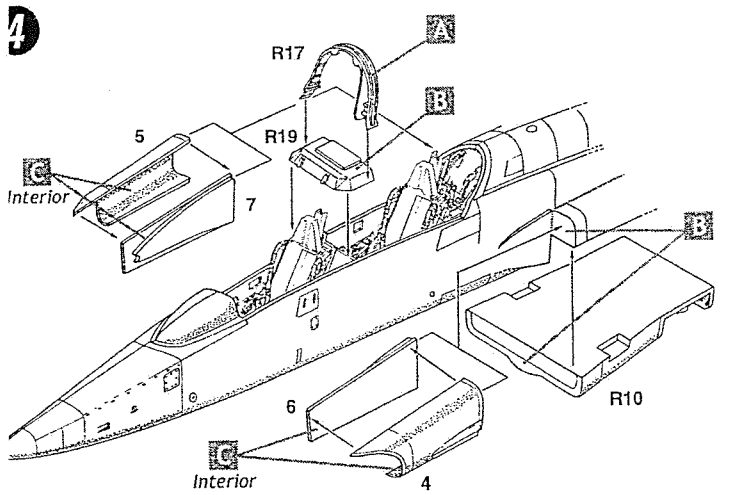
RESIN PARTS



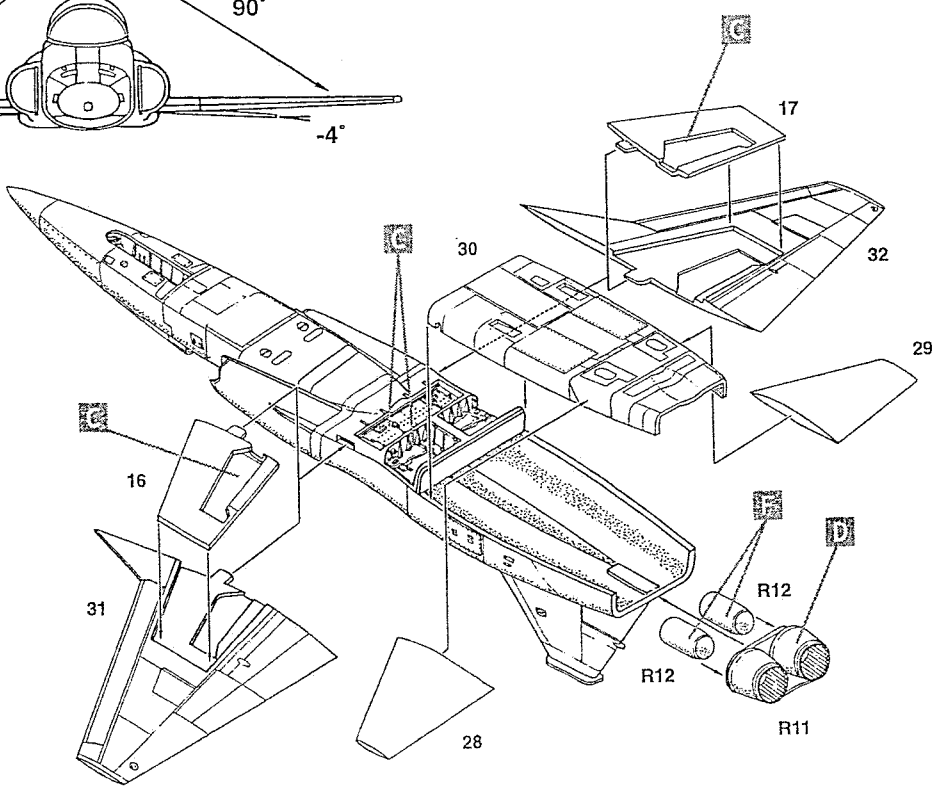
CLEAR PARTS

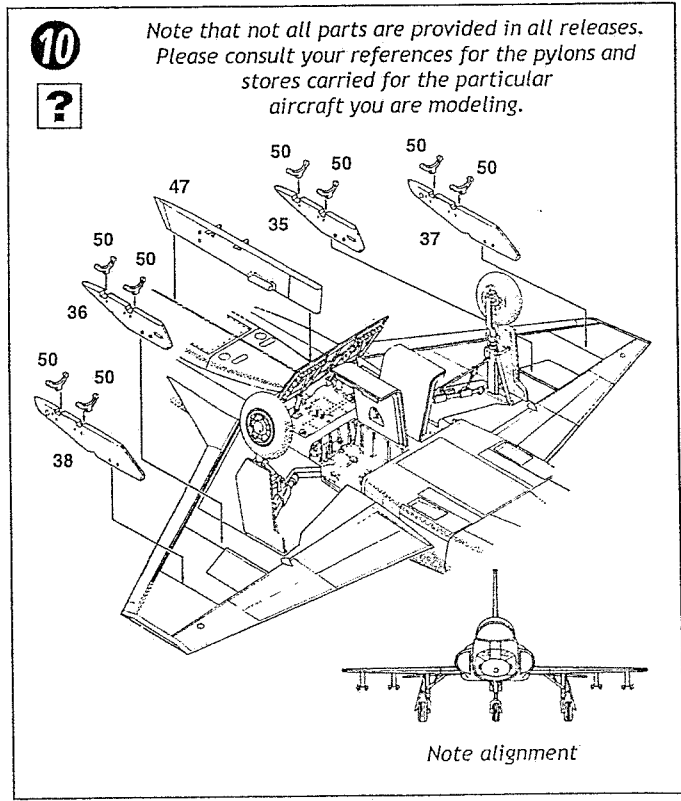
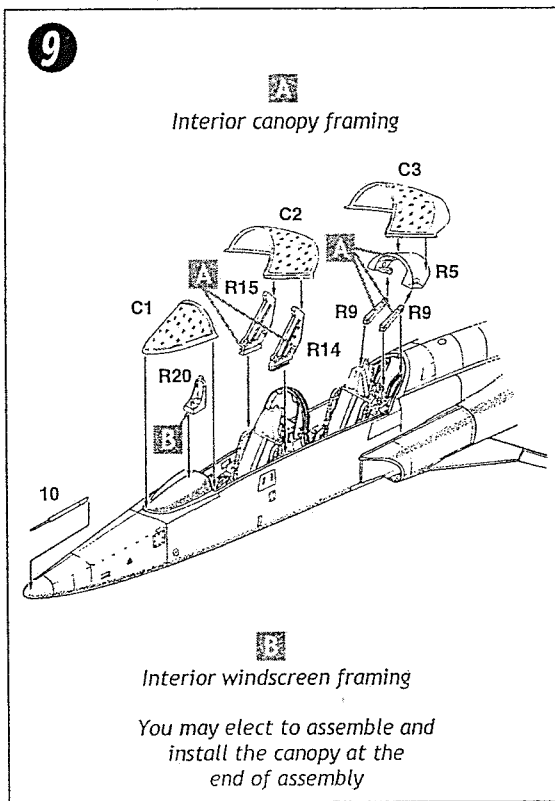
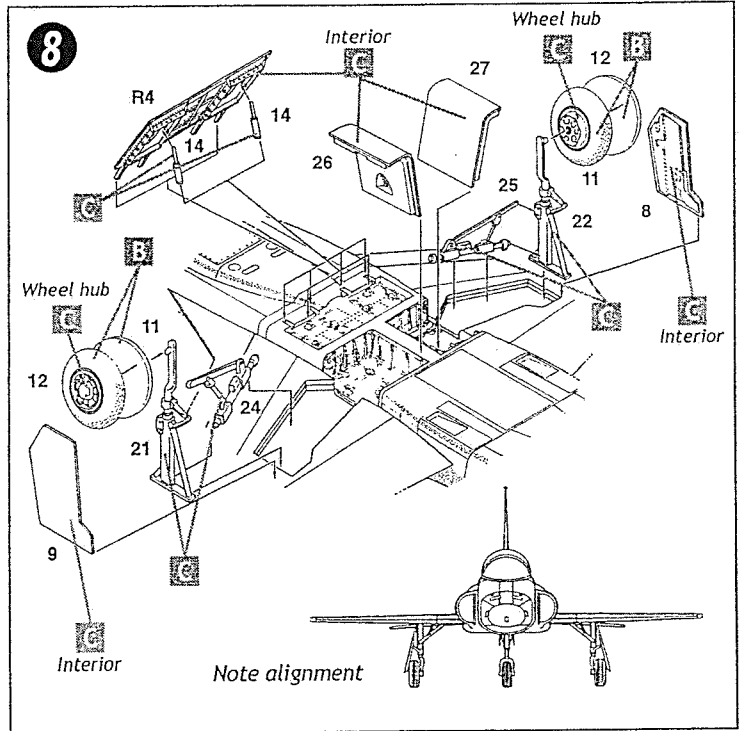
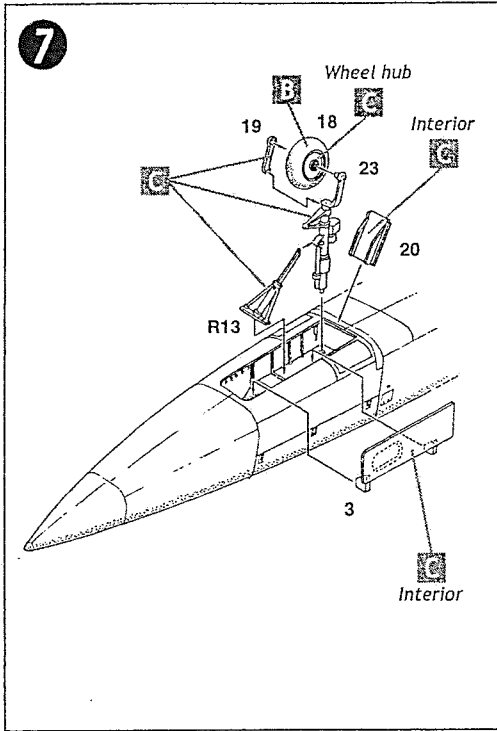






Note stabilizers have
-4° anhedral





11 Wingtip tanks (See Step 12 for optional Sidewinder rails)

?

42 43

41 40

Note alignment

12 Sidewinder missiles

?

46 44 45 39 39

Note alignment

NOTE

Because the F-5 series flew in so many configurations, the different releases of this kit will feature different provisions of underwing stores and weapons.

It is advised to check your references for the particular aircraft you are modeling in order to replicate an accurate configuration.

13

?

Underwing stores

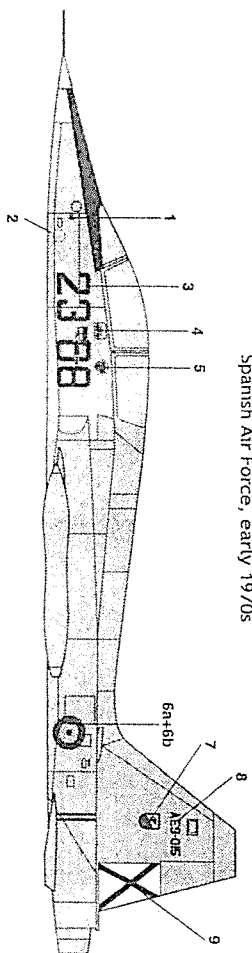
33 56 51 52 34 55 49 58 48 57 54 53






51/52/53/54 • GP Bomb
55/56/57/58 • Napalm Tank
33/34+48/49 • Drop Tank

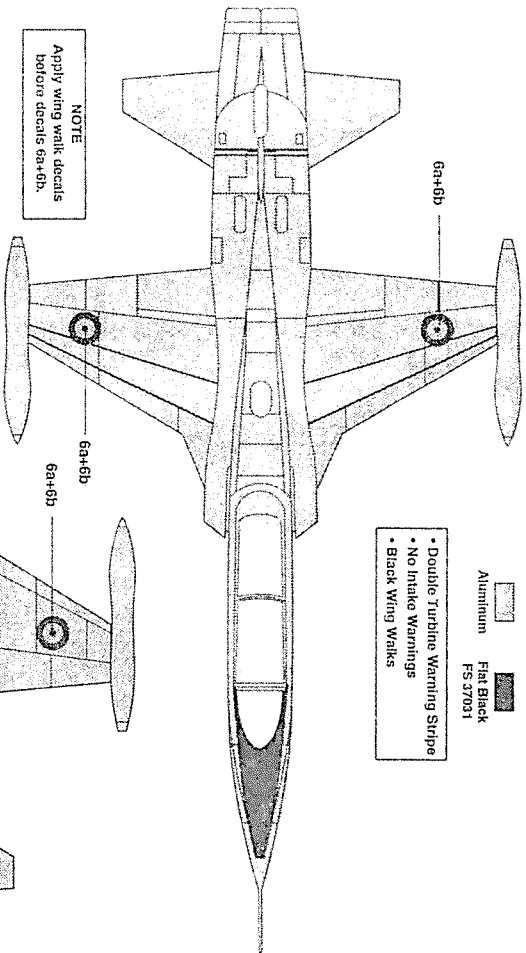
Note alignment

F-5B Freedom Fighter PAINTING & MARKING GUIDE

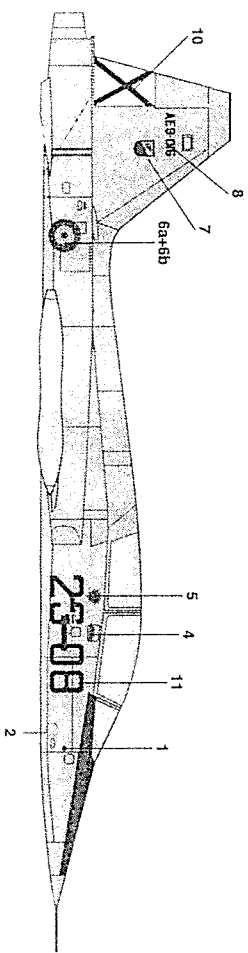
Spanish Air Force, early 1970s



-  Aluminum
-  Flat Black
FS 37031
-  Double Turbine Warning Stripe
-  No Intake Warnings
-  Black Wing Walks

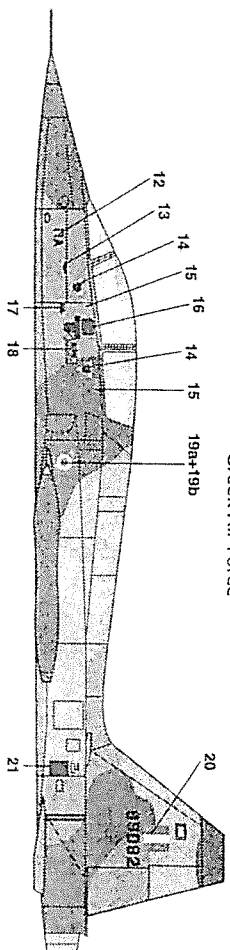








NOTE
Apply wing walk decals
before decals 6a+6b.

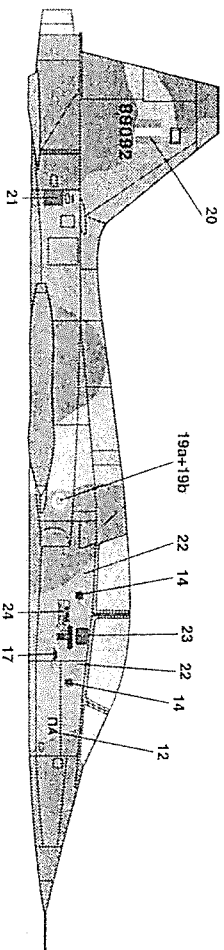
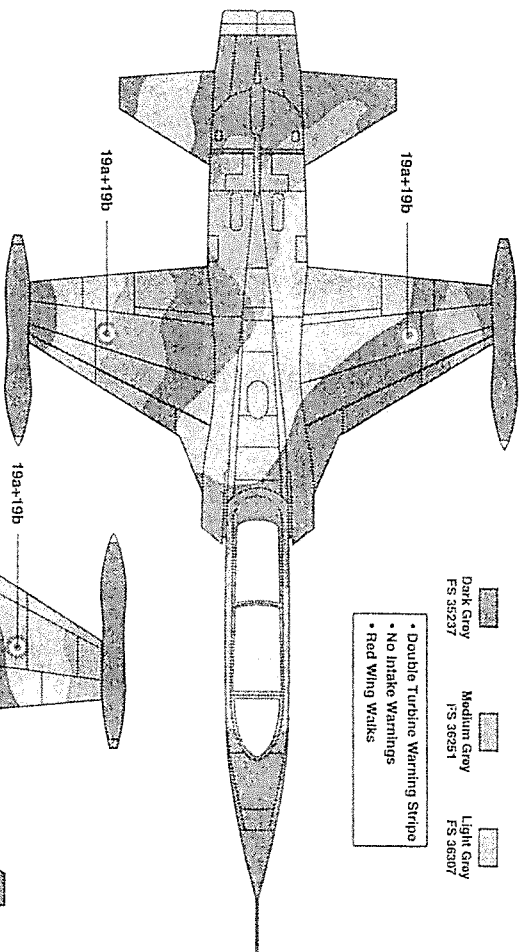


F-5B Freedom Fighter PAINTING & MARKING GUIDE

Greek Air Force



-  Dark Grey
FS 35237
-  Medium Grey
FS 36251
-  Light Grey
FS 36307
-  Double Turbine Warning Stripe
-  No Intake Warnings
-  Red Wing Walks

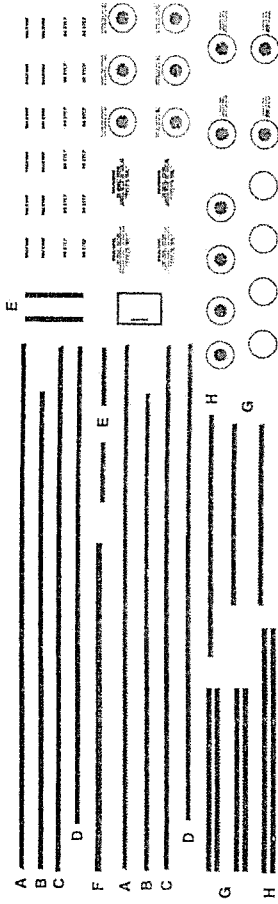


F-5B Freedom Fighter

Turkish Air Force, mid-1970s

F-5B Freedom Fighter

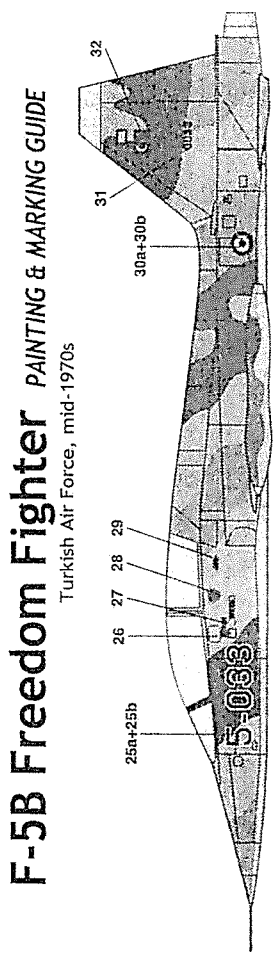
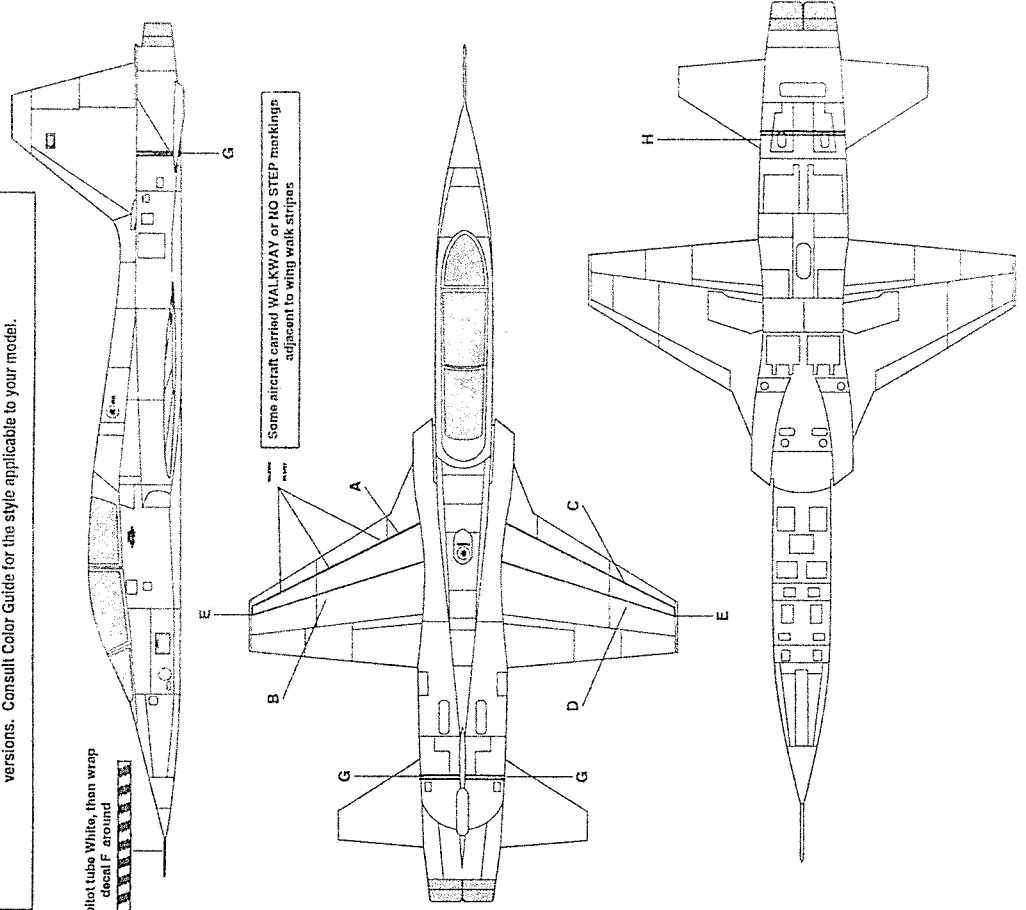
COMMON STENCILS



Wing walk decals A B C D E are provided in Black and Red. Consult Color Guide for the appropriate color to apply to your model. Turbine warning stripes G H are provided in single and double versions. Consult Color Guide for the style applicable to your model.

Paint pilot tube White, then wrap decal F around

Some aircraft carried WALKWAY or NO STEP markings adjacent to wing walk stripes



- Dark Green FS 34079
- Medium Green FS 34102
- Tan FS 30219
- Light Gray FS 36622
- Light Blue (Fin Tip)

- Single Turbine Warning Stripe
- No Intake Warning
- Black Wing Walks

