



1/72 SCALE MODEL CONSTRUCTION KIT

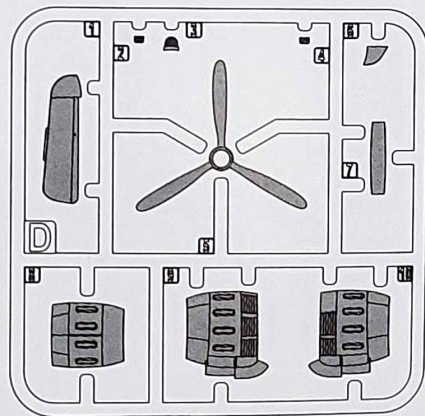
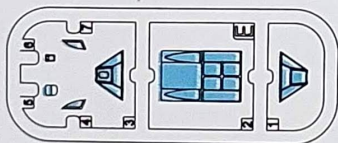
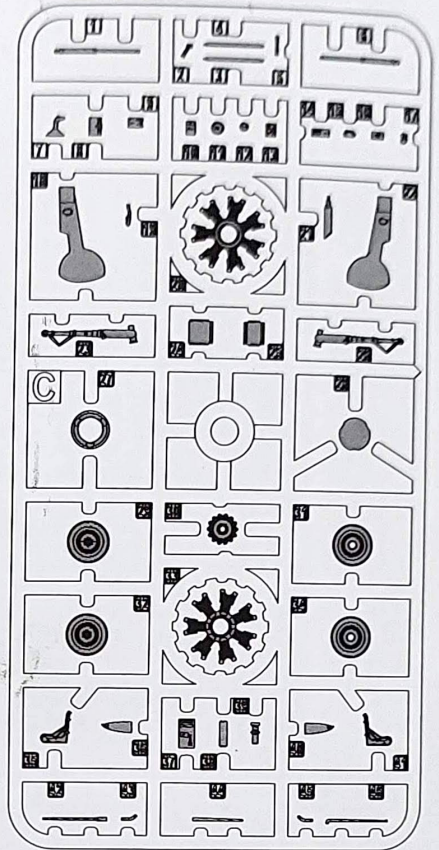
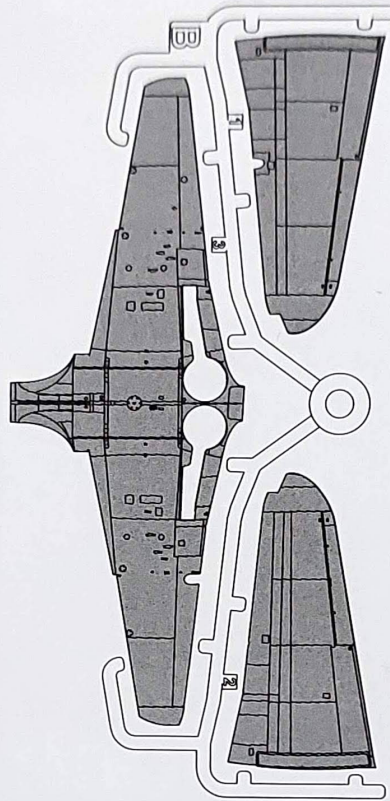
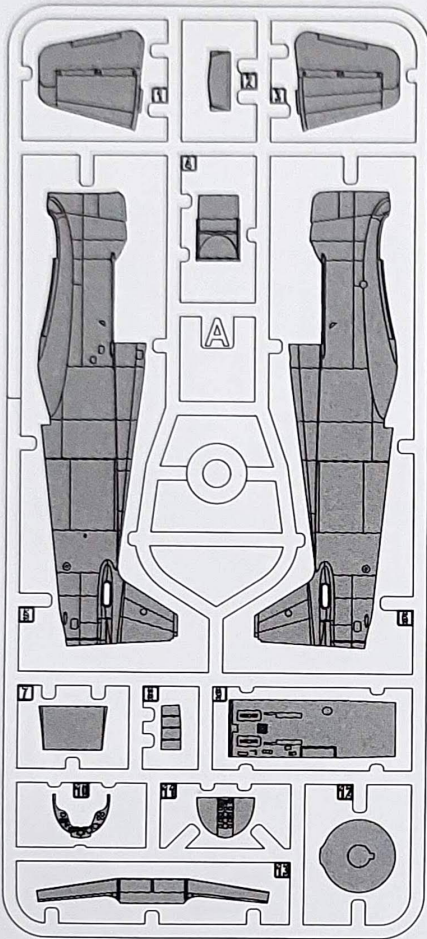


# Marcel-Bloch M.B.151

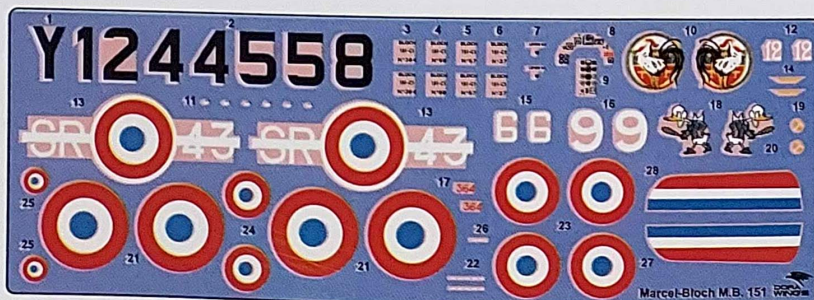
DW 72026

# PARTS OF THE MODEL

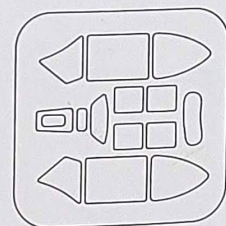
In memory of our friend Joël Ducasse - 1957-2019  
 The model was created according to the original drawings developed by Joel Ducasse in collaboration with Billault Sosthene Waroff



## Decal

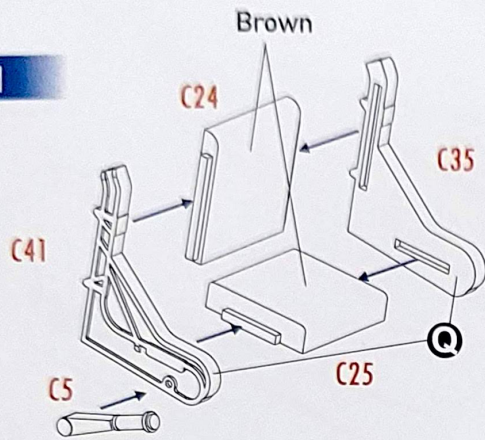


## Mask

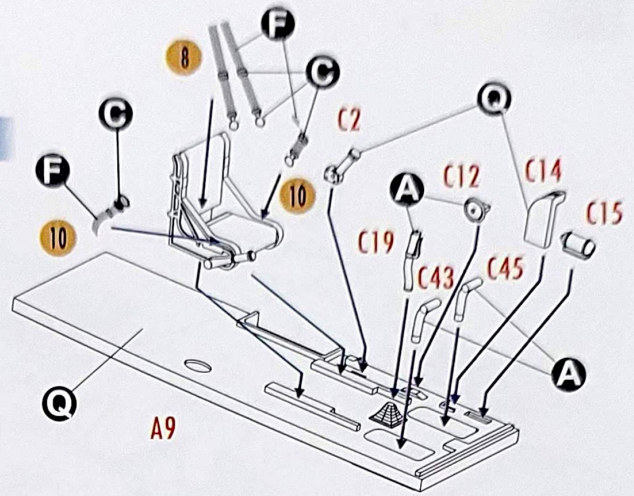


# ASSEMBLY INSTRUCTION

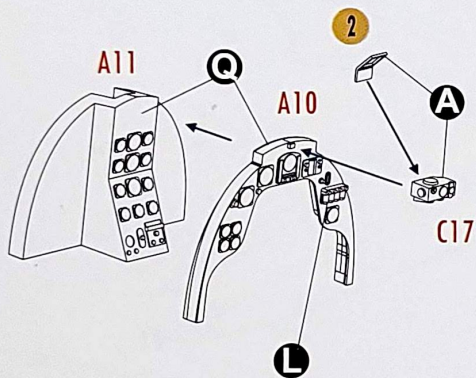
**1**



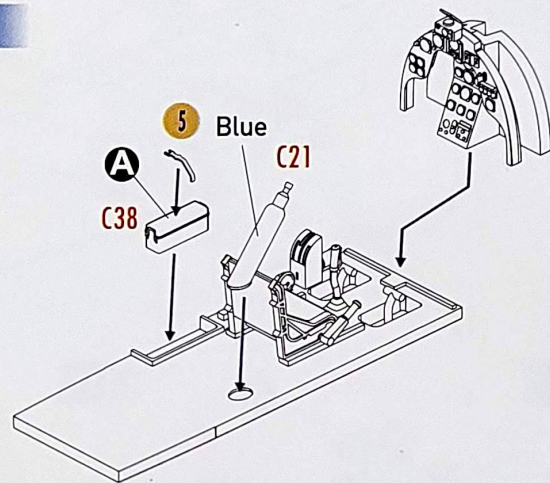
**2**



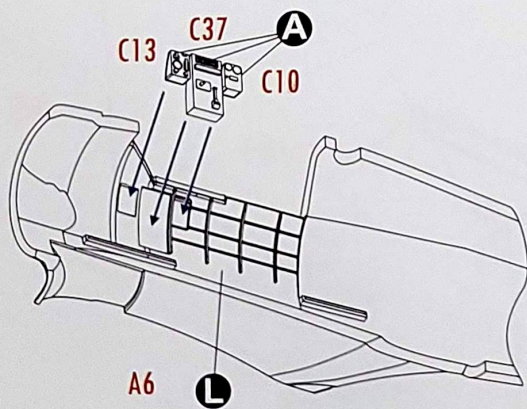
**3**



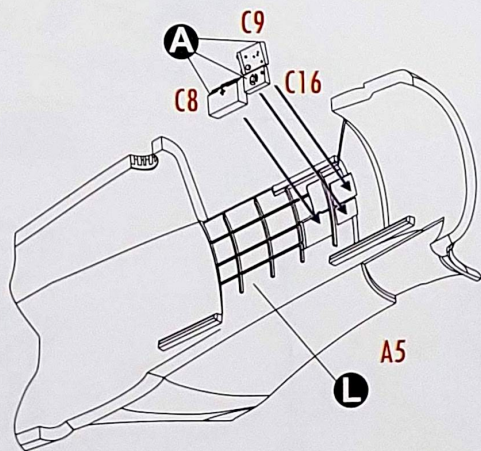
**4**



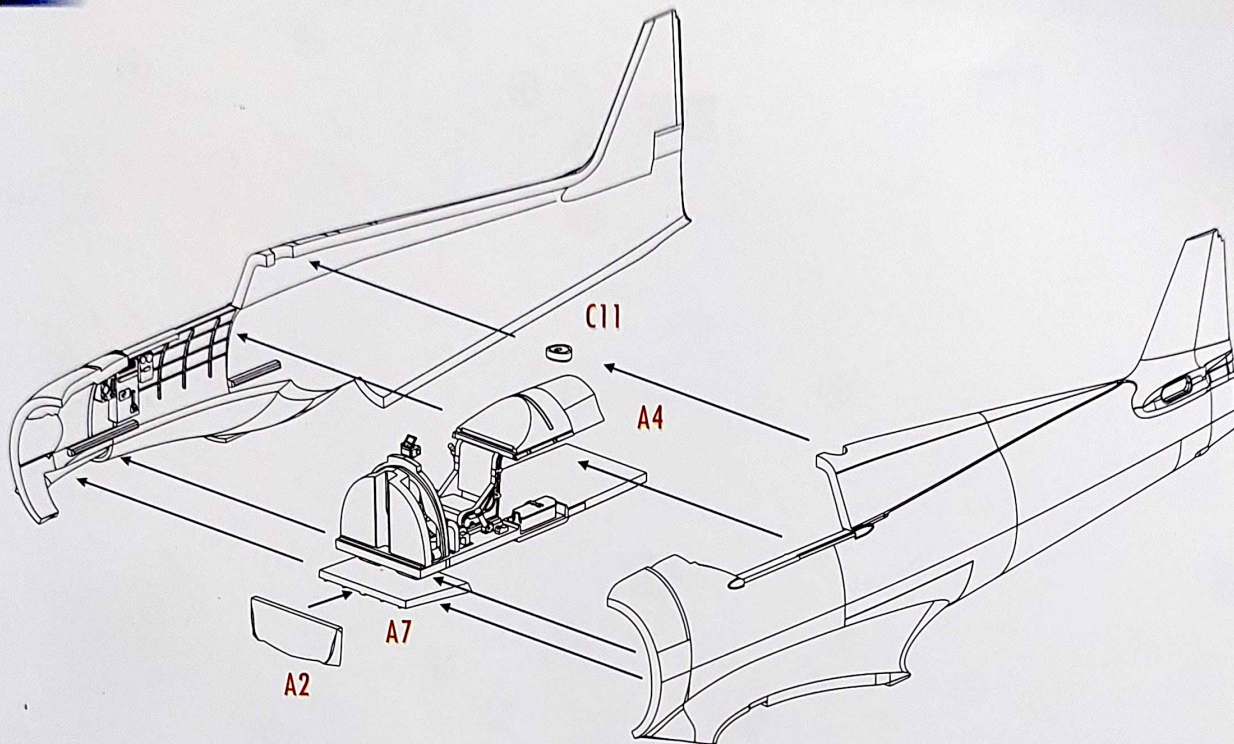
**5**



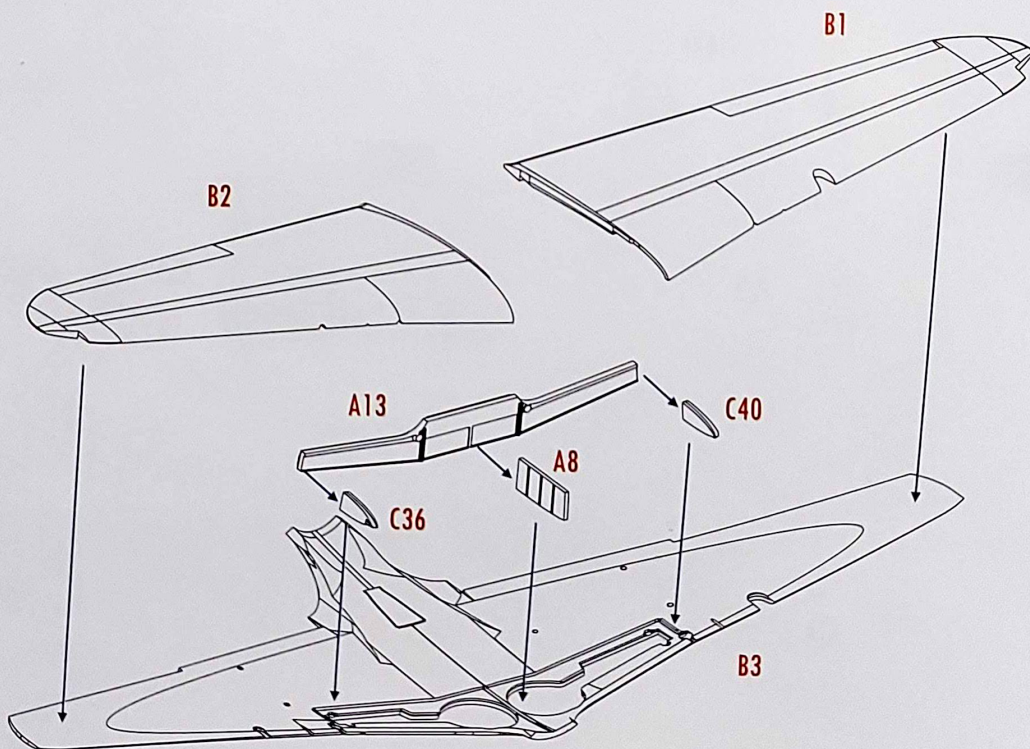
**6**



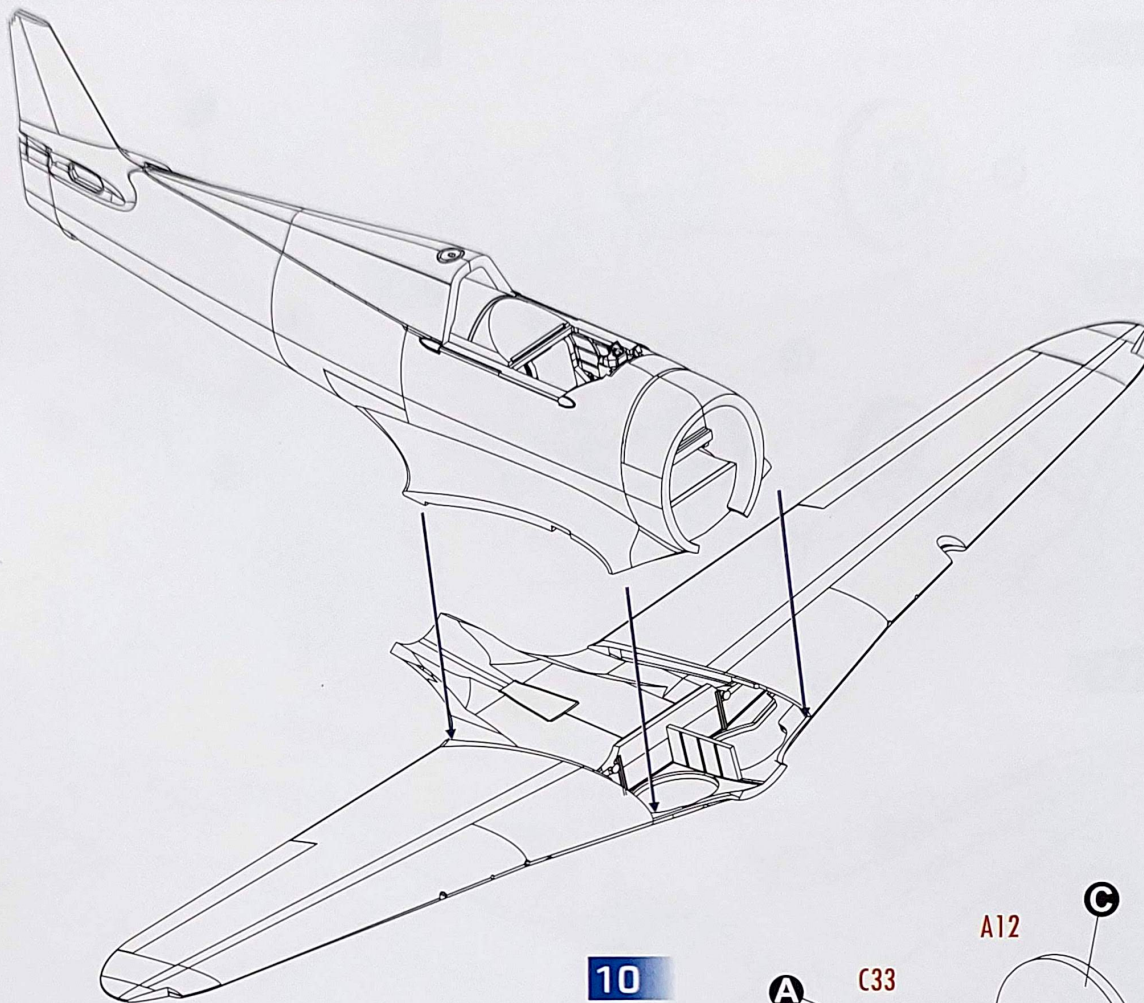
7



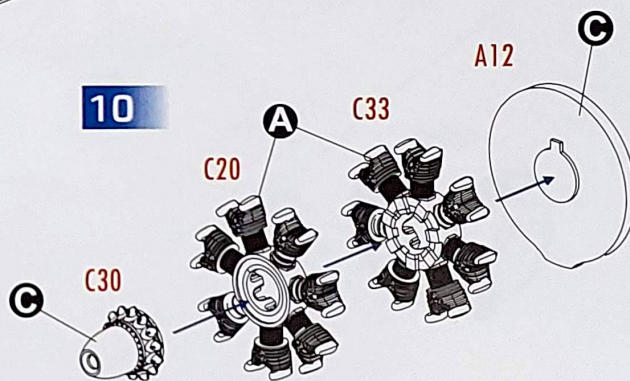
8



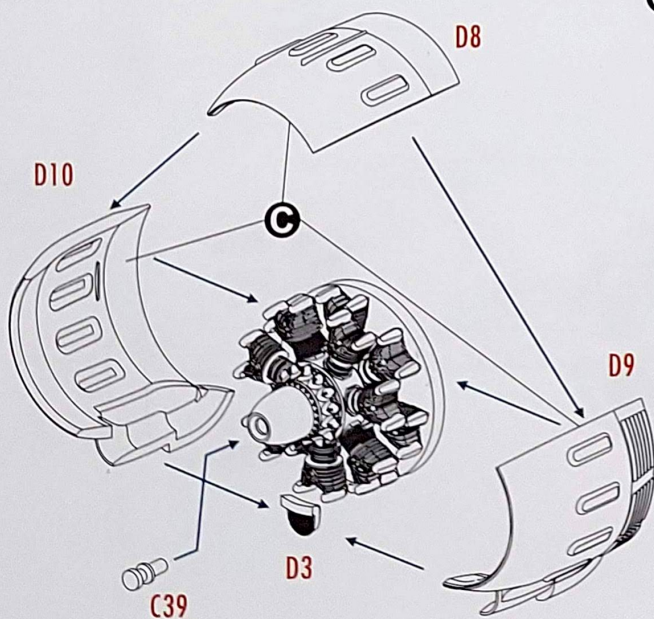
9



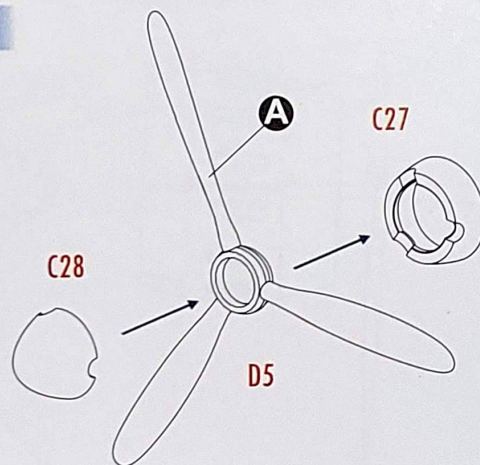
10



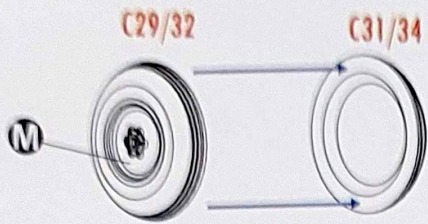
11



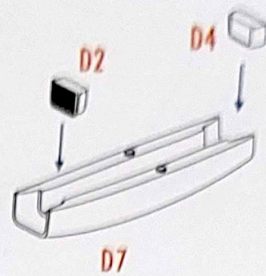
12



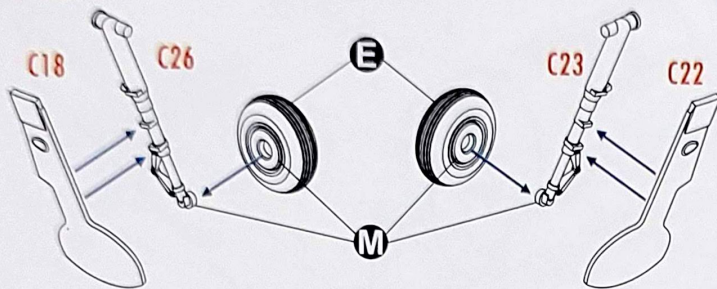
13



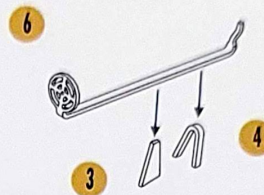
14



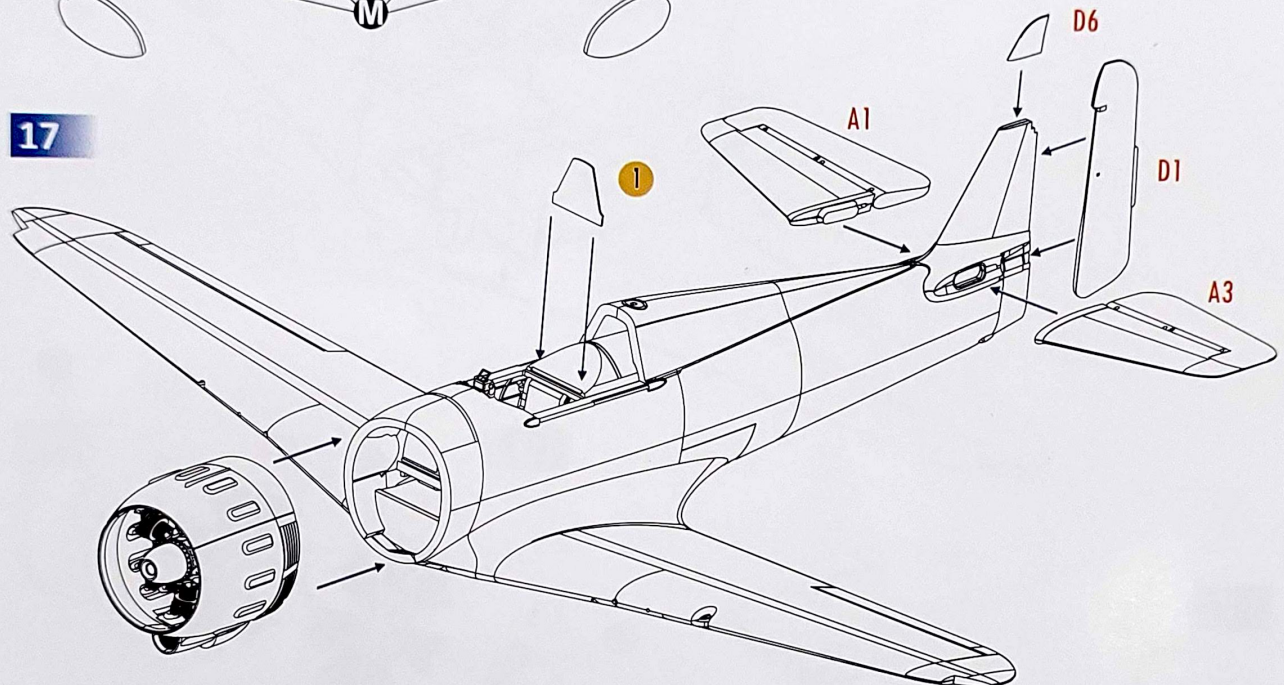
15



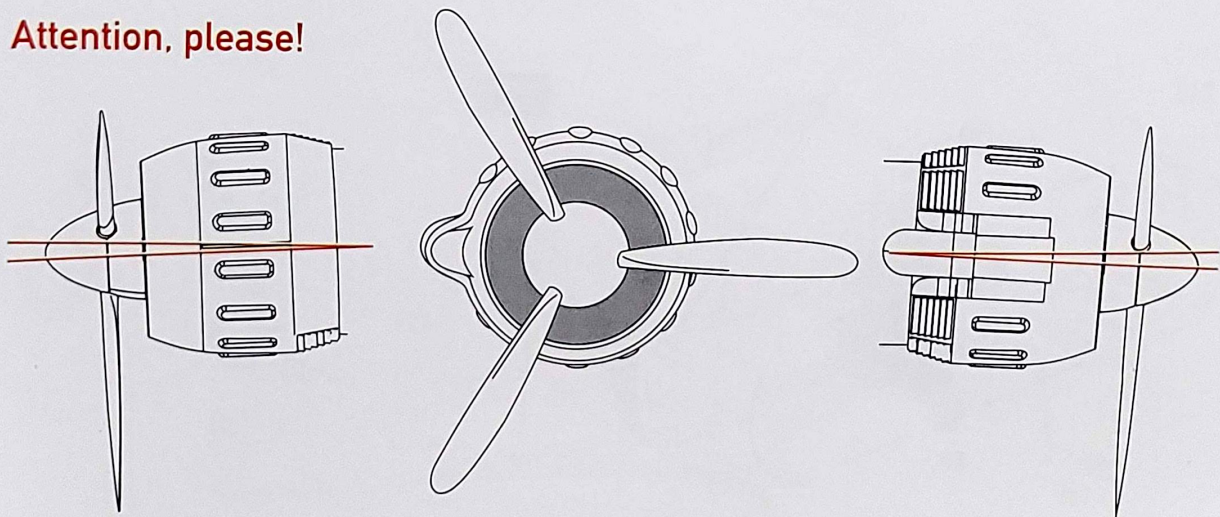
16



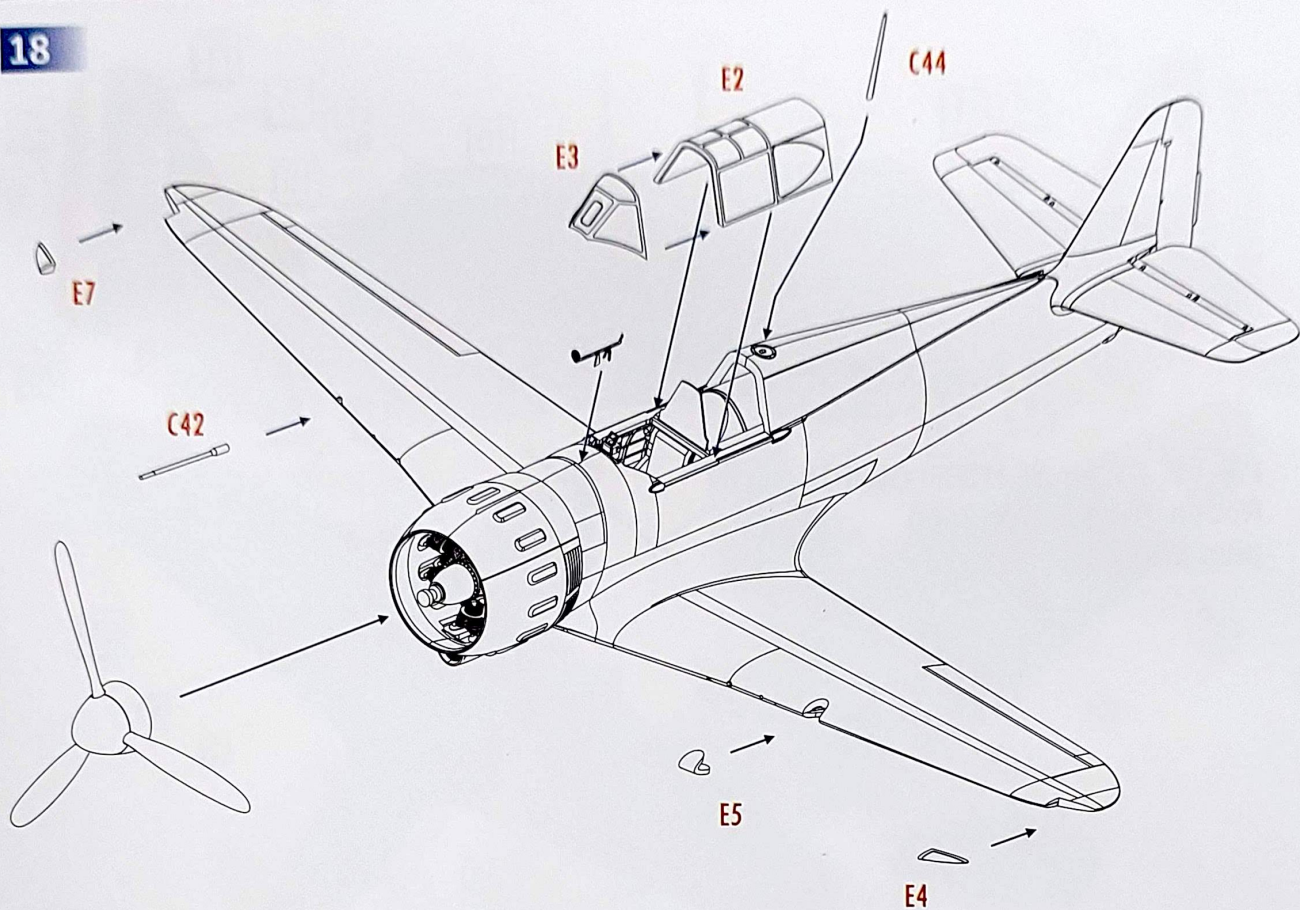
17



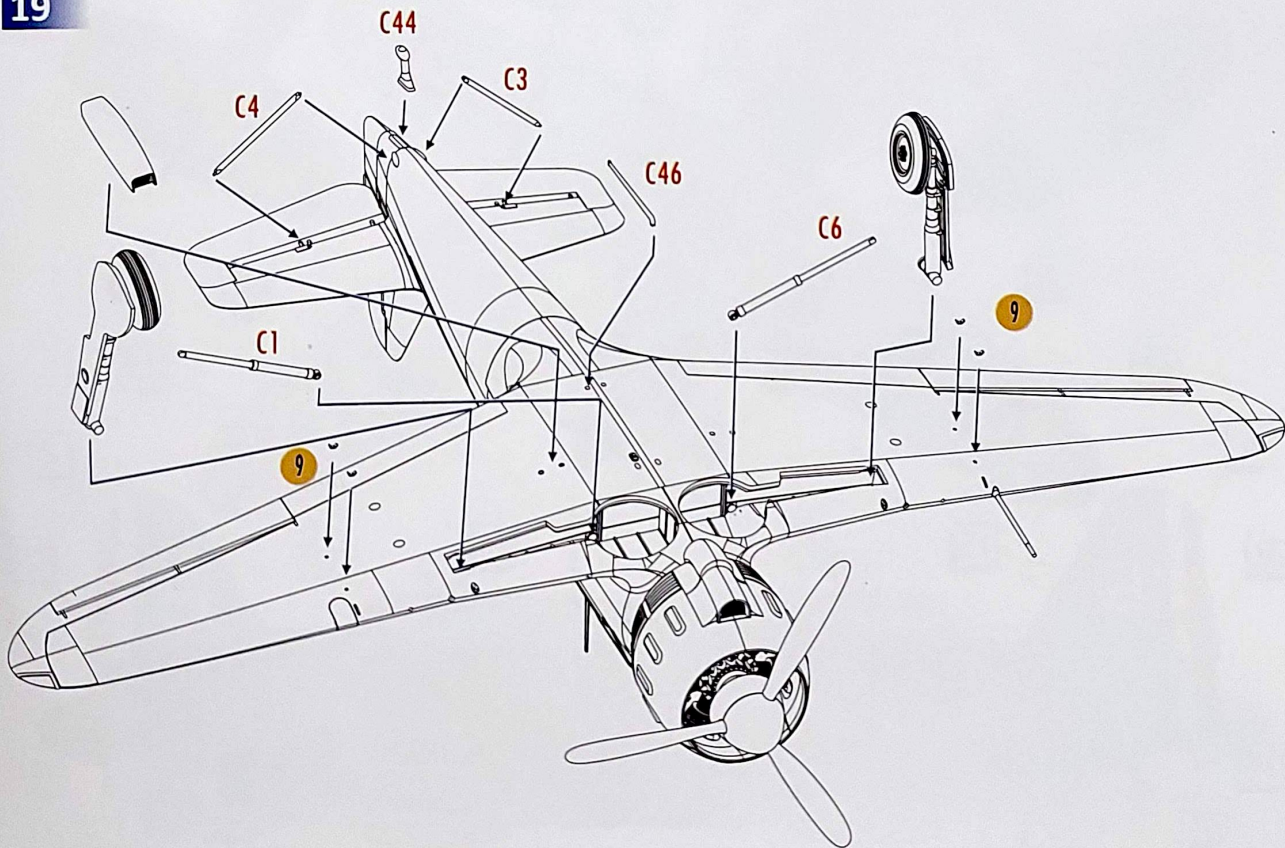
Attention, please!

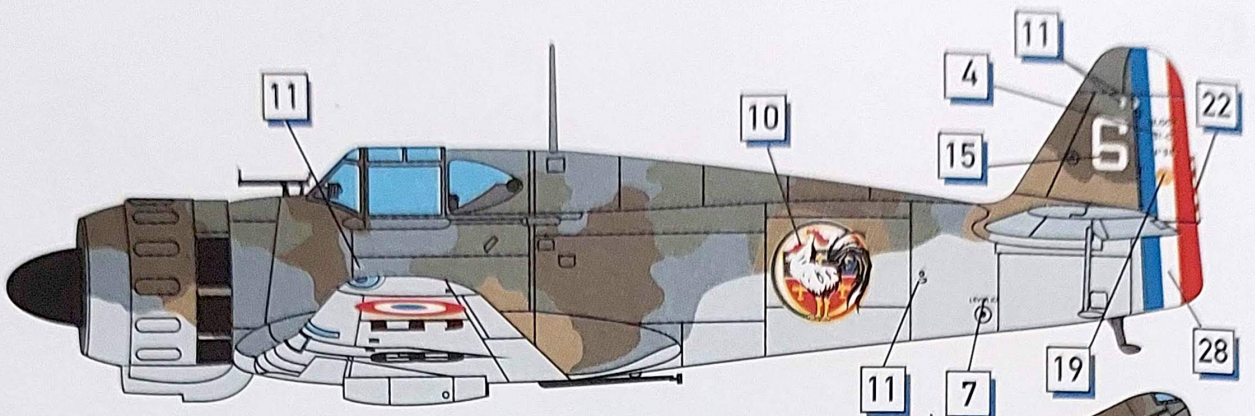


18

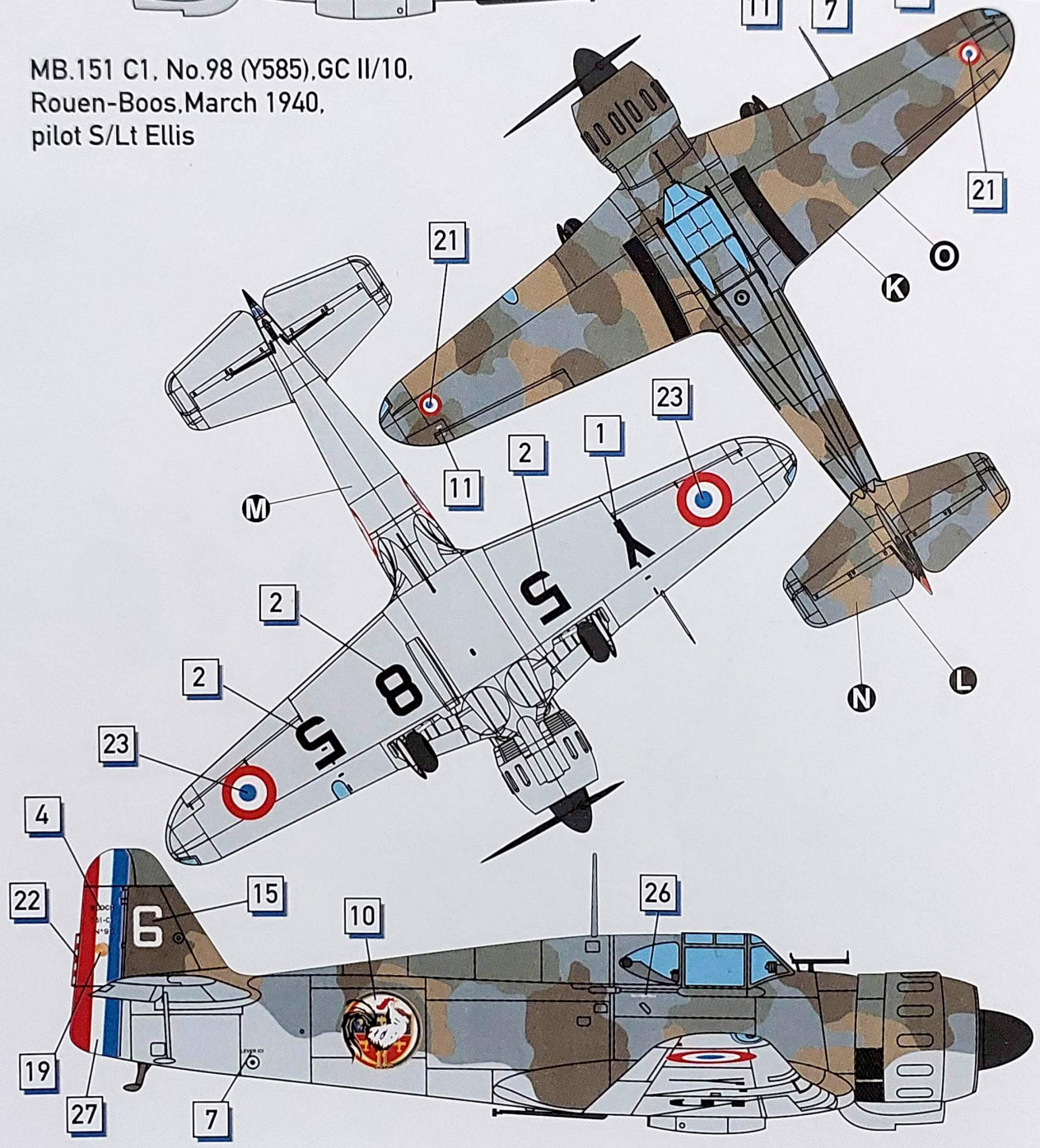


19



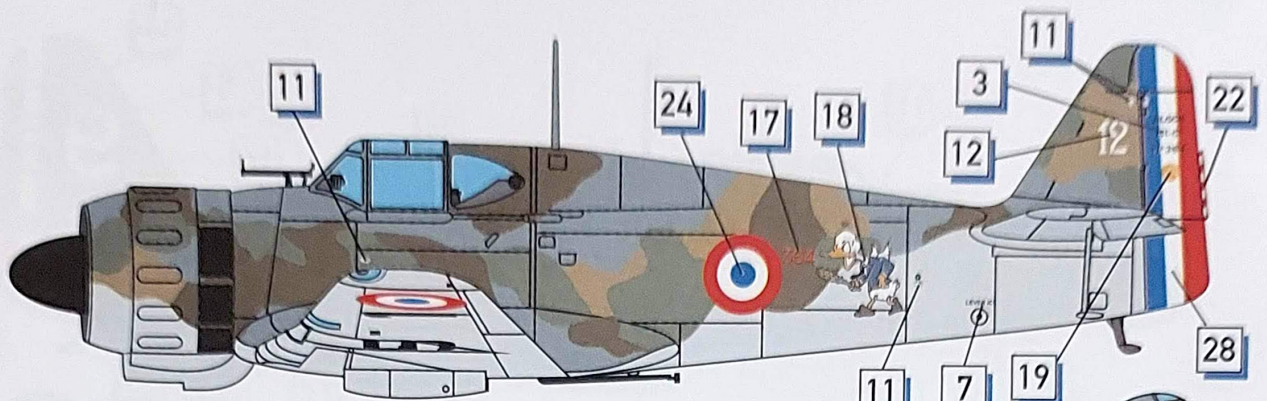


MB.151 C1, No.98 (Y585),GC II/10,  
Rouen-Boos, March 1940,  
pilot S/Lt Ellis

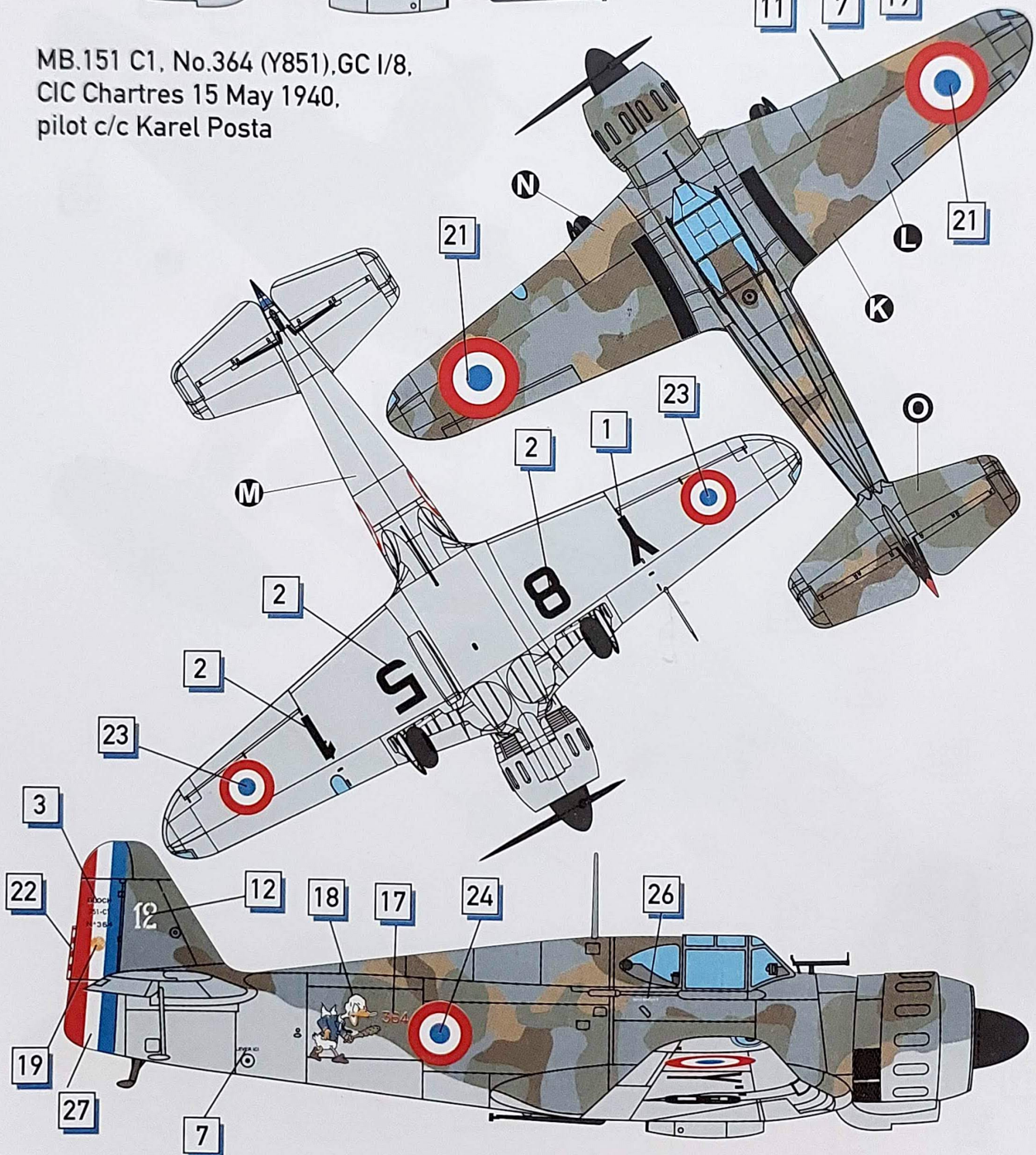


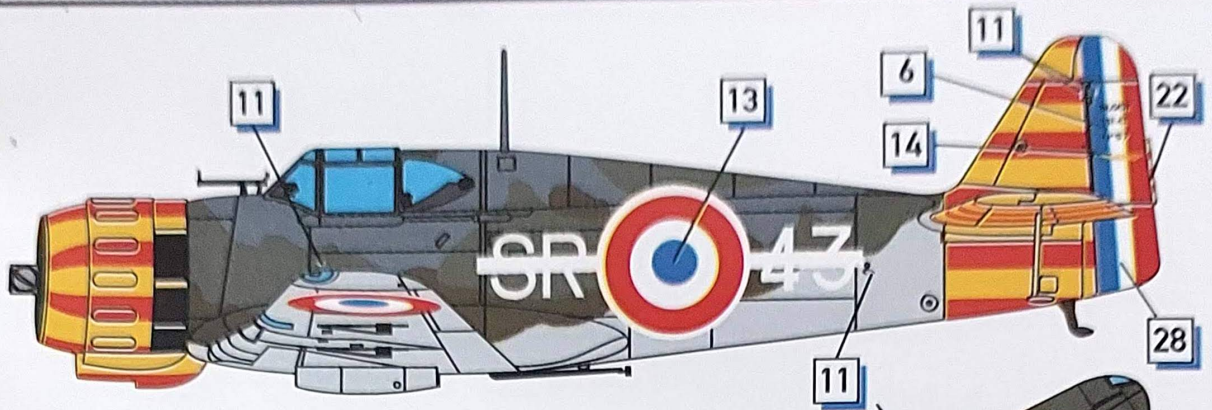




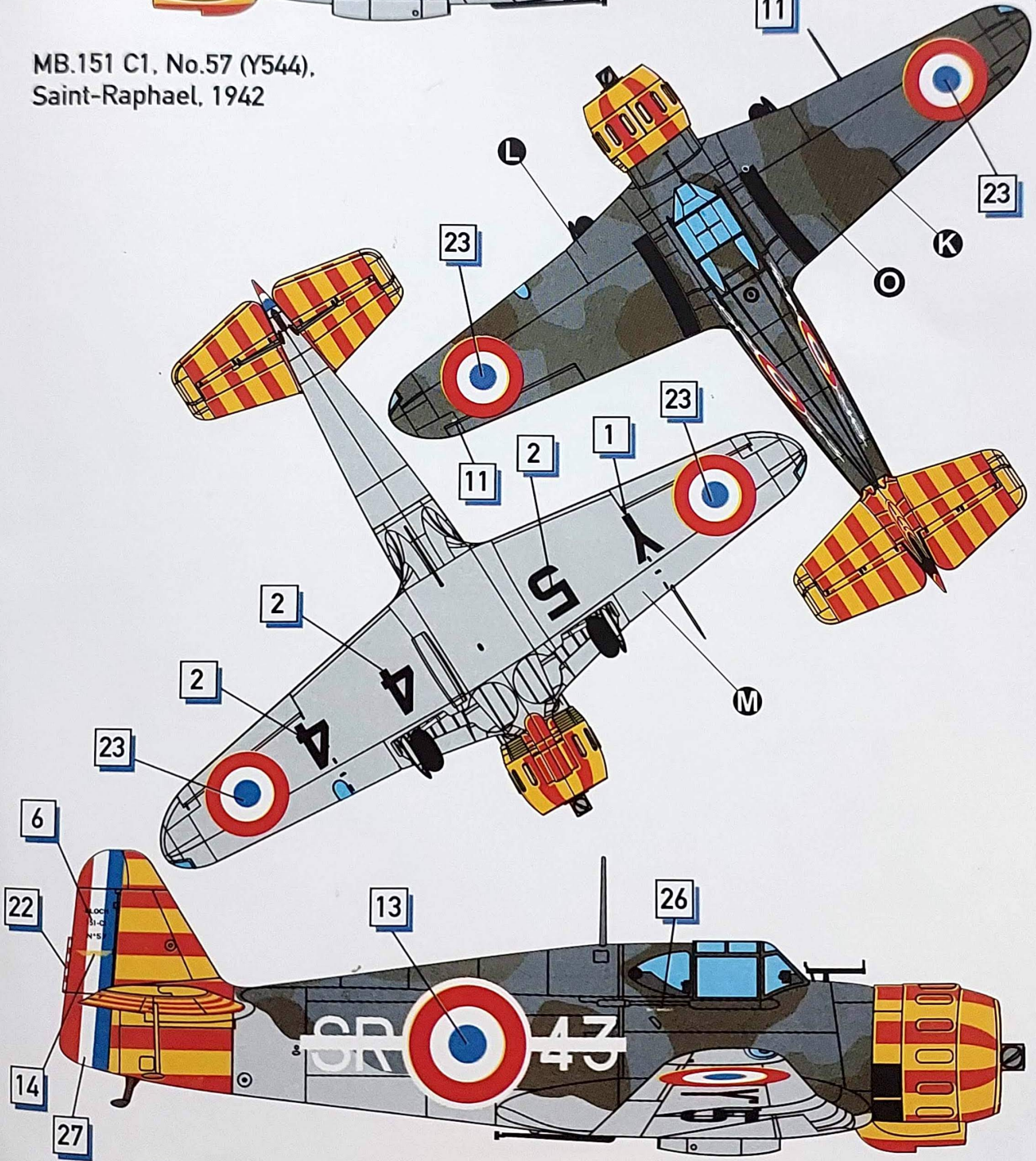


MB.151 C1, No.364 (Y851),GC I/8,  
CIC Chartres 15 May 1940,  
pilot c/c Karel Posta





MB.151 C1, No.57 (Y544),  
Saint-Raphael, 1942



## COLOR TABLE

Color Chart	MR. HOBBY	Tamiya	AMMO MIG	Hataka	LIFECOLOR
Black	<b>A</b> C33/H12	XF-1	MIG 046	HTK 100	LC 02
Silver	<b>B</b> C8/H8	X-32	MIG 195	HTK B003	LC 74
Aluminium	<b>C</b> MC 218	XF-16	MIG 194	HTK 078	LC 24
Gun Metal	<b>D</b> C78/H28	X-10	MIG 045	HTK 106	LC 26
Rubber Black	<b>E</b> C137/H77	XF-85	MIG 035		UA 733
Tan	<b>F</b> C44/H27	XF-55	MIG 202	HTK 187	LC 15
Clear Red	<b>G</b> C47/H90	XF-27	MIG 093		
Clear Green	<b>H</b> C138/H94	XF-25	MIG 092		
Burn Iron	<b>I</b> C61/H76	XF-25	MIG 187		LC 37
Signal Red	<b>J</b> C79/H11	XF-2	MIG 049	HTK-103	LC 56
Brun Fonce	<b>K</b> H84/H17 (50:50)	XF-52+ XF-10+XF-2 (5:5:1)		C 079	UA 143
Gris Bleu Fonce	<b>L</b> H56/H11 (50:50)	XF-53+ XF-2 (5:2)		C 082	UA 141
Gris Bleu Clair	<b>M</b> H67/H11 (50:50)	XF-23+ XF-2 (5:2)		C 083	UA 145
Terre de Sienne	<b>N</b> H318/H11(50:50)	XF-59+ XF-52 (6:1)		C 081	UA 144
Vert Fonce	<b>O</b> H73	XF-71+ XF-4 (5:1)		C 080	UA 146
Khaki Francais	<b>P</b> H80/H11(70:30)	XF-49+ XF-2 (5:2)		C 084	UA 142
Bleu Nuit Interieur	<b>Q</b> C366/H56	XF-18	MIG 228	HTK 027	UA 45

### USED SYMBOLS



CEMENT



DON'T CEMENT



REMOVE



SYMMETRICAL



MULTIPLE



BEND



OPEN WHOLE



VARIANTS



TO PAINT