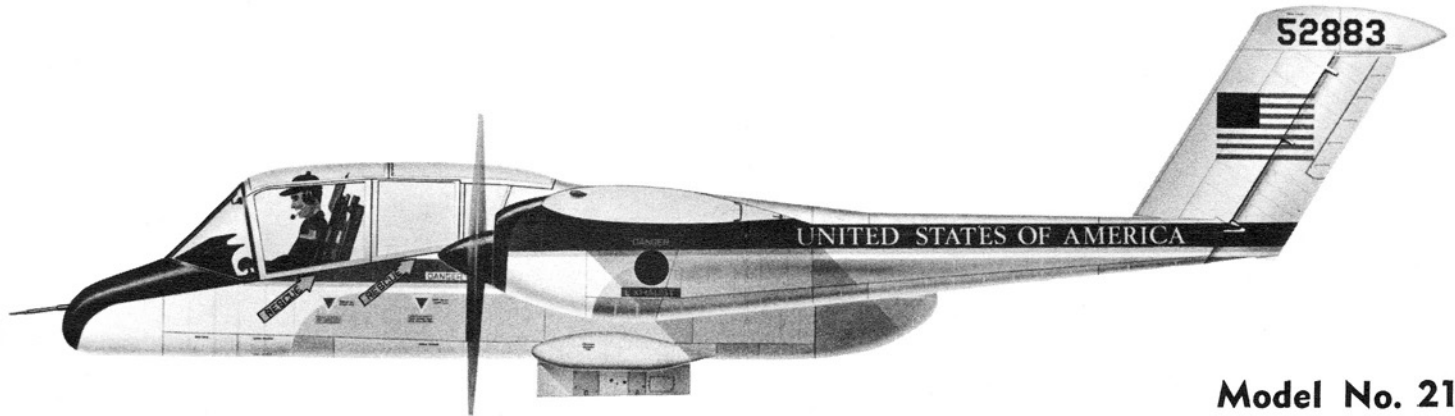


HAWK
IMC

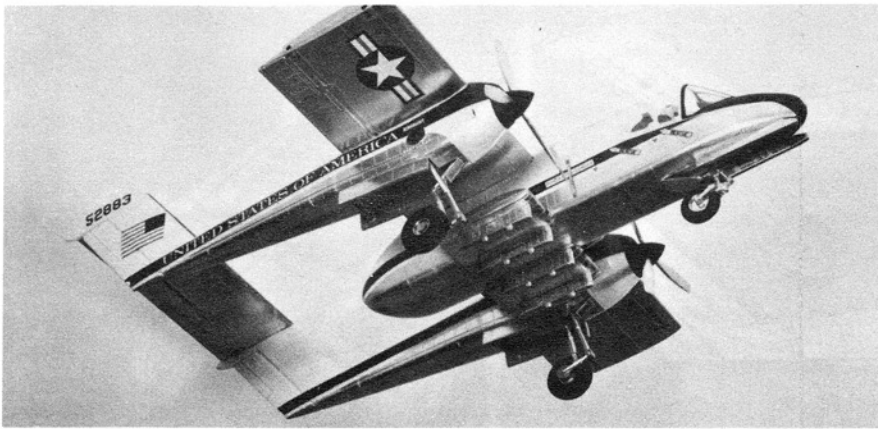
HAWK MODEL CO.
620 BUCKBEE STREET
ROCKFORD, ILLINOIS 61101

NORTH AMERICAN OV-10A Patrol Plane



Model No. 214

© HAWK - COPYRIGHT - 1967



While initially designed for the armed reconnaissance mission such as forward air controller, North American Aviation's OV-10A is also well suited to patrol and aid duties.

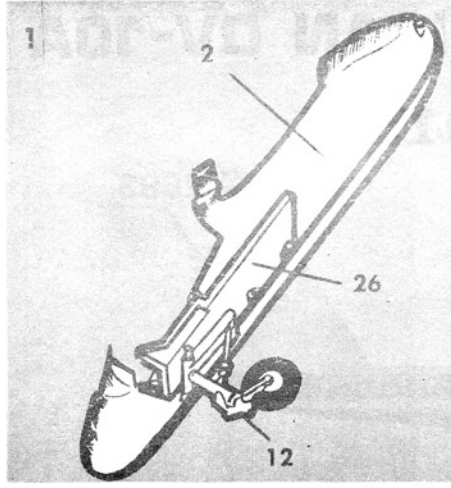
With a rugged landing gear enabling the aircraft to get into, and out of, poor soft surface airstrips, the OV-10A is an ideal design for operations in underdeveloped nations requesting United States' aid.

Internal space within the centerbody can be as high as 111 cubic ft. (aft cockpit provisions removed) with a weight capacity of 3000 lbs. The space allows 2 litter patients plus a medic should the mission be medical support. The aft centerbody doors can be removed allowing parachute cargo drops of pallet loaded supplies.

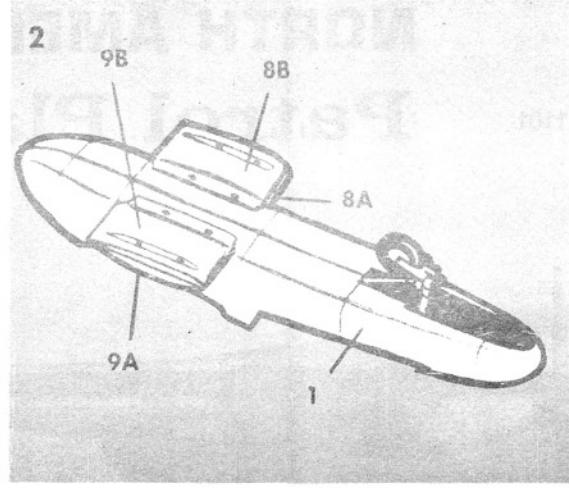
Coupled with the multimission capability is the airplane's maintenance and reliability engineering. North American engineers have produced an aircraft based upon systems simplicity and have made use of operationally proven components. Maintenance, often a problem with complex jet aircraft, has been minimized on the OV-10A by virtue of easy access to major components that can be worked on with simple standard equipment and with relatively low skill level personnel.

The basic OV-10A design spans 30 ft. 3 in. (Future growth calls for a 40 ft. version and a 50 ft. version). Length is 40 ft. Maximum over-load gross weight is 13,264 lbs.

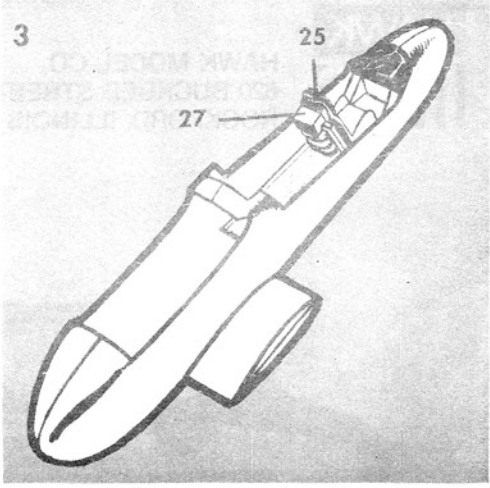
Read the instructions over very carefully before beginning construction. Study the parts and identify them with the pictures. **The plating must be scraped off at each glue joint or the parts will not hold together.** Use polystyrene cement for assembly and enamels for painting. Work slowly and carefully.



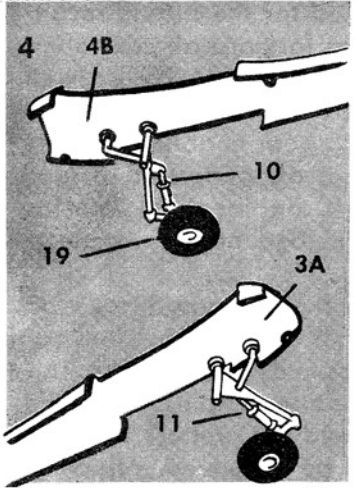
1
2
26
12
Glue the nose gear strut -12- into the holes located in the right fuselage half -2-. Glue the cockpit floor -26- to the top of the gear and to the stop pin at the rear of the floor. Note the sharp points at the front of the floor lineup with the bottom of the instrument panel.



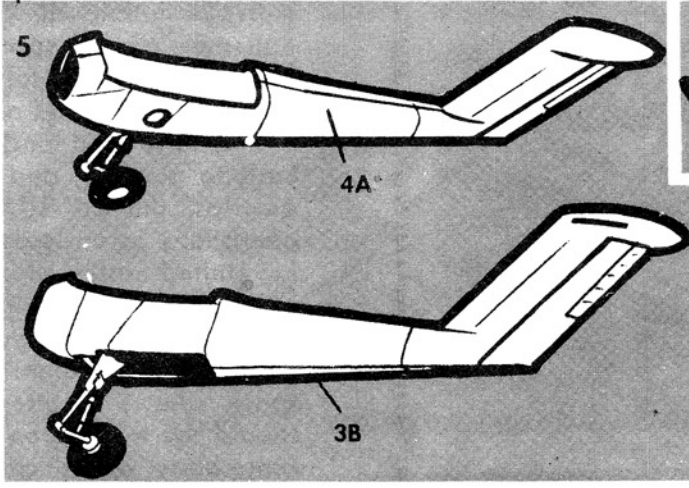
2
9B
8B
8A
9A
1
Glue left fuselage half -1- to the right fuselage half . . . be sure to guide the nose gear pin into the hole in the left fuselage half. Glue sponson halves 9A and 9B together. Glue halves 8A and 8B together. Now glue them to the fuselage as shown.



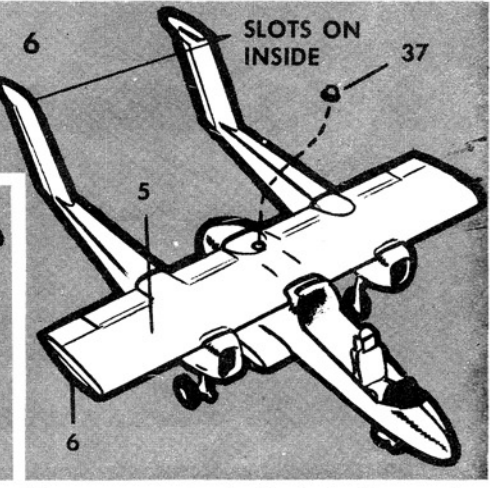
3
25
27
Glue 27 to the back of the seat -25- as shown. Now glue the seat into the notch on the cockpit floor. Paint the seat, cockpit floor, and cockpit sidewalls gray. The instrument panel and glare shield over the panel is painted flat black as shown.



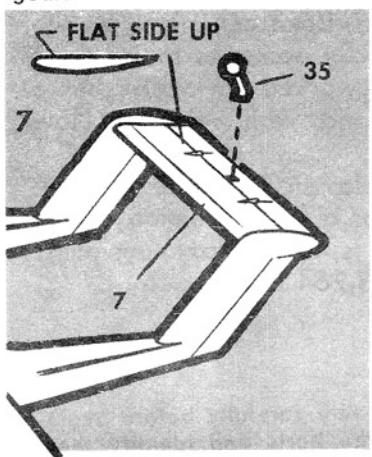
4
4B
10
19
3A
11
Glue the left main gear -10- to the left inboard boom half -4B- as shown. Glue the right main gear -11- to the right inboard boom half -3A-. Paint the gear gray. Paint tires -19- flat black and glue to the gear.



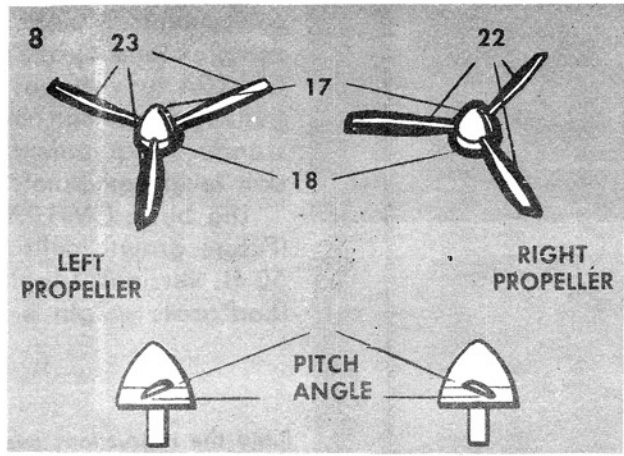
5
4A
3B
Glue the right outboard boom half -3B- to the right boom assembly. Glue the left outboard boom half -4A- to the left boom.



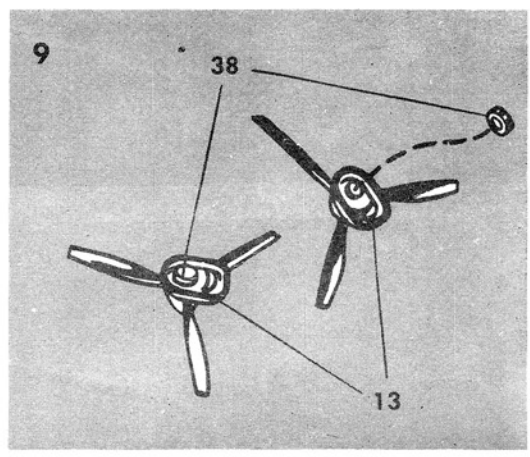
6
SLOTS ON INSIDE
37
5
6
Glue upper wing half -5- to lower wing half -6-. Glue the wing to the fuselage sliding the leading edge under the forward notch then pushing the trailing edge down. Glue the booms to the wing—stabilizer slots facing each other. Add the collision beacon -37- to the wing as shown.



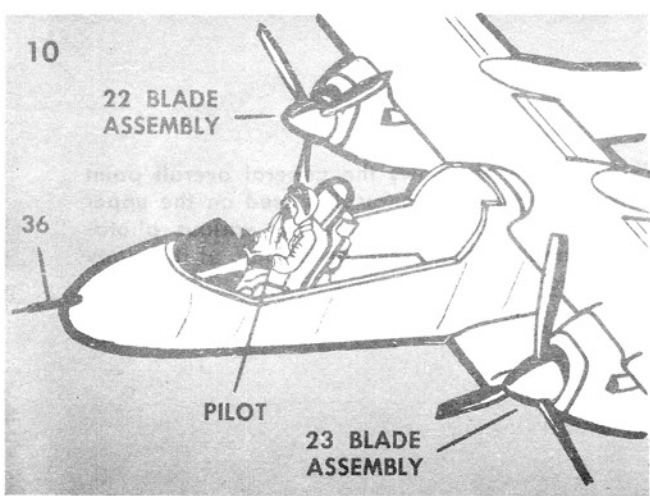
7
FLAT SIDE UP
35
7
Glue the stabilizer -7- to the booms. The flat surface of the stabilizer faces up. Glue the elevator counterbalance -35- to the elevator.



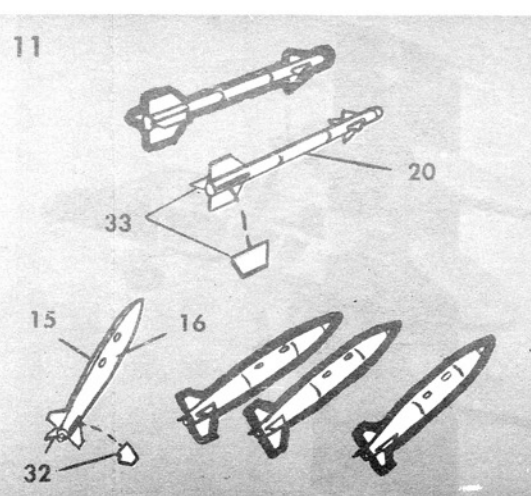
8
23
17
22
18
LEFT PROPELLER
RIGHT PROPELLER
PITCH ANGLE
Glue the propeller hub halves together—front, 17; rear, 18—carefully lining up the holes for the propeller blades. Take 3 blades marked -23- and glue them into one of the hubs. This will make the propeller for the left boom. Be sure the prop blades have the correct pitch angle as shown in the lower sketch. Repeat for the right boom propeller—blades 22. Note the pitch angle is reversed.



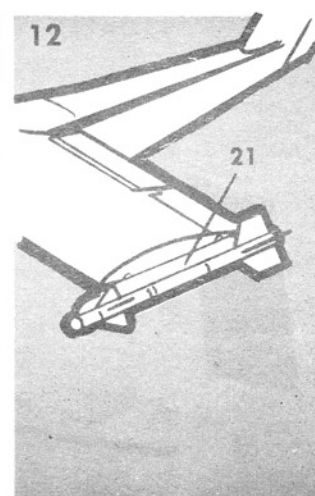
9
38
13
Place the propellers into the boom nose intake scoops -13- as shown—do not cement. Place a SMALL drop of cement in the hole of the propeller retainers -38- and glue the retainers to the propeller shafts as shown in the left sketch.



Glue the blade assemblies and intake scoops to the boom as shown. Glue the pitot tube -36- to the fuselage. Paint the pilot figure as shown on the last page and glue him to the seat.



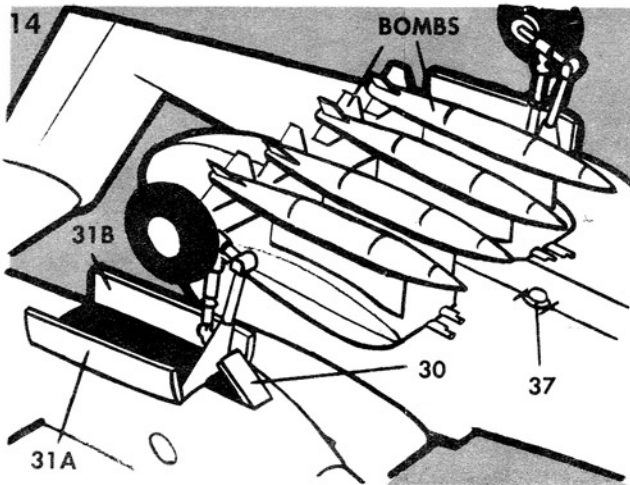
Glue the Sidewinder fins -33- into the slots in the missile body -20-. Paint entire missile white. Cement bomb halves -15 and 16- together. Add the bomb fins -32-. Paint entire bomb olive drab.



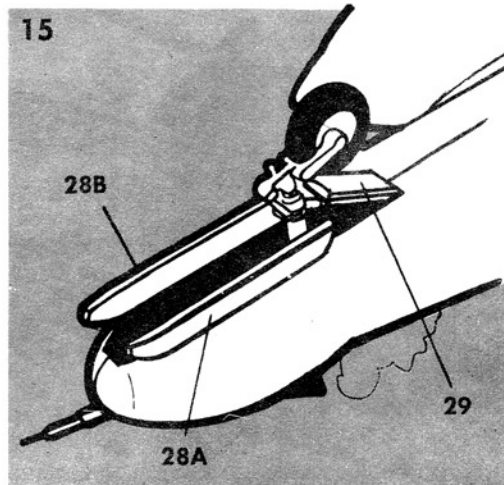
Glue the missile launcher -21- to the wingtips. Glue the Sidewinder missiles in to place.



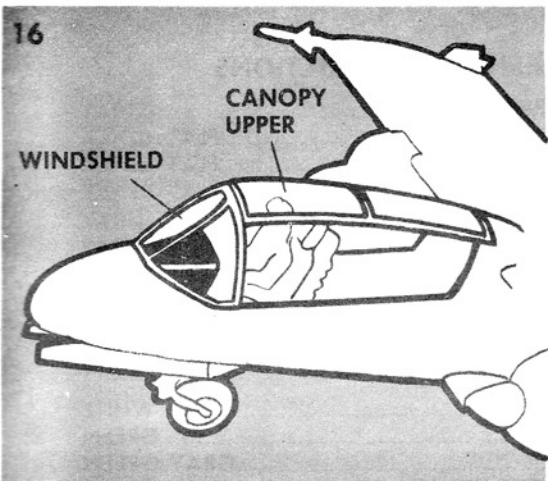
Glue the bomb racks -14- to the sponsons. Glue the guns -34- into place as shown.



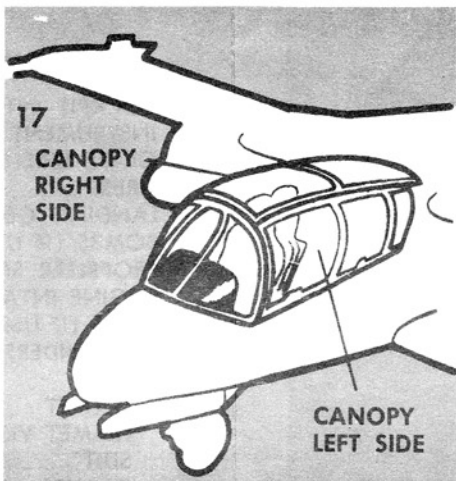
Glue the bombs into place. Add the collision beacon -37-. Add the landing gear doors to both booms as shown.



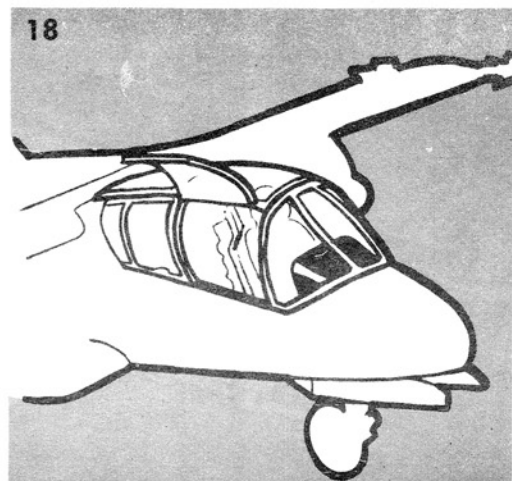
Glue the nose gear door into place as shown.



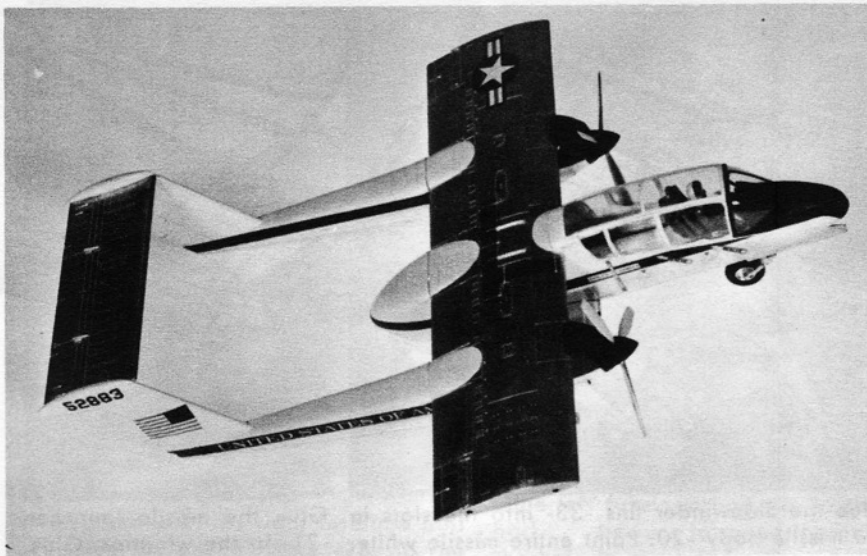
Carefully glue the windshield into place. Now glue the upper canopy section into place.



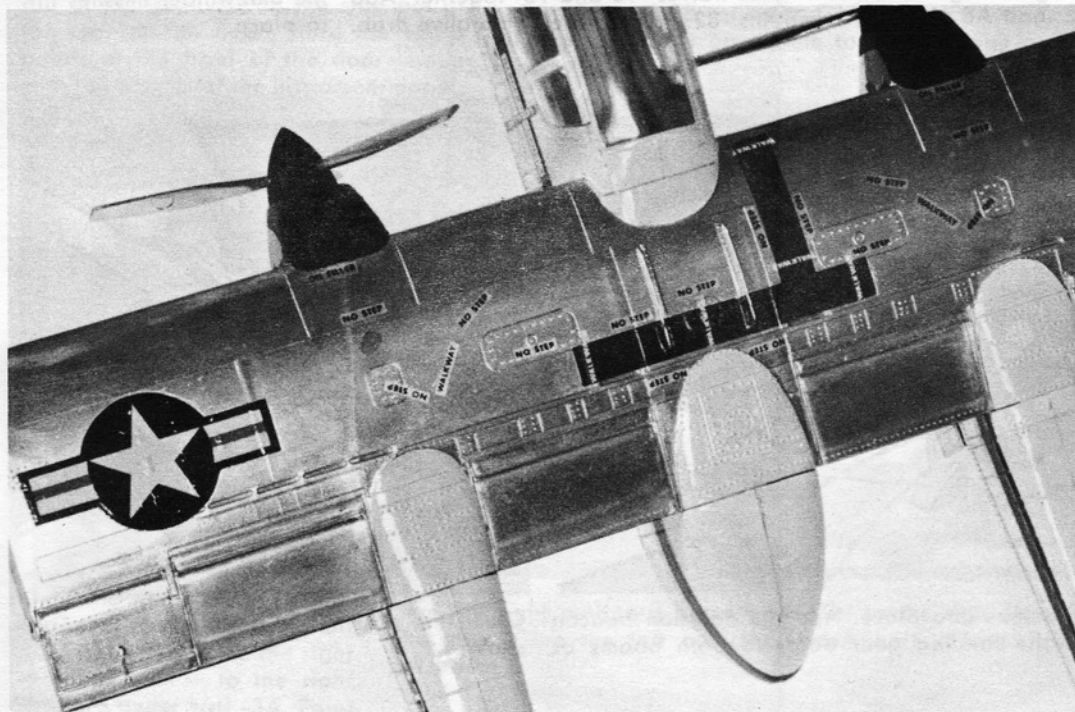
Add the canopy left and right sides as shown. Paint the framework to match the fuselage color.



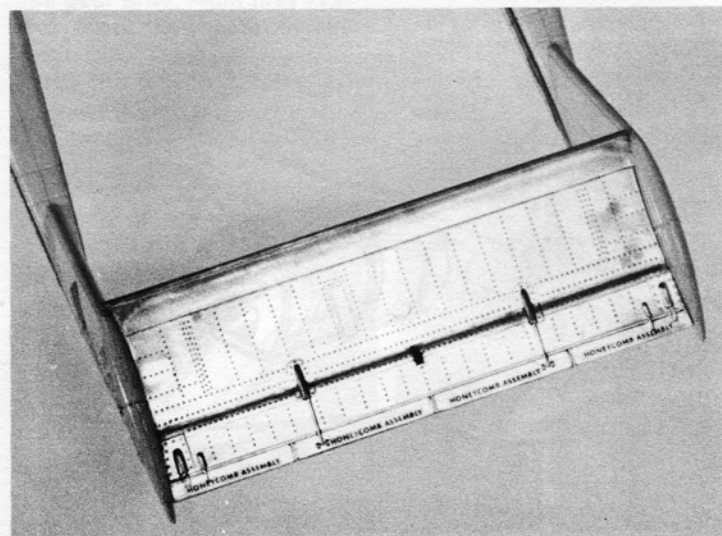
This shows a special modification that you can make by carefully cutting one canopy side panel. Work very carefully.



This photograph shows the general overall paint scheme. Gloss white enamel is used on the upper surfaces as indicated. Study the various photographs and the box cover for location of the many decal markings.



Shown here is the placement of the small lettering on the wing upper surface.



This view shows where the words HONEYCOMB ASSEMBLY go on the top of the stabilizer.

FINISHING INSTRUCTIONS

- | | |
|---|------------|
| COCKPIT INTERIOR | GRAY |
| INSTRUMENT PANEL | FLAT BLACK |
| GLARE SHIELD | FLAT BLACK |
| TIRES | FLAT BLACK |
| LANDING GEAR STRUTS | GRAY |
| BOMBS (IF USED) | OLIVE DRAB |
| PROPELLER SPINNER | FLAT BLACK |
| ENGINE INTAKE SCOOPS | FLAT BLACK |
| GUNS (IF USED) | FLAT BLACK |
| SIDEWINDERS and LAUNCH RAILS (IF USED) | WHITE |
| PILOT: | |
| HELMET | WHITE |
| HELMET VISOR | GREEN |
| SUIT | GRAY-GREEN |
| GLOVES, BOOTS, OXYGEN MASK | FLAT BLACK |
| FACE | FLESH |
| AIRCRAFT EXTERIOR: | |
| MAY BE LEFT SILVER OR TRIMMED WITH WHITE AS SHOWN ON COVER AND PHOTOGRAPHS. | |

UNITED STATES OF AMERICA

UNITED STATES OF AMERICA

WALKWAY	NO STEP	NO STEP	NO STEP
WALKWAY	NO STEP	NO STEP	NO STEP
WALKWAY	NO STEP	NO STEP	NO STEP
WALKWAY	NO STEP	NO STEP	NO STEP
WALKWAY	NO STEP	NO STEP	NO STEP
WALKWAY	OIL FILLER	NO HANDHOLD	
WALKWAY	OIL FILLER	NO HANDHOLD	

HONEYCOMB ASSEMBLY
 HONEYCOMB ASSEMBLY
 HONEYCOMB ASSEMBLY
 HONEYCOMB ASSEMBLY

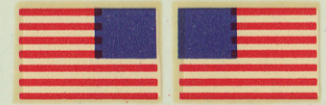
RESCUE →
 RESCUE →
 ← RESCUE
 ← RESCUE



52883 52883

EXHAUST

DANGER—DANGER
 DANGER—DANGER
 EXHAUST



KEEP CLEAR
 KEEP CLEAR

