

Clear Prop!

**AIRCO
DH.9A**



1:72

model # CP72027

ADVANCED



scale model kit

SPAN: 194,74 mm ◦ LENGTH: 128,31 mm ◦ NUMBER OF PARTS: 383 pcs

- 1** stages of assembly
- ?** optional
- A** variants of assembly
- glue by super glue
- A1** part number
- do not glue
- fill with putty
- make a hole
- 1** apply decals
- detach with knife
- 1** apply the adhesive mask
- paint
- bend
- repeat the operation N times

Role Light bomber/General purpose
 Manufacturer Airco
 First flight March 1918
 Introduction 1918
 Retired 1931
 Primary users Royal Air Force, Soviet Air Forces, Royal Australian Air Force
 Number built 1,997 + 2,400+ as R.1

The Airco DH.9A was a British single-engined light bomber designed and first used shortly before the end of the First World War. It was a development of the unsuccessful Airco DH.9 bomber, featuring a strengthened structure and, crucially, replacing the under-powered and unreliable inline 6-cylinder Siddleley Puma engine of the DH.9 with the American V-12 Liberty engine. As Airco was busy developing the Airco DH.10 Amiens twin-engined bomber, detailed design was carried out by Westland Aircraft. The DH.9 was fitted with new, longer-span wings and a strengthened fuselage structure. The first prototype flew in March 1918, powered by a Rolls-Royce Eagle as no Liberty engines were yet available. The prototype proved successful, with the first Liberty-engined DH.9A flying on 19 April 1918, and deliveries to the Royal Air Force starting in June. By the end of the war, a total of 2,250 DH.9As had been ordered, with 885 being built by the end of the year. As it was decided that the DH.9A would be a standard type in the postwar RAF, the majority of outstanding orders were fulfilled, with 1,730 being built under the wartime contracts before production ceased in 1919. Colloquially known as the "Ninak" (from the phonetic alphabet treatment of designation "nine-A"), it served on in large numbers for the Royal Air Force following the end of the war, both at home and overseas, where it was used for colonial policing in the Middle East, finally being retired in 1931.

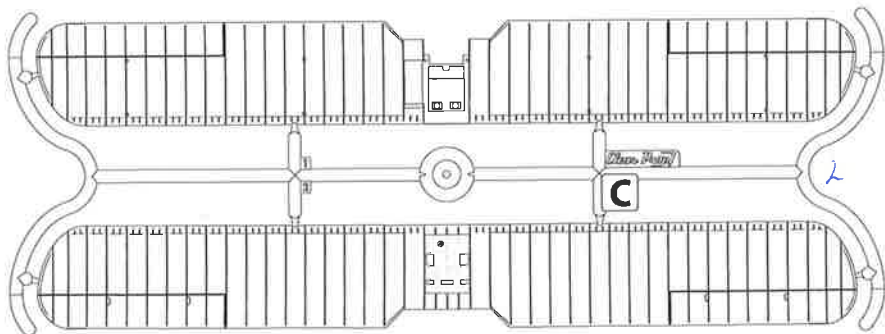
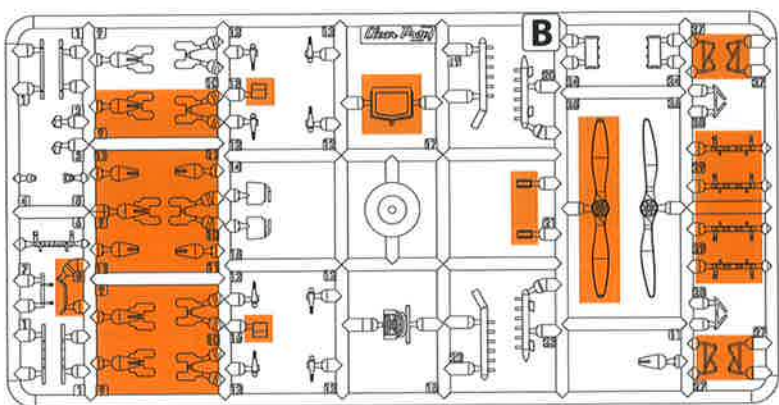
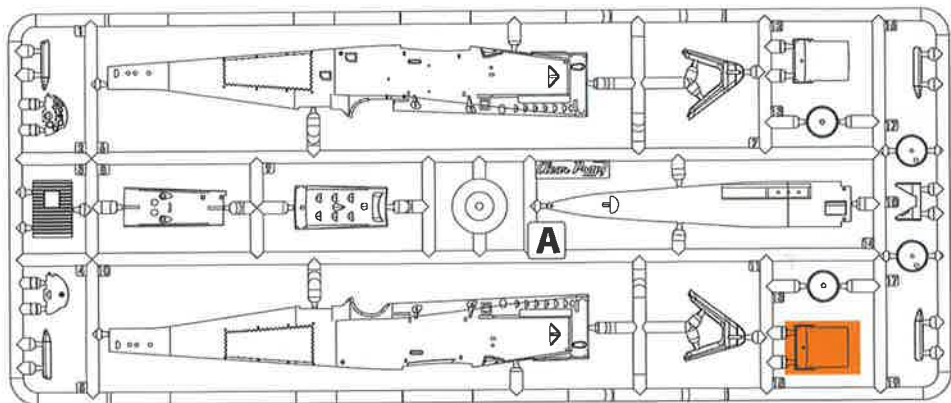
REQUIRED PAINTS

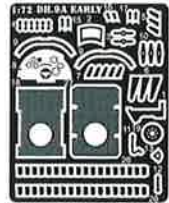
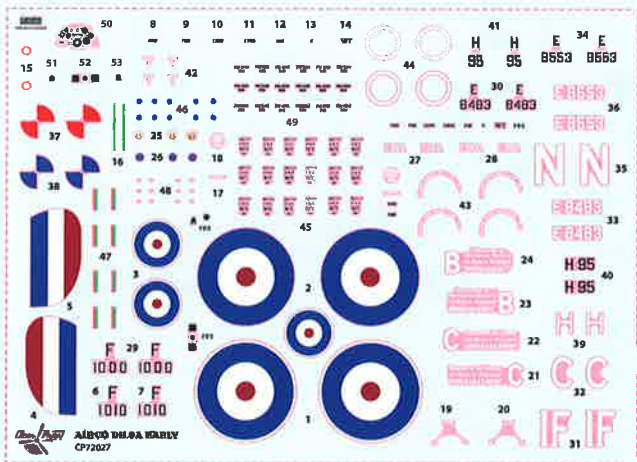
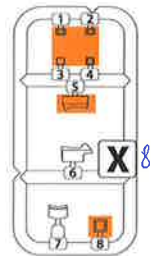
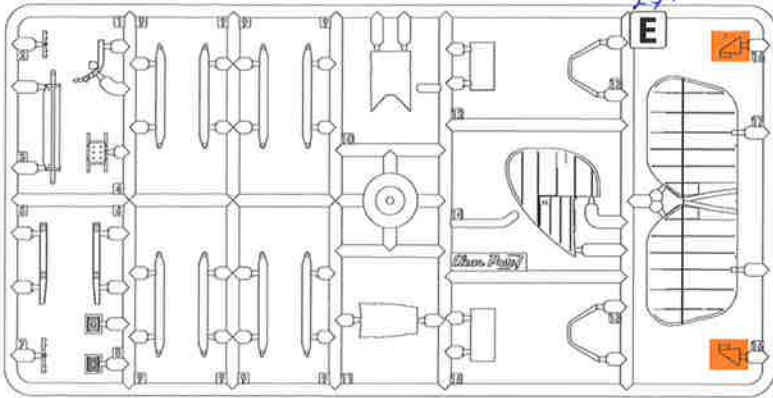
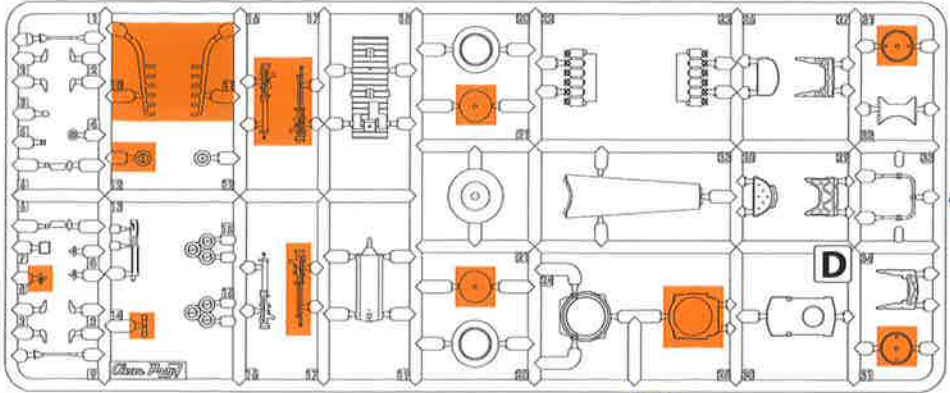
- A** A.MIG-0197 BRASS
- B** A.MIG-0199 COPPER
- C** A.MIG-0045 GUN METAL
- D** A.MIG-0194 ALUMINIUM
- E** A.MIG-0191 STEEL
- F** A.MIG-0010 DARK YELLOW
- G** A.MIG-0040 RUST
- H** A.MIG-0133 LEATHER
- I** A.MIG-0029 DESERT YELLOW
- J** A.MIG-0245 OCEAN GREY
- K** A.MIG-0926 OLIVE DRAB
- L** A.MIG-0091 VARNISH GLOSSY
- M** A.MIG-0246 MEDIUM SEA GREY
- N** A.MIG-0050 WHITE
- O** A.MIG-0064 EARTH BROWN
- P** A.MIG-0032 SATIN BLACK
- R** A.MIG-0033 RUBBER
- S** A.MIG-0038 LIGHT WOOD
- T** A.MIG-0049 RED



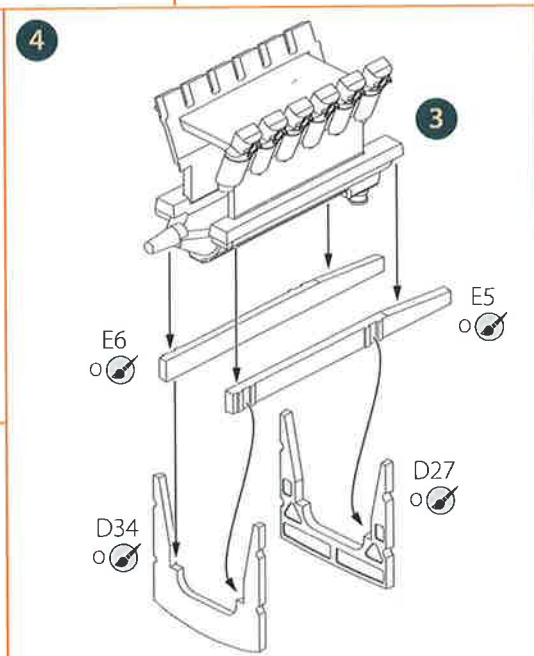
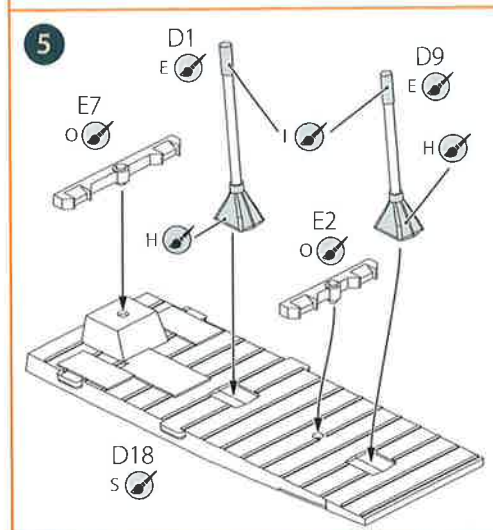
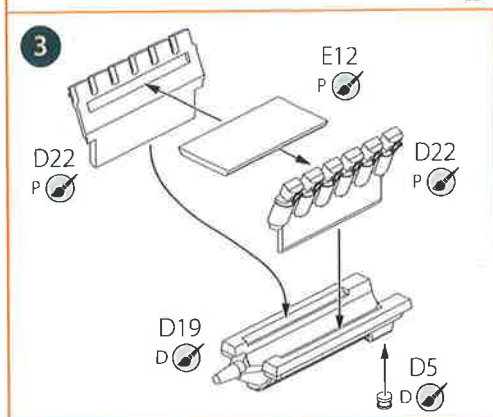
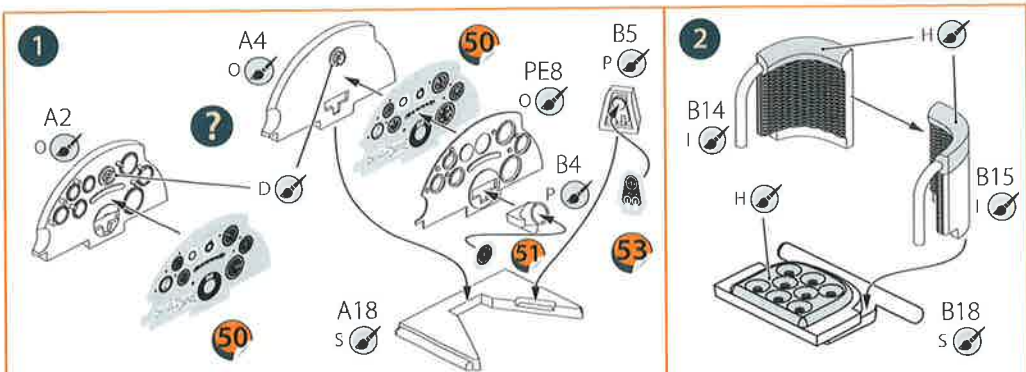
AMMO
by MIG Jimenez

THIS MODEL IS PRODUCED FOR EXPERIENCED MODELERS OVER 14 YEARS

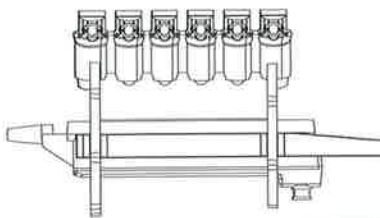




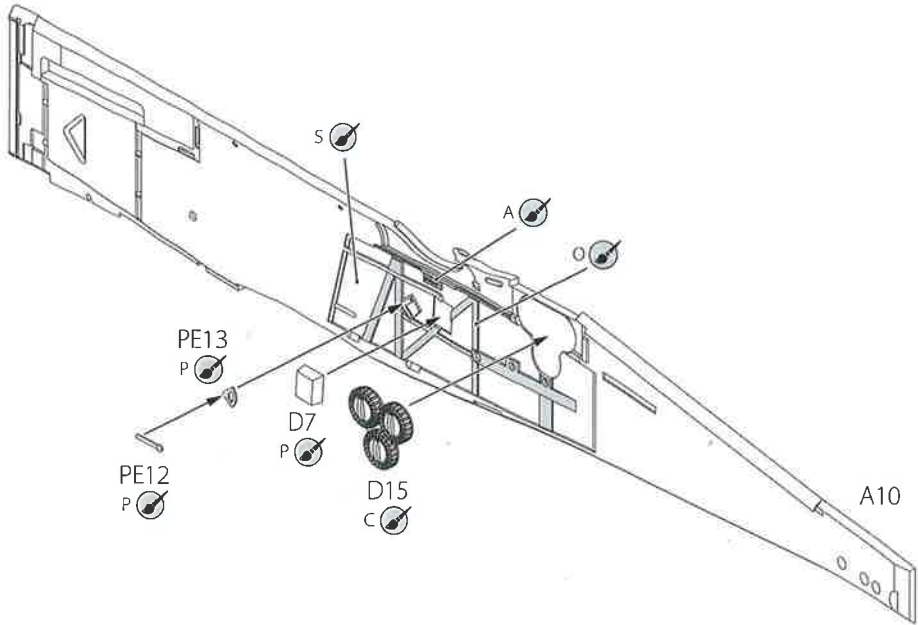
Parts not for use



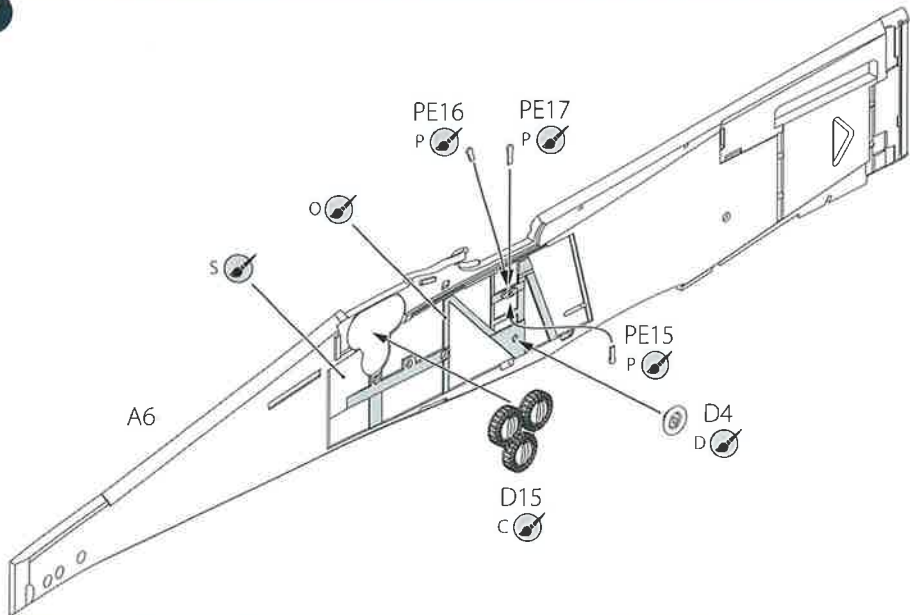
REFERENCE VIEW

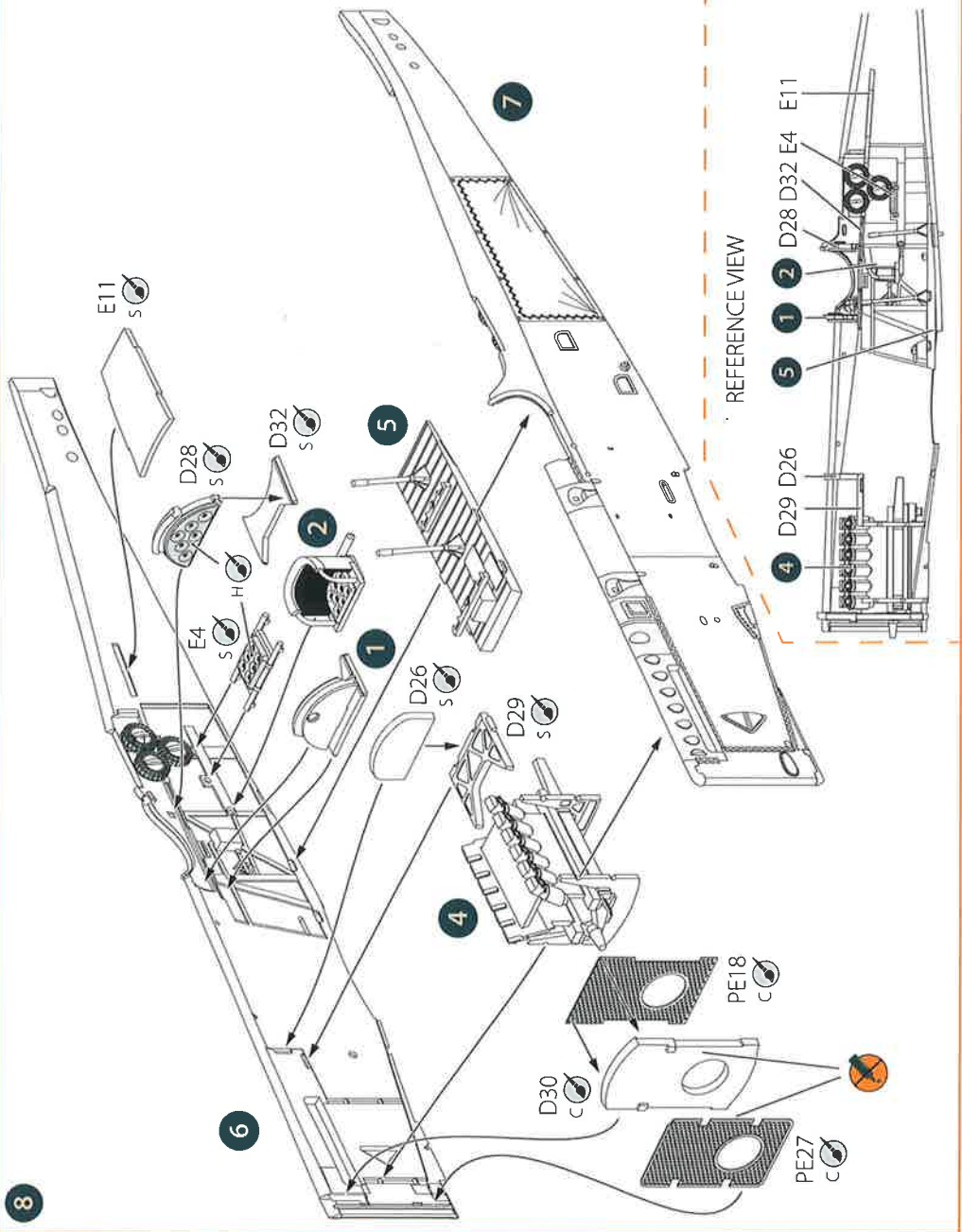


6

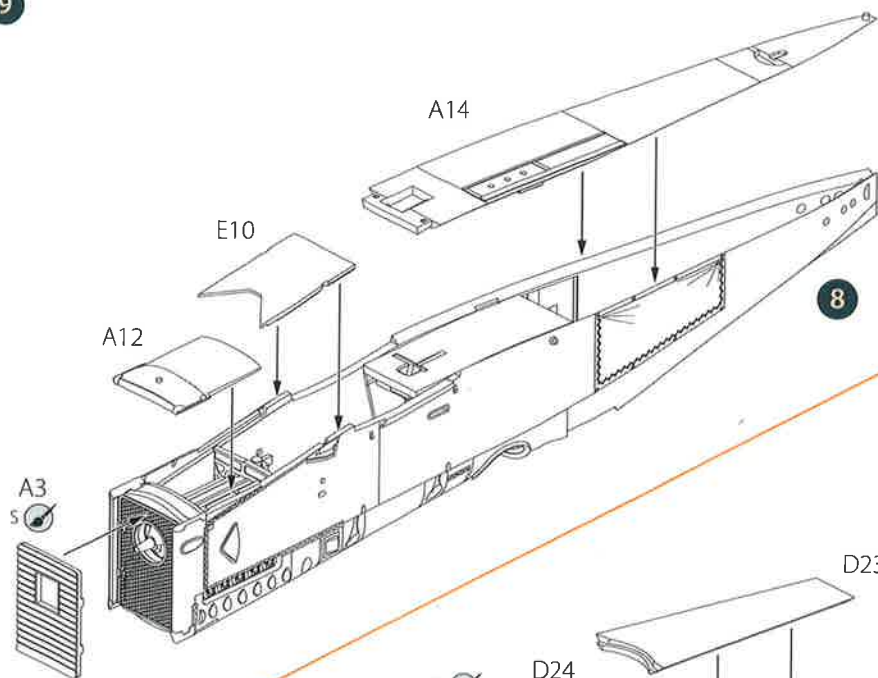


7

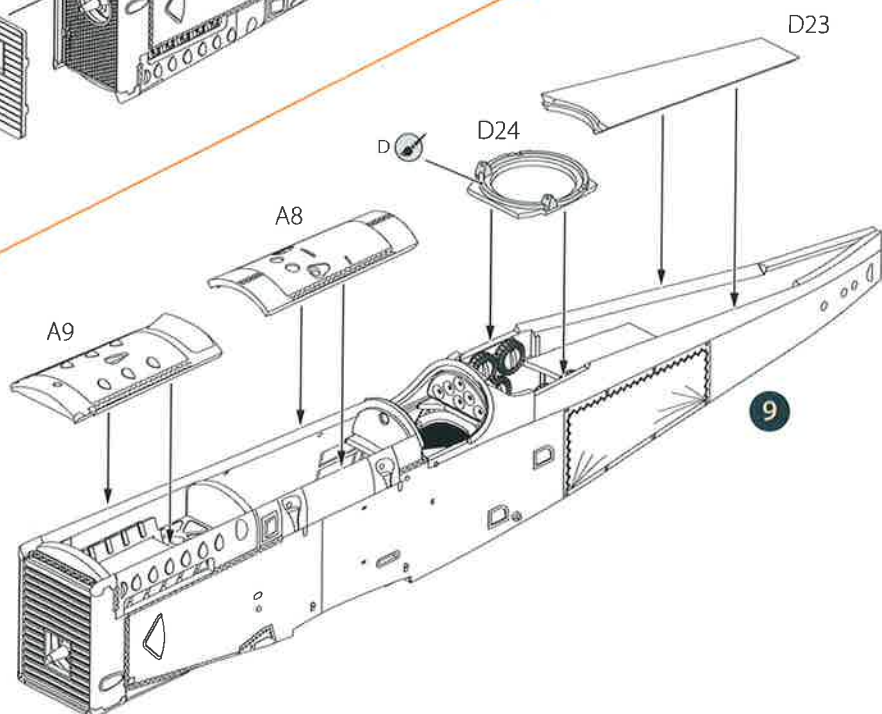




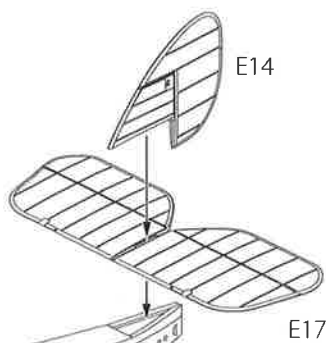
9



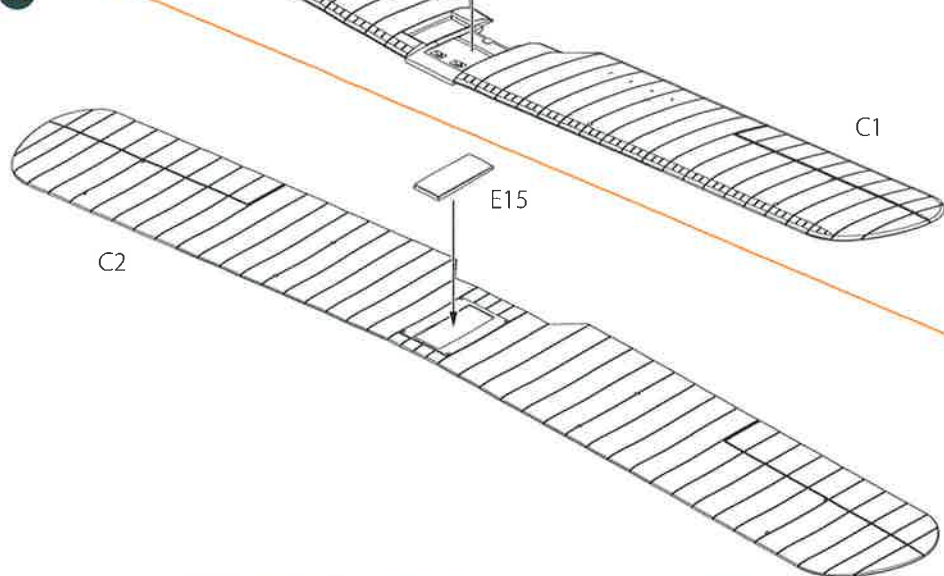
10



11

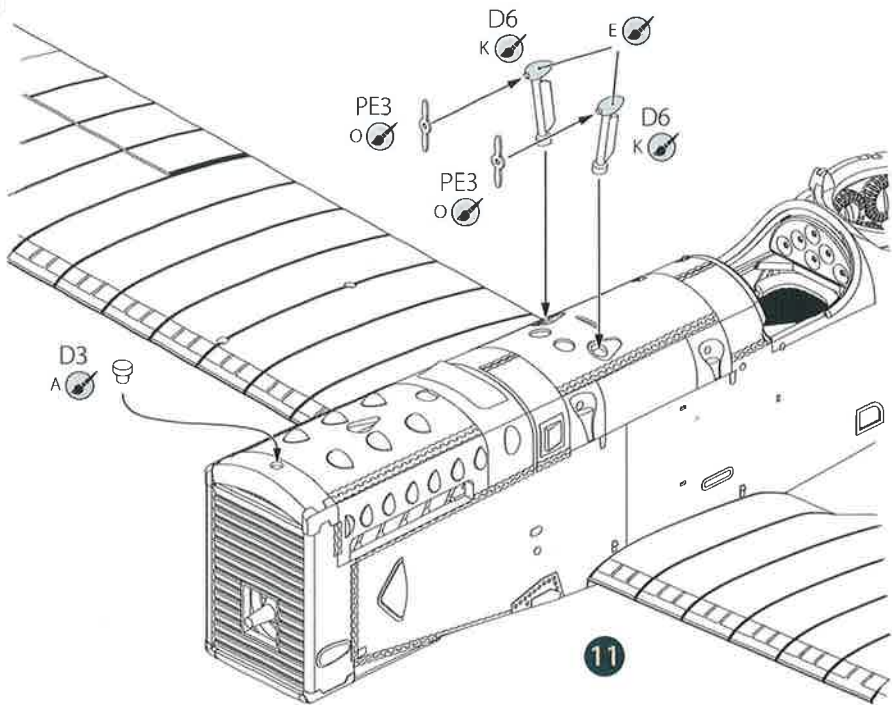


12

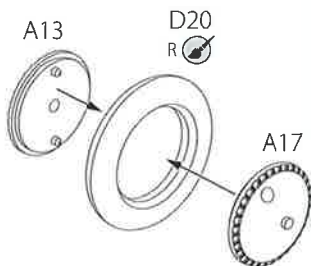




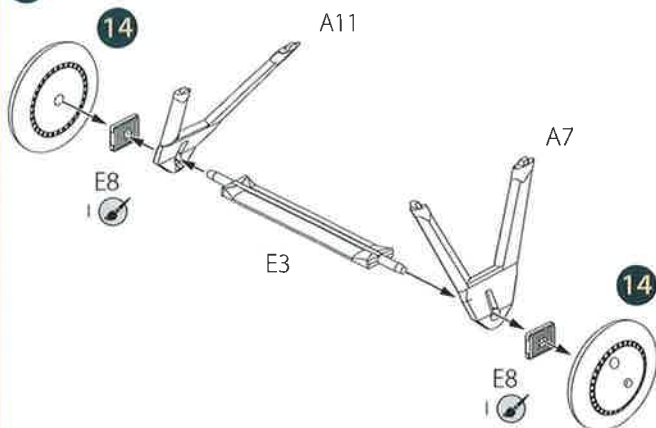
13

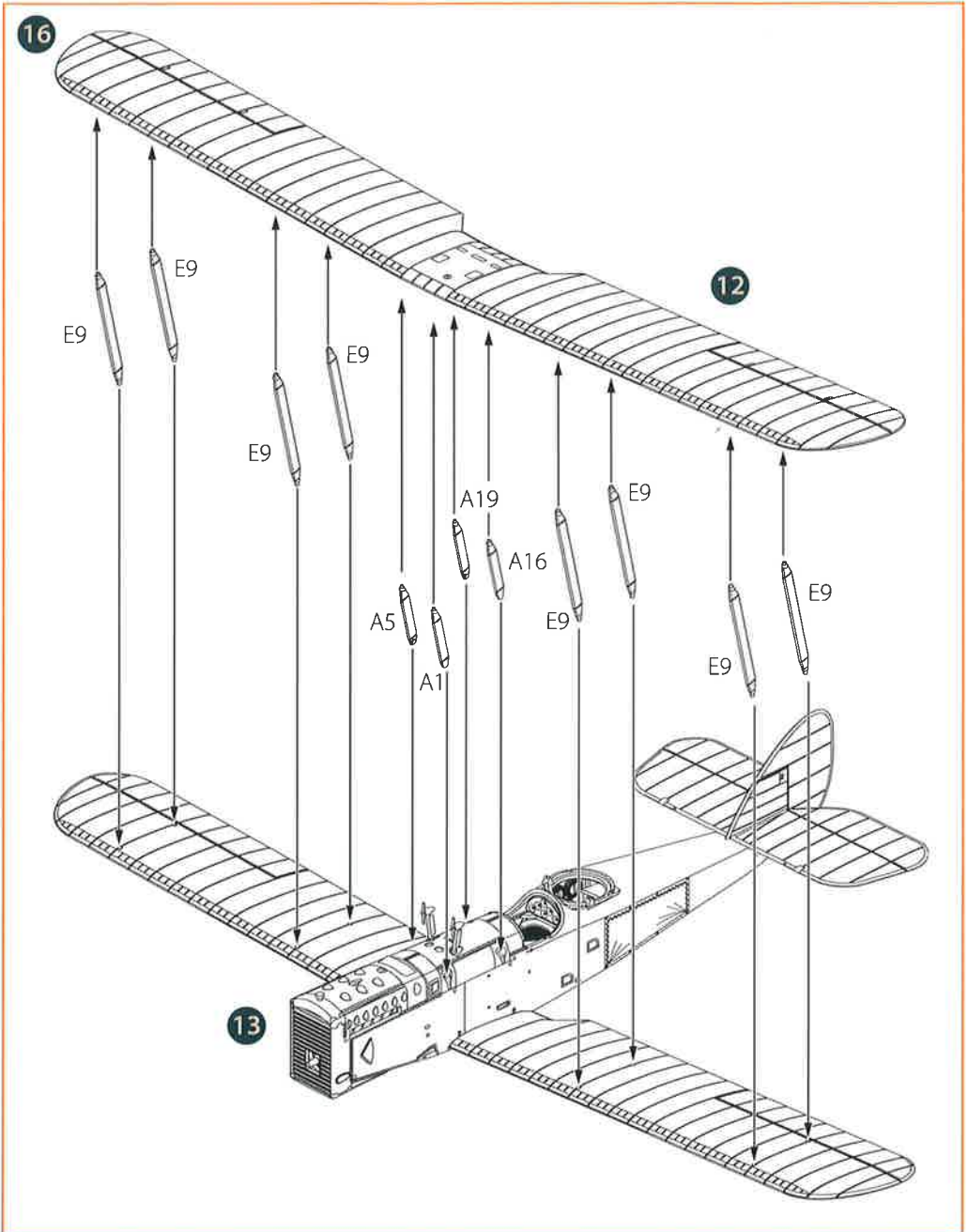


14

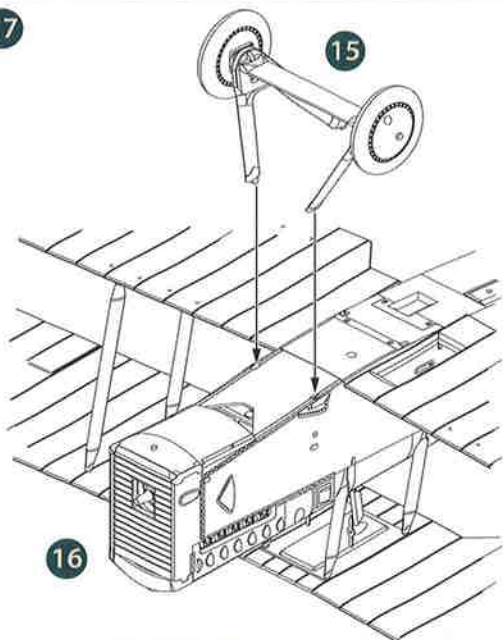


15





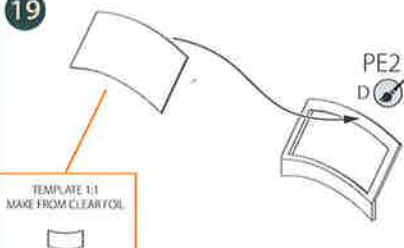
17



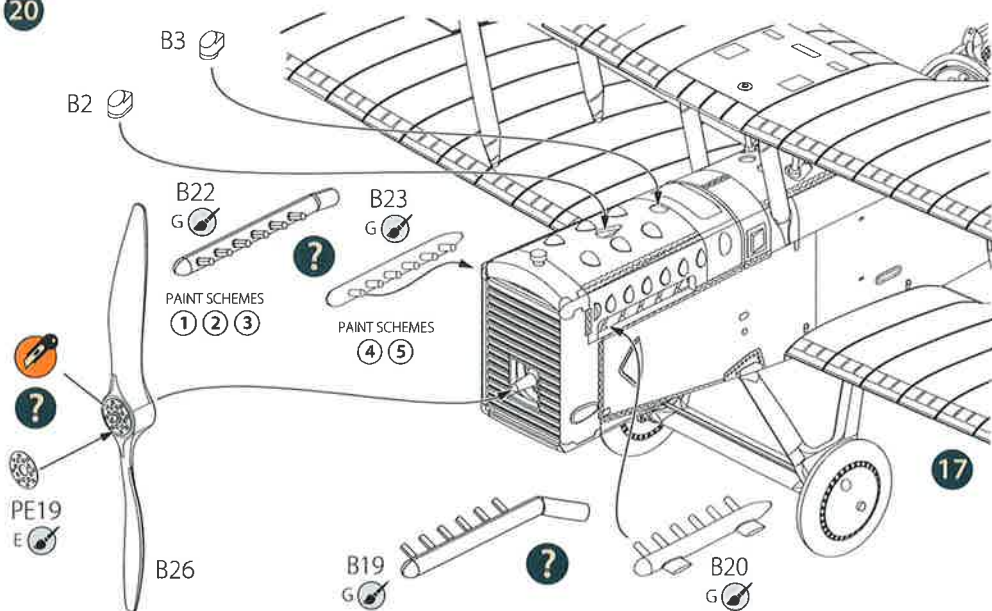
18



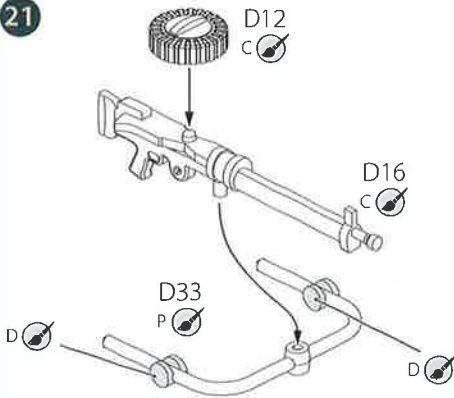
19



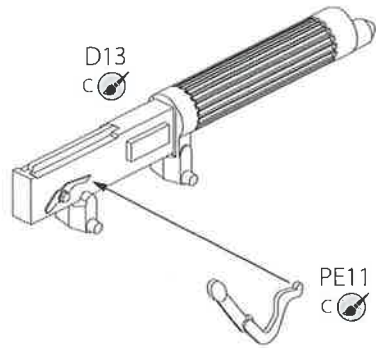
20



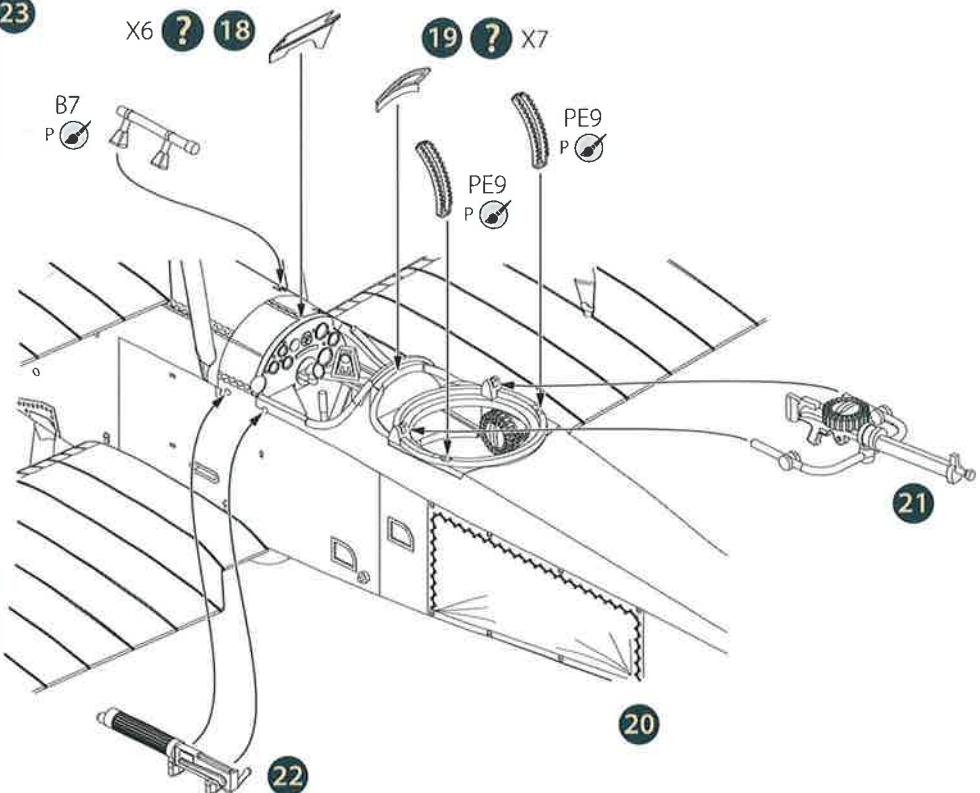
21



22

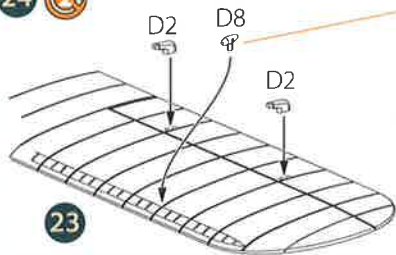


23

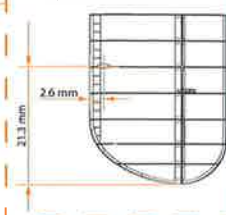




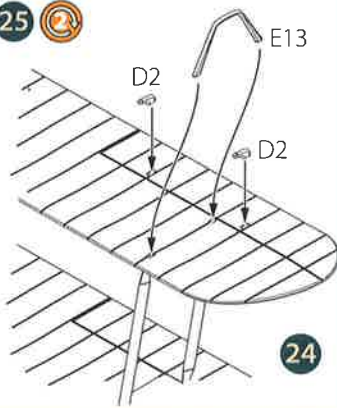
24



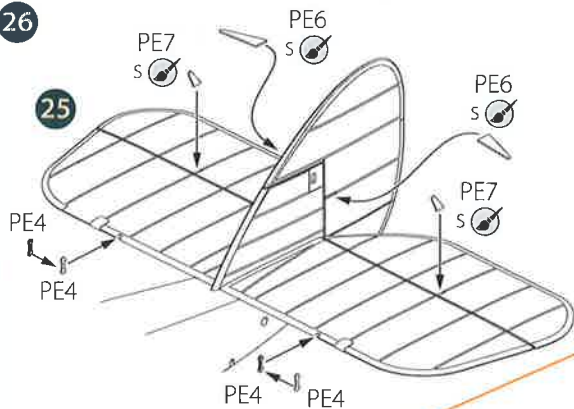
CORRECT POSITION OF NAVIGATION LIGHT



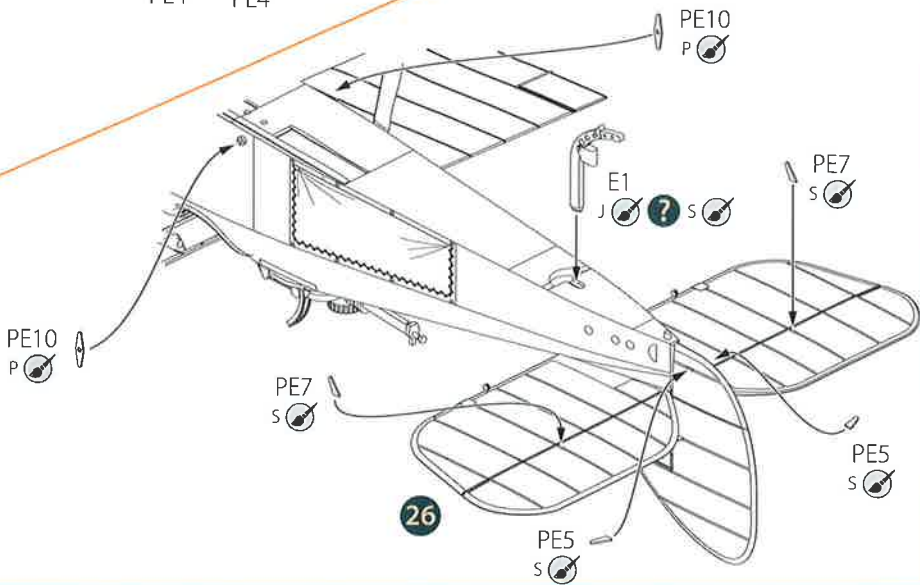
25

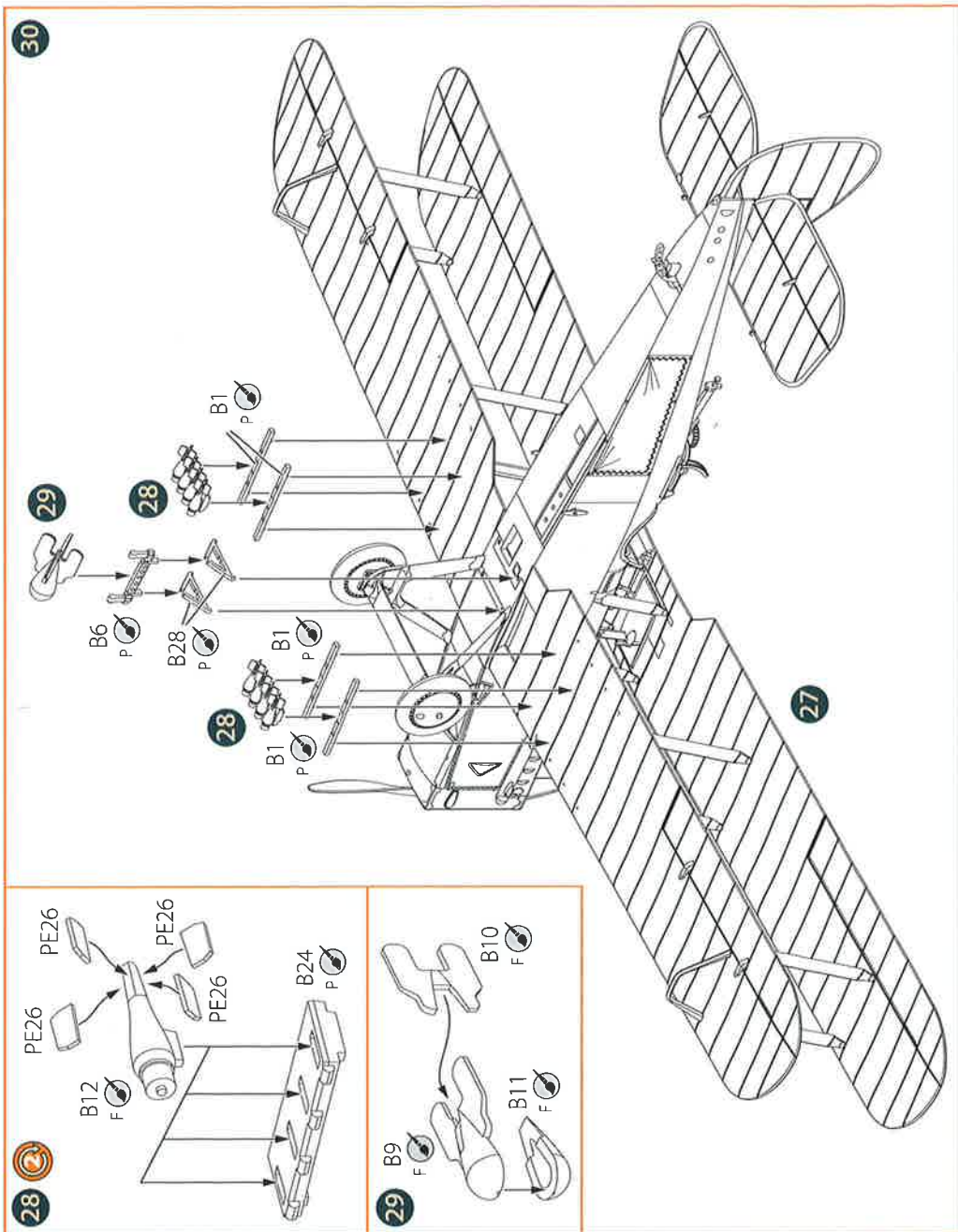


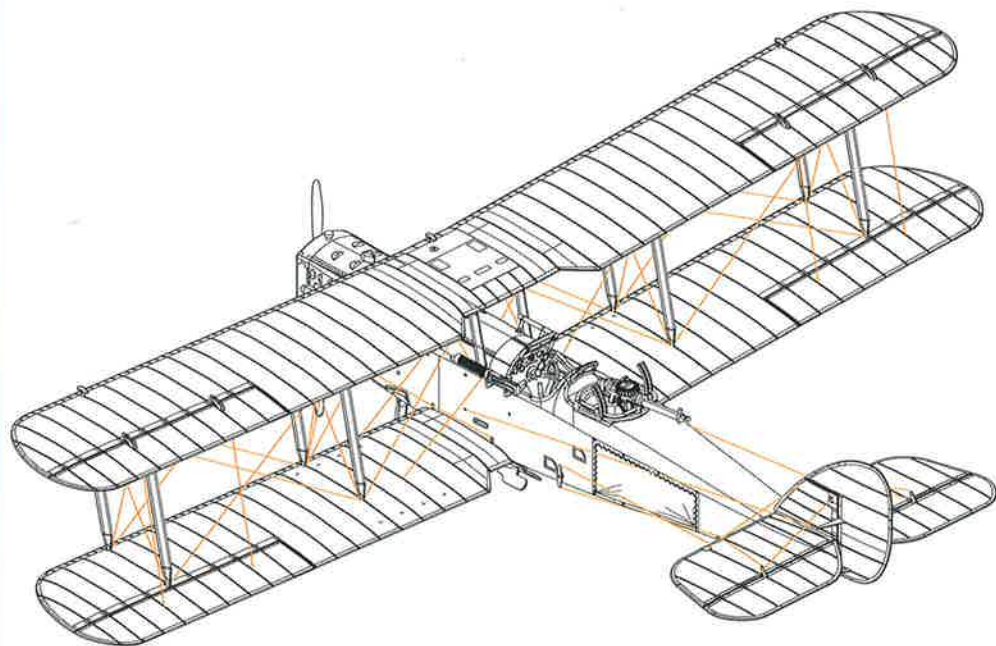
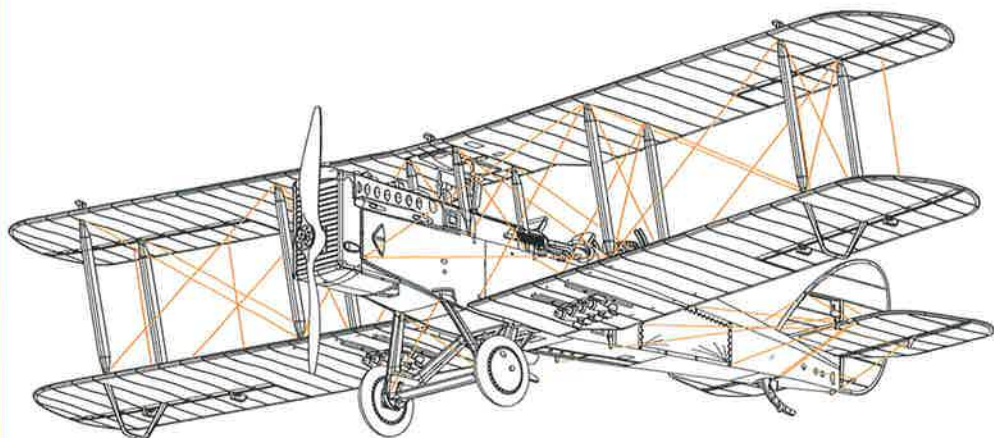
26



27

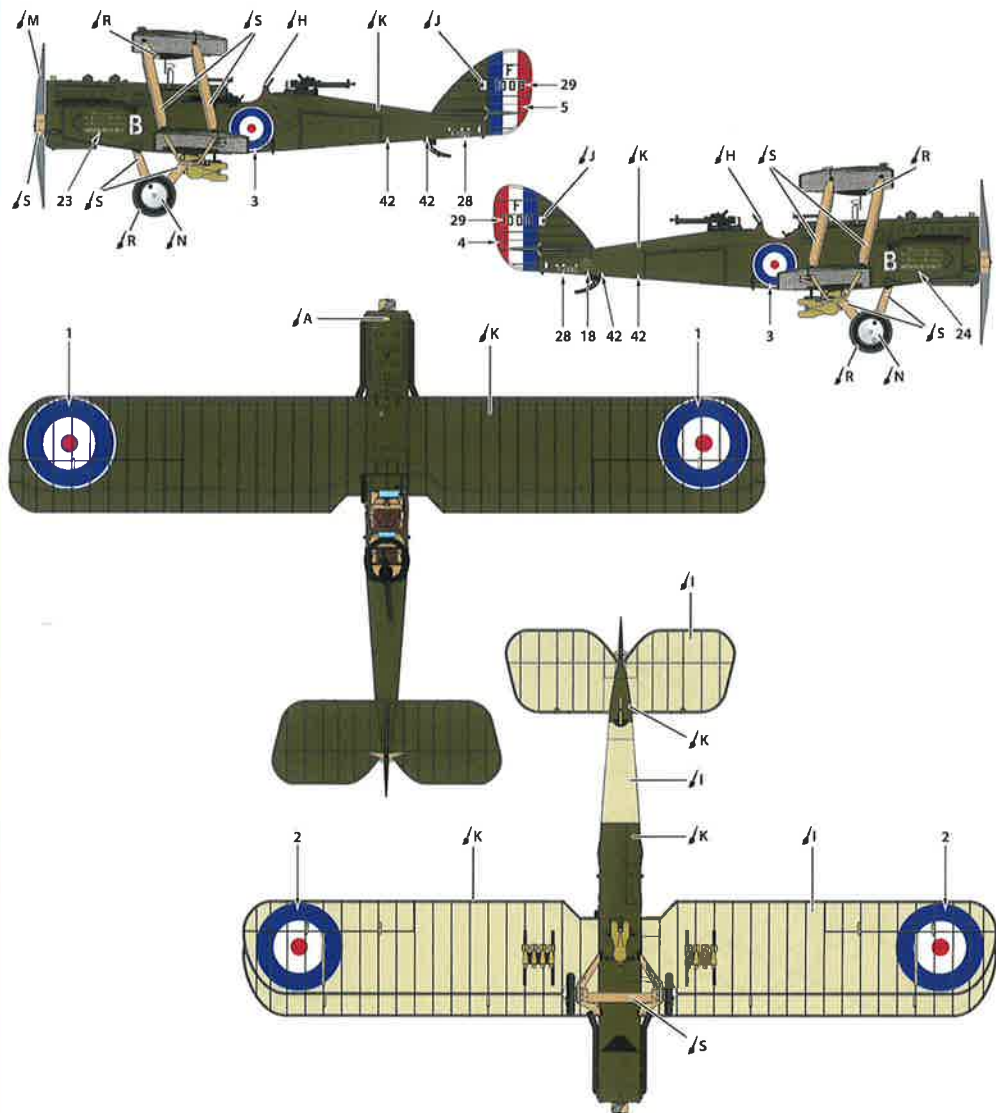






A.MIG-0197 BRASS	A.MIG-0133 LEATHER	A.MIG-0029 DESERT YELLOW	A.MIG-0245 OCEAN GREY	A.MIG-0926 OLIVE DRAB	A.MIG-0246 MEDIUM SEA GREY	A.MIG-0050 WHITE	A.MIG-0032 SATIN BLACK	A.MIG-0033 RUBBER	A.MIG-0038 LIGHT WOOD

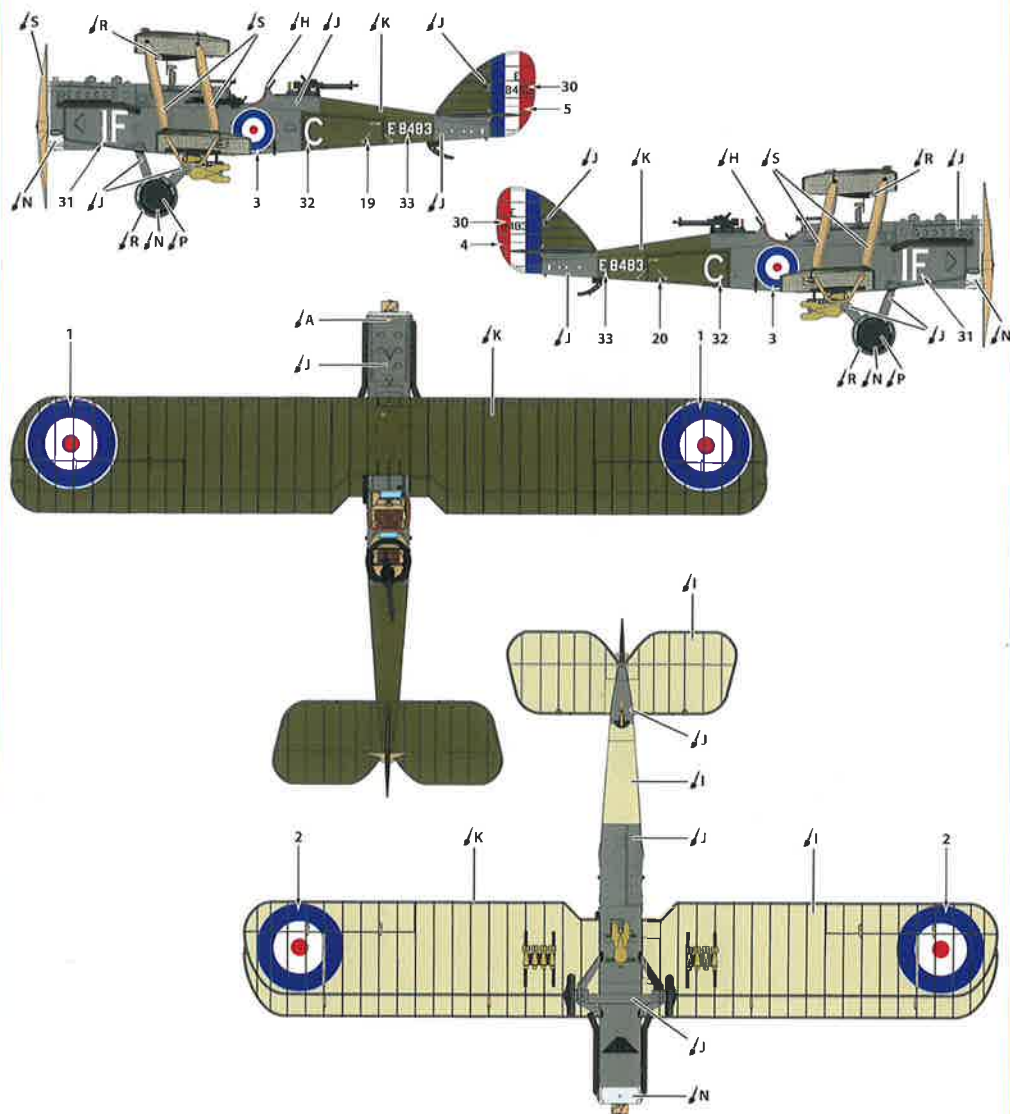
① DH.9a F1000 B «Hyderabad No7», 110 Sqn RAF, France, 31 August 1918





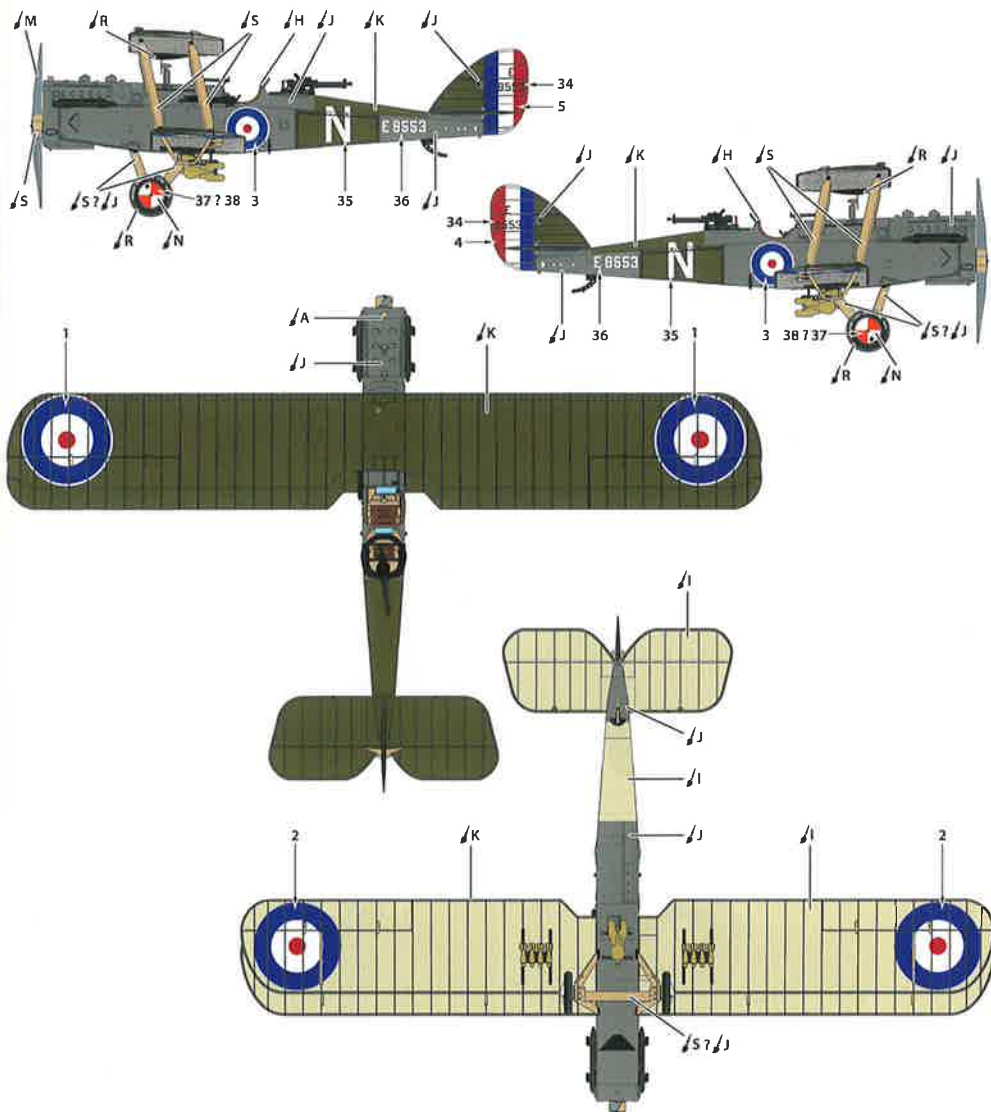
A	H	I	J	K	M	N	P	R	S
A.MIG-0197 BRASS	A.MIG-0133 LEATHER	A.MIG-0029 DESERT YELLOW	A.MIG-0245 OCEAN GREY	A.MIG-0926 OLIVE DRAB	A.MIG-0246 MEDIUM SEA GREY	A.MIG-0050 WHITE	A.MIG-0032 SATIN BLACK	A.MIG-0033 RUBBER	A.MIG-0038 LIGHT WOOD

③ DH.9a E8483, 99 Sqn IAF RAF, France, 21 October 1918



A	H	I	J	K	M	N	P	R	S
A.MIG-0197 BRASS	A.MIG-0133 LEATHER	A.MIG-0029 DESERT YELLOW	A.MIG-0245 OCEAN GREY	A.MIG-0926 OLIVE DRAB	A.MIG-0246 MEDIUM SEA GREY	A.MIG-0050 WHITE	A.MIG-0032 SATIN BLACK	A.MIG-0033 RUBBER	A.MIG-0038 LIGHT WOOD

④ DH.9a E8553, 155 Sqn RAF, Hendon, GB, October 1918





VISIT OUR SITE FOR MORE SCALE MODEL KITS

clearpropmodels.com



sales@clearpropmodels.com



www.fb.com/Clearpropmodels