



Swedish CV90-40 IFV

スウェーデン陸軍 CV90-40 歩兵戦闘車

瑞典CV90-40步兵战车

PLEASE READ BEFORE OPERATION!

- * Tools recommended as below: (Not included)
Adhesives; Paints; Side Cutters; Sharp Edged Pliers; Modeling Knife; Modeling File; Nippers; Drill; Scissors; Sand Paper; Soft Cloth; Cyanoacrylate Glue.
- * Make sure to read this instruction listed below before assembling.
- * The kit contains the small parts, they can be dangerous if swallowed by mistake, so keep them away from reach of children.
- * Cut the all parts off carefully and remove the waste parts into the garbage can.
- * More caution and care should be needed for cutting and handling the photo etched parts.
- * Make attention that some parts should be attached the decal when assembled.
- * During assembling, please tear up and throw away the plastic bags, or may cause the dangerous if wearing over head by children's mistake.
- * When using the adhesives and paints, please do not use them in the closed room or near the fire, also must be very careful to protect your eyes, face and clothes.
- * Adult supervised when assembled by children under 14 years old.

装配前请仔细阅读:

- * 推荐使用的模型工具(请自备):
专用模型胶水, 专用模型油漆, 水口剪刀, 长咀钳, 刀片, 锉刀, 镊子钳, 钻, 剪刀, 软布, 砂纸, 瞬间快干胶等。
- * 用水口剪刀或刀片小心切下所有塑胶零件和蚀刻片零件, 不要遗失小零件。
- * 切取蚀刻片时应特别注意防止利边划伤手指。
- * 用模型锉刀小心锉平所有零件表面的注射浇口。
- * 用适量的强力快干胶水粘合蚀刻片零件和金属轴, 切忌过量, 否则可能导致可动零件被粘住。
- * 注意某些零件表面需在装配时同步贴水上贴纸。
- * 制作时应远离幼儿并将包装袋及时收妥, 谨防小孩玩耍而引起意外。



using ca super glue
使用强力胶



weight
配重



make hole
钻孔



cut / remove
切除



option
选择



no cement
不涂胶水



decal
贴纸



bend
弯曲



repair
填补

The method to apply the decals

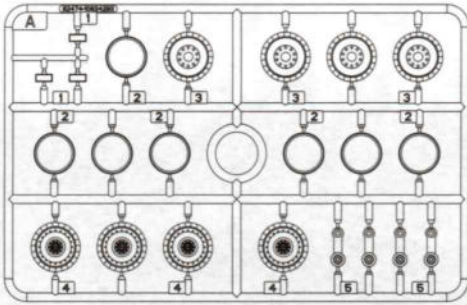
1. Cut off the decal from the decal paper and put it into the warm water 40°C for 10 seconds.
2. Take the decal from the water and put it on a piece of clean cloth.
3. Remove the decal slowly from the paper to the targeted location by a wet finger.
4. Use a piece of dry and soft cloth to press it gently on the decal until it getting dry and no bubble existing.

水贴纸的使用方法:

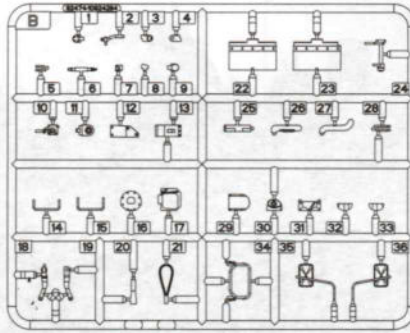
- 一. 把相关的印花从水贴上剪下, 放入40°C左右的温水中浸10秒。
- 二. 然后将印花放在干净的布上。
- 三. 拿上印花纸板, 手指蘸水将印花移到适当的位置。
- 四. 用软干布轻压印花直至水干, 气泡消失。

部品图 Part

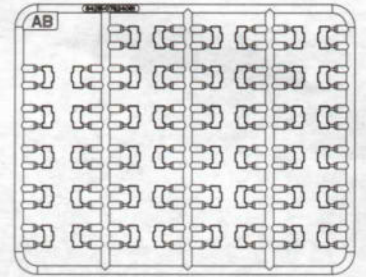
A×4



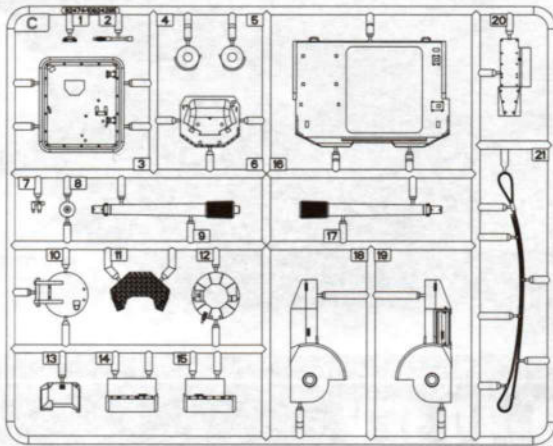
B×1



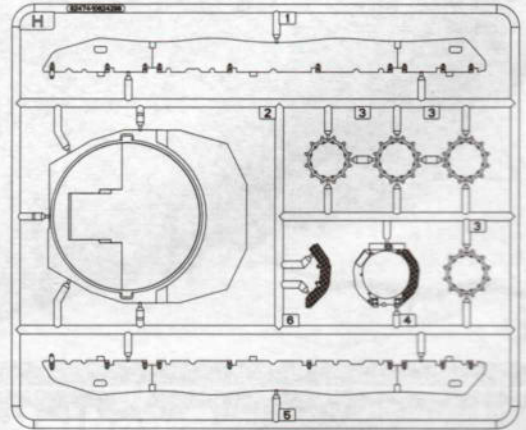
AB×4



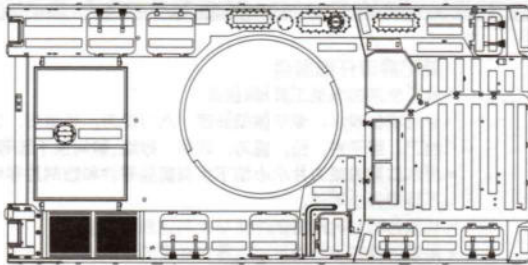
C×1



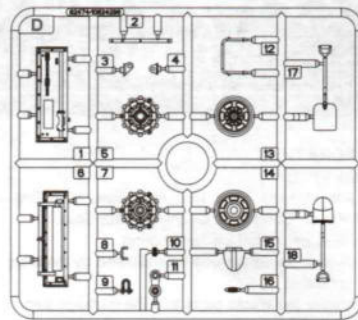
H×1



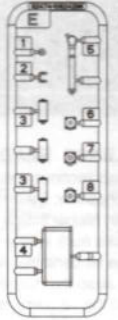
车面
Upper hull



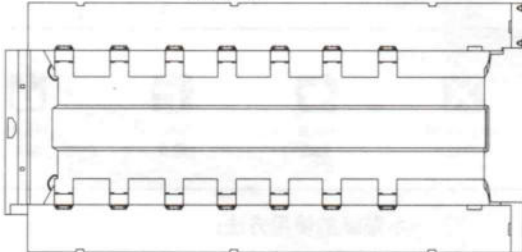
D×2



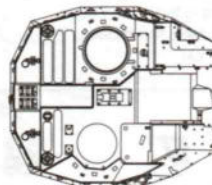
E×2



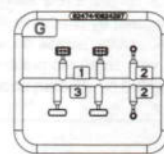
车底
Lower hull



炮塔
Turret



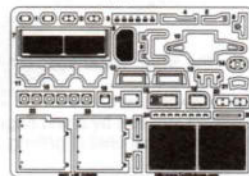
G×1



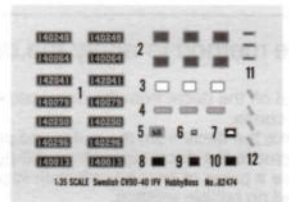
履带X90
Track



蚀刻片
PE

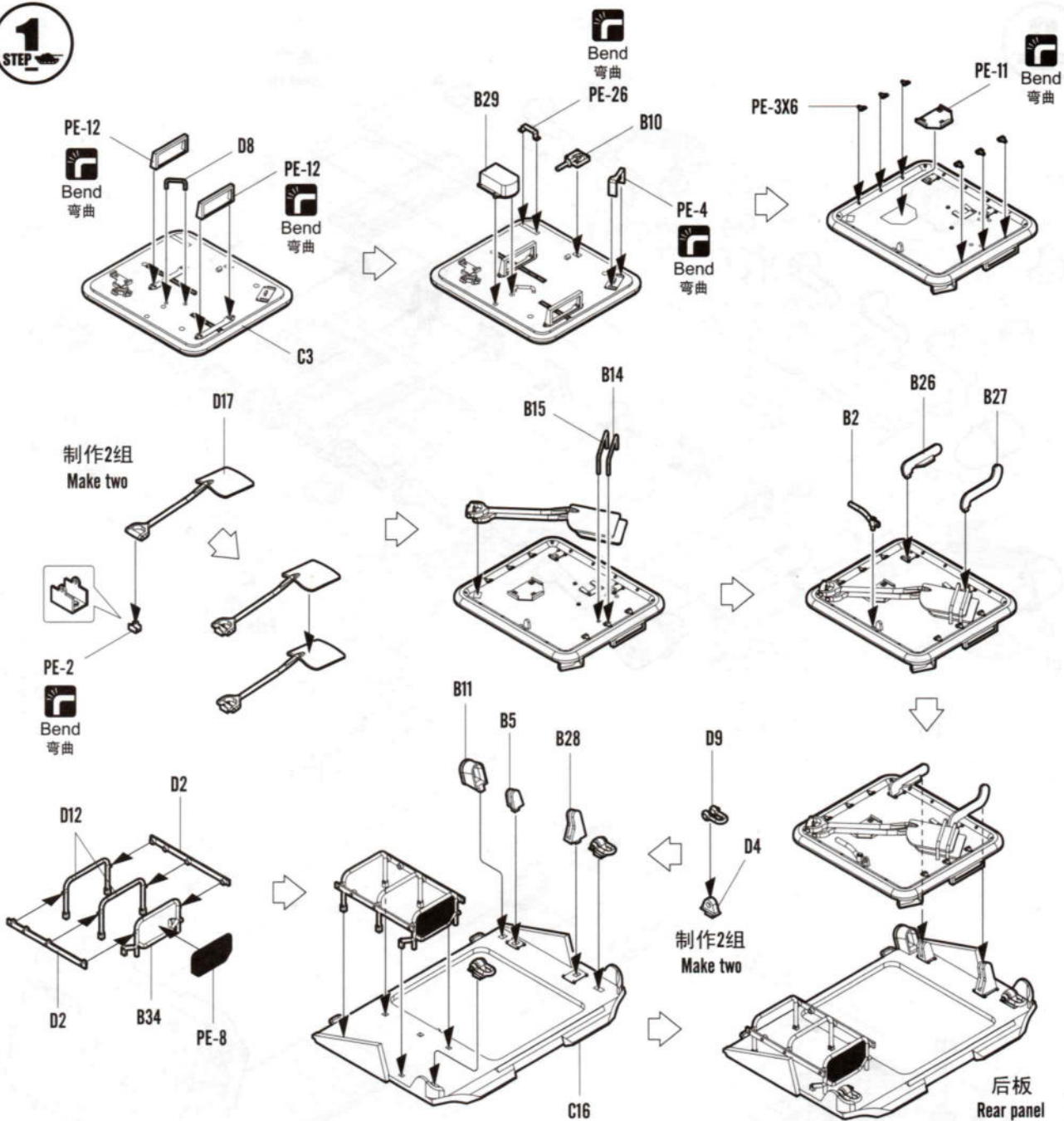


水贴
Decal

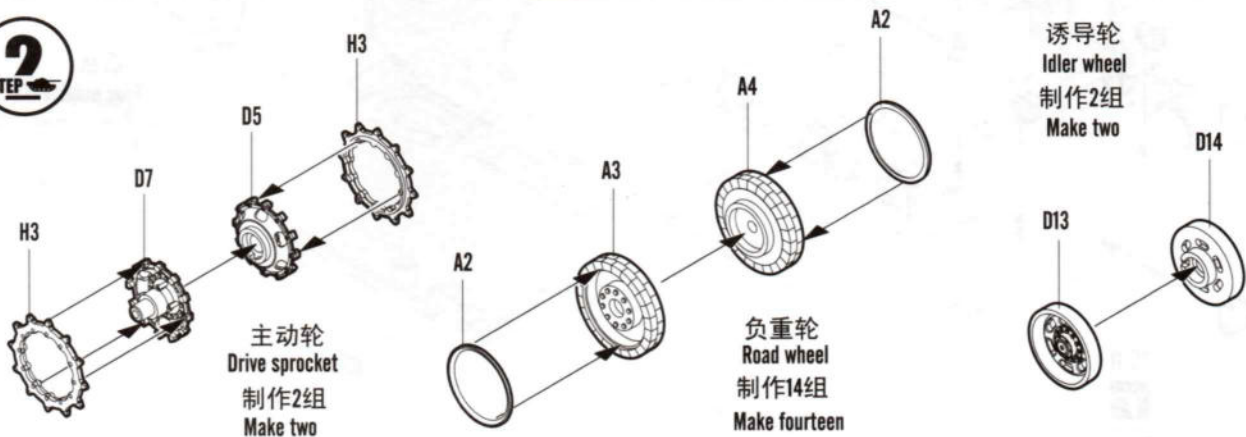


不用部品: PE-15、PE-16、PE-17、PE-22
Unused parts

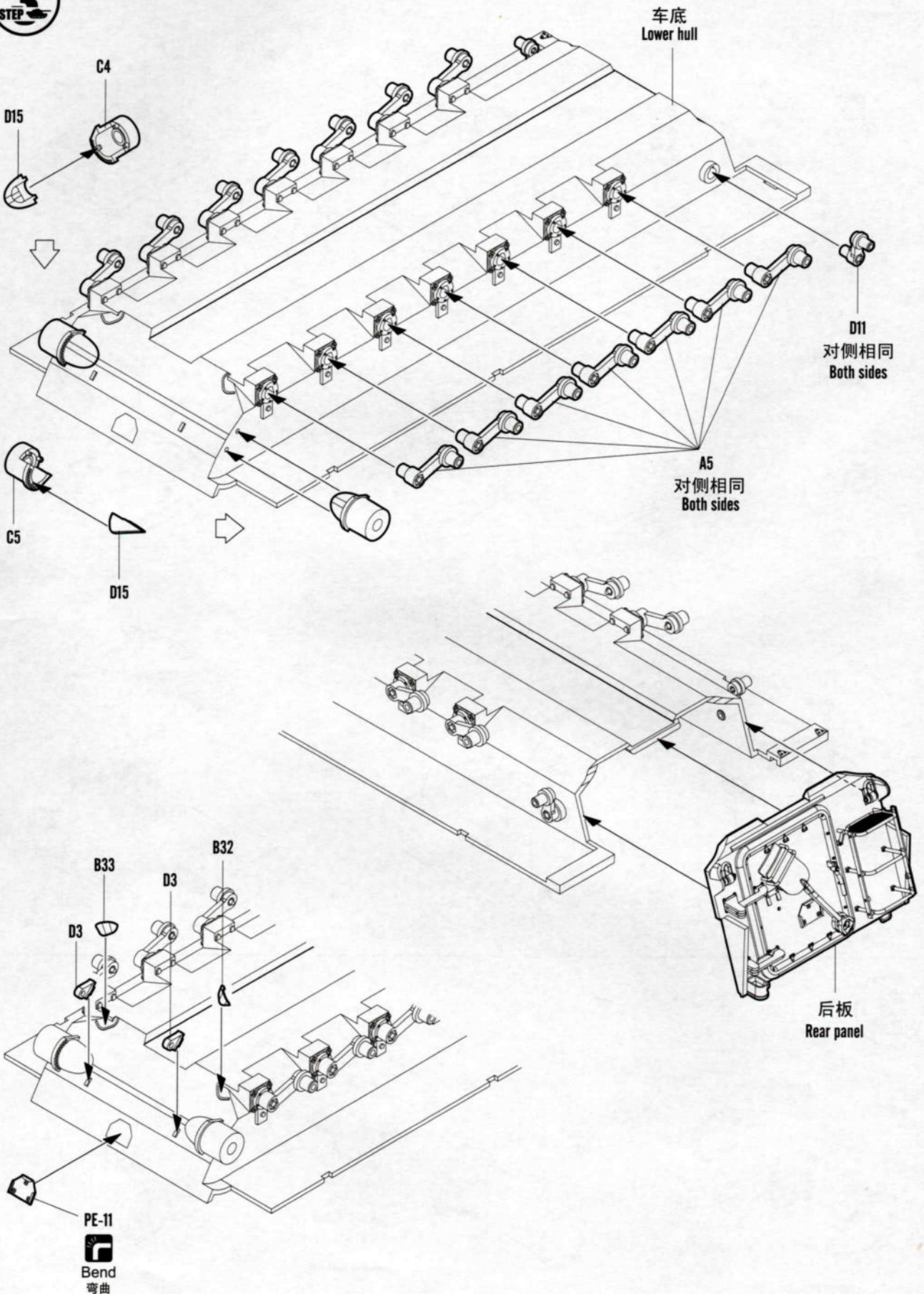
1
STEP

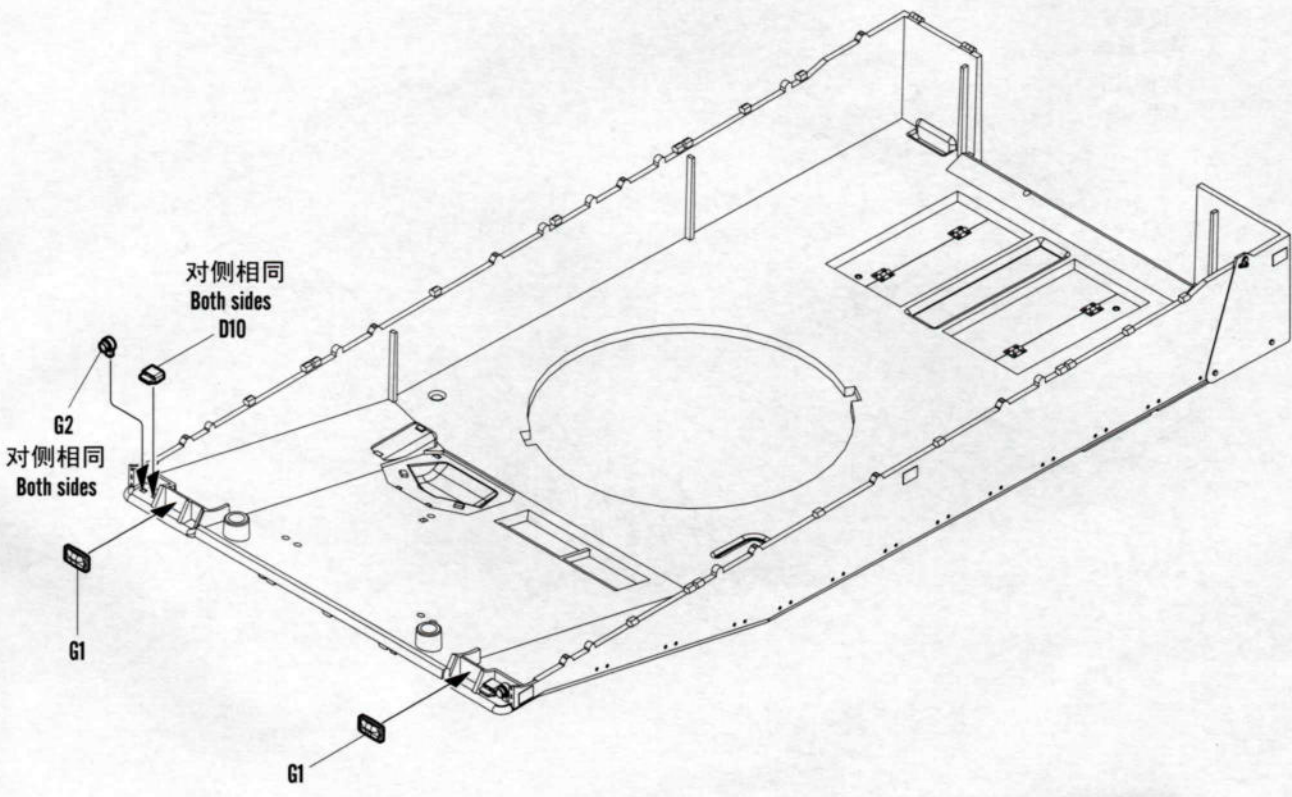
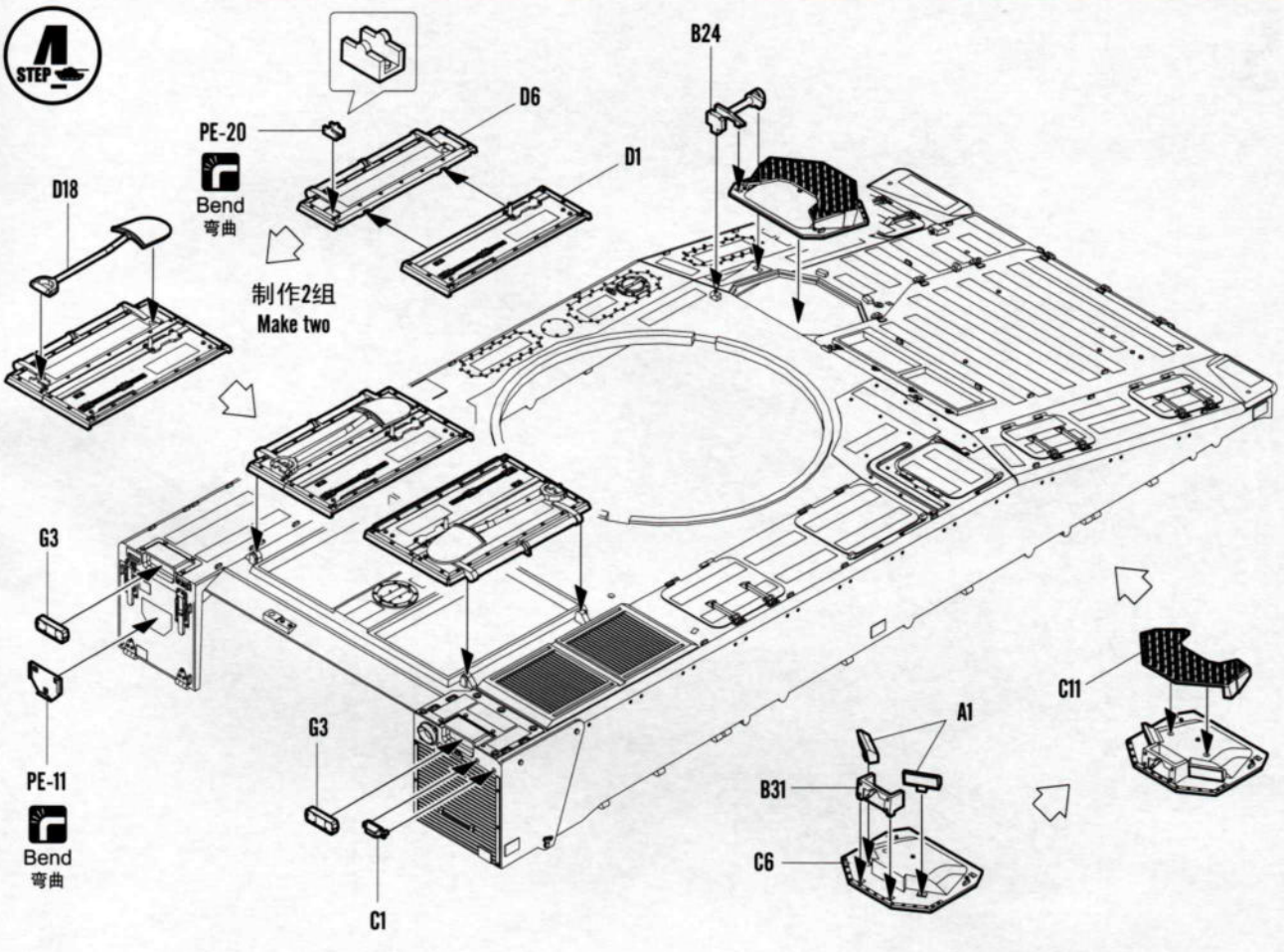


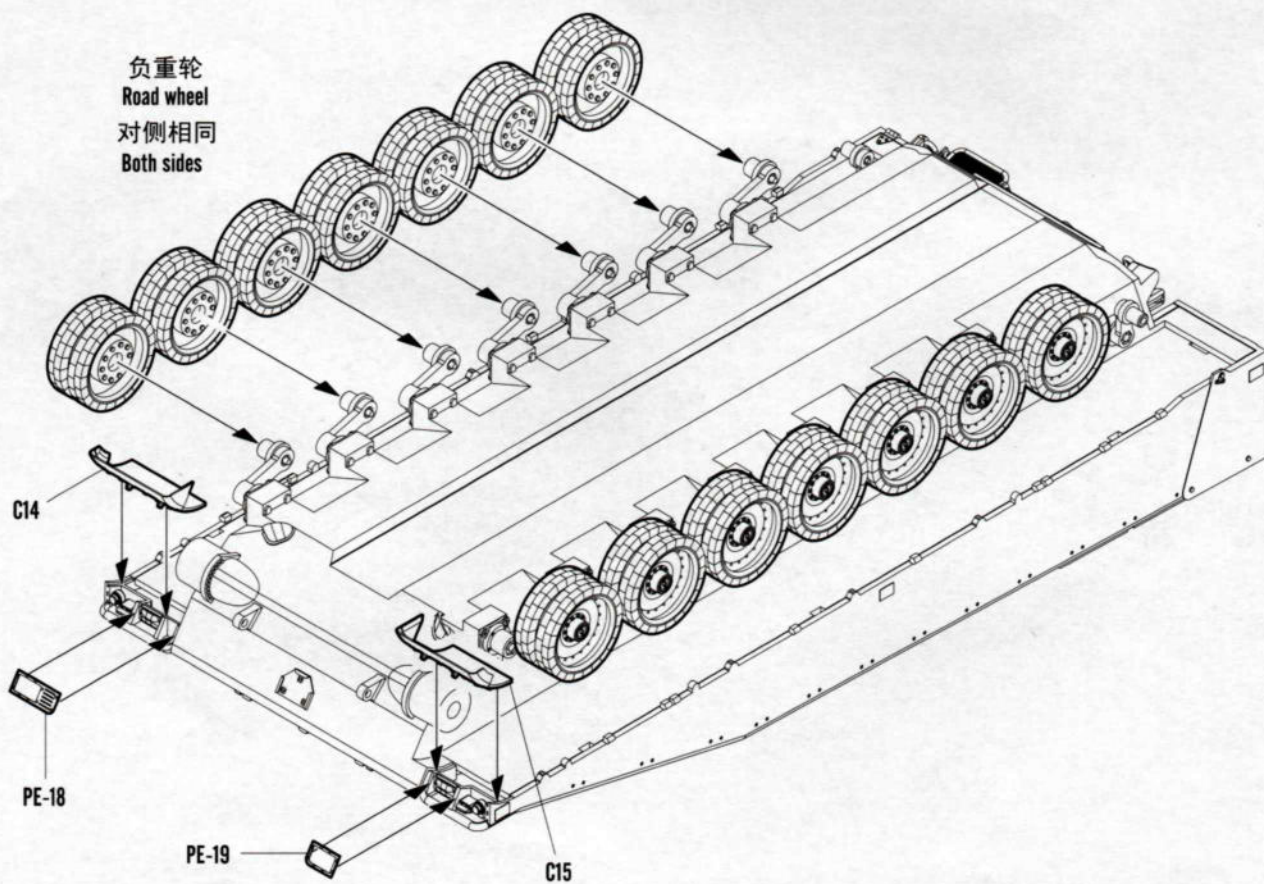
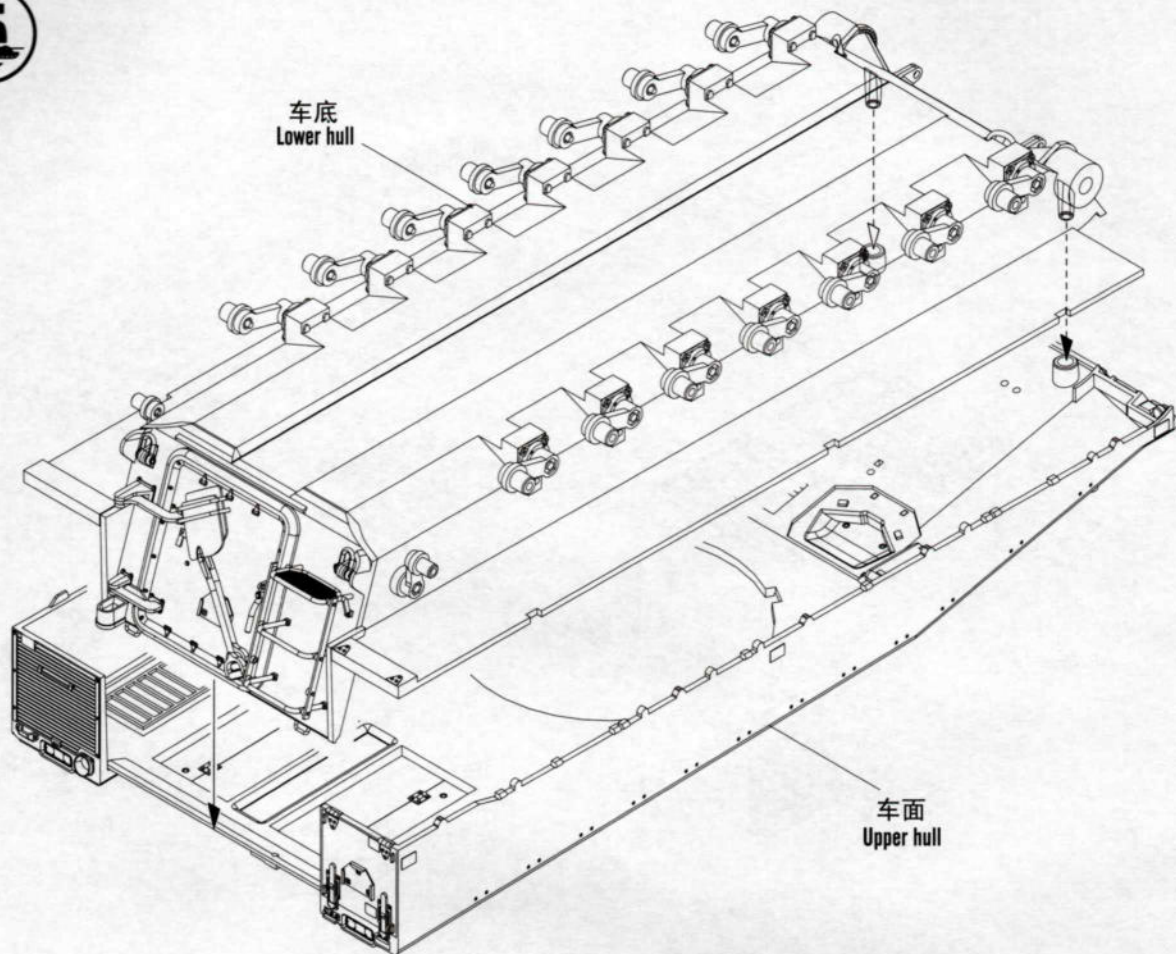
2
STEP

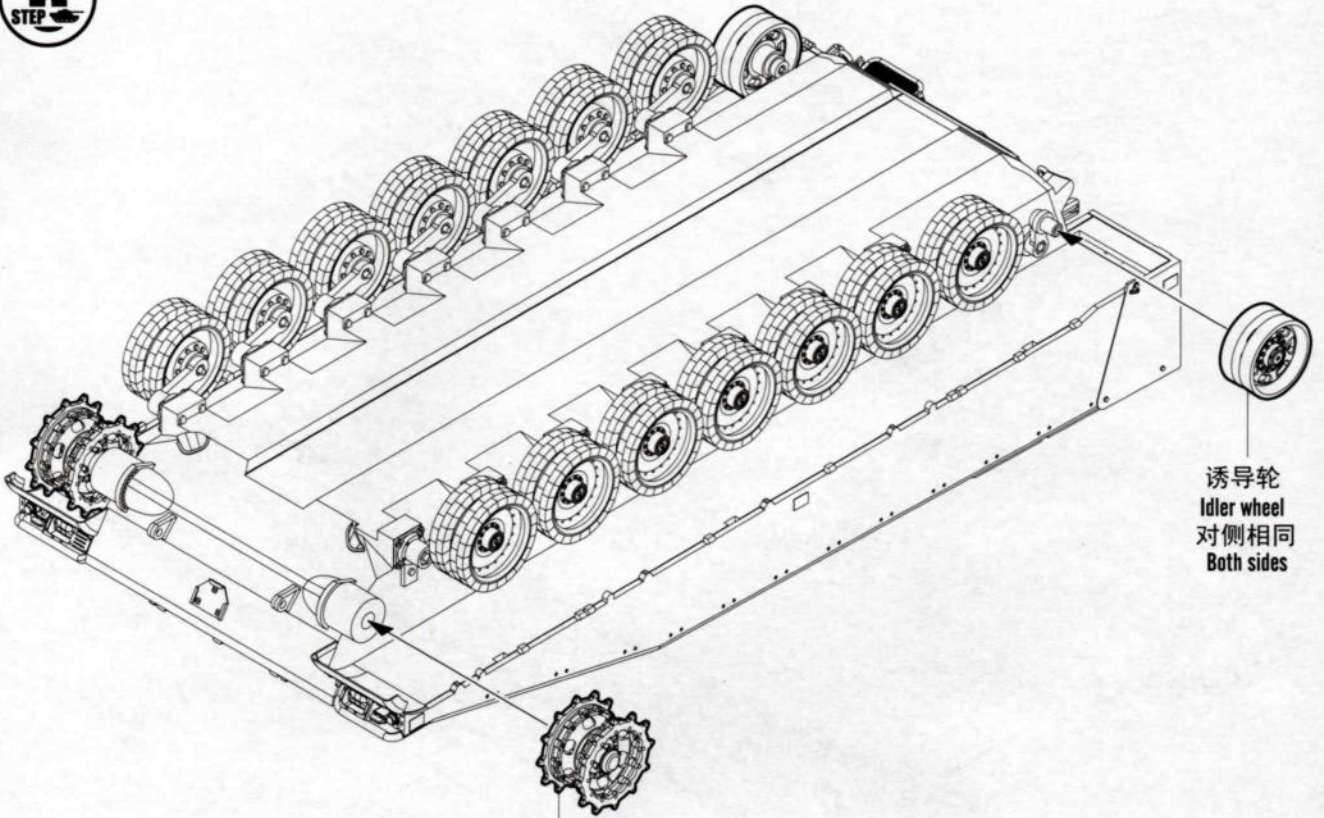


3
STEP



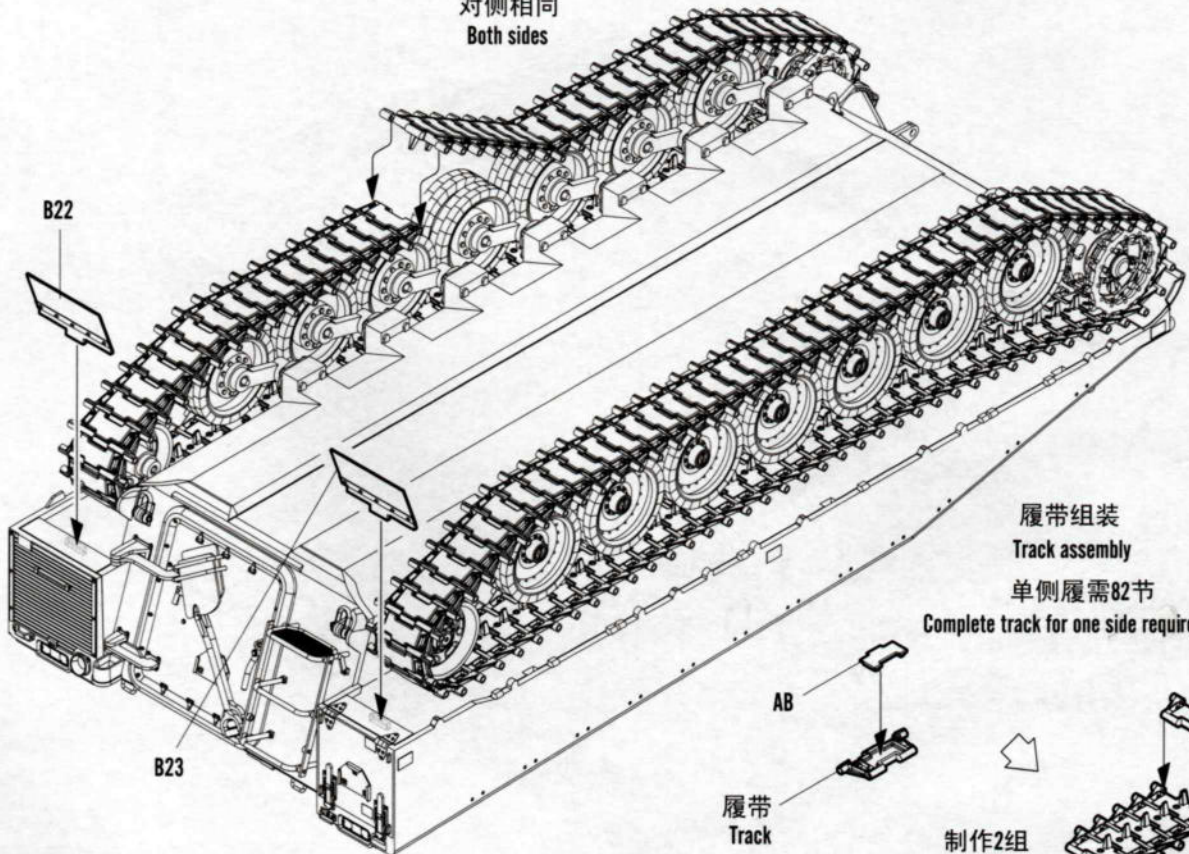






诱导轮
Idler wheel
对侧相同
Both sides

主动轮
Drive sprocket
对侧相同
Both sides

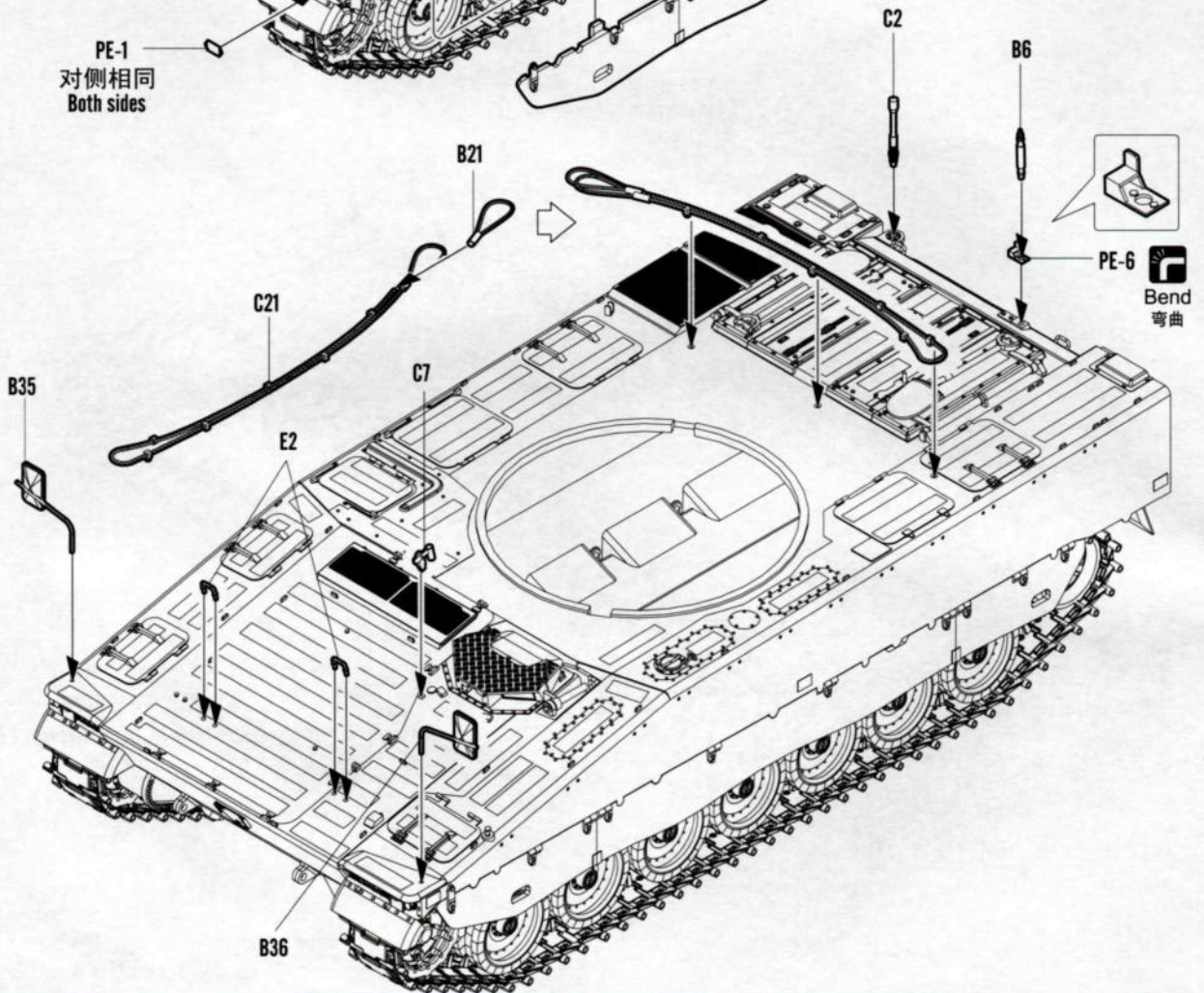
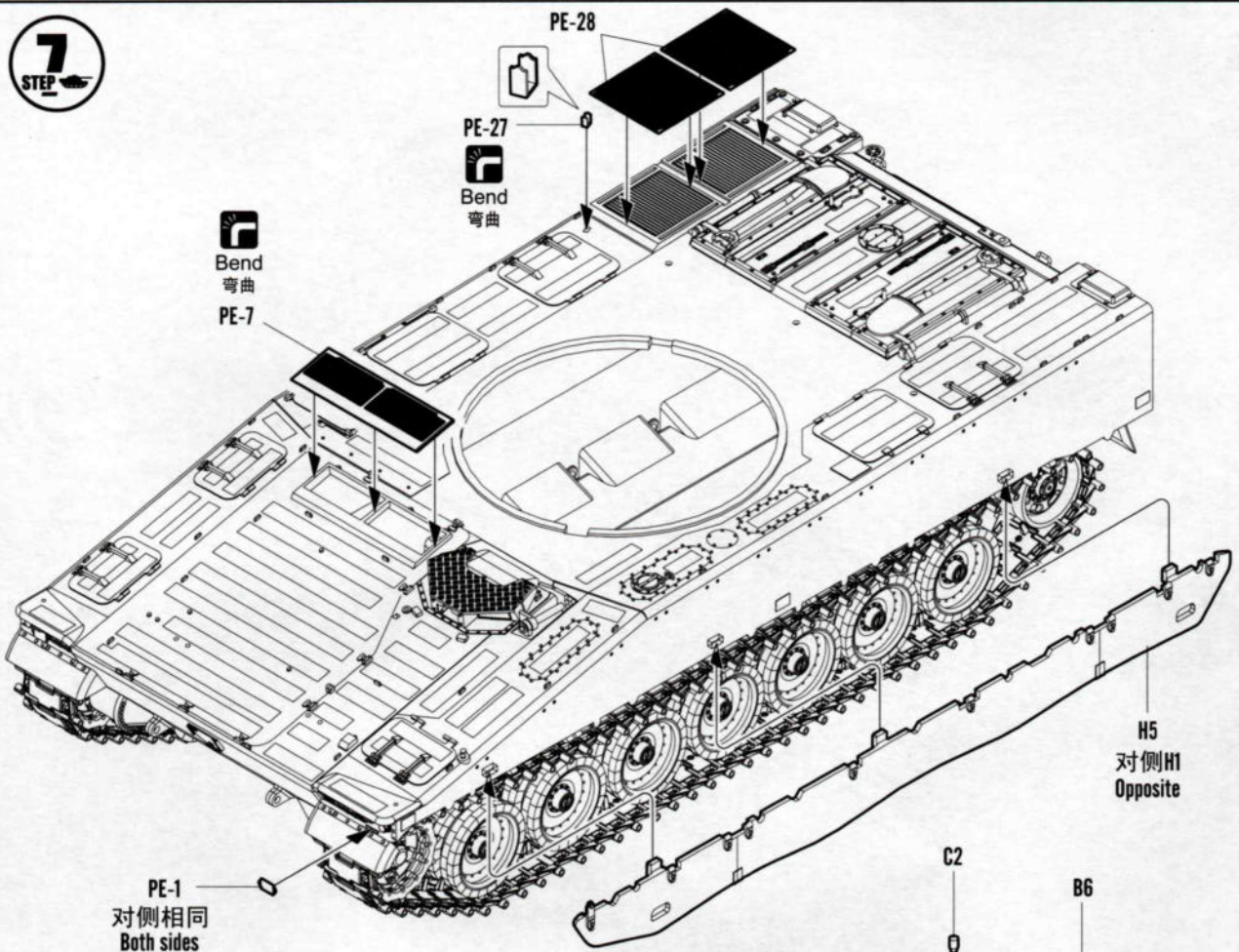


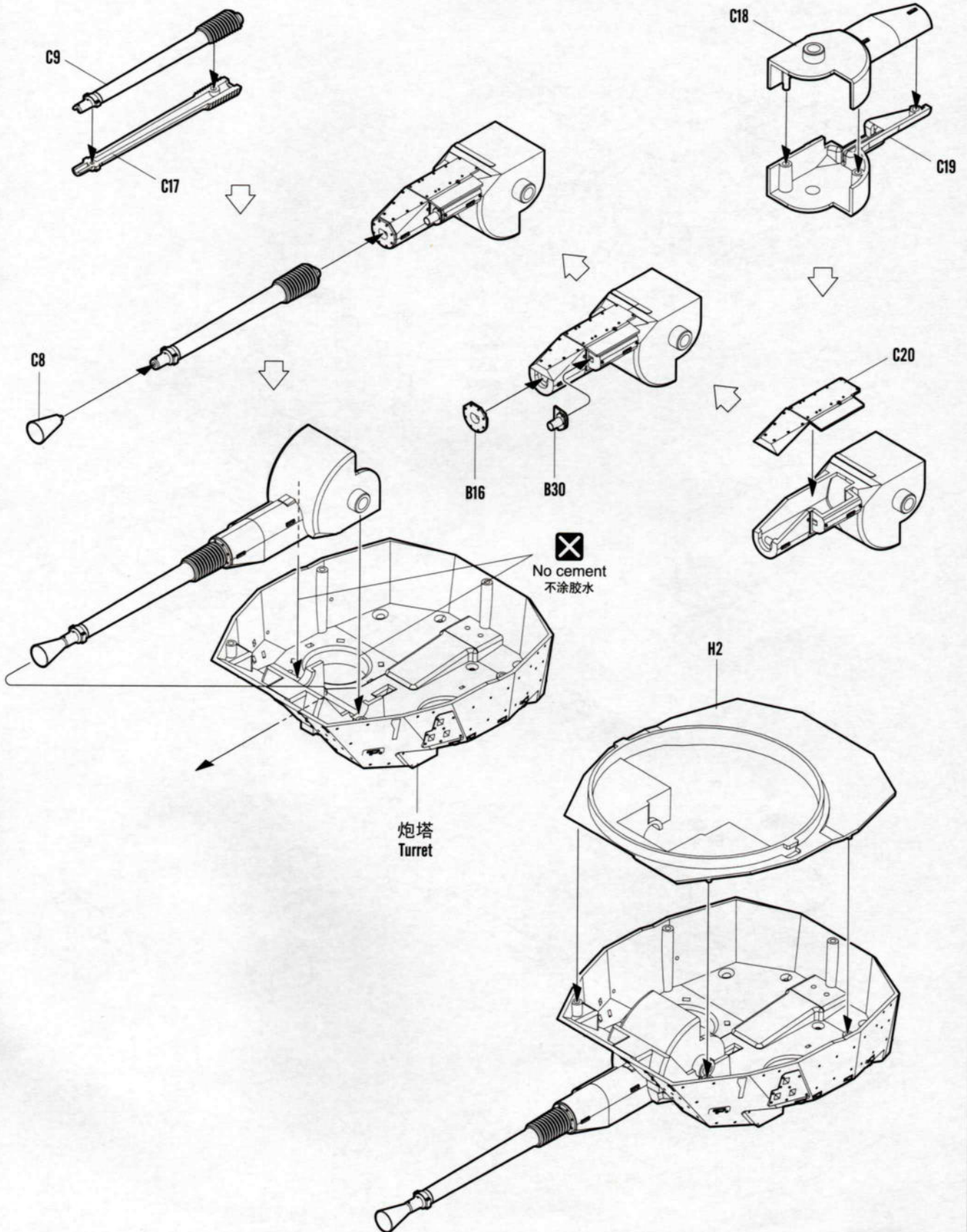
履带组装
Track assembly
单侧履带需82节
Complete track for one side require 82 links

履带
Track

制作2组
Make two

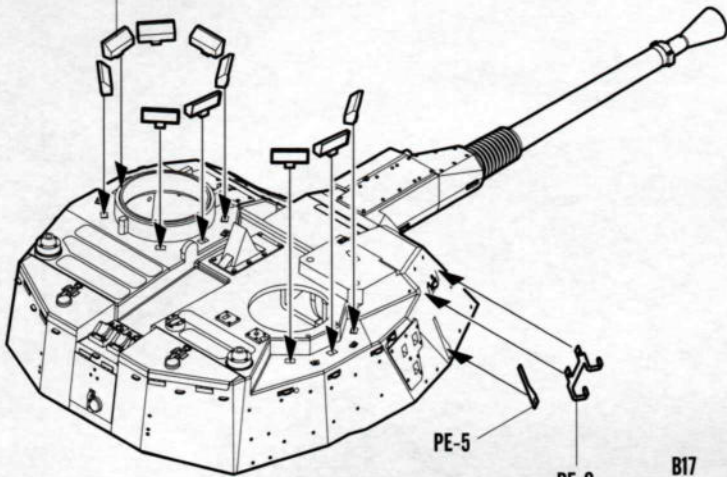
7
STEP







A1X10



PE-5

PE-9

Bend
弯曲

H6

B13

H4

B17

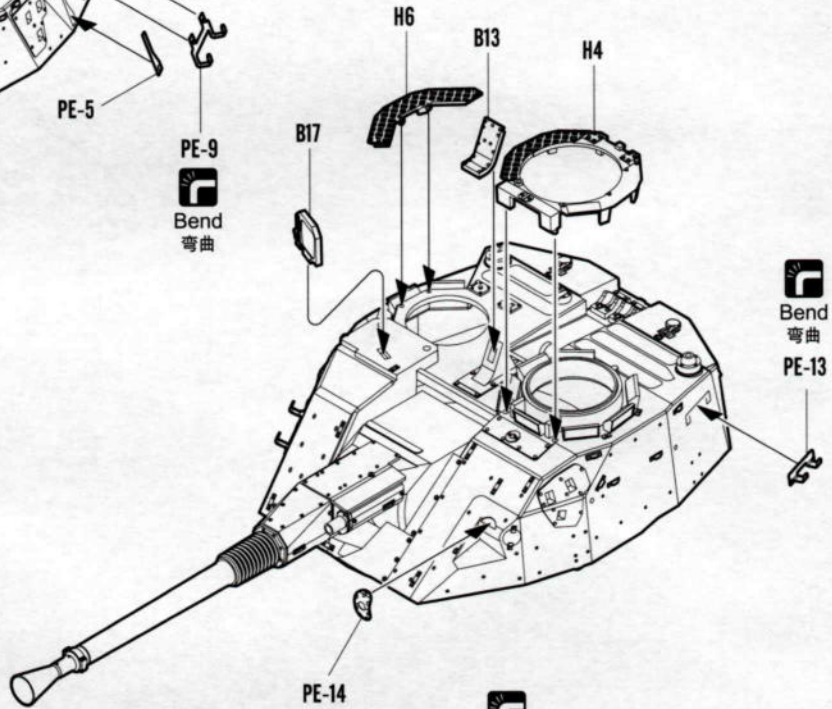
Bend
弯曲
PE-13

D8

B9

C10

B1



PE-14

Bend
弯曲

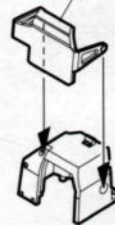
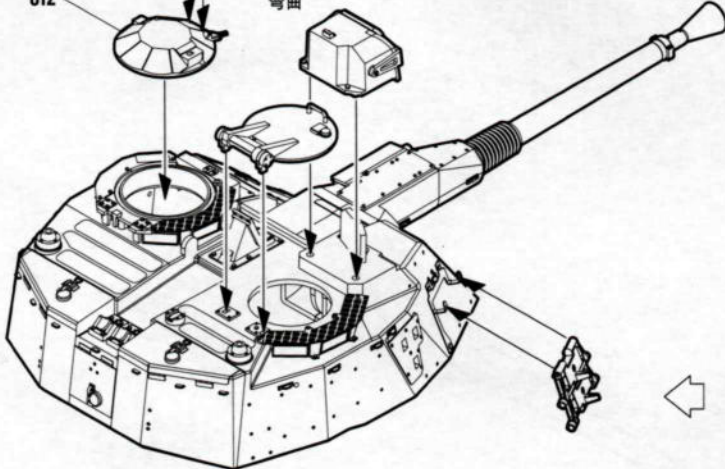


Bend
弯曲
PE-10

PE-25

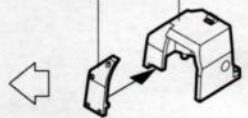
Bend
弯曲

C12



C13

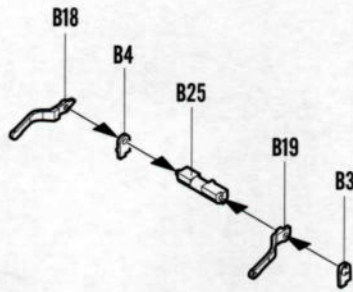
B12



AB

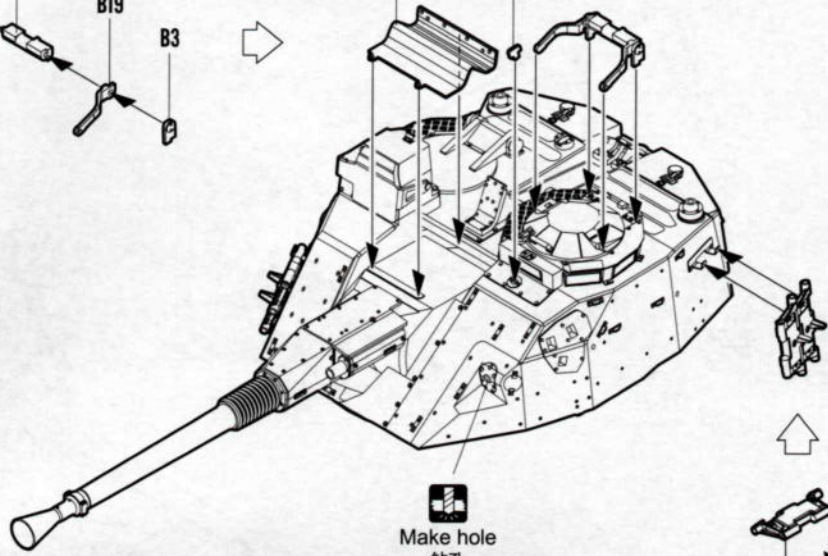
履带
Track

制作2组
Make two

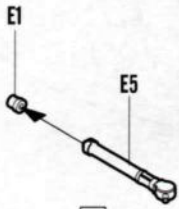


B
Bend
弯曲
PE-23

B8



制作2组
Make two

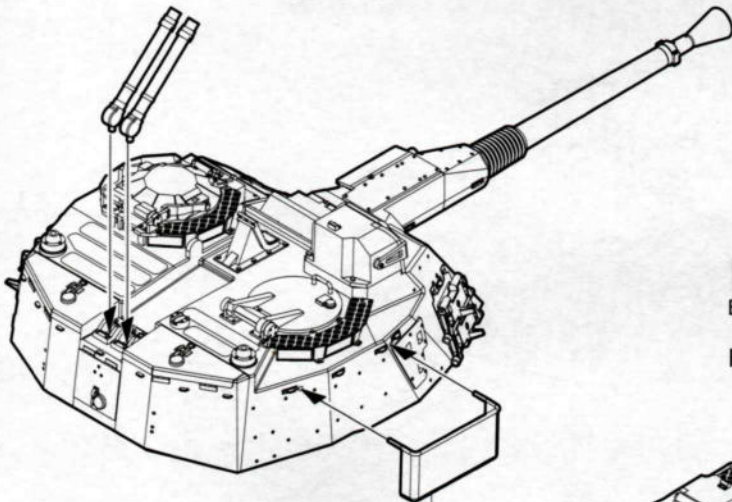


M
Make hole
钻孔

AB

履带
Track

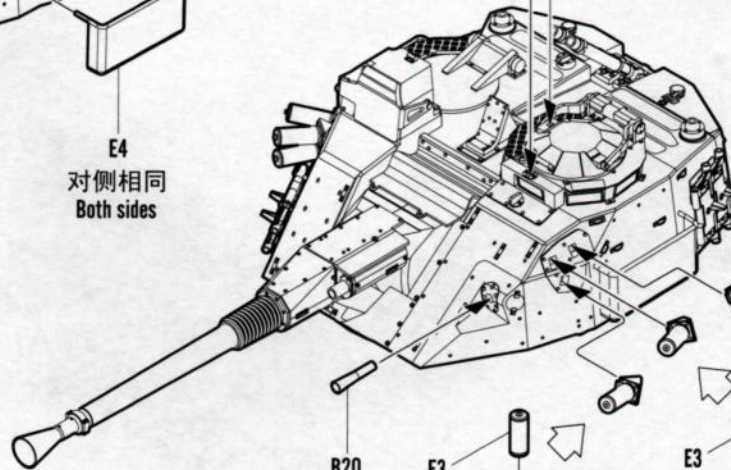
制作2组
Make two



E4
对侧相同
Both sides

B
Bend
弯曲
PE-21

B7



E3

B20

E3

E3

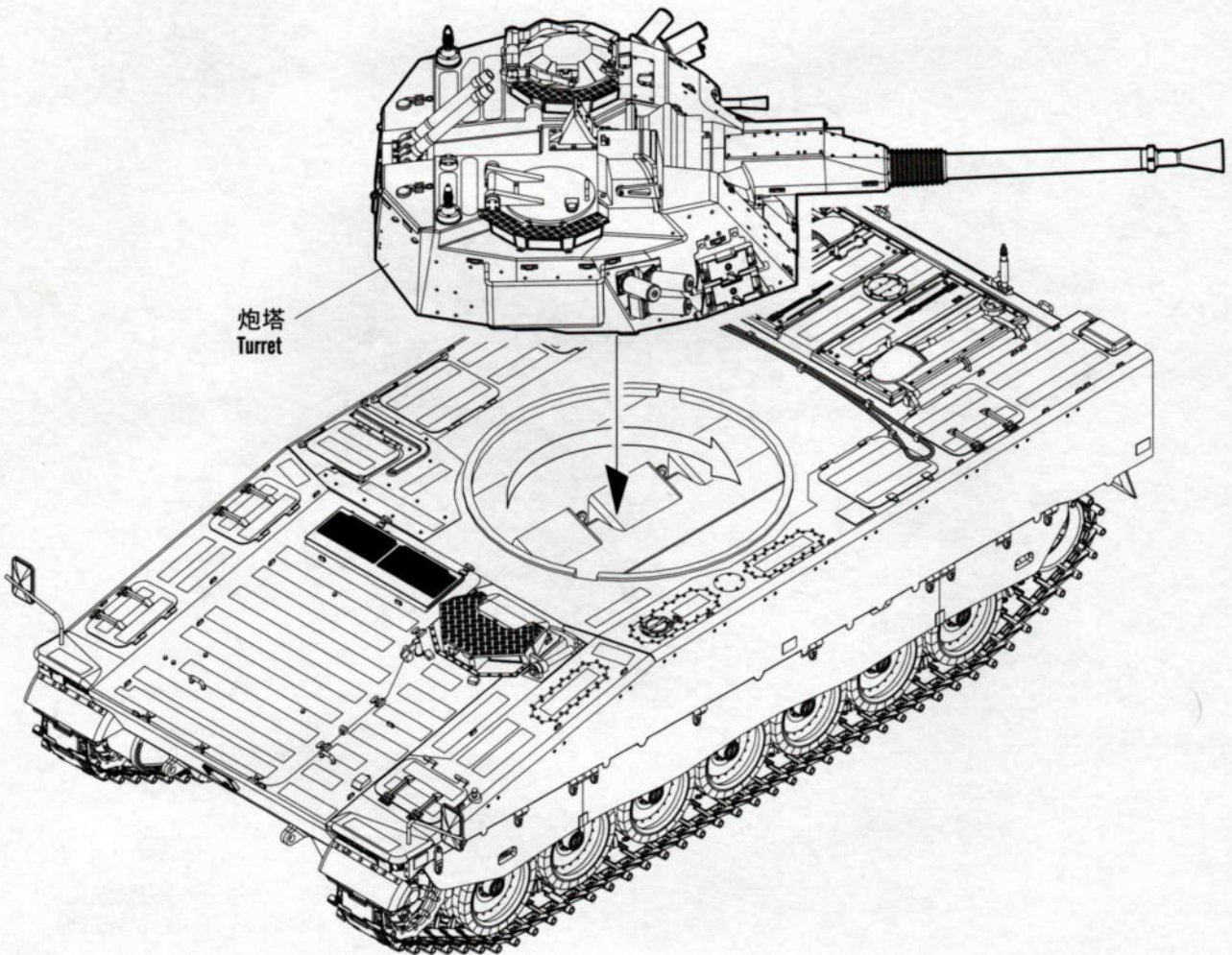
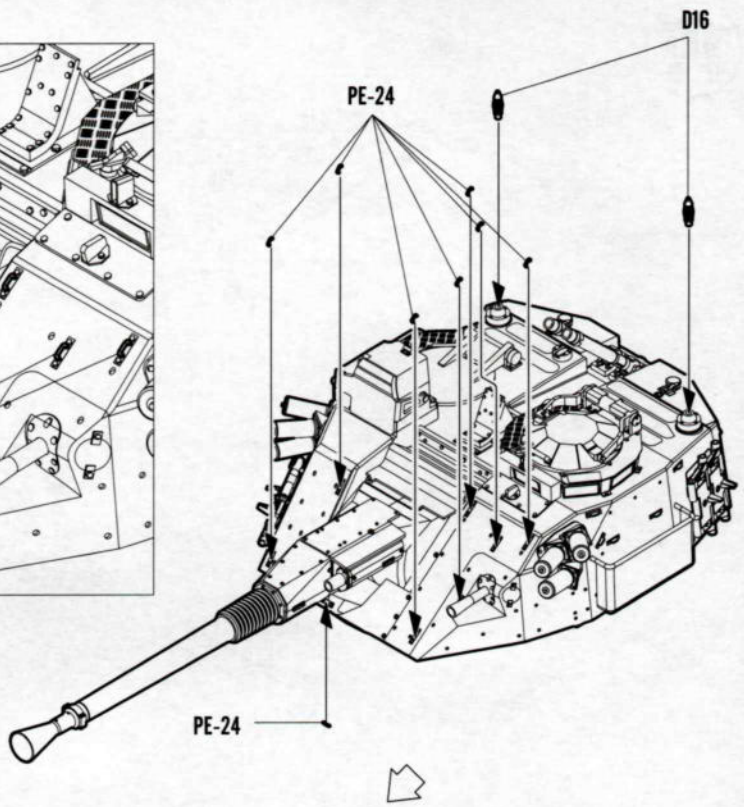
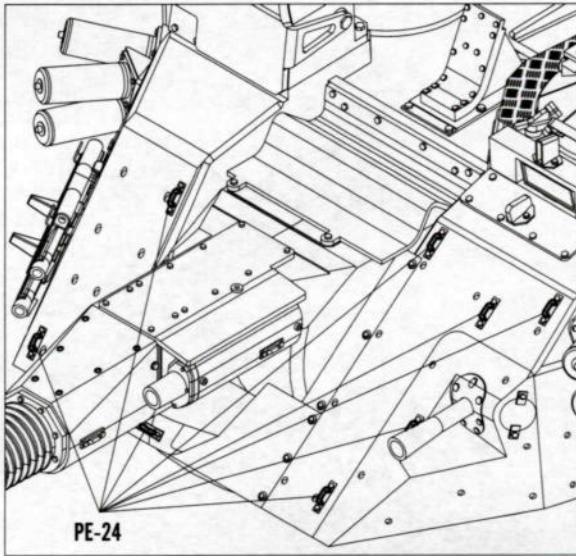
E6

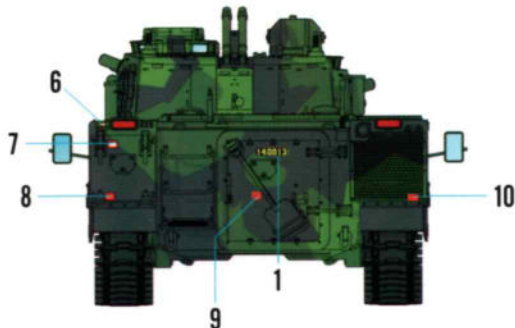
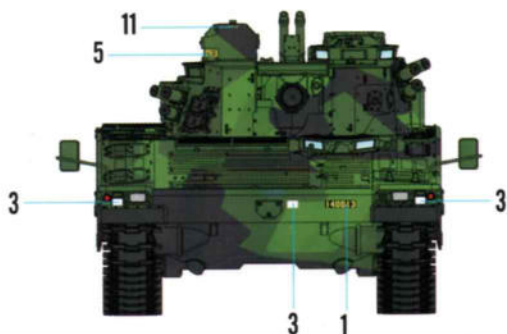
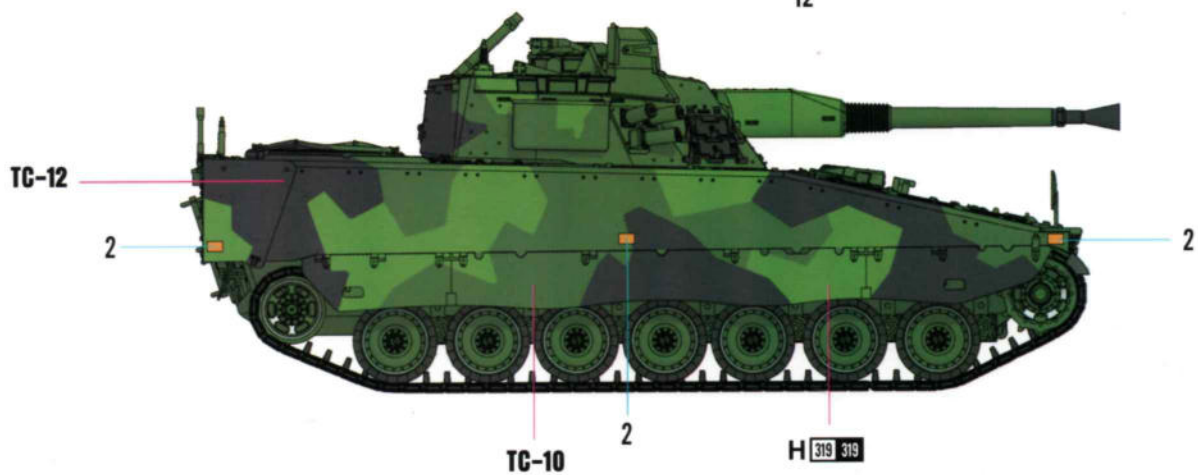
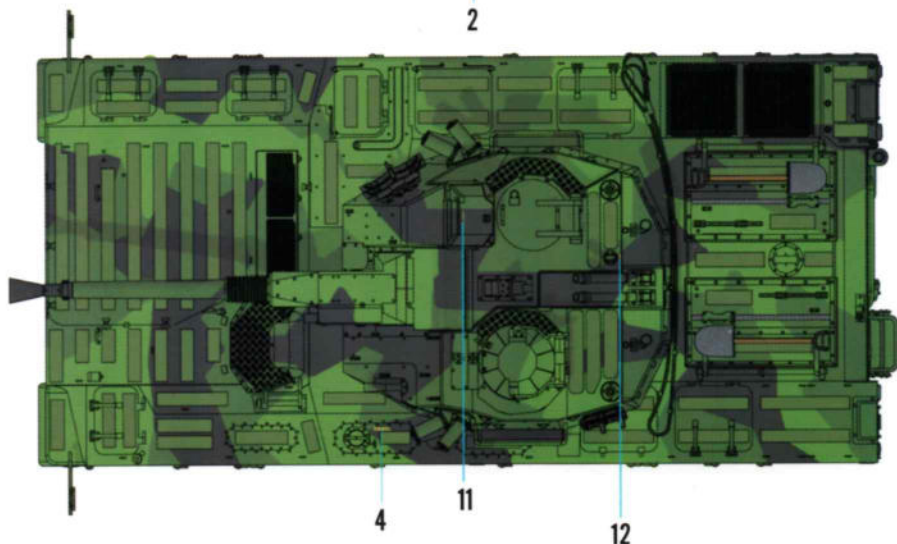
E7

E8

对侧相同
Both sides

11
STEP





H 319 319

TC-10

TC-12

Light Green

NATO Green

NATO Black