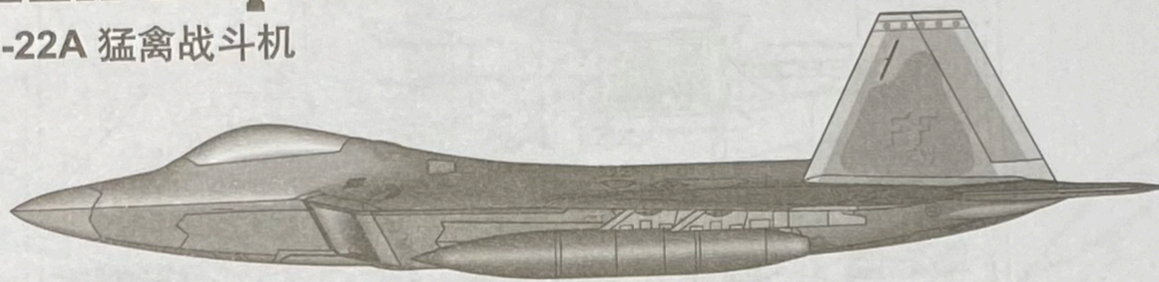


1:144 Scale

ITEM NO.: 01317

F-22A Raptor

美国F-22A 猛禽战斗机



READ BEFORE ASSEMBLY:

- Study and understand these instructions thoroughly before beginning assembly
- When needed, remove photo-etch parts carefully using a modeling knife or photo etch sprue cutter, being careful not to damage or lose small parts.
- Take extra care in handling photo etch parts in order to avoid injury
- Apply instant cement sparingly to photo etch parts where instructed
- Tools recommended(not included in kit):Plastic and instant cements,sprue cutters,long nose pliers,,modeling knife, small files, tweezers, pin vise & scissors. Soft cloth and sandpaper will also assist in construction
- Glue and paint are not included in the kit. Use plastic cement and hobby paints only. Color guide for purchasing paint is included in the kit.

装配之前仔细阅读

- 小心用模型锉刀锉平所有零件表面的注射浇口。
- 小心用刀片切下蚀刻片零件，不要遗失小零件。
- 用强力快干胶水粘合蚀刻片零件和金属轴。过量的快干胶水使用可能导致可动零件会粘住，小心涂胶。
- 取蚀刻片时应特别注意安全，防止利边划伤手指。
- 某些零件表面需贴水贴纸，请选择在装配的同时进行。
- 推荐模型工具(自备)：胶水，水口剪刀，长咀钳，刀片，锉刀，镊子，钳，钻，剪刀，瞬间快干胶。
- 软布同砂纸同时也应该是必备工具。
- 请使用塑料胶水和油漆，模型内不含。



cyanoacrylate glue
使用强力胶



weight
配重



make hole
钻孔



cut / remove
切除



bend
弯曲



file / sand
锉平



option
选择



no cement
不涂胶水



decal
贴纸

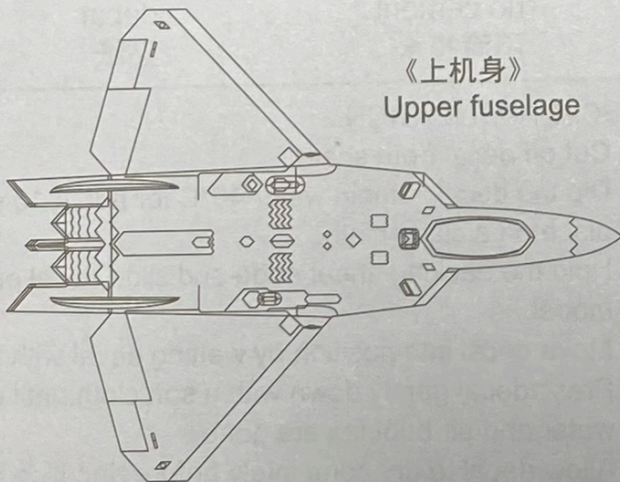
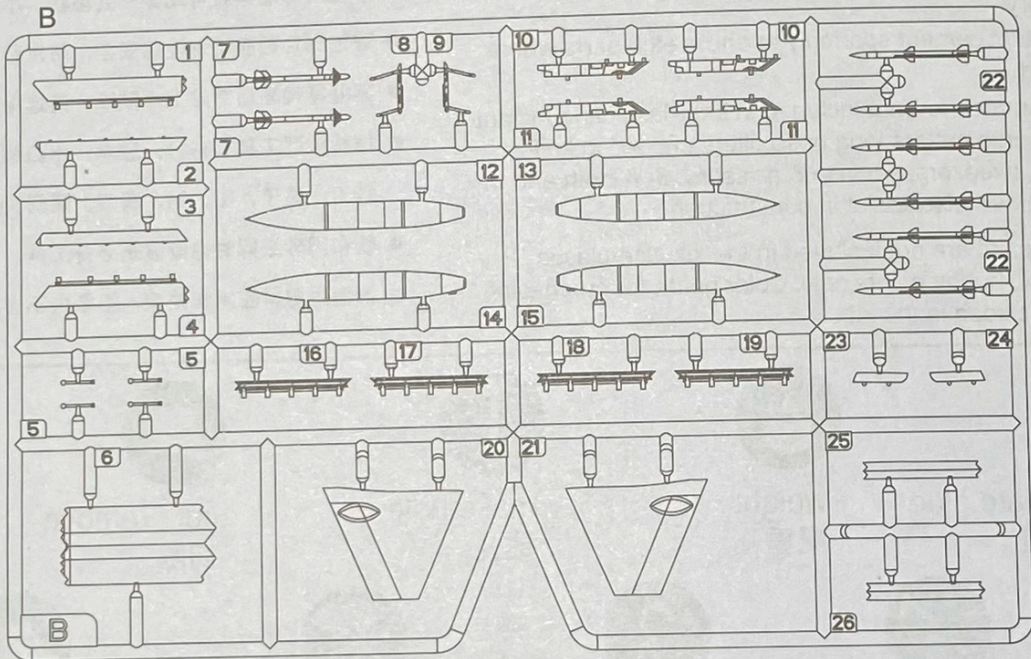
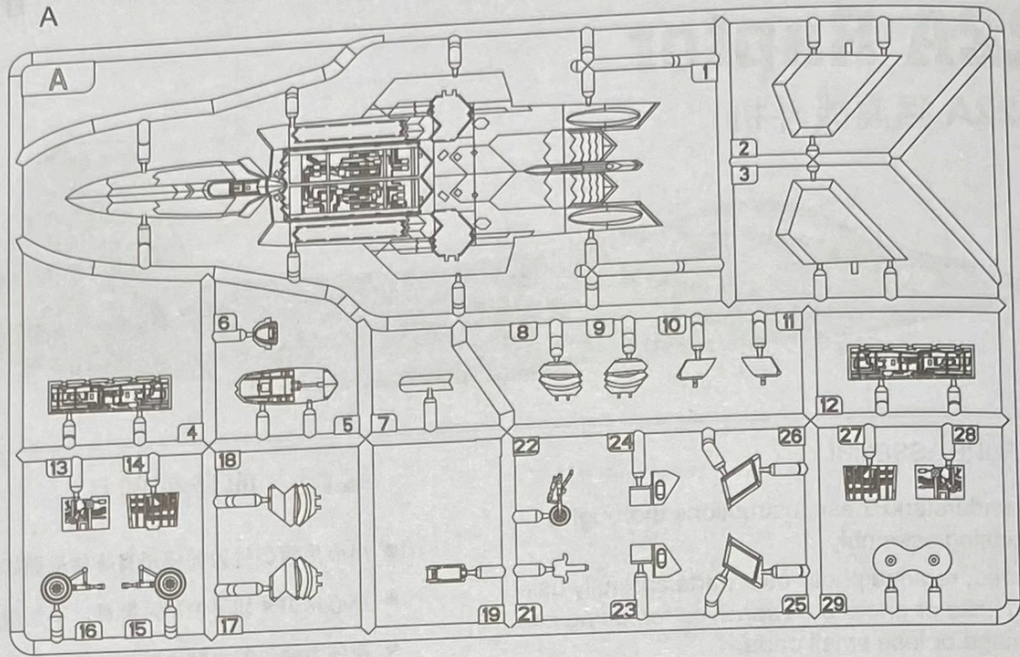
水贴纸的使用:

1. 从水贴上剪下印花;
2. 将印花放入温水中浸10秒，然后放在干净布上。
3. 拿着印花纸板将印花移到模型上;
4. 手指蘸水将印花移到适当的位置;
5. 用软布轻压印花直至水干，汽泡消失。

DECAL APPLICATION

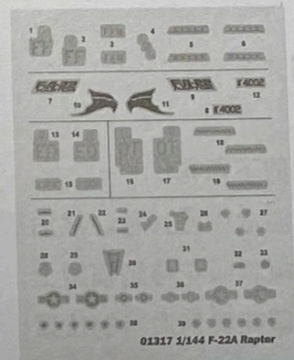
1. Cut off decal from sheet.
2. Dip the decal in tepid water 40°C for about 10 sec. and place on a clean cloth.
3. Hold the backing sheet edge and slide decal onto the model.
4. Move decal into position by wetting decal with finger.
5. Press decal gently down with a soft cloth until excess water and air bubbles are gone.
6. Allow decal to dry completely before handling model.

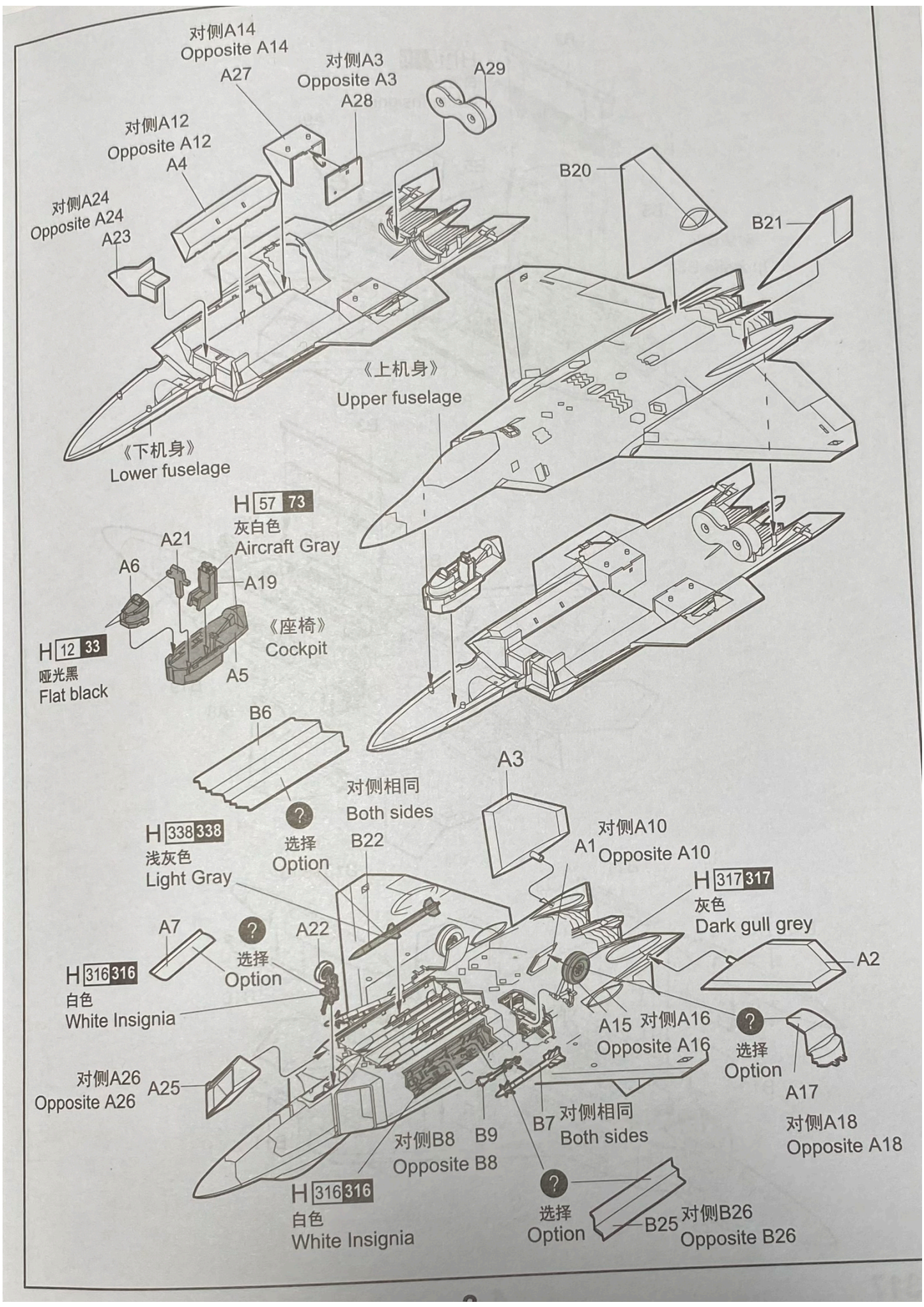
部品图
Parts



《上机身》
Upper fuselage

《水贴》
Decal





对侧A14
Opposite A14

对侧A3
Opposite A3

对侧A12
Opposite A12

对侧A24
Opposite A24

《上机身》
Upper fuselage

《下机身》
Lower fuselage

H 57 73
灰白色
Aircraft Gray

H 12 33
哑光黑
Flat black

《座椅》
Cockpit

H 338 338
浅灰色
Light Gray

选择
Option

H 316 316
白色
White Insignia

对侧A26
Opposite A26

H 316 316
白色
White Insignia

选择
Option

对侧B26
Opposite B26

A27

A28

A4

A23

A29

B20

B21

A6

A21

A19

A5

B6

A3

对侧相同
Both sides

B22

对侧A10

Opposite A10

H 317 317

灰色
Dark gull grey

A7

选择
Option

A22

A1

选择
Option

A15 对侧A16
Opposite A16

选择
Option

A17

对侧A18
Opposite A18

A25

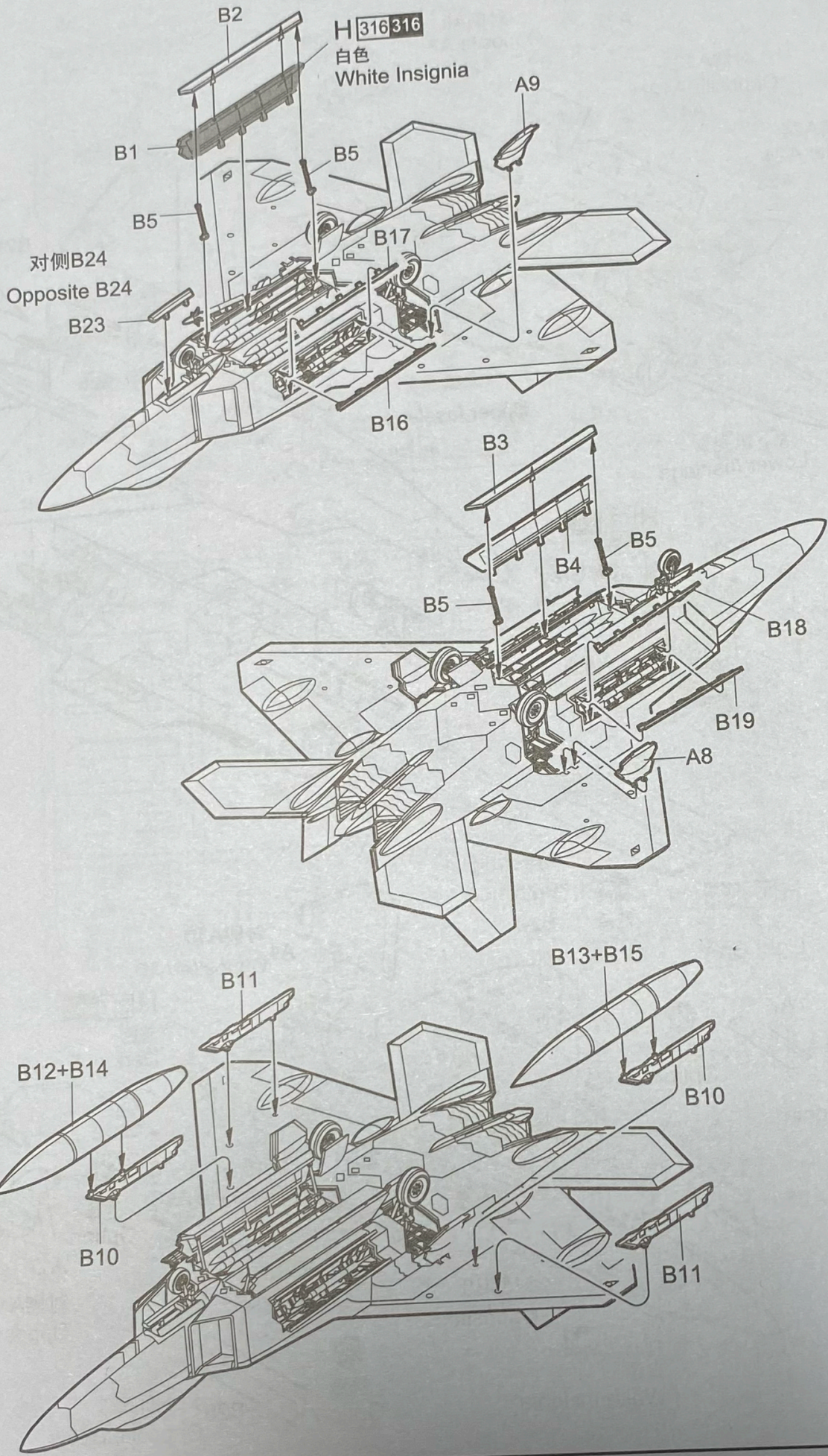
对侧B8 B9
Opposite B8

对侧相同
Both sides

选择
Option

B7

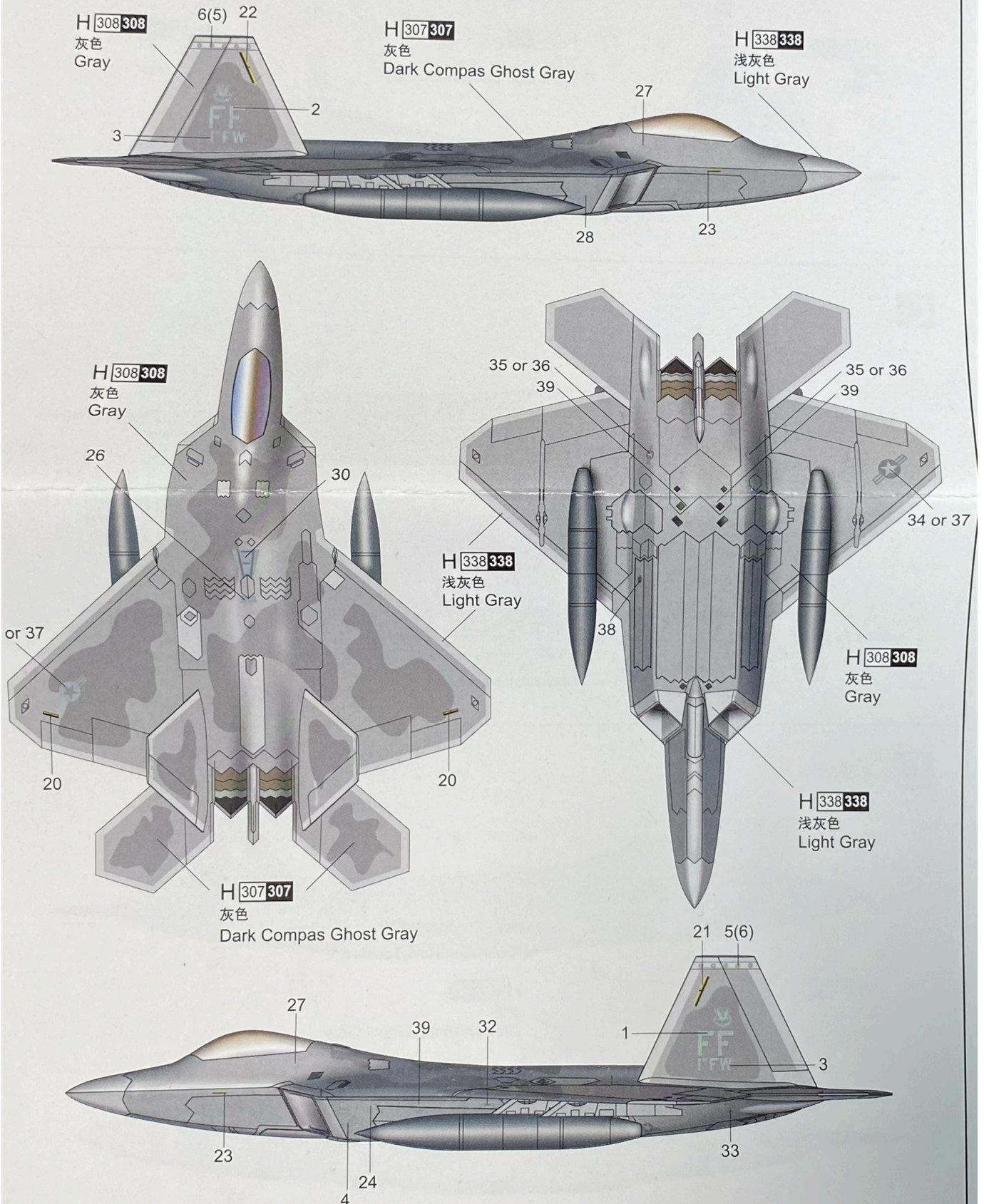
对侧B26
Opposite B26

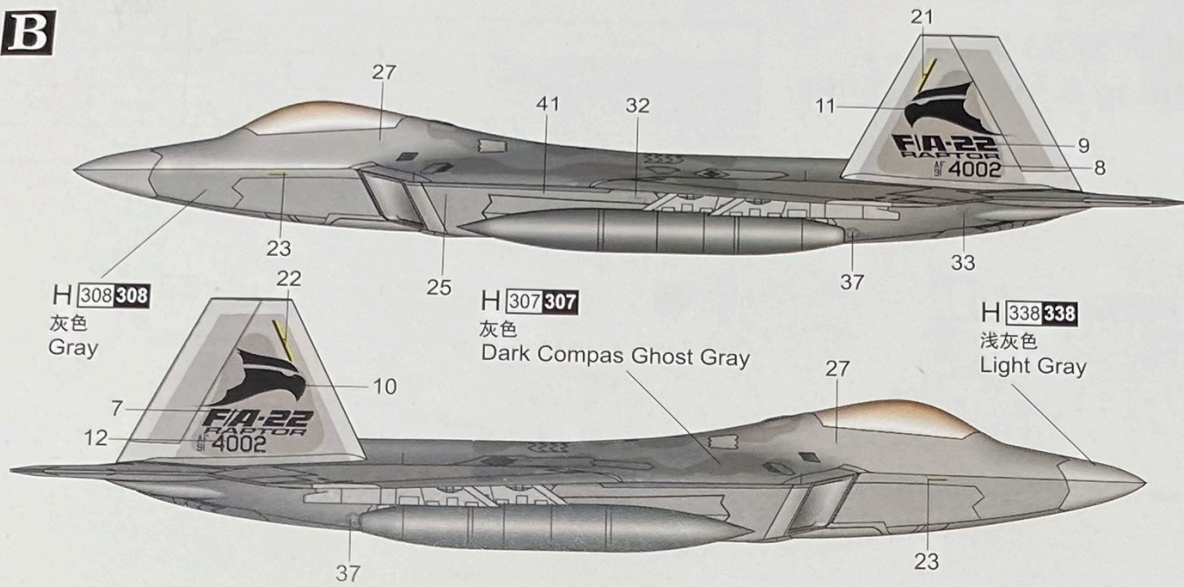
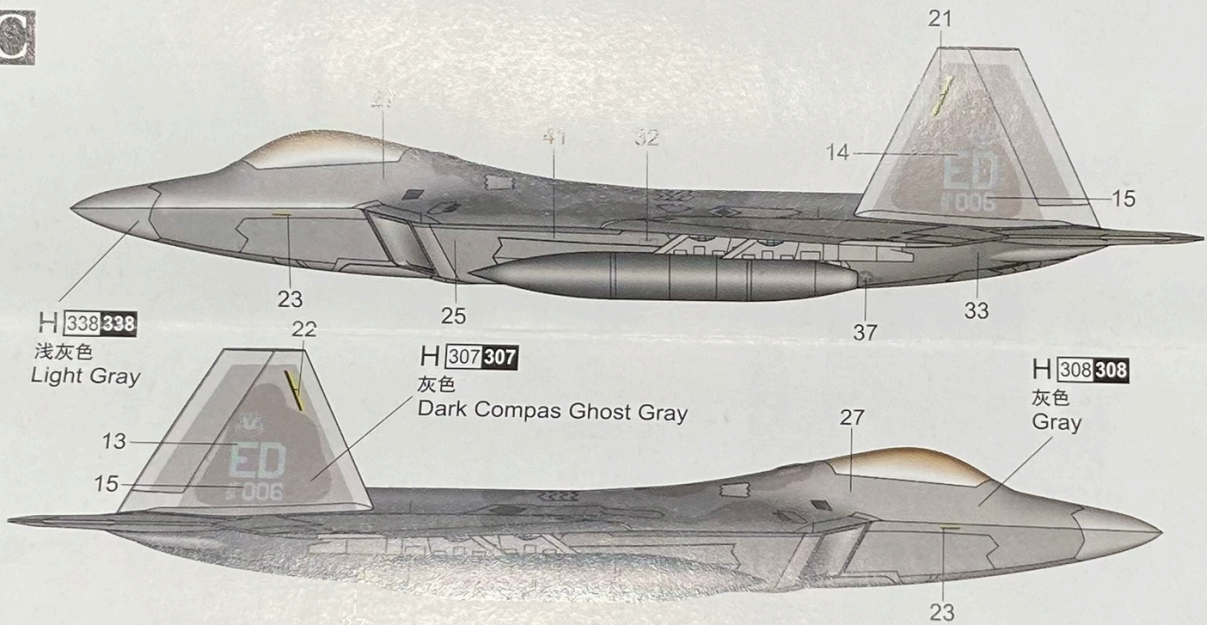


涂装同标贴指示 Painting & Marking guide

A

Color	Mr.Hobby	Vallejo	Model Master	Tamiya	Humbrol
Dark Compas Ghost Gray 灰色	H 307 307	—	1741	XF22	128
Gray 灰色	H 308 308	990	1727	XF19	127
Light Gray 浅灰色	H 338 338	907	1732	XF14	147



B**C****D**