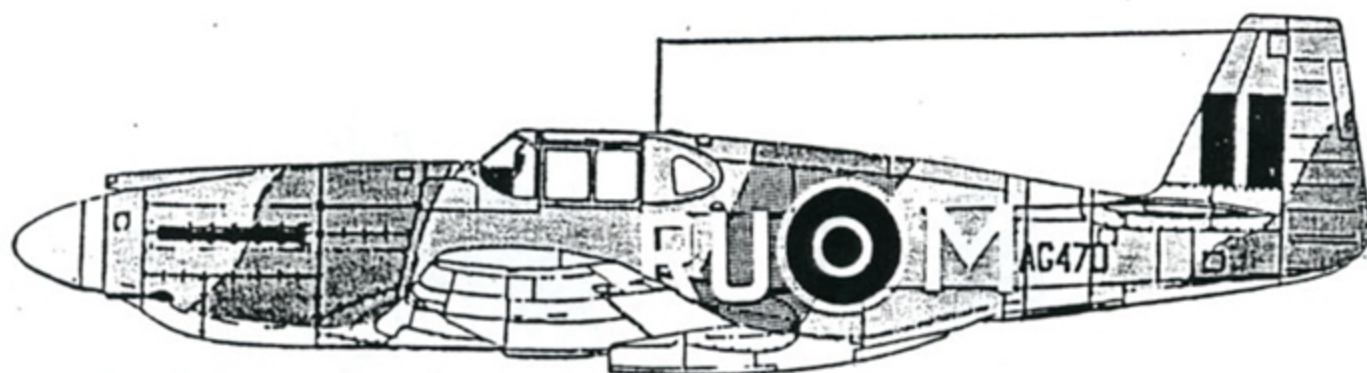


D - 35 - 48

1/48 SCALE

NORTH AMERICAN **MUSTANG MARK 1**
ROYAL CANADIAN AIR FORCE



414 SQUADRON, 1942.
F/O HOLLIS H. HILLS



IN MID 1942, THREE R.C.A.F. SQUADRONS (400, 414 AND 430) WERE ISSUED WITH MUSTANG 1 AIRCRAFT. THE ROLE OF THE SQUADRONS WAS TO PHOTOGRAPH AND CONDUCT LOW LEVEL ATTACKS ON GERMAN INSTALLATIONS IN FRANCE.

THE ALLISON POWERED, MARK 1 MUSTANG HAD A .50 CAL. BROWNING ON EACH SIDE OF THE ENGINE. EACH WING CONTAINED A .50 INBOARD OF TWO .30 CAL. BROWNING MACHINE GUNS. 620 MUSTANG 1'S HAD BEEN DELIVERED TO BRITAIN BY JULY OF 1942..

THE ENCLOSED DECALS REPRESENT A MUSTANG 1, OF 414 SQUADRON, ROYAL CANADIAN AIR FORCE. FLOWN BY F/O HOLLIS H. "HOLLY" HILLS. ON AUGUST 19, 1942, THIS AIRCRAFT PARTICIPATED IN THE DIEPPE RAID.

ON HIS SECOND SORTIE, HILLS SHOT DOWN A FOCKE-WULF 190A. THIS WAS HIS FIRST VICTORY AND THE FIRST ENEMY AIRCRAFT DESTROYED BY A MUSTANG.

IT IS INTERESTING TO NOTE THAT AT LEAST SIXTY ALLISON POWERED MUSTANGS WERE STILL IN R.A.F SERVICE AT THE END OF HOSTILITIES.

ASK TO SEE OTHER DECAL SHEETS FROM YOUR DEALER
OR WRITE TO

ARROW GRAPHICS

R. R. NO 1

YORK, ONTARIO

NOA 1R0

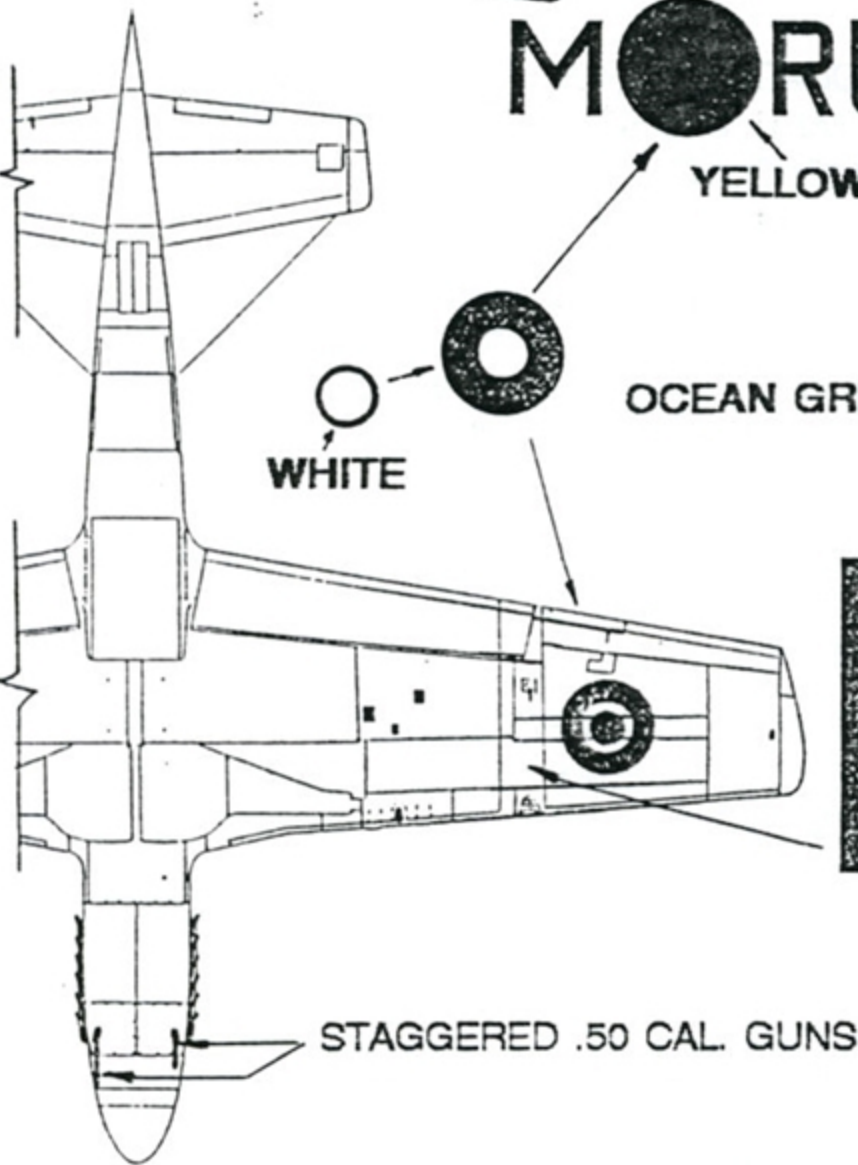
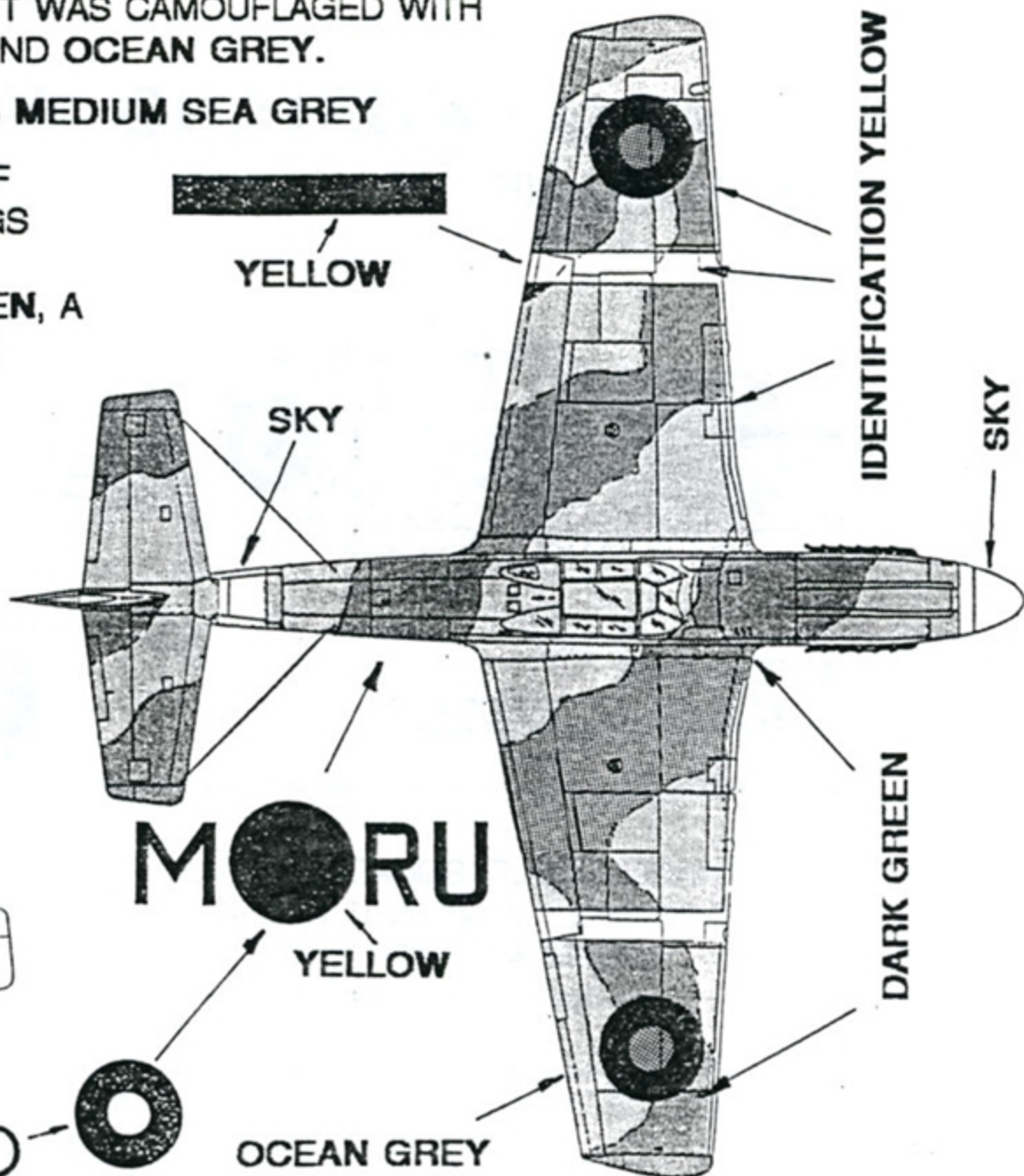
(905) 692-4921

TOP OF AIRCRAFT WAS CAMOUFLAGED WITH **DARK GREEN AND OCEAN GREY.**

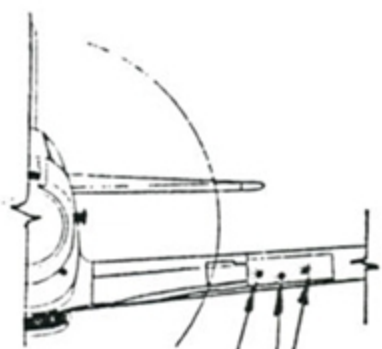
UNDERSIDE WAS **MEDIUM SEA GREY**

THE INTERIOR OF THESE MUSTANGS WAS PAINTED **INTERIOR GREEN, A ZINC CHROMATE PRIMER**

FACE OF INSTRUMENT PANEL AND TOP OF COWL ABOVE IT WERE **FLAT BLACK OR DARK OLIVE GREEN**



NOTE; **RED** OF FIN FLASH TO *FRONT* OF AIRCRAFT



INNER GUN .50 CAL
STAGGERED .30 CAL GUNS

SPECIAL THANKS TO **RALPH CLINT** FOR ALLOWING USE OF HIS SUPERB DRAWINGS OF THE MUSTANG. ALSO TO **MARK BURLEY** AND **BOB KEEGAN** FOR THEIR ASSISTANCE WITH THIS PROJECT