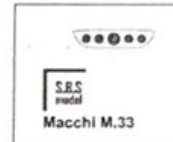
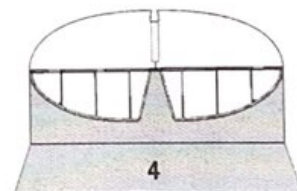
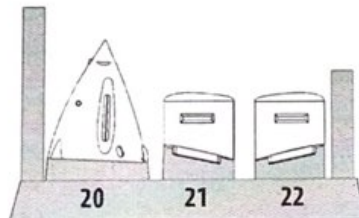
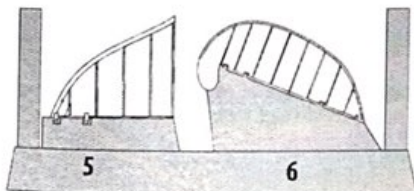
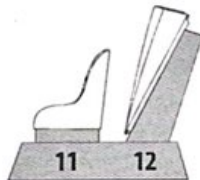
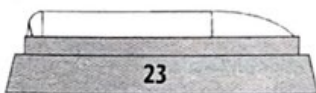
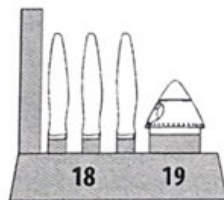
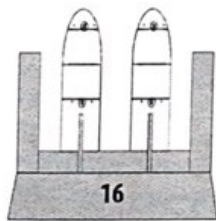
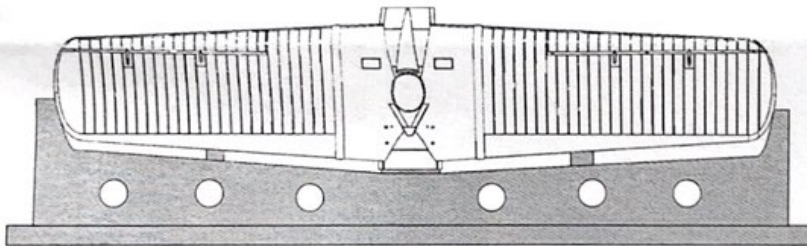
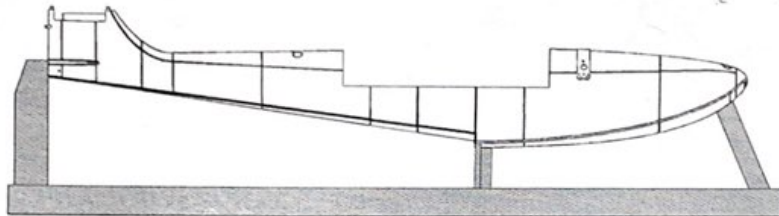
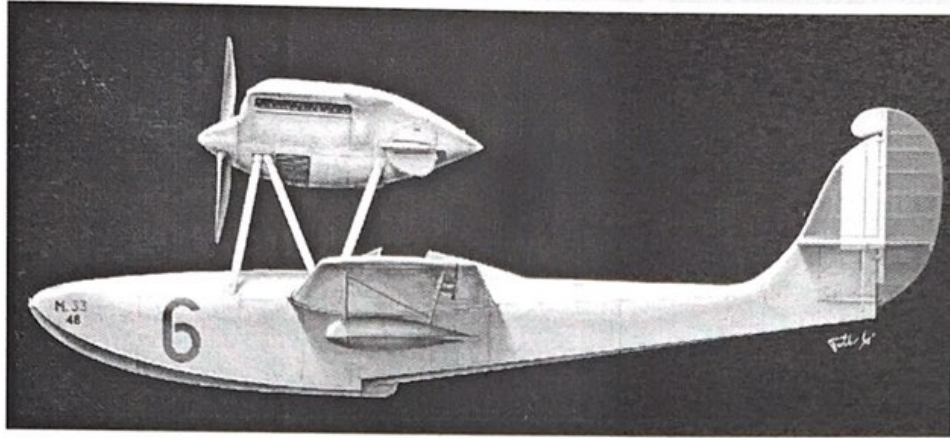


S.B.S.
model

MACCHI M 33

1/72 scale resin kit for experienced modelers

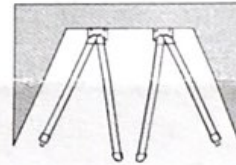
SBS7027



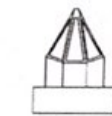
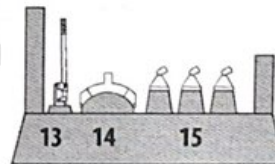
Film



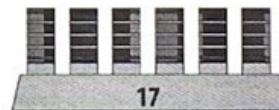
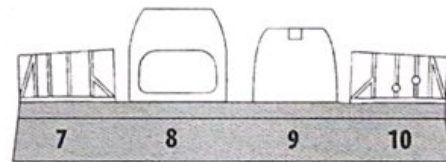
Photo etch



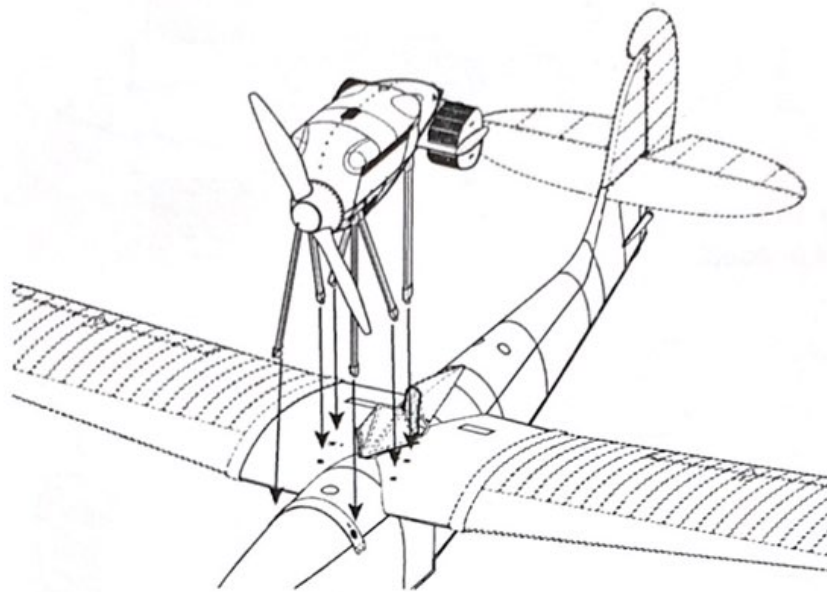
Bronze struts



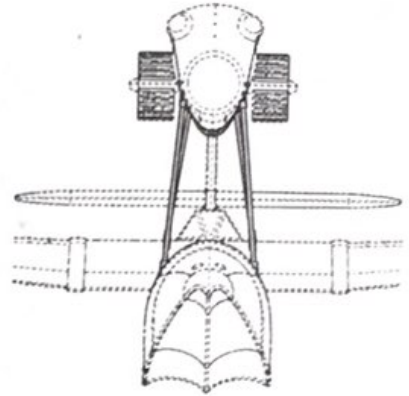
Clear part



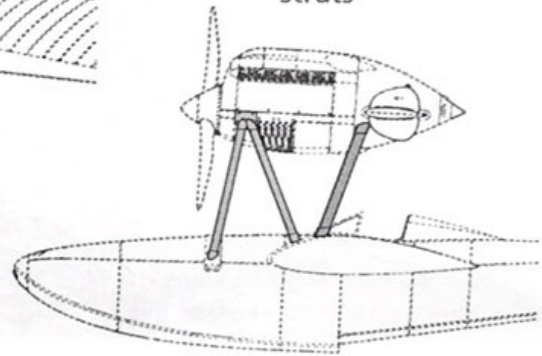
8.



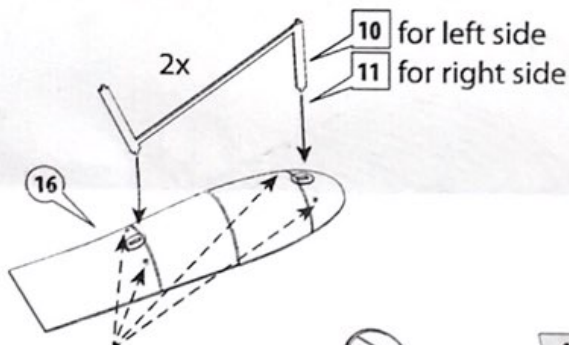
! Front view of the motor struts



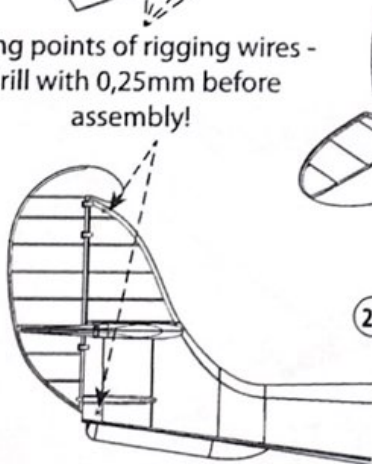
! Side view of the motor struts



9.



Fixing points of rigging wires - drill with 0,25mm before assembly!



10.

Fixing points of rigging wires - drill with 0,25mm before assembly in both sides!

