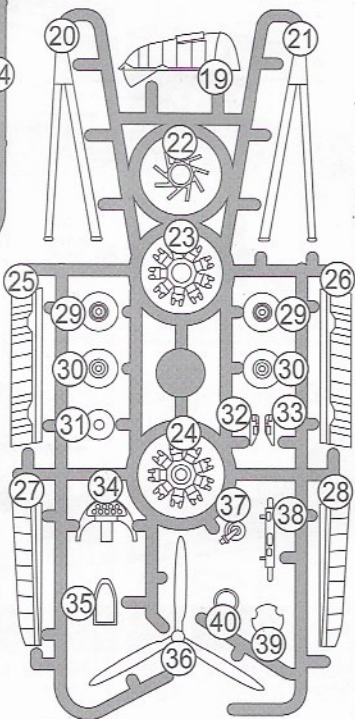
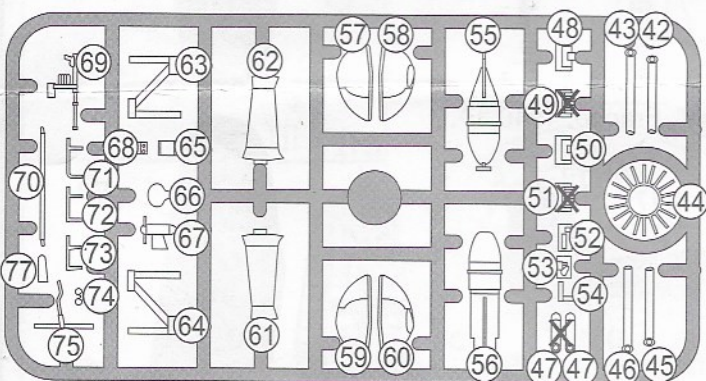
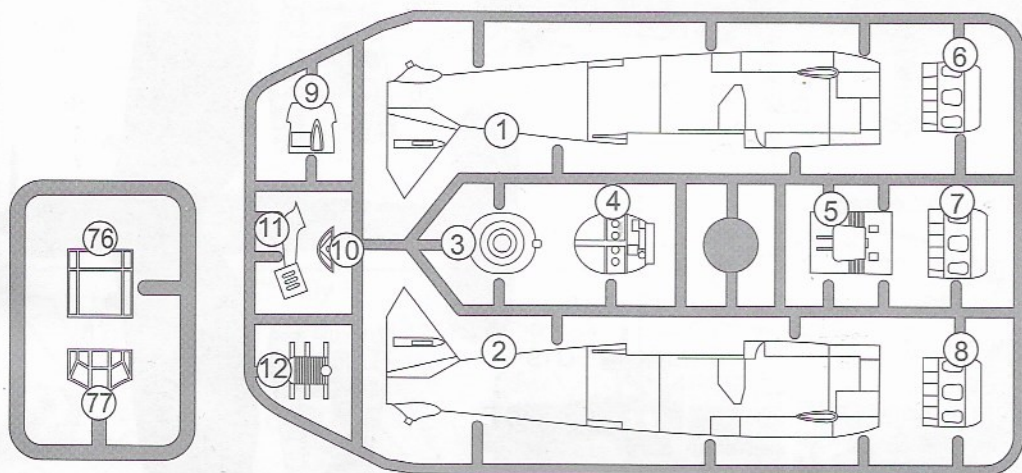


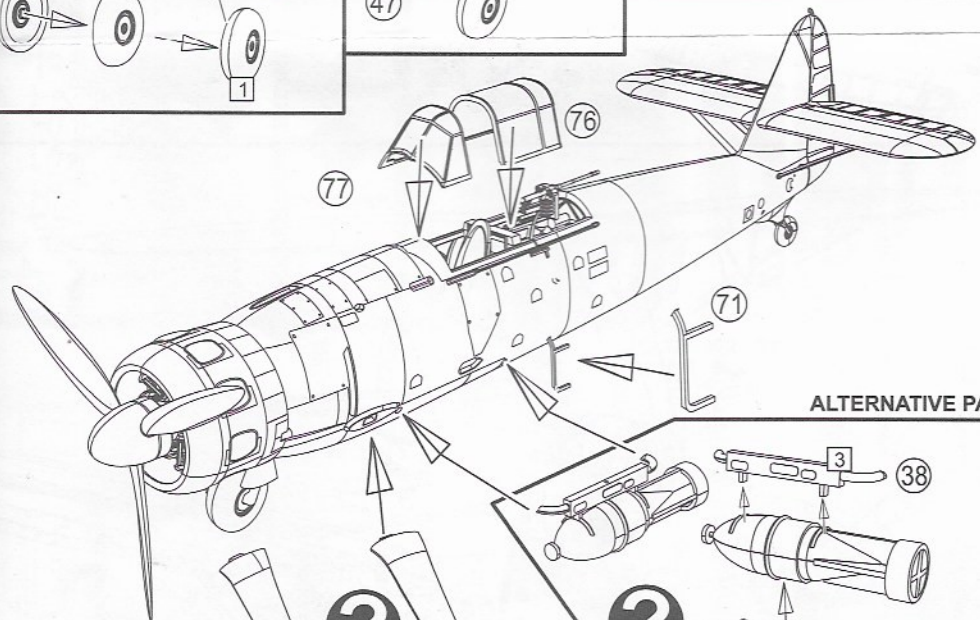
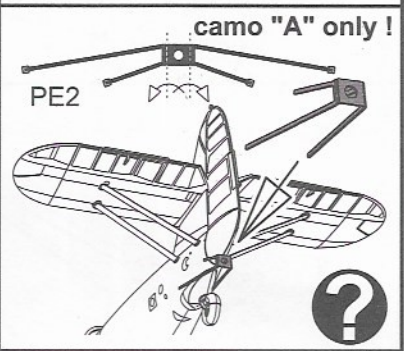
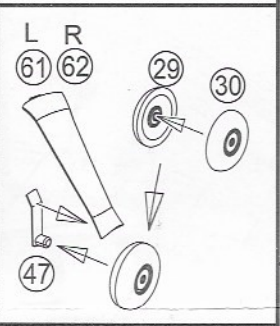
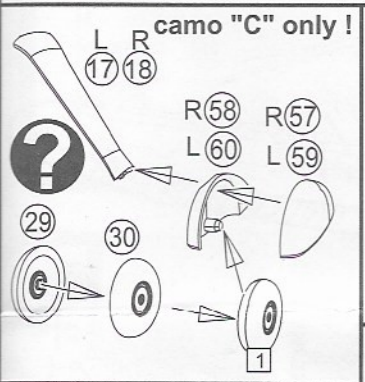
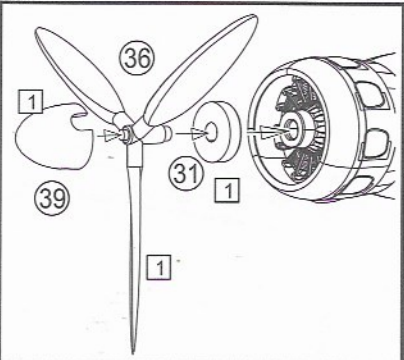
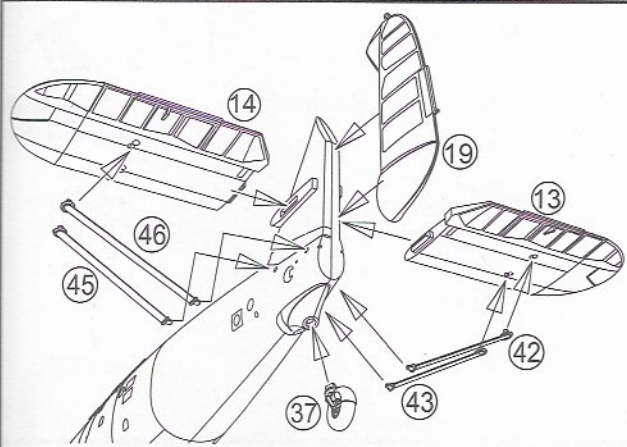


# HENSCHEL Hs 126 B1

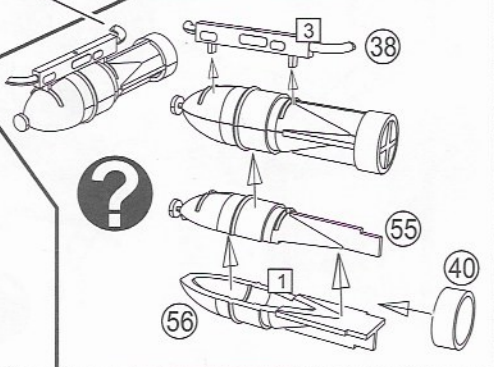






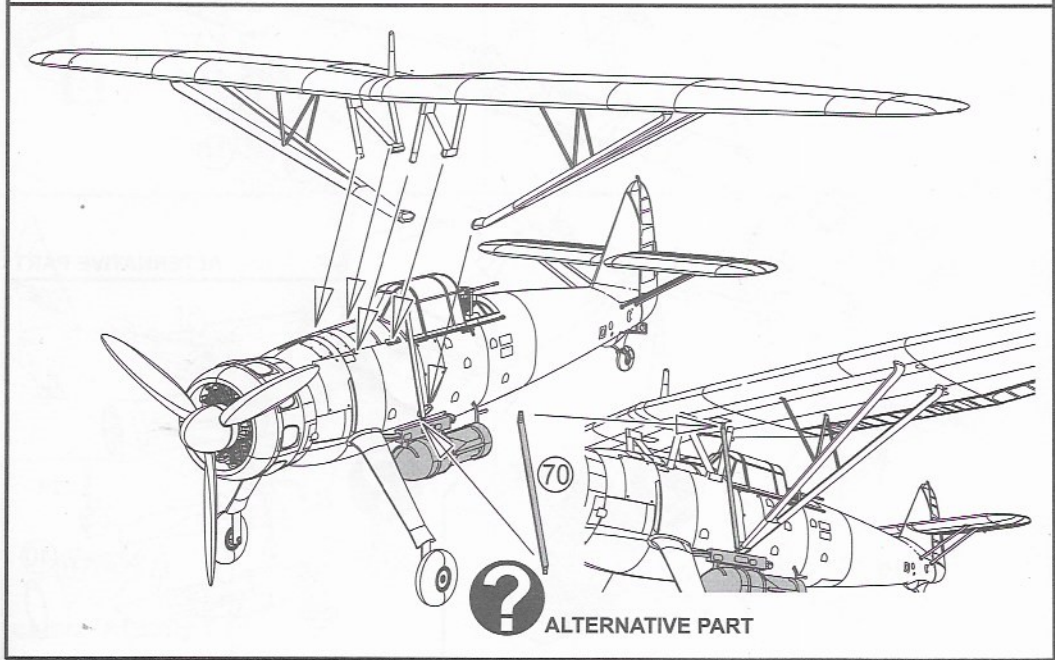
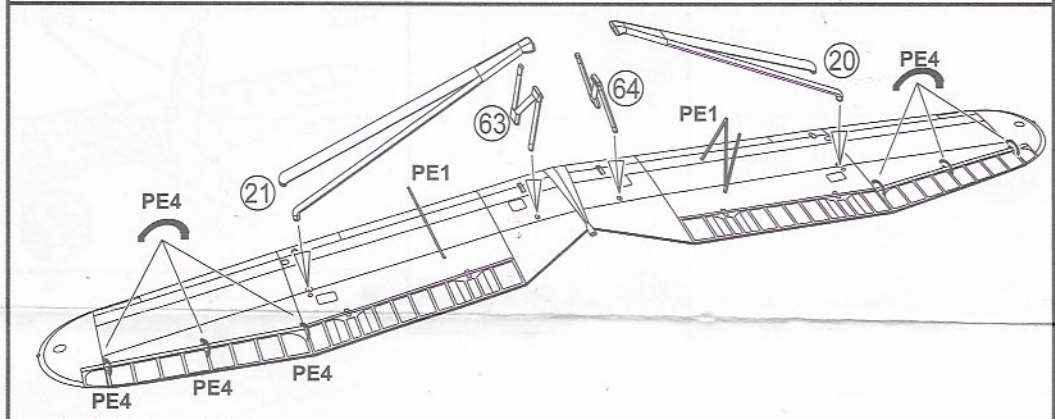
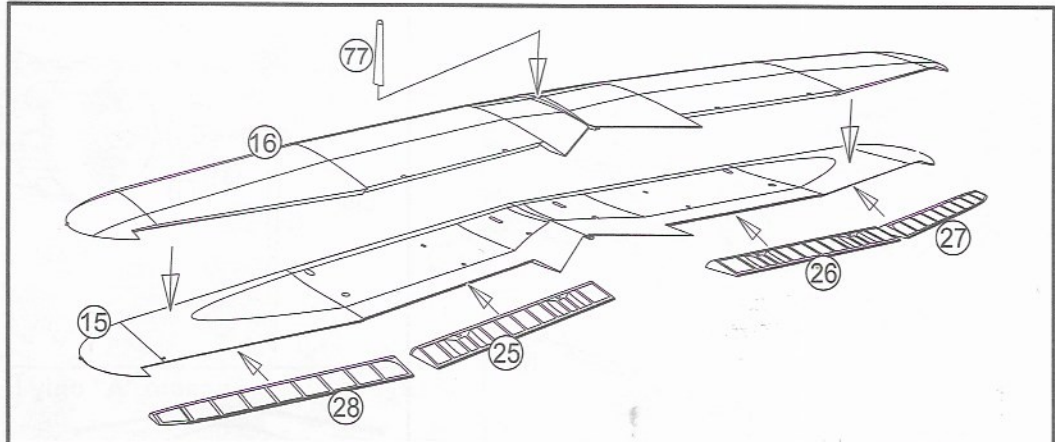


**ALTERNATIVE PART**



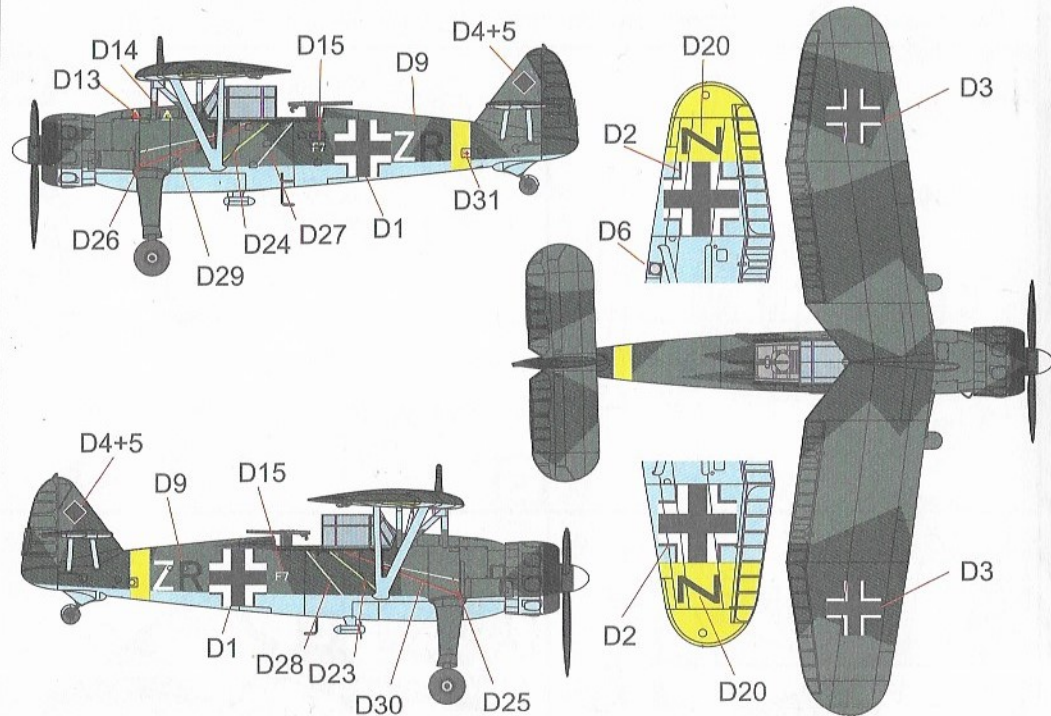
**camo "C" only !**



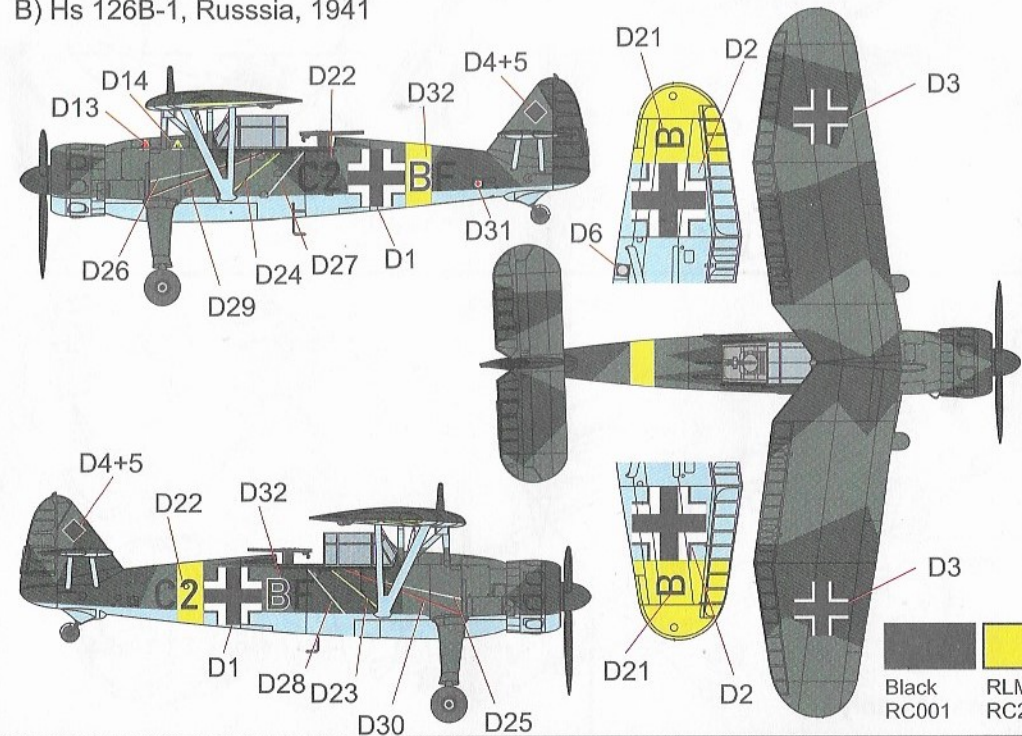




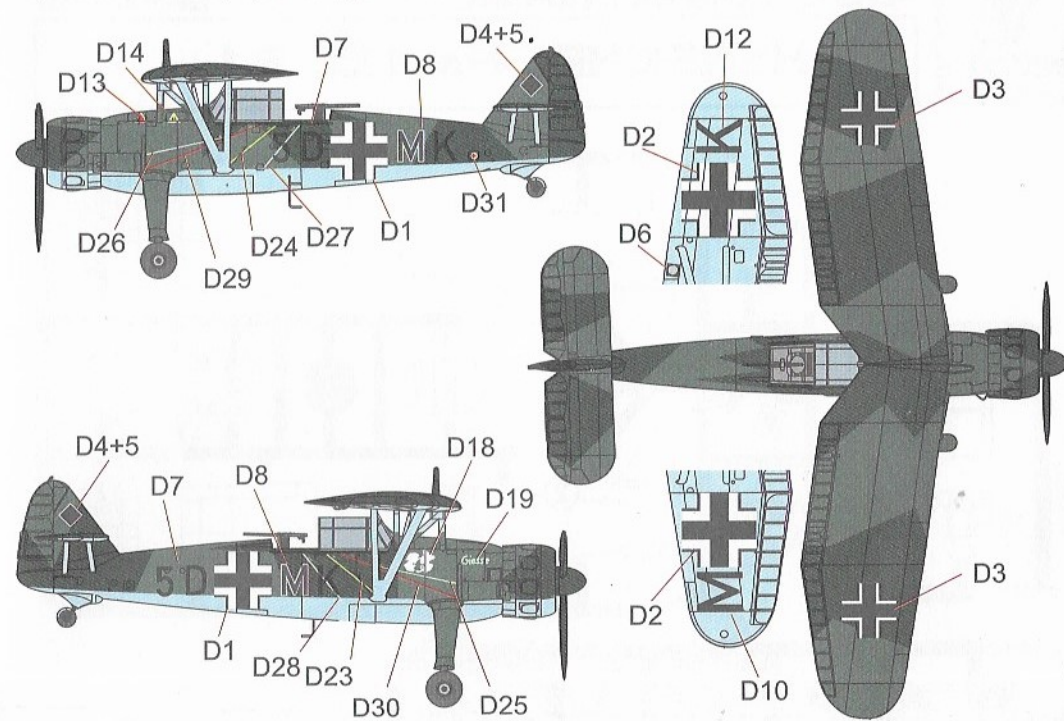
A) Hs 126A-1, I./LLG 2 (I./2nd Glider Assault Wing), Practica di Mare, Italy, 1943



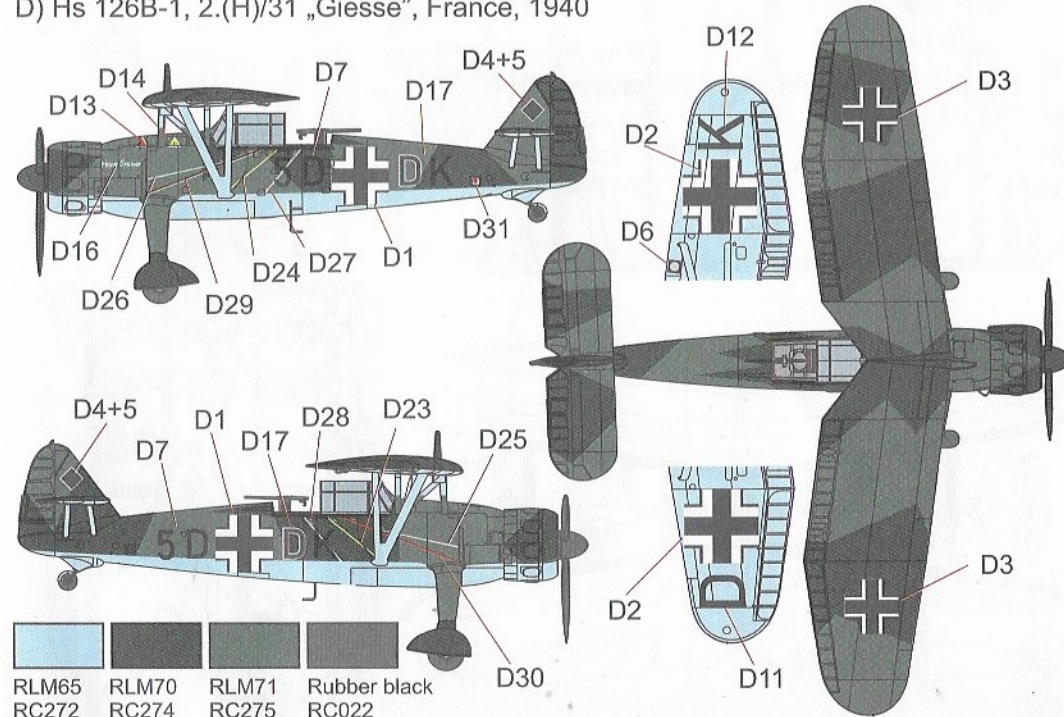
B) Hs 126B-1, Russia, 1941



C) Hs 126B-1, 2.(H)/31 „Major Steiner”, France, 1940



D) Hs 126B-1, 2.(H)/31 „Giesse”, France, 1940



Black RC001	RLM04 RC267	RLM65 RC272	RLM70 RC274	RLM71 RC275	Rubber black RC022