

MOEBIUS MODELS



**1:25 SCALE ALL PLASTIC  
ASSEMBLY KIT**



# LONE Star

## ASSEMBLY INSTRUCTIONS

Thank you for buying this kit! We hope it will reach your expectations for a modern plastic assembly kit. Please note that the instructions are very important on this project, as it can be a complicated kit. We have tried to provide a useful guide that should accommodate all levels of builders, even beginners. Remember, even though the first "test assembly" was done here in our offices with no instructions, we do not recommend you try this! We have tried to keep it as simple as possible, for as detailed of a kit that it is.

We feel that the careful mix of images, text, and drawings should provide you with a logical assembly path that will ensure your success in finishing this kit. Please read the instructions that accompany the images and drawings, as they are provided to help interpret what the engineers thought the best sequence of assembly would be. Decal placement and colors are only a suggestion of course, but I can't stress enough to read the instructions and "dry" fit pieces before you finalize assembly sequences.

If you have any helpful ideas on how we can improve the enjoyment of this kit, please e-mail us at [customer.service@moebiusmodels.com](mailto:customer.service@moebiusmodels.com). Oh, and thanks again for your purchase!

### LIST OF TOOLS AND MATERIALS:

- Hobby Knife
- Sprue Cutters
- Rubber Bands
- Spring type Clothes Pins
- Magnifier
- Plastic Cement or Cyanoacrylate glue
- Paints and brushes suitable for use with styrene plastic

### ASSEMBLY NOTES

Before you start your model kit, take time to read through the instruction sheet and check to make sure that you have all the parts. Some time spent reading the instruction sheet and planning the best way to proceed will make your model building experience more enjoyable. As you assemble your kit, cut parts off the sprue with sprue cutters or a sharp hobby knife, do not break parts off the sprue. Be especially careful with the clear parts as clear styrene is more brittle and easily damaged – always cut clear parts off sprues NEVER break them off. Take time to test fit parts before gluing them in place.

Thank you to all the LoneStar project and Strategic Product Planning People at Navistar's Global Product Center In Fort Wayne IN. Without their help and involvement this model kit would not have been possible.

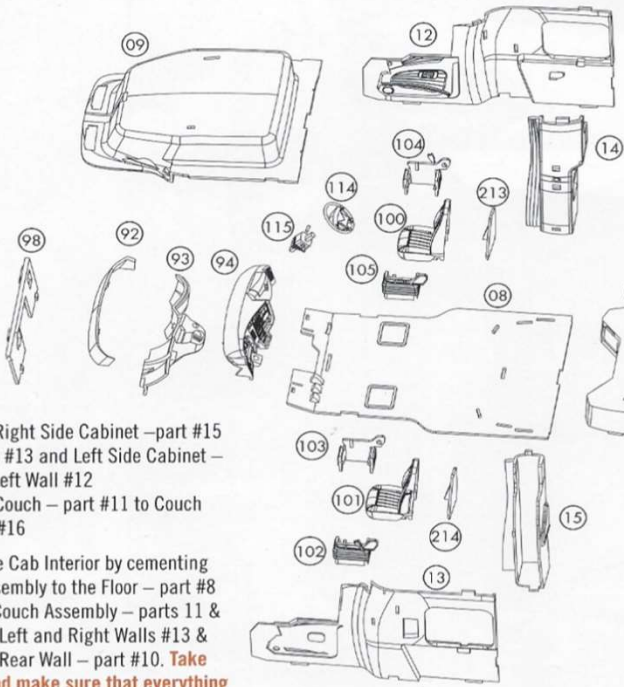
Box design – Frederick Barr  
Instruction sheet design – Christopher Barr  
Assembled model, Instructions and paint chart – Dave Metzner

[moebiusmodels.com](http://moebiusmodels.com)

INTERNATIONAL®, and other International truck trademarks are licensed by International Truck Intellectual Property Company, LLC  
©2020 Moebius Models, Upland, California.  
All rights reserved. Made and printed in China.

MOEBIUS MODELS



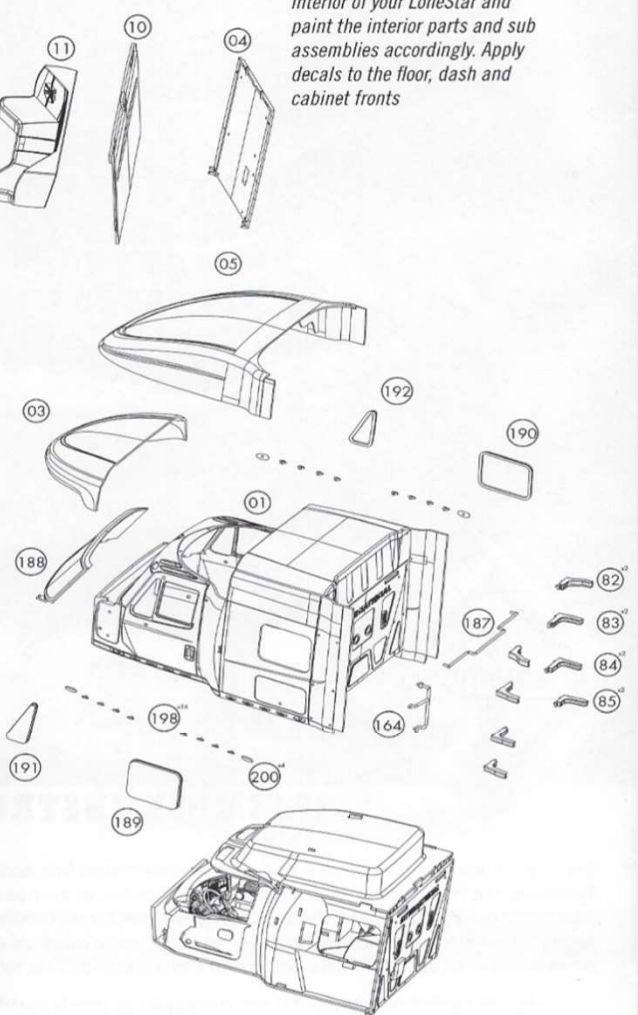


1. Cement the Dash Assembly – parts #92, #93, & #94 together
2. Cement Seat Base Assemblies - Parts #102 & #103 Left and #104 & #105 Right together
3. Cement Seats - parts #101 & #214 Left and #100 & #213 right together

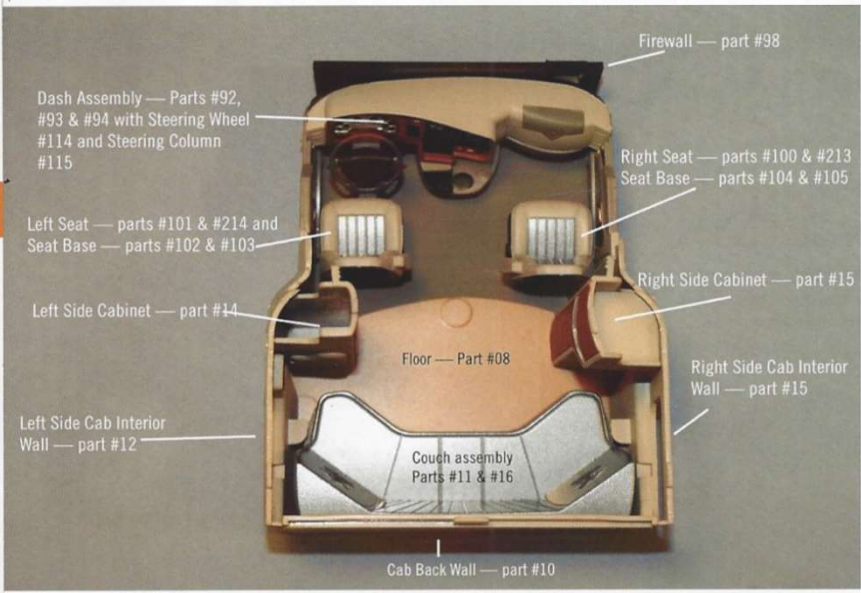
*Determine color scheme for the interior of your LoneStar and paint the interior parts and sub assemblies accordingly. Apply decals to the floor, dash and cabinet fronts*

4. Cement Right Side Cabinet –part #15 to Right Wall #13 and Left Side Cabinet – part #14 to Left Wall #12
5. Cement Couch – part #11 to Couch Base – part #16
6. Assemble Cab Interior by cementing the Dash Assembly to the Floor – part #8 followed by Couch Assembly – parts 11 & 16, then the Left and Right Walls #13 & #12 and the Rear Wall – part #10. **Take your time and make sure that everything fits together tightly**

7. Finish the Cab Interior Assembly by cementing the Steering Wheel – part #114 and Steering Column – part #115 in place followed by Seat Bases and Seats. Then cement the Interior Ceiling – part #09 and Firewall part #98 in place



8. Cement the Sleeper Front part #03 to the Cab Body – part #01  
*Determine color scheme for your truck now and paint the body parts – don't forget the hood, fenders and cab back panel. Now is also the time to paint all the little lenses that adorn the cab, air cleaners and sunshade. #198 should be white only on their back surfaces and #200 should be Turn Signal Amber overall*
9. Cement Cab Bottom Light Lenses- parts #198 and parts #200 in place
10. Cement Windshield - part #188 and Windows – parts #189, #190, #191, #192 into the cab
11. Cement Interior Assembly into Cab and cement Cab Back Panel – part #04 in place
12. Cement Cab Fairing Braces - parts #82, #83, #84, & #85 and Slide Rail - part #187 as well as Grab Bar- part #164 in place



Firewall — part #98

Dash Assembly — Parts #92, #93 & #94 with Steering Wheel #114 and Steering Column #115

Right Seat — parts #100 & #213  
Seat Base — parts #104 & #105

Left Seat — parts #101 & #214 and  
Seat Base — parts #102 & #103

Right Side Cabinet — part #15

Left Side Cabinet — part #14

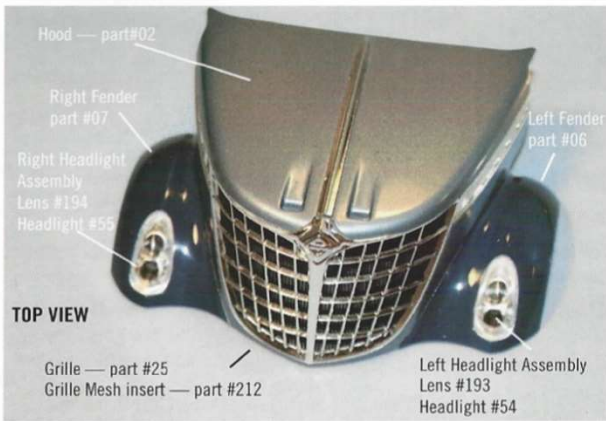
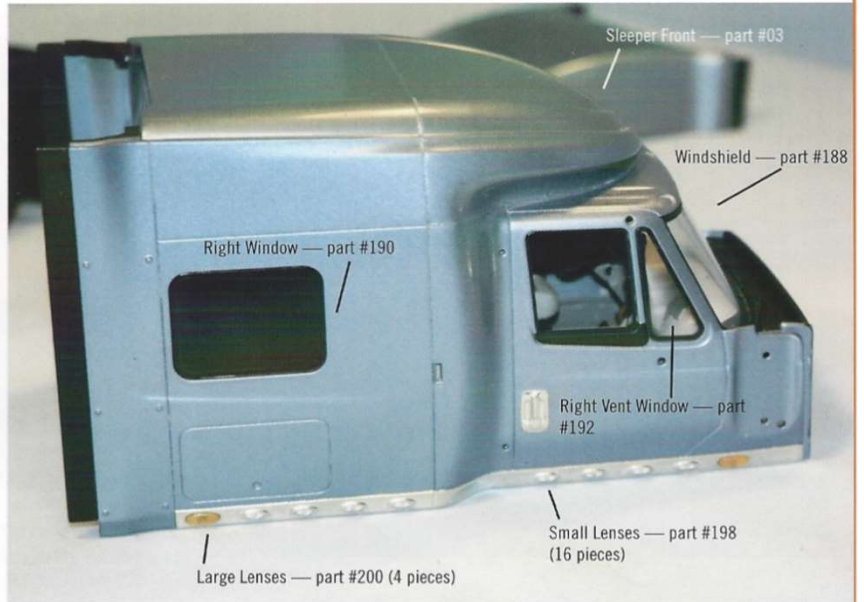
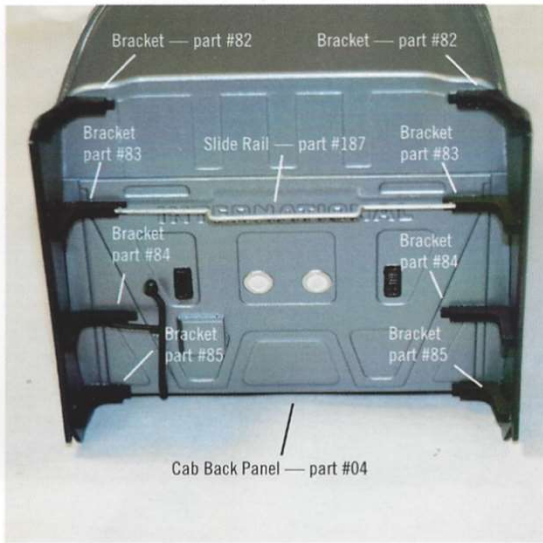
Floor — Part #08

Right Side Cab Interior  
Wall — part #15

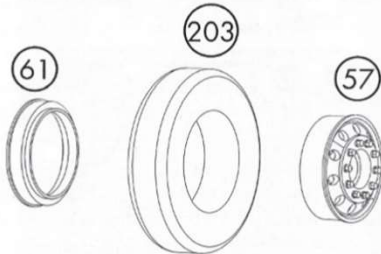
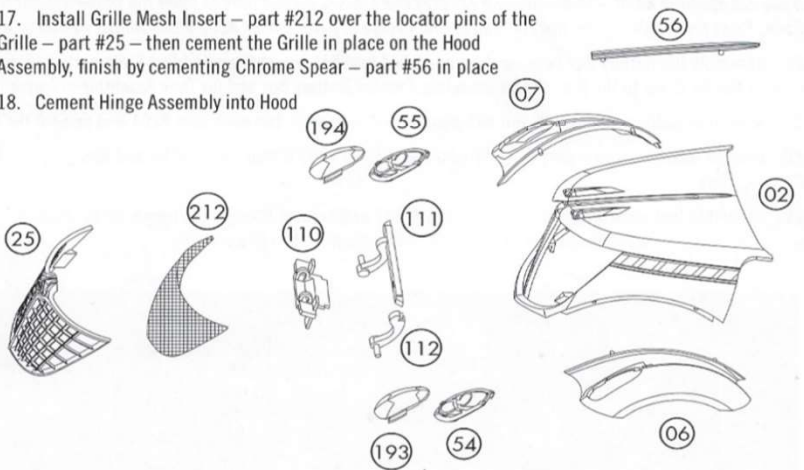
Left Side Cab Interior  
Wall — part #12

Couch assembly  
Parts #11 & #16

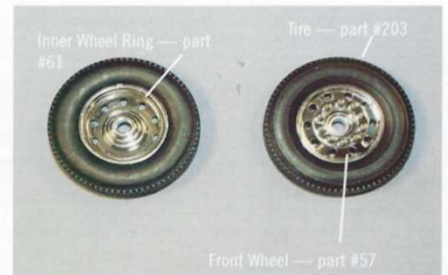
Cab Back Wall — part #10

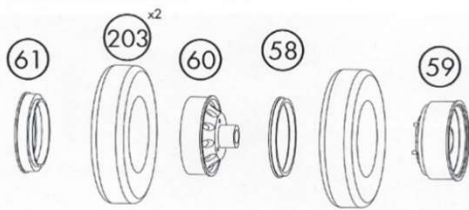


13. Cab Top Fairing — part #05 can be attached now — or can be kept as a loose item to be displayed in place as an option.
14. Cement Left Fender — part #06 and Right Fender — part #07 to Hood — part #02
15. Insert Hinge - parts #111 and #112 into the Hinge Cross Member — part #110 and cement #112 to #111 — lay the Hinge Assembly aside for now
16. Carefully insert the Headlight Lenses — parts #193 left and #194 right into the fenders from the inside and cement them in place then cement Headlights — part #54 left and #55 right in place
17. Install Grille Mesh Insert — part #212 over the locator pins of the Grille — part #25 — then cement the Grille in place on the Hood Assembly, finish by cementing Chrome Spear — part #56 in place
18. Cement Hinge Assembly into Hood



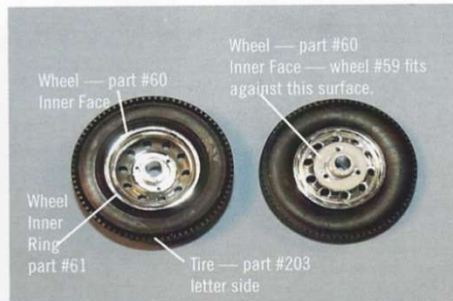
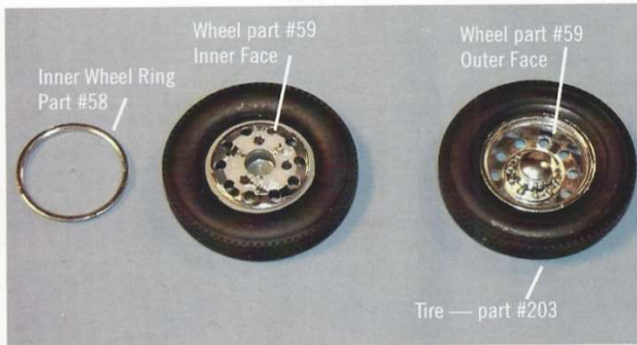
19. Insert Front Wheel — part #57 into Tire part #203 **Make sure that lettered side of tire is on outside of wheel** then cement Inner Wheel Ring — part #61 in place — repeat with second Front Wheel Assembly





20. Insert Inner Wheel — part #60 into Tire — part #203 **Make sure that lettered side of tire faces away from part #60** cement Inner Wheel Ring — part #61 in place

21. Insert Outer Wheel — part #59 into Tire — part #203 **Make sure that the lettered side of the tire faces out.** Cement Inner Wheel Ring — part #58 in place. Then assemble the Rear Wheel Pair by inserting the Inner Wheel #60 into the Outer Wheel #59 make sure that the holes the two wheels line up when done. Repeat these steps to make four sets of Rear Wheel Pairs.



22. Cement Frame Cross Members four each part #69 and parts #158, #159 and #160 to the Left Frame Rail — part #86 then cement Right Frame Rail — part #87 to each of the Cross Members. **NOTE! This is a critical assembly step — make sure that each cross member is properly located and that the entire assembly is square and level when completed**

23. Cement four each Suspension Hangers — part #72 two each Rear Cab Mounts — part #76 and Front Cab Mounts— part #168 Left and #169 Right to the Frame Assembly **Make sure that cab supports are properly aligned by test fitting the frame assembly to the cab floor.**

24. Cement Front Springs — part #157 left and part #156 right and Front Shock Absorbers — part #171 left and #172 right along with Steering Box — part #157 to the Frame Assembly

25. Cement Rear Drive Axle Shock Absorbers part #175 left and #176 right and Front Drive Axle Shock Absorbers — part #173 left and #174 right to the Frame Assembly

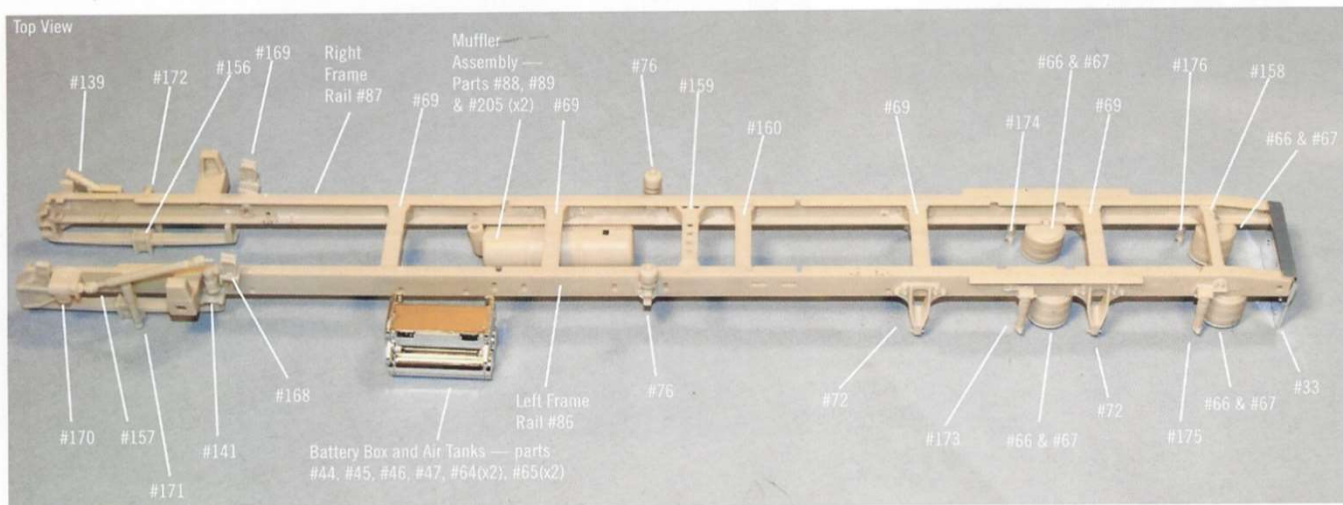
If you are applying paint with an airbrush or spray cans this is a good time to paint the frame assembly, as all the components assembled to this point are the same color on the real truck. Paint Lenses #195,196 and 201 amber and decide to paint lenses #202 either Amber overall or white only on their back surfaces

26. Assemble the Battery Box by cementing parts #44 and #45 together and adding Ends parts #46 and #47 assemble two Air Tanks by cementing parts #64 and #65 together and cement the Air Tanks to the Battery Box assembly. Cement Battery Box and Air Tank Assembly to Frame

27. Assemble Muffler — parts #88 and #89 add Muffler Hangers — two each part #204 and cement the Muffler Assembly to the Frame.

28. Cement Moisture Trap — part #141, Windshield Washer Fluid Bottle — part #139 and Rear Chassis Plate — part #33 in place and add three Small Lenses — part #81 to the Rear Chassis Plate.

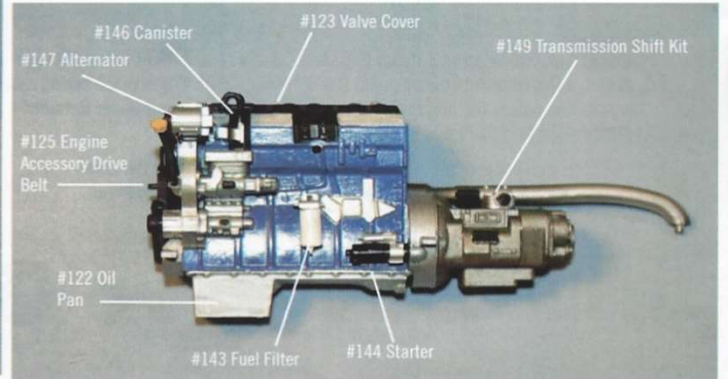
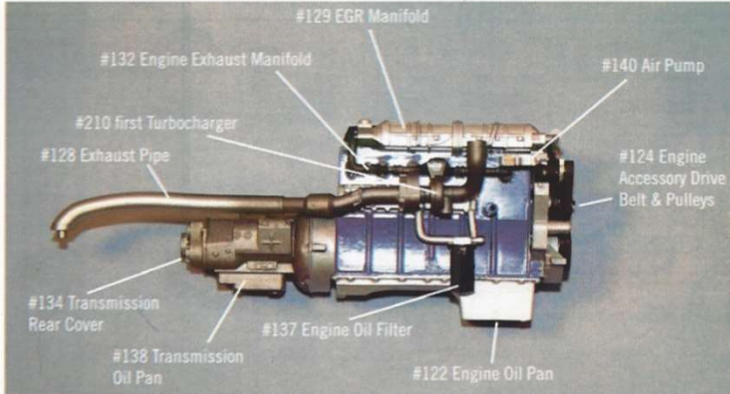
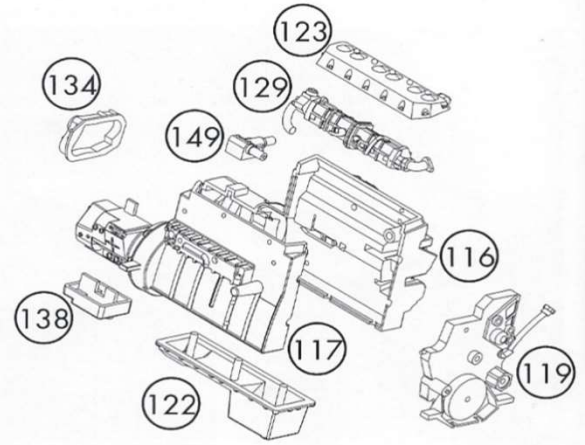
29. Assemble four each Air Springs — parts #66 & #67 and cement them to the frame. **NOTE! Part #67 is the OUTER half of each Air Spring MAKE SURE that the Air Springs are correctly located on the frame in order for the rear suspension to fit correctly**





We suggest that you paint individual engine parts before assembly

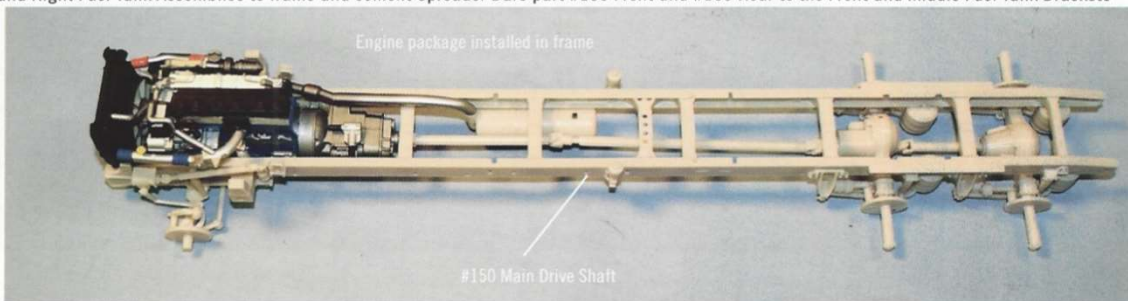
39. Cement Engine Halves – parts #116 and #117 together, then add Oil Pan – part #122, Transmission Oil Pan – part #138, Transmission Rear Cover – part #134, Engine Front – part #119, Valve Cover – part #123 EGR Manifold – part #129 and Transmission Shift Pack – part #149.
40. Cement Exhaust Manifold – part #132 Oil Filter – part #137, and Turbochargers with Inter Cooler – parts # 210, #128 & #131 to right side of Engine
41. Cement Engine Front Cross Member – part # 133 to Front Cover of Engine and add Air Horn – part #148, then attach Engine Belts – parts #125 and 125 Pump – part #141 Alternator – part # 147 and Upper Radiator Hose – part #135 to front of Engine
42. Cement Starter – part #144, Fuel Filter – part #143 and Canister –part #146 to left side of Engine.
43. Assemble Radiator by cementing Shroud – part #120 to Radiator Core – part #121 and Radiator Core to Radiator Front – part #118, then add Coolant Bottles – parts #142 and #145 – insert Fan- part #130 into Radiator Shroud
44. Complete Engine Package by cementing Turbocharger Air Duct – part #127 to the right side of the Engine and Radiator Assembly, cement Fan to Engine Pulley, then cement Cold Air Duct – part #126 between Radiator Assembly and left side of Engine. Finish by cementing EGR Pipe – part # 136 between EGR Manifold and Cold Air Duct

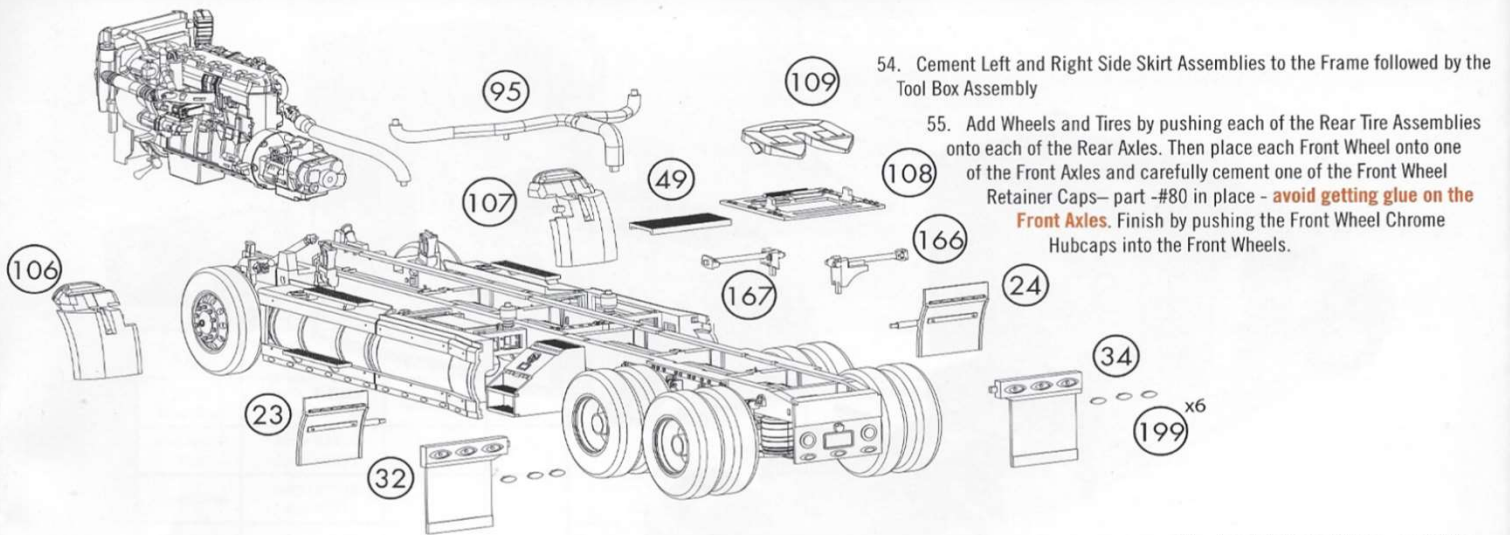


45. Cement the Main Drive Shaft – part #150 to the Front Drive Axle and locate the amid ship bearing tab in the appropriate Frame Cross Member
46. Carefully spread the front Frame Rails and slide the completed Engine and Radiator Package into place – make sure that the Engine Exhaust Pipe fits into the Muffler, that the Main Drive Shaft fits into the Transmission and that the Radiator fits down into the locator slots in the front of the Frame – cement the Engine Assembly in place.
47. Cement Lower Front Fenders – Part #106 Left and #107 Right to frame
48. Cement Front Drive Axle Torque Link – part #167 and Rear Drive Axle Torque Link – part #166 in place
49. Assemble Fifth Wheel – part #109 to Slider Plate – part #108 and cement the assembly in place on the Frame – then cement Deck Plate – part #49 in place



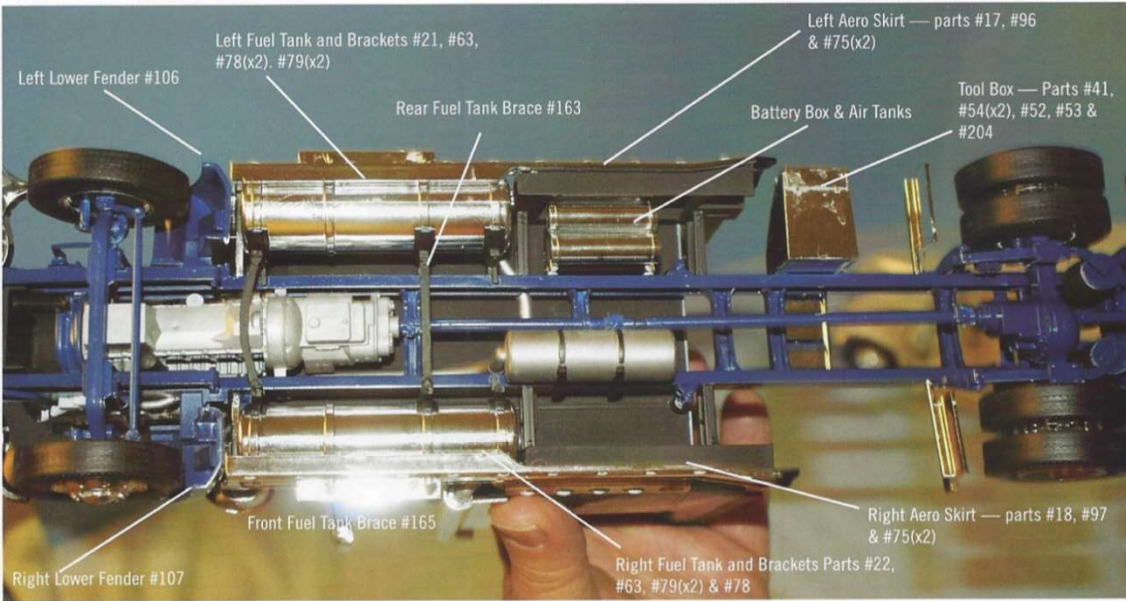
50. Assemble Tool Box - parts # 41 Box, #204 Back, two #52 Steps and part #53 Top Step
51. Assemble Fuel Tanks and Brackets - Left Tank – parts #63 Outer Half, #21 inner half two each parts #79 front and rear brackets and part # 78 center bracket and right tank – parts #63 outer half, #22 inner half two each parts #79 front and rear brackets and part # 78 center bracket
52. Assemble Skirts – Left Skirt – part #17 Inner Support #96 Frame Mounting Brackets – two each #75 Lower Step – part #51, Upper Step – part #50 and Fuel Filler – part #63 Repeat with Right Skirt – part #18 Inner Support #97. Frame Mounting Brackets – two each #75 Lower Step – part #209, Upper Step – part #208 and Fuel Filler – part #63
53. Cement both Left and Right Fuel Tank Assemblies to frame and cement Spreader Bars part #165 Front and #163 Rear to the Front and Middle Fuel Tank Brackets





54. Cement Left and Right Side Skirt Assemblies to the Frame followed by the Tool Box Assembly

55. Add Wheels and Tires by pushing each of the Rear Tire Assemblies onto each of the Rear Axles. Then place each Front Wheel onto one of the Front Axles and carefully cement one of the Front Wheel Retainer Caps— part -#80 in place - **avoid getting glue on the Front Axles**. Finish by pushing the Front Wheel Chrome Hubcaps into the Front Wheels.



56. Insert Exhaust Y Pipe — part #95 into Muffler

57. Make sure that the Steering Column locator pin is inserted in the locator hole of the Firewall then carefully cement the Cab Assembly to the Front Cab Supports and Rear Cab Supports on the Frame **Pay attention that all four of the Cab Supports fit into the floor of the cab as they should**

58. Assemble Fresh Air Duct — parts #99 & #113 and cement in place to inside of Cab and top of Turbocharger on Engine

59. Cement Hood Hinge Cross Member — to front of Frame to install Hood

60. Cement two Fog light Lenses #72 to two Fog Lights — part #48 then install them into the Front Bumper from the back of the bumper

61. Cement Front Bumper Assembly to the Hood Hinge Cross Member

62. Assemble Left Exhaust Stack and Shroud —parts #19, #37 & #38 Repeat with Right Exhaust Stack and Shroud - parts # 20, #39 & #40 The Cement Exhaust Stack Assemblies to Cab making sure that bottoms of stacks fit onto pins of Y-Pipe

63. Paint Lenses #195,196 and 201 Turn Signal Amber and decide to paint Lenses #202 either Amber overall or White only on their back surfaces. Paint Lenses #199 Stoplight Red

64. Assemble Left Air Cleaner — parts #28, #29, #215 and Lenses — parts #201 — repeat with Right Air Cleaner — parts #30, #31, #216 and Lenses — parts #201 Cement each Air Cleaner Assembly to Cab

65. Assemble Left Mirror —parts #26, #42 and Lens — part #195 — repeat with Right Mirror — parts #27, #43 and Lens — part #196 — Install Mirror Assemblies to Cab Doors

66. Cement Lenses #202 to Sun Visor — part #36 and cement the Sun Visor in place on the Cab

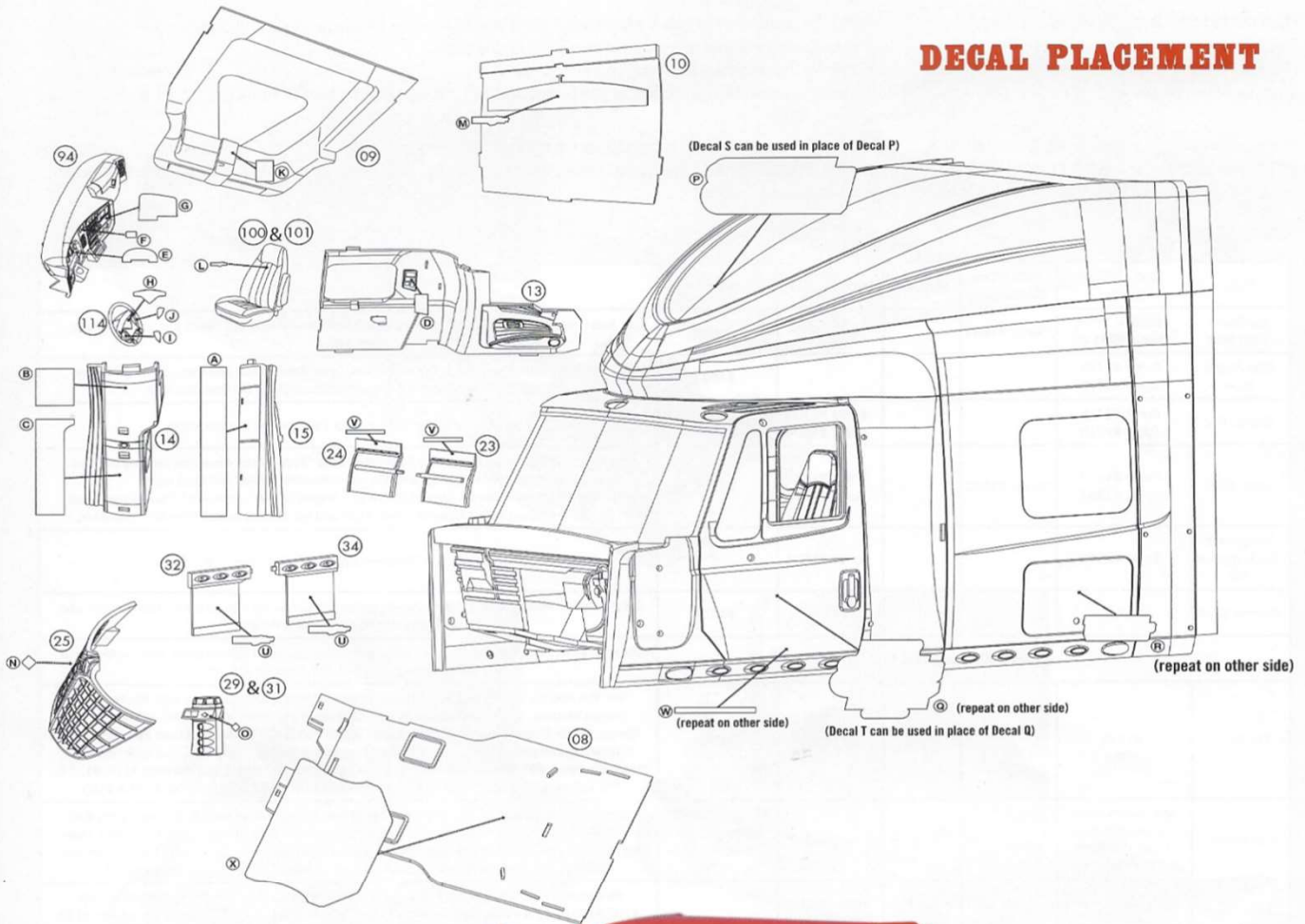
67. Cement Windshield Wipers #91 —Left and #90 Right in place

68. Cement Tail Light Lenses — part # 199 in place on Rear Mud Flap Support Bars— Left — part #32 and Right —part #34 — cement Rear Mud Flaps in place on Frame

69. Cement Front Mud Flaps — parts #23 & #24 in place on Frame



# DECAL PLACEMENT





# PAINTING SUGGESTIONS

Paint colors listed in this chart are chosen for their availability in the Testors line of hobby paints which are made specifically for use on plastic models. These colors are approximations of the actual colors seen on real LoneStar trucks and may not match the actual colors. Feel free to substitute any colors that you feel are more accurate for the particular truck that you wish to build. If you wish to use paints designed for automotive applications please test them on scraps of plastic from the kit before you apply them to kit parts

To see actual paint schemes used on the LoneStar, it may be best to search online. An image search through any popular search engine should yield plenty of results. One of the best places to see authentic LoneStar photos is at [www.internationaltrucks.com/Trucks/Trucks/Series/LoneStar](http://www.internationaltrucks.com/Trucks/Trucks/Series/LoneStar). This is the official Navistar site which offers actual sales brochures, and a feature that allows you to virtually build your own LoneStar!

Color	Model Master Enamel	Testors One Coat Lacquer	Metalizer	Testors Enamel	Testors Acryl	Parts to be painted
Ice Blue / Silver Blue	Bottle # 2728 Spray #28145	Spray #1844				Cab, Aero Fairing and Cab Back Panel for two tone Blue truck, and also seat inserts and sofa upholstery for Blue truck.
Blue Angels Blue	Bottle #1772 Spray #1972				#4687	Front Fenders, Frame, Hood Hinge, Axle Assemblies, Drive Shafts, Shock Absorbers, Steering Box tops and bottoms of Air Springs and Fifth Wheel Assembly for two tone Blue truck.
Guards Red	Bottle #2718 Spray #2918			Bottle #1103 Spray #1204	#4630	Cab, Hood, Aero Fairing and Cab Back Panel for Red and Black truck.
Gloss Black	Bottle #1747 Spray #1947	Spray #1832		Bottle #1147 Spray #1247	#4695	Front Fenders, Hood Hinge, Frame, Axle Assemblies, Drive Shafts, Shock Absorbers, Steering Box tops and bottoms of Air Springs and Fifth wheel assembly for Red and Black truck. Engine Accessory Drive Pulleys – parts #125 & #125, Engine Oil filter – part #137, Pump Body – Part #140, Cap of Engine Coolant Reservoir – part #142 and top of Small coolant reservoir – part #145.
Transparent Black Window Tint	Spray #2949			Spray #1634		Inner Surface of Sleeper windows – parts #189 & #190.
Chrome Silver	#2734			#1146	#4678	Chrome trim on Hood side and Chrome Panels, below doors, LoneStar logo on doors, Door Handles, and trim around lights on Cab Back Panel
Bare Metal chrome foil						Chrome trim on Hood side and Chrome Panels, below doors, LoneStar logo on doors, Door Handles, and trim around lights on Cab Back Panel instead of paint.
Flat Black	#1749			#1149	#4768	Door trim around Cab Windows, Raised frame of Windshield and inner flanges of Vent Windows and Sleeper Windows, bottom of Floor part #08 Inside of Hood and Front Fenders Inside of Cab around Firewall, Muffler Brackets -parts #205 Windshield Wipers #90 & #91 Front part of Dash #94, Recesses between bars on sides of Grille - part #25, Fuel Tank Fairing Brackets - parts #75, Fuel Tank Fairing Inner Parts #96 & #97, Firewall - part #98, Fresh Air pipes parts #99 & #113, Radiator parts #118, #120 & #121, Engine Valve Cover - part #126, Canister - part #146 and Fuel Tank Braces #163 & #165
Flat Rubber	Mix 3 parts Burnt Umber #2005 & 1 part Flat Black #1749			#1183	Mix 3 parts Burnt Umber #4605 & 1 part Flat Black #4768	Rubber Flaps at back edge of cab and back edge of Roof Fairing, Rubber portions of fenders parts #23 & #24, Rubber portions of mud flaps #32 & #34, rubber portion of Air Springs - parts #66 & #67, Outer ring of Fuel Fillers Part #68, Rubber air bags on Rear Cab, Damper Brackets parts #76, Engine Accessory Drive Belts - parts #124 & #125 and Splash apron at bottom of right Engine Air Pipe part #127
Semi-Gloss Black	#2740			Mix equal parts #1147 & #1149	#4700	Rear Caps of Side Skirts #17 & #18, Cab Fairing Brackets #82, #83, #84 & #85, Seat base parts #102, #103, #104 & #105, Front segments Engine Air Pipes #126 & #127, Oil Filler tube on part #119, Cap of Windshield Washer reservoir #139, Starter Part #144, Bracket of Alternator - part #147, Air Horn - part #148, Grab Bar #164 and Solenoids on part #149
Cobalt Blue	#2012			#1110	#4612	Couplers on Left Engine Air Pipe – part #126.
Dark Blue	#2726			#1111	#4661	Engine Block – parts #116 & #117.
Flat White	#1768 or #2725			#1158	#4769	Window Washer Reservoir – part #139.
Gloss White	#1785 or #2943			#1145	#1696	Fuel Filter – part #143, Bowl of Water Trap – #141, Back surfaces of Lenses #198 and optional color for lenses #202.
Aluminum	#1781		Aluminum #1418	#1181	#4677	Muffler - parts #88 & #89, Exhaust Pipe part #95, center of fuel fillers – parts #68, Engine Cylinder Head and Bell Housing - parts #116 & #117, Engine Front - part #119, Engine Oil Pan - part #122, Engine Air Pipes – parts #126 & #127, rear section of Exhaust Pipe – part #128, EGR manifold #129 Intercooler section of part #131, Upper Radiator pipe #135 & EGR tube #136, Base of Engine Oil Filter #137, Water trap #141, Fuel Filter #143, Brackets of Pump #140 and Canister #146 and Alternator - part #147.
Steel	#1780		#1420	#1180	#4679	Bottom ring of Air Springs – parts #66 & #67, Ring around bottom of air bags on rear Cab Dampers – parts #76, transmission – parts #116, #117, #134 & #138 and Transmission Shift Pack housing - #149
Burnt Metal	#1796		Burnt Iron #1421		#4676	Front section of Exhaust Pipe – part #128, Turbocharger section – part #131, Exhaust Manifold – part #132 and Turbocharger – part #210.
Rust	#1785			#1185	#4675	Use to match color of rosewood decals around instrument cluster on dash.
Yellow	#1707			#1114	#4683	Cap of Oil filter tube on Engine front – part #119.
Dark Ghost Gray	#1741				#4761	Interior light color walls, cabinet sides and ceiling.
Light Gray	#1732				#4765	Fan – part #130, Engine Coolant Reservoir – part #142 and Small Coolant Reservoir – part #145.
Gunship Gray	#1723				#4752	Interior dark color bottom of dash seat and door inserts and sofa for Red and Black truck. Steering column and steering wheel
Euro 1 Gray	#1788				#4750	Interior carpeted areas of floor and bottom of door panels.
Orange	#2022			#1127	#4677	Couplers on Right Engine Air Pipe – part #127.
Tum Signal Amber	#2723				#4624	Lenses #195, #196, #200 & #201 and optional color for lenses #202.
Stoplight Red	#2724				#4633	Lenses #199.